

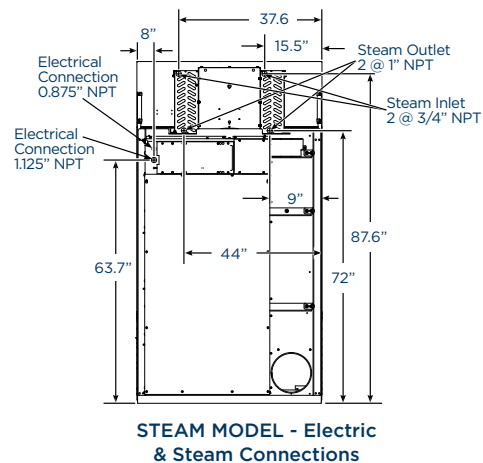
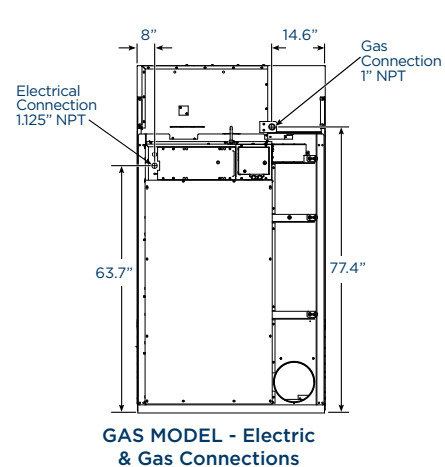
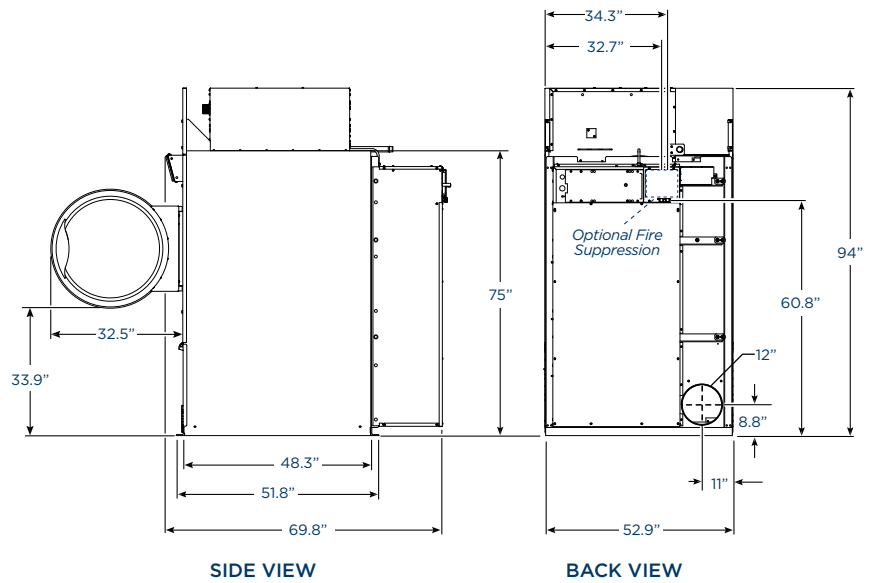
CG165-175

PRO-SERIES II DRYING TUMBLER

Revised 2018 (Starting Serial #1804)

PRODUCT SPECS	
Capacity <i>lbs</i>	up to 175
Cylinder Diameter <i>inch</i>	50.8
Cylinder Depth <i>inch</i>	42.5
Cylinder Volume <i>cu ft</i>	49.8
Net Weight <i>lbs</i>	
Gas	1400
Steam	1550
Crated Weight <i>lbs (standard packaging)</i>	
Gas	1480
Steam	1630
Machine Width <i>inch</i>	53.12
Machine Depth <i>inch</i>	68.85
Machine Height <i>inch</i>	94
Door Opening <i>inch</i>	27
Floor to Door <i>inch</i>	33.9
Shipping Dimensions <i>inch</i> WxDxH	52.1 x 73.8 x 99
Exhaust Diameter <i>inch</i>	12
Exhaust Air Flow <i>cfm</i>	2150
Exhaust Back Pressure (max) <i>WCI</i>	0.8
Required Makeup Air <i>sq in</i>	525
Gas Connection <i>inch</i>	1 NPT
Gas Heating <i>BTU/h</i>	395,000
Gas Pressure (max/recommended/min)	
Natural Gas <i>wc</i>	10.5 / 6.5 / 5
Propane <i>wc</i>	13 / 11 / 10
Steam Connection <i>inch</i>	3/4 NPT
Condensate Outlet Connection <i>inch</i>	1 NPT
Steam Heating <i>BTU/h</i> at 100 PSI	265,500
BHP Consumption <i>BHP</i> at 100 PSI	18.8

GAS/STEAM MODELS			
AVAILABLE VOLTAGES	WIRE CONDUCTOR	FULL LOAD AMPS	RECOMMENDED BREAKER SIZE
200-240/50-60/3	3W+G	11	15
380-415/50-60/3	3W+G	7	15
440-480/50-60/3	3W+G	6	15



* Specifications subject to change without notice or obligation. Contact Continental Girbau at (800) 256-1073 for dimensions not shown or for clarification.