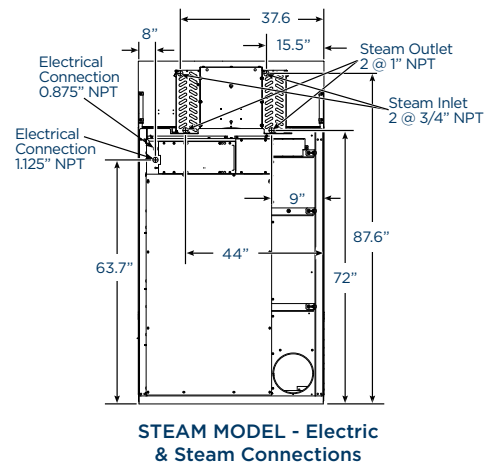
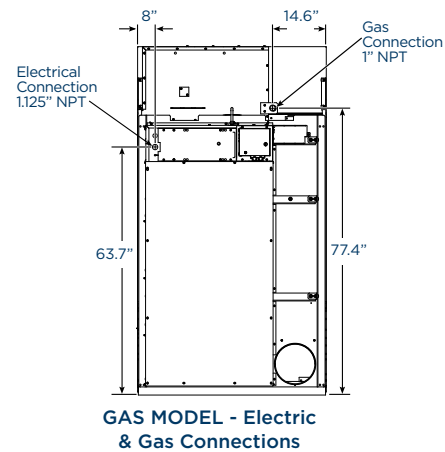
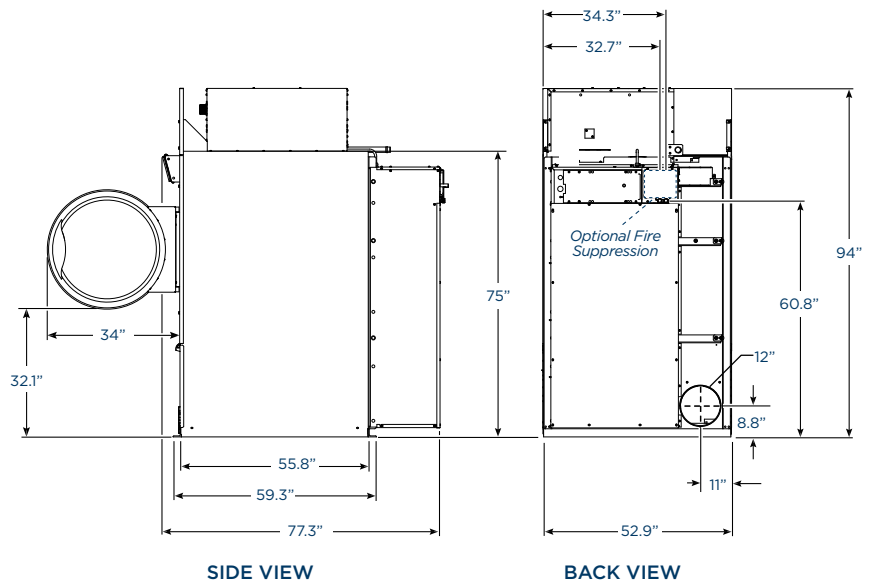


# CG195-205

## PRO-SERIES II DRYING TUMBLER

Revised 2018 (Starting Serial #1804)

PRODUCT SPECS	
Capacity <i>lbs</i>	up to 205
Cylinder Diameter <i>inch</i>	50.75
Cylinder Depth <i>inch</i>	50
Cylinder Volume <i>cu ft</i>	58.5
Net Weight <i>lbs</i>	
Gas	1550
Steam	1700
Crated Weight <i>lbs</i>	
Gas	1820
Steam	1970
Machine Width <i>inch</i>	53.12
Machine Depth <i>inch</i>	76.35
Machine Height <i>inch</i>	94
Door Opening <i>inch</i>	26.89
Floor to Door <i>inch</i>	33.86
Shipping Dimensions <i>inch</i> WxDxH	55.63 x 81.25 x 99
Exhaust Diameter <i>inch</i>	12
Exhaust Air Flow <i>cfm</i>	2450
Exhaust Back Pressure (max) <i>WCI</i>	0.8
Required Makeup Air <i>sq in</i>	525
Gas Connection <i>inch</i>	1 NPT
Gas Heating <i>BTU/h</i>	425,000
Gas Pressure (max/recommended/min)	
Natural Gas <i>wc</i>	10.5 / 6.5 / 5
Propane <i>wc</i>	13 / 11 / 10
Steam Connection <i>inch</i>	3/4 NPT
Condensate Outlet Connection <i>inch</i>	1 NPT
Steam Heating <i>BTU/h</i> at 100 PSI	648,000
BHP Consumption <i>BHP</i> at 100 PSI	18.8



GAS/STEAM MODELS			
AVAILABLE VOLTAGES	WIRE CONDUCTOR	FULL LOAD AMPS	RECOMMENDED BREAKER SIZE
200-240/50-60/3	3W+G	12	15
380-415/50-60/3	3W+G	7	15
440-480/50-60/3	3W+G	6	15

\* Specifications subject to change without notice or obligation. Contact Continental Girbau at (800) 256-1073 for dimensions not shown or for clarification.