

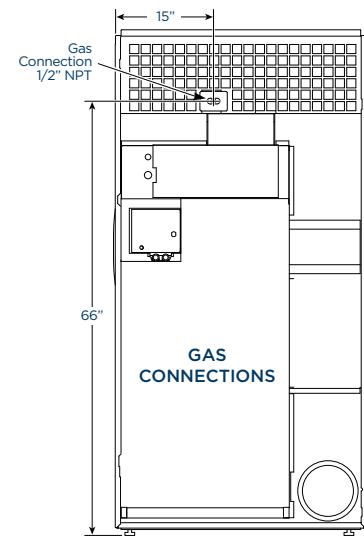
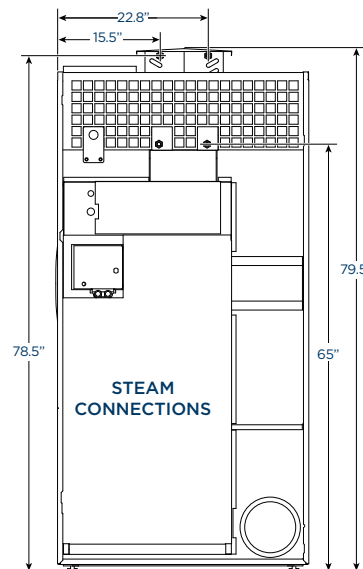
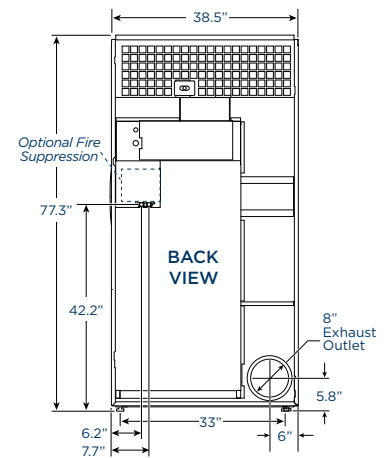
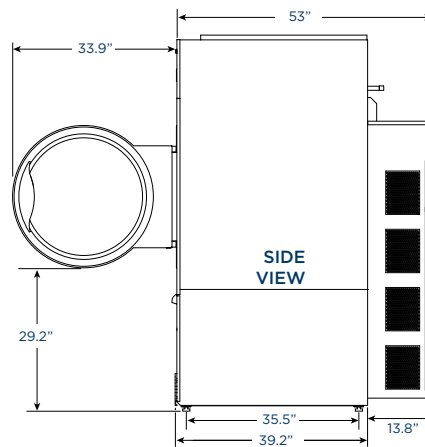
CG75-85

ProDry2 Drying Tumbler

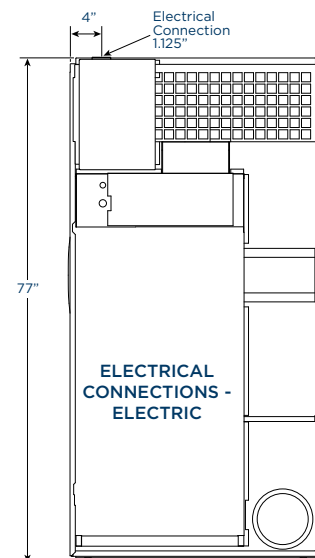
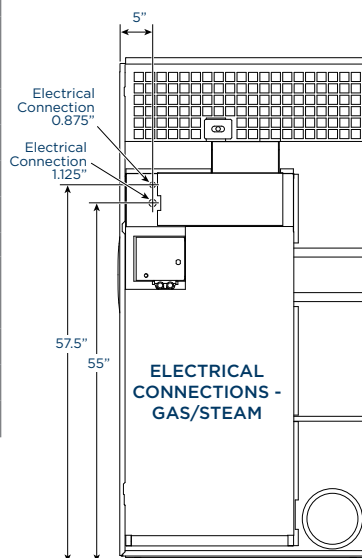
ARCHITECTURAL/MECHANICAL
PRODUCT SPECIFICATIONS

ProDry2

PRODUCT SPECS	
Capacity <i>lbs</i>	up to 75
Cylinder Diameter <i>inch</i>	37
Cylinder Depth <i>inch</i>	36
Cylinder Volume <i>cu ft</i>	22.4
Net Weight <i>lbs</i>	
Gas	680
Steam	720
Crated Weight <i>lbs</i>	
Gas	730
Steam	770
Machine Width <i>inch</i>	38.5
Machine Depth <i>inch</i>	53
Machine Height <i>inch</i>	77.3
Door Opening <i>inch</i>	27
Floor to Door <i>inch</i>	29.2
Shipping Dimensions <i>inch</i> WxDxH	41.5 x 56 x 81
Exhaust Diameter <i>inch</i>	8
Exhaust Air Flow <i>cfm</i>	800
Exhaust Back Pressure (max) <i>WCI</i>	0.5
Required Makeup Air <i>sq in</i>	195
Electric Heating <i>kW</i>	36
Gas Connection <i>inch</i>	1/2 NPT
Gas Heating <i>BTU/h</i>	165,000
Gas Pressure (max/recommended/min)	
Natural Gas <i>wc</i>	10.5 / 6.5 / 5
Propane <i>wc</i>	13 / 11 / 10
Steam Connection <i>inch</i>	3/4 NPT
Steam Heating <i>BTU/h</i> at 100 PSI	133,900
BHP Consumption <i>BHP</i> at 100 PSI	6.1



GAS/STEAM MODELS				
AVAILABLE VOLTAGES	WIRE CONDUCTOR	FULL LOAD AMPS	RECOMMENDED BREAKER SIZE	
120/50-60/1	1W+N+G	13.8	15	
200-208/240/50-60/1	2W+G	7.6	15	
200-208/240/50-60/3	3W+G	3.8	15	
460-480/50-60/3	3W+G	1.9	15	
ELECTRIC MODELS - CLASSIC 36 kW				
AVAILABLE VOLTAGES	WIRE CONDUCTOR	FULL LOAD AMPS	RECOMMENDED BREAKER SIZE	
200-208/50-60/3	3W+G	89	125	
240/50-60/3	3W+G	79	100	
480/50-60/3	3W+G	38	50	



* Specifications subject to change without notice or obligation. Contact Continental Girbau at (800) 256-1073 for dimensions not shown or for clarification.

cglaundry.com • (800) 256-1073
2500 State Road 44 • Oshkosh, WI 54904

CONTINENTAL
GIRBAU®