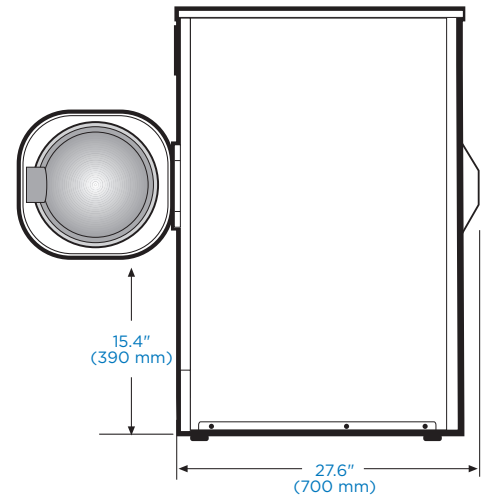
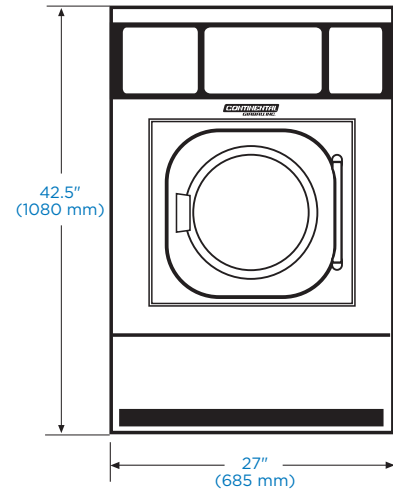


# EHO20

## ON-PREMISE E-SERIES SOFT-MOUNT WASHER-EXTRACTOR

|   |                            |
|---|----------------------------|
| Capacity <i>lbs</i>                           | 20                         |
| Cylinder Diameter <i>inch</i>                 | 21.1                       |
| Cylinder Depth <i>inch</i>                    | 13.8                       |
| Cylinder Volume <i>cu ft</i>                  | 2.8                        |
| Net Weight <i>lbs</i>                         | 249                        |
| Crated Weight <i>lbs</i>                      | 271                        |
| Machine Dimensions <i>inch</i><br>WxDxH       | 27 x 27.6 x 42.5           |
| Door Opening <i>inch</i>                      | 12.7                       |
| Floor to Door <i>inch</i>                     | 15.4                       |
| Shipping Dimensions <i>inch</i><br>WxDxH      | 28.3 x 29.1 x 47.7         |
| Washing Speed <i>rpm</i>                      | 50                         |
| Spin Speed <i>rpm</i>                         | 50/100/400/600/800/970     |
| G-force                                       | 0.75/3/49/108/192/300      |
| Static Force Transmitted <i>lbs</i>           | 340                        |
| Dynamic Force Transmitted <i>lbs</i>          | 115                        |
| Frequency of Dynamic Force <i>Hz</i>          | 16.2                       |
| Available Voltages/Wire Conductor/Amp         |                            |
| Hot Water (standard)                          | 120/60/1, 3-prong cord, 15 |
| Hot Water (standard)                          | 208-240/60/1, 2W+G, 5      |
| Electric Auxiliary Heat (optional)            | 208-240/60/1, 2W+G, 20     |
| Electric Auxiliary Heat (optional)            | 208-240/60/3, 3W+G, 20     |
| Modified Energy Factor (MEF)                  | 2.21                       |
| Water Consumption Factor (WCF)                | 5.03                       |
| Drain Diameter <i>inch</i>                    |                            |
| Pump Drain                                    | 1                          |
| Gravity Drain                                 | 2                          |
| Water Inlets <i>inch</i>                      | 3/4                        |
| Recommended Water Pressure <i>PSI</i>         | 30-60                      |
| Water Flow <i>gal/min</i>                     | 8                          |
| Total Power <i>kW</i>                         | 0.8                        |
| Electrical Heating Power (optional) <i>kW</i> | 4.3                        |



\* Specifications subject to change without notice or obligation. Contact Poseidon Textile Care at (800) 256-1073 for dimensions not shown or for clarification.

\* Modified Energy Factor (MEF) measured in cubic feet per kilowatt-hour per cycle. Water Consumption Factor (WCF) measured in gallons per cycle per cubic feet. MEF and WCF statistics are according to DOE test results report by Intertek, an independent testing laboratory, dated February 27, 2007.

