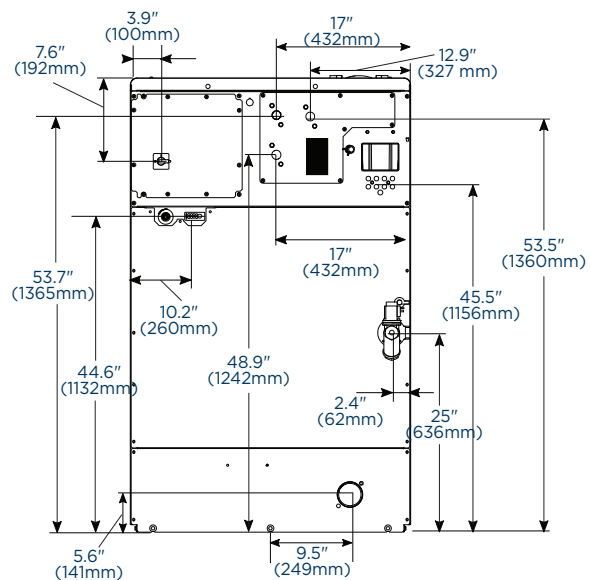
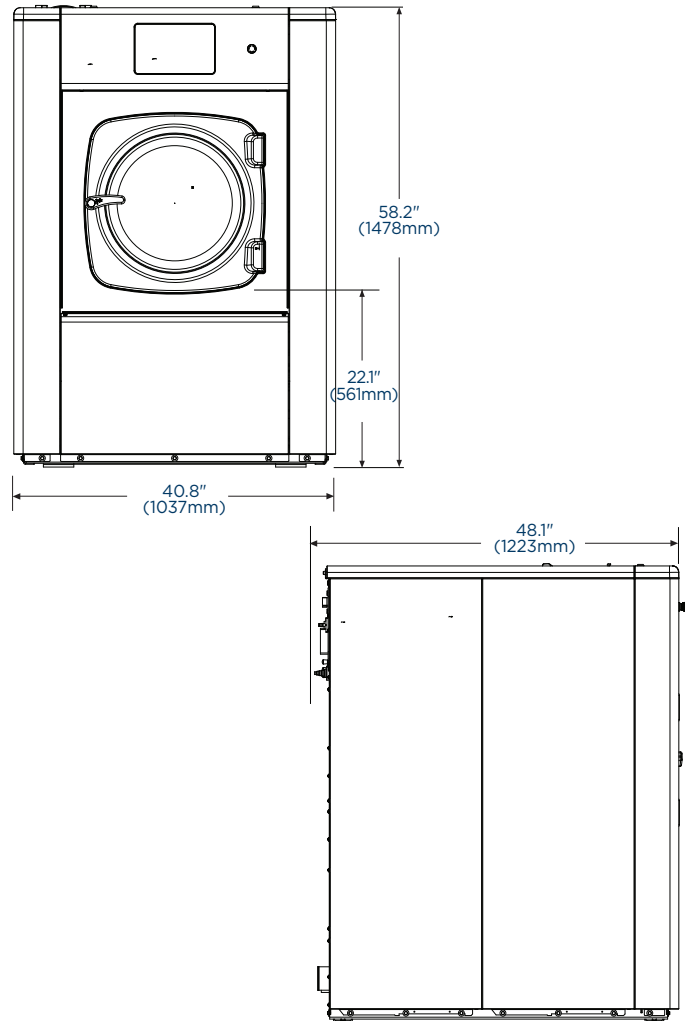


# GS080

## GENIUS SERIES SOFT-MOUNT WASHER-EXTRACTOR

Capacity <i>lbs</i>	80
Cylinder Diameter <i>inch</i>	32.5
Cylinder Depth <i>inch</i>	23.5
Cylinder Volume <i>cu ft</i>	11.3
Net Weight <i>lbs</i>	1477
Crated Weight <i>lbs</i>	1559
Machine Dimensions <i>inch</i> WxDxH	40.8 x 49.2 x 58.2
Door Opening <i>inch</i>	18.5
Floor to Door <i>inch</i>	22.1
Shipping Dimensions <i>inch</i> WxDxH	41.9 x 52.1 x 65.4
Washing Speeds <i>rpm</i>	42
Spin Speeds <i>rpm</i>	987
G-force	450
Static Force Transmitted <i>lbs</i>	1828
Dynamic Force Transmitted <i>lbs</i>	463
Frequency of Dynamic Force <i>Hz</i>	15.5
Available Voltages / Wire Conductor / Amp	
Hot Water	200-240/60/1, 2W+G, 20
Hot Water	200-240/60/3, 3W+G, 10
Hot Water	440-480/60/3, 3W+G, 10
Electric Auxiliary Heat	200-240/60/3, 3W+G, 70
Electric Auxiliary Heat	440-480/60/3, 3W+G, 40
Drain Diameter <i>inch</i>	3
Water Inlets <i>inch</i>	3/4
Recommended Water Pressure <i>PSI</i>	29-87
Water Flow <i>gal/min</i>	34
Total Power <i>kW</i>	
Hot Water / Steam 208-240V 1Ph	12.6
Hot Water / Steam 208-240V 3Ph	5.6
Hot Water / Steam 440-480V 3Ph	2.6
Electric Heat 208-240V 3Ph	49.3
Electric Heat 440-480V 3Ph	24.6



\* Specifications subject to change without notice or obligation. Contact Continental Girbau at (800) 256-1073 for dimensions not shown or for clarification.