

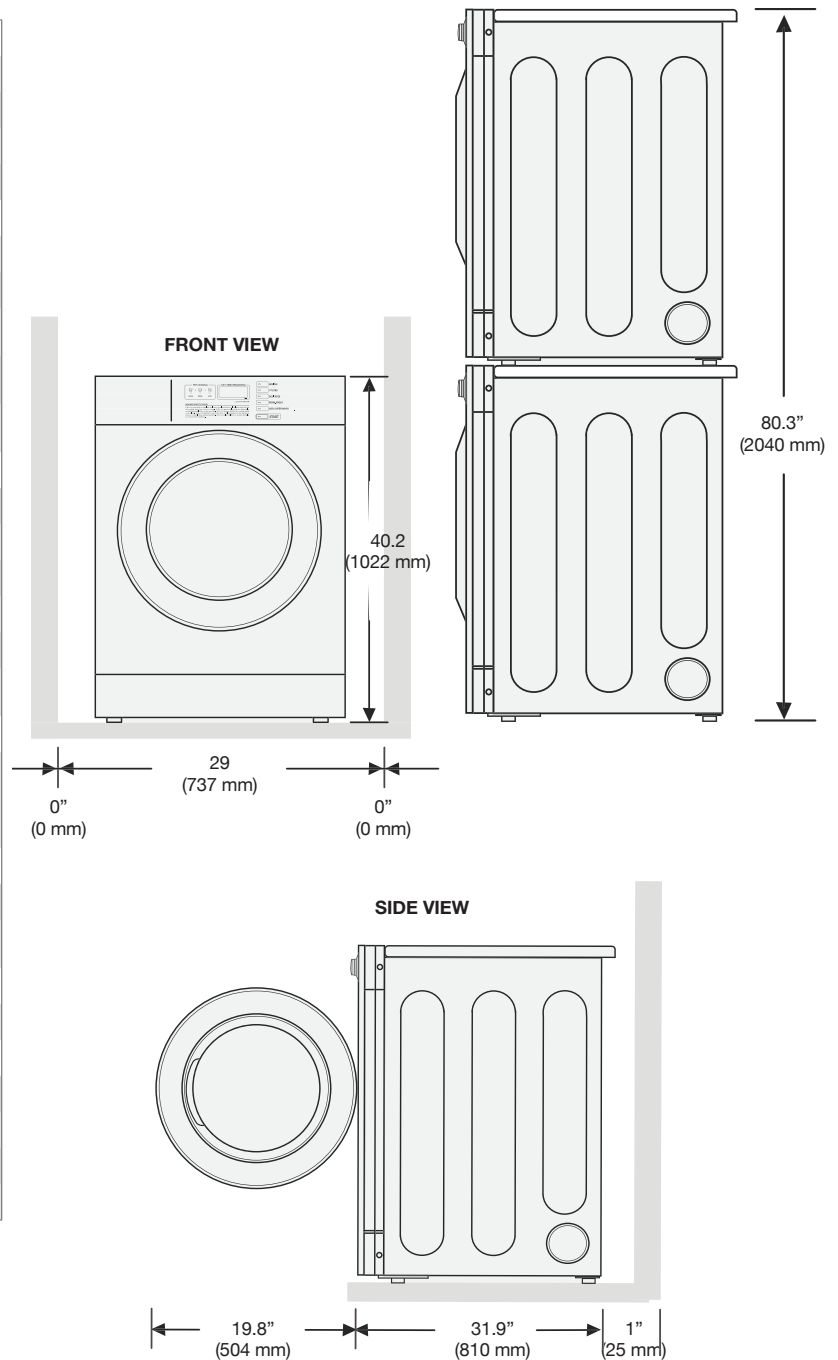
Titan Pro Dryer

LG TITAN PRO DRYER

ARCHITECTURAL/MECHANICAL
PRODUCT SPECIFICATIONS

TLD184 Dryer GAS ELECTRIC

<i>CYLINDER</i>		
Capacity <i>lbs</i>	35	35
Cylinder Diameter <i>inch</i>	28.2	28.2
Cylinder Depth <i>inch</i>	25.2	25.2
Cylinder Volume <i>cu ft</i>	9.0	9.0
<i>DIMENSIONS & WEIGHT</i>		
Net Weight <i>lbs</i>	150	150
Crated Weight <i>lbs</i>	1671	1671
Machine Dimensions <i>inch WxDxH</i>	29 x 31.9 x 40.2	29 x 31.9 x 40.2
Machine Depth w/Door Opening <i>inch</i>	53.2	53.2
Shipping Dimensions <i>inch WxDxH</i>	31.5 x 33.8 x 45.6	31.5 x 33.8 x 45.6
<i>SYSTEM & CONTROL</i>		
Heating Type	Gas	Electric
Type of Drying	Ventilation	Ventilation
Air Flow <i>CFM</i>	210	210
Gas Ratings <i>kW/BTU</i>	7.4 / 25,000	—
Motor	0.33	0.33
Program Duration <i>minutes</i>	40	40
<i>ELECTRIC RATINGS</i>		
Available Voltages <i>V/Hz/A</i>	120/60/5 220-240/50/2.4 220/60/3 —	120(240)/60/26 220-240/50/22.5 220/60/21 240/50/19.5
<i>CONNECTIONS</i>		
Air Outlet Diameter <i>inch</i>	4	4
Exhaust Airflow Diameter <i>inch</i>	4	4
<i>ETERNAL FINISH</i>		
Drum	Stainless Steel	Stainless Steel
<i>PROGRAMS</i>		
High Temp	•	•
Med Temp	•	•
Low Temp	•	•
No Heat	•	•



Specifications subject to change without notice or obligation. Contact Girbau North America at (800) 256-1073 for dimensions not shown or for clarification.

gnaundry.com • (800) 256-1073 • 2500 State Road 44 • Oshkosh, WI 54904



LG COMMERCIAL
LAUNDRY PRODUCTS
provided exclusively by
GIRBAU
NORTH AMERICA