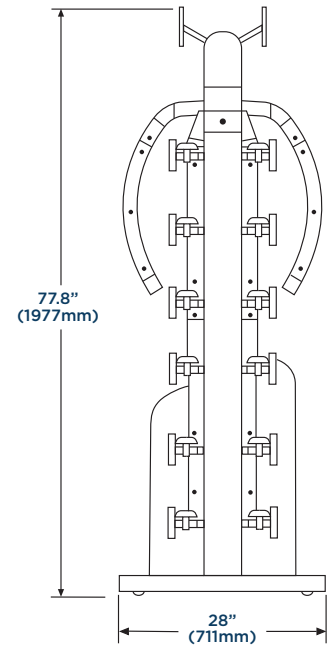


XD-4 / XDH-4

EXPRESSDRY GEAR DRYER

ARCHITECTURAL/MECHANICAL
PRODUCT SPECIFICATIONS

Maximum Number of Gear Sets	4	
Number of Accessory Drying Ports	12	
Machine Dimensions <i>inch</i> WxDxH	72.2 x 28 x 77.8	
Shipping Dimensions <i>inch</i> WxDxH	75 x 30 x 40	
Machine Weight <i>lbs</i>	303	311
Shipping Weight <i>lbs</i>	362	370
Constructed Material	stainless steel / 12 gauge steel / powder coated paint	
Caster Type	360° swivel	
Motor Power <i>Hp</i>	1	
Motor Speed <i>rpm</i>	3450	
Air Flow <i>cfm</i>	800	
Available Voltages	120/60/1	220/60/1
Breaker Size Required <i>Amp</i>	15	20
Amps	7.8	10.9
Fan Diameter <i>inch</i>	10-5/8	
Fan Wheel Bore <i>inch</i>	5/8	
Thermal Protection	auto	—
Timed Interval Selections	2, 4, 8 or 12 hours	
Max Temperature	n/a	105° F
Control Type	Touchscreen	



* Specifications subject to change without notice or obligation. Contact Continental Girbau at (800) 256-1073 for dimensions not shown or for clarification.

