

GT170

PRO-SERIES II DRYING TUMBLER

GT Dryers are engineered for the ultimate in efficiency, programmability and ease-of-use. Complete with properly balanced airflow, heat input and cylinder volume, the GT Dryer line delivers high-quality results and features that dramatically increase laundry production and extend linen life.

GT Drying Tumblers are designed with quality components, easy-to-use programmable controls and unique features that reduce linen loss, ensure safety and boost laundry throughput. Durably constructed for years of constant use, GT Drying Tumblers work in concert with Girbau Industrial washer-extractors and are backed by an industry-leading factory warranty.

PRODUCT FEATURES

RADIAL AIRFLOW

- Radial airflow captures heated intake air and distributes it evenly throughout drying cylinder.
- Ensures maximum load separation for large loads and bulky items.
- Utilizes the tumbler's complete capacity for quick, even drying.
- As heated air is released from the top of the basket, goods, which are rotated from the bottom to the top of the basket, fall and separate throughout the entire cylinder ensuring a quick dry.

LINEN LIFE EXTENSION (LLE) MOISTURE SENSING

- Targets any dryness level from zero to 40 percent.
- Goods experience less damage and up to 31 percent less fiber loss.
- Effectively reduces over drying, resulting fabric damage and cuts energy and labor costs.

MICROPROCESSOR CONTROL

- Offers 20 programmable cycles.
- Features a reminder to clean the lint screen and an external end-of-cycle output to aid attendants in noticing when a load is complete.
- Multiple programmable cycle types, including time-dry, auto-dry, no-heat or Linen Life Extension (LLE)
- Auto-dry feature prevents over drying by automatically cooling the load once the predetermined dryness level is reached.
- Anti-wrinkle and extended tumble feature reduces wrinkles by initiating an unheated airflow and tumble action after the end-of-cycle signal.
- Displays auditing data.

ACCESSIBILITY

- Conveniently accessible components and a self-cleaning lint system contribute to less maintenance and downtime.

EFFICIENCY

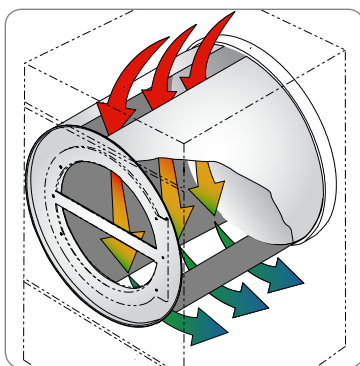
- Fully enclosed heat system captures heated intake air and preheats it before entering the tumbler combustion chamber — boosting efficiency without increasing drying time.
- Instant electronic ignition reduces drying time and conserves energy.
- Modular electrical system adds reliability and simplifies servicing.
- Multiple-burner heat system quickly and efficiently reaches desired temperatures.

DURABILITY

- Rugged cylinder and dual motors with overload protection.
- Steel front, side and top panels coated inside and out with electrostatically applied, baked-on paint for superior corrosion resistance.
- All-belt drive system with cast iron pulleys and permanently sealed bearings for quiet, low-maintenance operation.
- Backed by an industry-leading 3-year manufacturer's warranty.

INTEGRATED SPRINKLER SYSTEM (ISS)

- Optional ISS squelches dryer fires before they get out of control.
- Ensures laundries are better protected from the hazards and damage caused by dryer fires.
- Always active even when laundry is unattended.



RADIAL AIRFLOW



MICROPROCESSOR CONTROL



FIRE SUPPRESSION SYSTEM