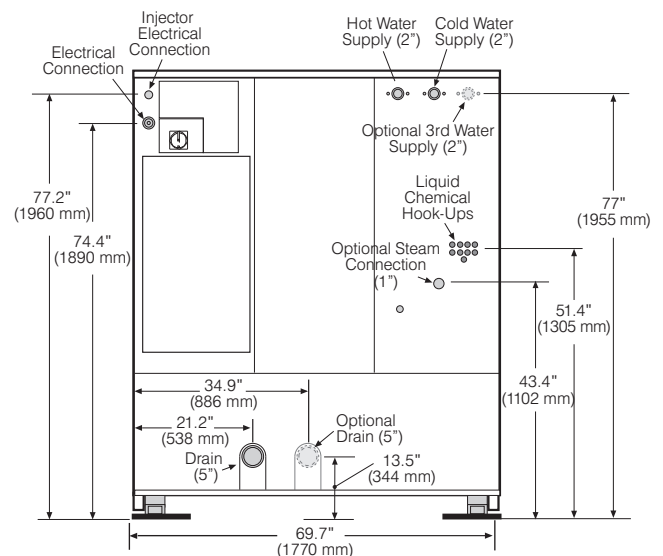
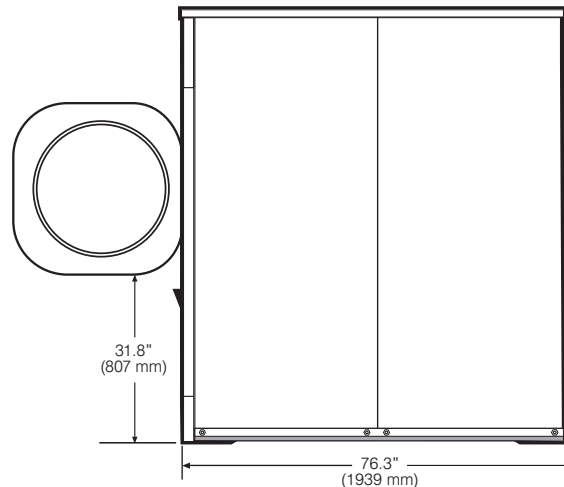
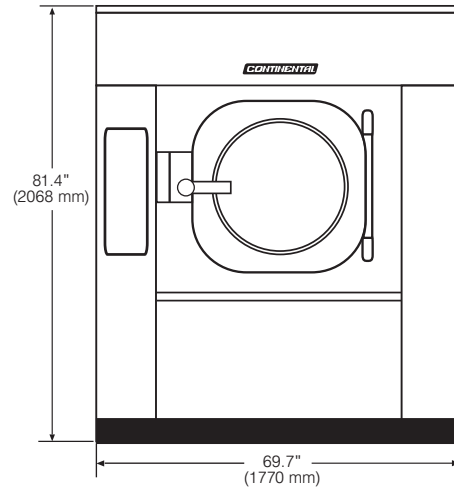


HS6110 Stat

255LB CAPACITY INDUSTRIAL WASHER-EXTRACTOR

ARCHITECTURAL/MECHANICAL
PRODUCT SPECIFICATIONS

PRODUCT SPECS	
Capacity <i>lbs</i>	255
Cylinder Diameter <i>inch</i>	51.6
Cylinder Depth <i>inch</i>	32.1
Cylinder Volume <i>cu ft</i>	38.8
Net Weight <i>lbs</i>	8566
Crated Weight <i>lbs</i>	9056
Machine Dimensions <i>inch</i> WxDxH	69.7 x 76.3 x 81.4
Door Opening <i>inch</i>	26.9
Floor to Door <i>inch</i>	31.8
Shipping Dimensions <i>inch</i> WxDxH	76.8 x 83.5 x 88.4
Washing Speed <i>rpm</i>	13/17/22/27/32
Spin Speeds <i>rpm</i>	66/250/405/565/725
G-force	3.2/46/120/234/385
Static Force Transmitted <i>lbs</i>	9778
Dynamic Force Transmitted <i>lbs</i>	1482
Frequency of Dynamic Force <i>Hz</i>	12.1
Available Voltages/Wire Conductor/Amp	
Hot Water (standard)	208-240/60/3, 3W+G, 40
Hot Water (standard)	440-480/60/3, 3W+G, 20
Steam Auxiliary Heat (optional)	208-240/60/3, 3W+G, 40
Steam Auxiliary Heat (optional)	440-480/60/3, 3W+G, 20
Drain Diameter <i>inch</i>	5
Water Inlets <i>inch</i>	2 @ 2
Recommended Water Pressure <i>PSI</i>	30-60
Water Flow <i>gal/min</i>	58
Steam Connection <i>inch</i>	1
Steam Pressure (optional) <i>PSI</i>	29-87
Steam Flow (optional) <i>lbs/h</i>	794
Total Power <i>kW</i>	11
Compressed Air Connection <i>inch</i>	3/8
Compressed Air Pressure <i>PSI</i>	87-100
Compressed Air Flow <i>cfm</i>	10



* Specifications subject to change without notice or obligation. Contact Girbau Industrial at (800) 256-1073 for dimensions not shown or for clarification.