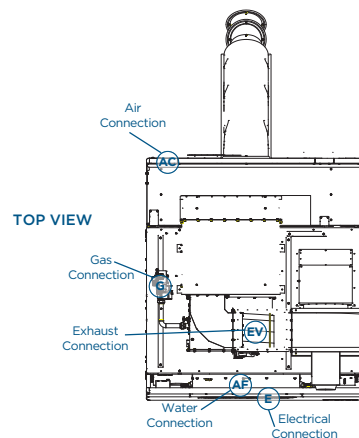
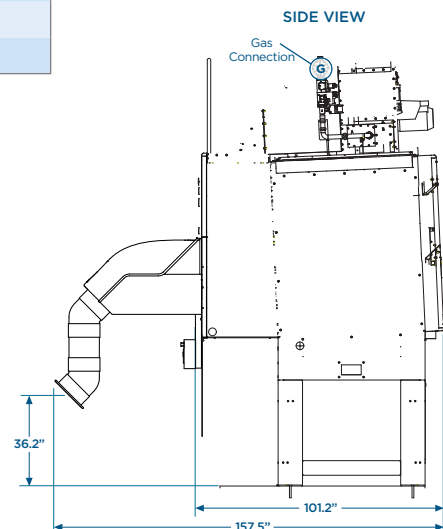
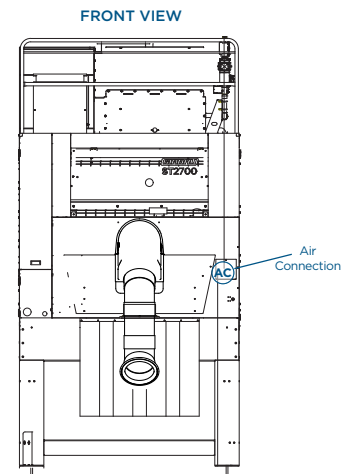
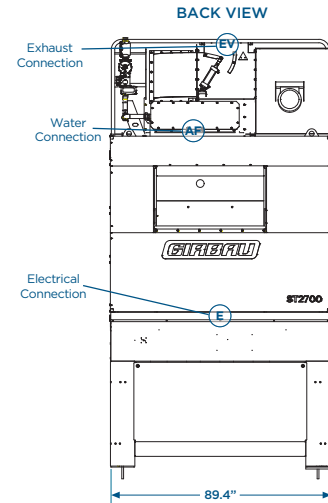


ST2700

HIGH-PERFORMANCE DRYER w/VACUUM LOAD

	NO HEAT	GAS
Capacity <i>lbs</i>	up to 300	
Cylinder Diameter <i>inch</i>	59.6	
Cylinder Depth <i>inch</i>	59	
Cylinder Volume <i>cu ft</i>	106.4	
Net Weight <i>lbs</i>	5643.8	
Machine Width <i>inch</i>	89.4	
Machine Depth <i>inch</i>	101.2 - 157.5	
Machine Height / Loading Height* <i>inch</i>	164.4 / 71.1 170.5 / 77.2 180.7 / 87 190 / 96.7 195.1 / 101.8 200 / 106.7	
Minimum Height of Ceiling <i>inch</i>	188.6	
Electricity <i>kW</i>	3	11.9
Available Voltages / Wire Conductor / Amp	208-240/60/3, 3W+G, 32 (height = 44") 440-480/60/3, 3W+G, 16 (height = 44")	208-240/60/3, 3W+G, 32 (height = 44") 440-480/60/3, 3W+G, 16 (height = 44")
Gas Connection <i>inch</i>	—	1 1/4" NPT
Natural Gas Consumption <i>cu ft/h</i>	—	1710.17
Propane Gas Consumption <i>lbs/h</i>	—	73.06
Natural Gas - Gas Pressure <i>inch</i>	—	8 WC
Propane Gas - Gas Pressure <i>inch</i>	—	14.9 WC
Natural Gas Heating Capacity <i>BTU/hr</i>	—	1,364,856.8
Propane Gas Heating Capacity <i>BTU/hr</i>	—	1,364,856.8
Compressed Air Connection <i>inch</i>	0.39"	
Compressed Air Flow <i>cfm</i>	0.2	
Compressed Air Pressure <i>PSI</i>	87 - 94	
Exhaust Connection <i>inch</i>	—	18
Exhaust Flow <i>cfm</i>	—	7651.5
Maximum Back Pressure <i>inch</i>	—	.6 WC
Water Connection (fire suppression) <i>inch</i>	—	1/2
Water Pressure <i>PSI</i>	—	3-6
Water Flow <i>gal/min</i>	—	2.8
Sprinkler Breaking Temperature <i>Fahrenheit</i>	—	500



* Specifications subject to change without notice or obligation. Contact Girbau Industrial at (800) 256-1073 for dimensions not shown or for clarification.

* Multiple elevation pedestals available.