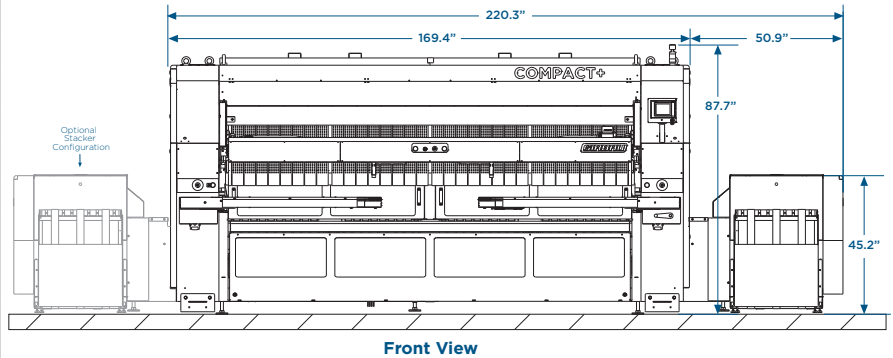


# CP32130

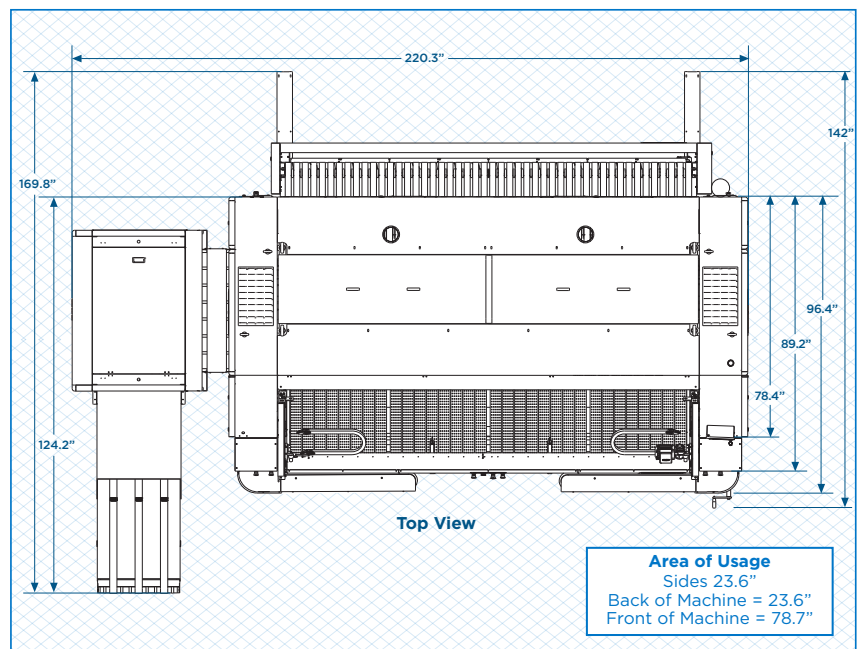
## COMPACTPRO 5-IN-ONE IRONING SYSTEM

### PRODUCT SPECS

Cylinder Diameter <i>inch</i>	32
Usable Cylinder Width <i>inch</i>	130
Evaporation Capability <i>gal/h</i>	31.7
Ironing Speed <i>ft/min</i>	13-49
Net Weight <i>lbs (machine only)</i>	9240
Crated Weight <i>lbs (machine only)</i>	9921
Machine Width <i>inch</i> machine only with stacker	169.4 220.3
Machine Depth <i>inch</i> machine only with stacker with feeder & accumulator with accumulator & stacker	89.2 124.2 142 169.8
Machine Height <i>inch</i>	87.7
Shipping Dimensions <i>inch</i> WxDxH	198.8 x 86.6 x 85.8
Feed Height <i>inch</i>	43.3
Electrical Draw <i>Amp</i>	see table below
Exhaust Diameter (x2) <i>inch</i>	4.9
Exhaust Pressure <i>inch W.C.</i>	1.18
Minimum Exhaust Pressure <i>cfm</i>	647 per lane
Gas Connection <i>inch</i> Natural Propane	1 3/4
Gas Heating <i>BTU/h</i>	481,236
Required Inlet Gas Pressure <i>PSI</i>	2-3
Burner supply pressure (dynamic) <i>inch W.C.</i>	8 W.C.
Compressed Air Connection <i>inch</i>	1/2 NPT ID
Compressed Air Flow <i>cfm</i>	14.2 @ 87-145 PSI



Front View



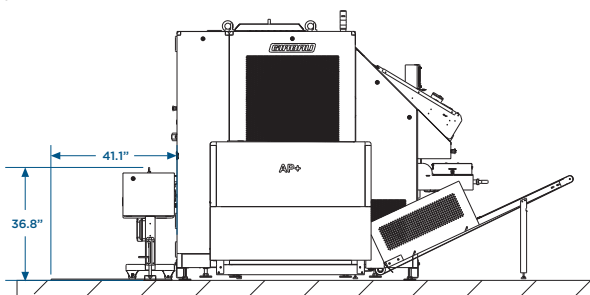
Top View

**Area of Usage**  
Sides 23.6"  
Back of Machine = 23.6"  
Front of Machine = 78.7"

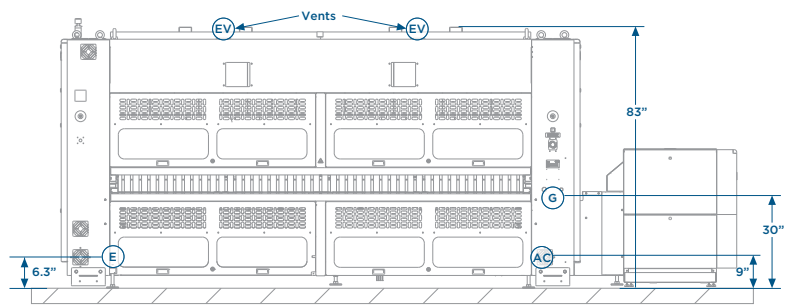
### ELECTRICAL CONSUMPTION

	208V - 240V	440V - 480V
CP24	21.5 A	10.1 A
CP32	21.5 A	10.1 A
1AP+ STACKER*	3.1 A	1.5 A
FEEDER DRX1*	2.5 A	1.2 A
REAR RECEIVER .R4*	1.4 A	0.7 A

\* Option



Side View



Back View

\* Specifications subject to change without notice or obligation. Contact Girbau Industrial at (800) 256-1073 for dimensions not shown or for clarification.