

| Mod.    | From serial no.<br>A partir máq. nº |
|---------|-------------------------------------|
| HS-6013 | 2.119.496                           |
| EH030   | 1.462.460                           |

**Parts Handbook for Washers**  
**Manual de Recambios para lavadoras**  
**Notice Vues Eclatées pour laveuses**

**HS-6013**  
**EH030**

---

**GIRBAU, S.A.**

Crta de Manlleu, km. 1  
08500 VIC (Barcelona) • SPAIN  
Tel. 34 93 8861100  
Fax 34 93 8860785  
girbau@girbau.es  
[www.girbau.com](http://www.girbau.com)

USA, CANADA:

**CONTINENTAL GIRBAU Inc.**

2500 State Road 44  
WI 54904 Oshkosh • USA  
Tel. 1(920) 231-8222  
Fax 1(920) 231-4666  
info@cont-girbau.com  
[www.cont-girbau.com](http://www.cont-girbau.com)

**Parts Handbook**  
**Manual de recambios**  
**Vues Eclatées**

**HS-6013**  
**EH030**



**NOTES TO USE PARTS LIST**

Sheets no. 1,2,3,4,5,6,12,16:  
Are common for all versions.

Sheets no. 7, 13:  
Logi Control

Sheets no. 7, 14:  
Coin Control

Sheets no. 8, 15:  
Inteli Control

Sheet no. 9:  
Logi Control & Coin Control  
with high temperature valve

Sheet no. 10:  
Inteli Control with high  
temperature valve

Sheet no. 11:  
Inteli Control with third water  
inlet

Sheet no. 17:  
Electric heating

Sheet no. 18:  
Steam heating

Sheet no. 19:  
EH030 Coin Control

Sheet no. 20:  
EH030 Coin Control with high  
temperature valve

Sheets no. 21, 22:  
GIRBAU WRAS

**ACLARACIONES PARA EL USO DEL MANUAL DE RECAMBIOS**

Hojas nº 1,2,3,4,5,6,12 y 16:  
Son comunes a todas las  
variantes.

Hojas nº 7 y 13:  
Logi Control

Hojas nº 7 y 14:  
Coin Control

Hojas nº 8 y 15:  
Inteli Control

Hoja nº 9:  
Logi Control y Coin Control  
con válvula alta temperatura

Hoja nº 10:  
Inteli Control con válvula alta  
temperatura

Hoja nº 11:  
Inteli Control con tercera  
entrada de agua

Hoja nº 17:  
Calefacción eléctrica

Hoja nº 18:  
Calefacción a vapor

Hoja nº 19:  
EH030 Coin Control

Hoja nº 20:  
EH030 Coin Control con  
válvula alta temperatura

Hojas nº 21 y 22:  
GIRBAU WRAS

**NOTES UTILISATION VUES ECLATEES**

Feuilles no.1,2,3,4,5,6,12 et  
16: Sont communes à toutes  
les versions.

Feuilles no. 7 et 13:  
Logi Control

Feuilles no. 7 et 14:  
Coin Control

Feuilles no. 8 et 15:  
Inteli Control

Feuille no. 9:  
Logi Control et Coin Control  
avec vanne haute température

Feuille no. 10:  
Inteli Control avec vanne haute  
température

Feuille no. 11:  
Inteli Control avec troisième  
arrivée d'eau

Feuille no. 17:  
Chauffage électrique

Feuille no. 18:  
Chauffage à vapeur

Feuille no. 19:  
EH030 Coin Control

Feuille no. 20:  
EH030 Coin Control avec  
vanne haute température

Feuilles no. 21 et 22:  
GIRBAU WRAS

**VERY IMPORTANT:**

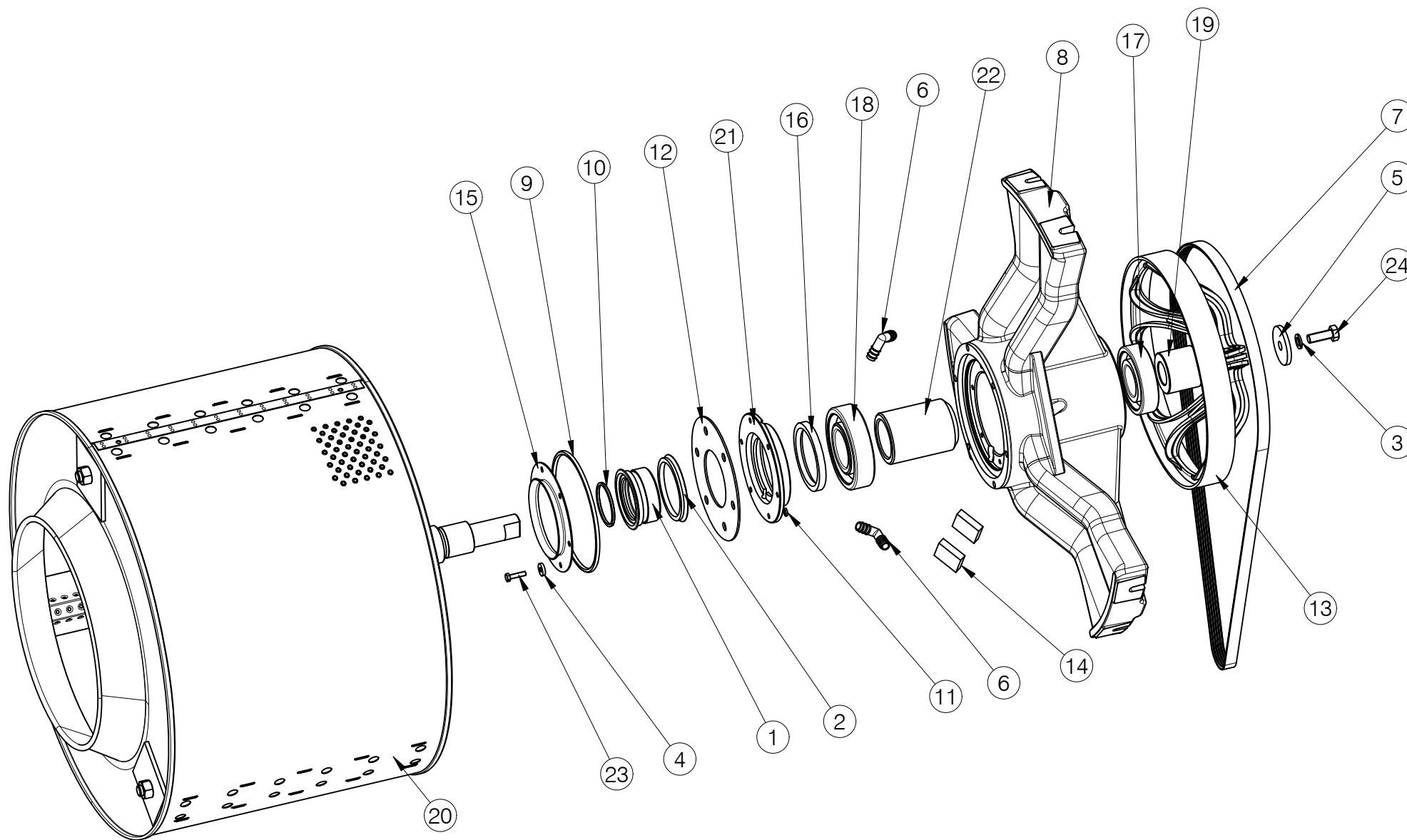
Before ordering parts be  
sure they have not been  
modified. Check it on  
modification sheet, after  
the corresponding sheet.

**MUY IMPORTANTE:**

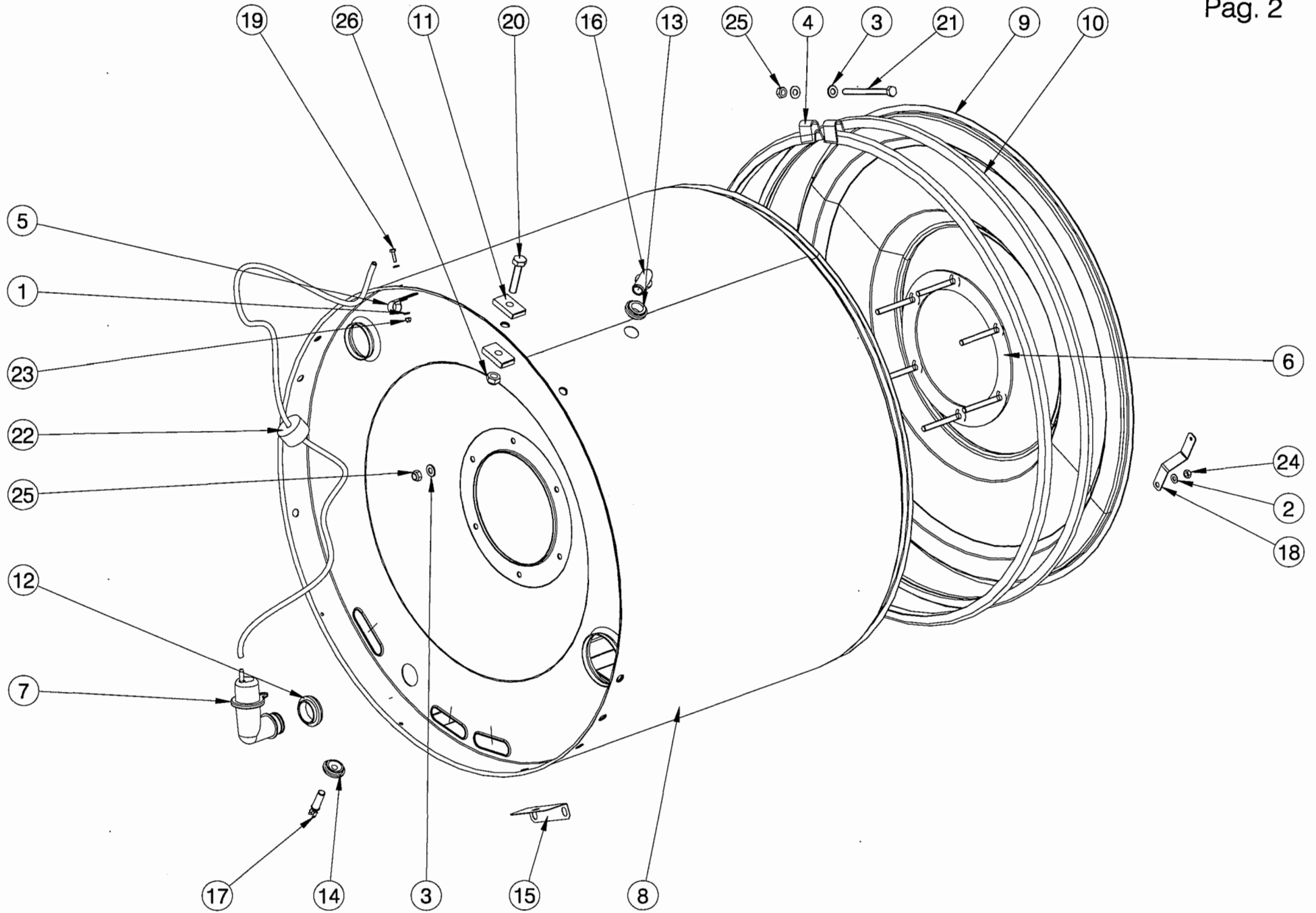
Al pedir una pieza  
cerciorarse antes de que  
la misma no ha sido  
modificada. Si lo hubiese  
sido, estaría situada como  
hoja de modificaciones,  
detrás de la hoja  
correspondiente.

**TRES IMPORTANT:**

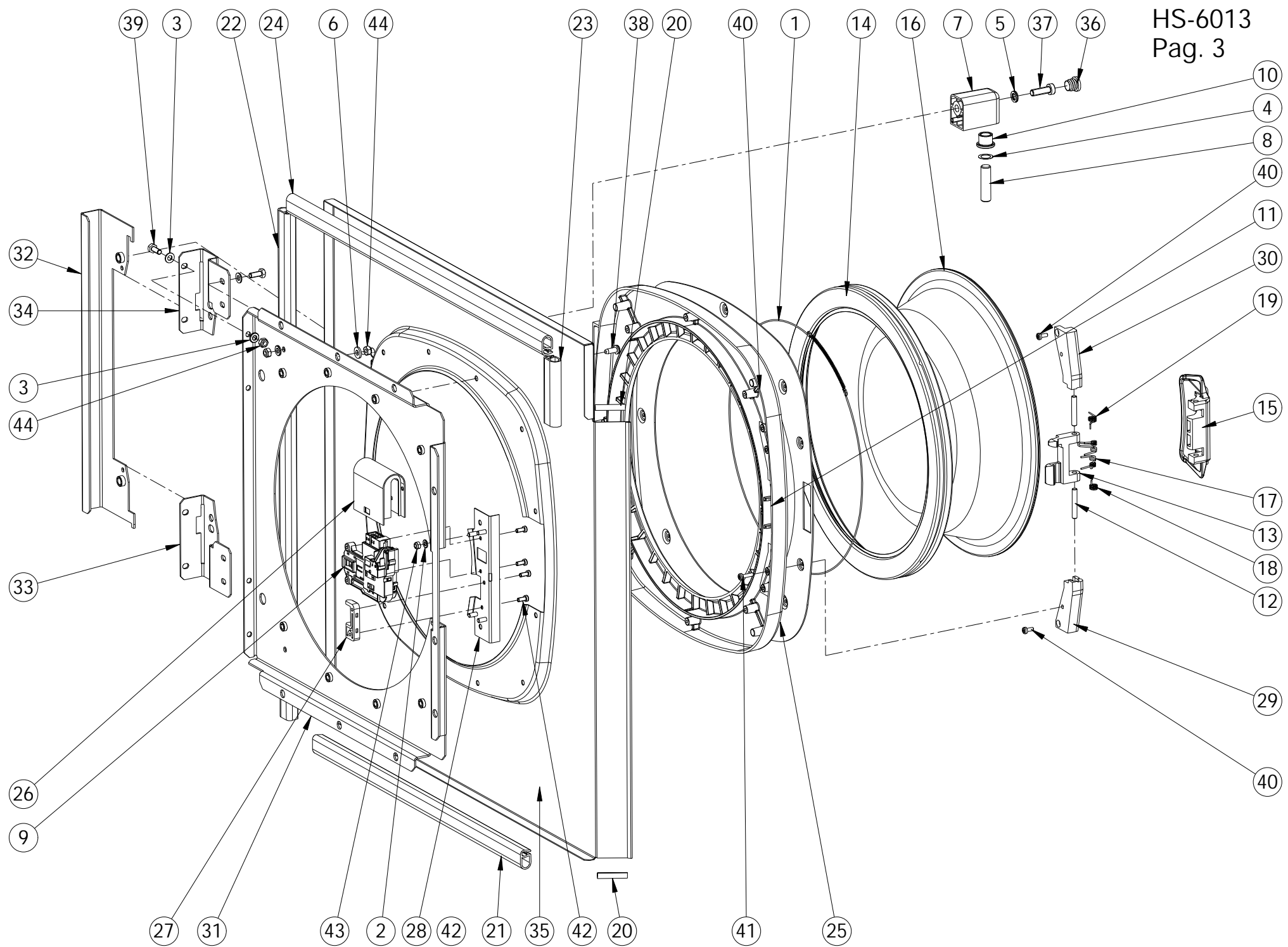
Avant de commander  
une pièce, s'assurer  
qu'elle n'a pas été  
modifiée. Le vérifier sur  
feuille de modifications,  
derrière la feuille  
correspondante.



| Nº | REF    | DENOMINATION                   | DENOMINACIÓN                   | DENOMINATION                   |
|----|--------|--------------------------------|--------------------------------|--------------------------------|
| 1  | 428250 | SEAL RING                      | ANILLO RETENES                 | BAGUE RESERVES                 |
| 2  | 343723 | RING V-RING V-80A VITON        | ANILLO V-RING V-80A VITON      | BAGUE V-RING V-80A VITON       |
| 3  | 149823 | GROWER WASHER A12 DIN127 BICR. | ARAN.GROWER A12 DIN127 B.TRI.  | RONDELLE GROWER A12 DIN127     |
| 4  | 422220 | WASHER D18XD6.5X4              | ARANDELA 18X6.5X4 INOX         | RONDELLE D18XD6.5X4            |
| 5  | 238048 | WASHER D57XD13X6               | ARANDELA 57X13X6 TRIVALEN.     | RONDELLE D57XD13X6             |
| 6  | 193904 | HOSE ELBOW 3/8" RE. 46602      | CODO MANGUERA 3/8" REF.46602   | COUDE TUYAU 3/8" REF. 46602    |
| 7  | 342444 | RIBBED BELT 5PK1675            | CORREA ESTR.5PK1675±6          | COURROIE STRIE 5PK1675         |
| 8  | 427203 | BEARING BOX                    | ESTRELLA CAJA COJINETES        | BOITE ROULEMENTS               |
| 9  | 340927 | TORIC GASKET 166X178X6 NBR     | JUNTA TORICA 166X178X6 NBR     | JOINT TORIQUE 166X178X6 NBR    |
| 10 | 340935 | TORIC GASKET 57X65X4 NBR70     | JUNTA TORICA 57X65X4 NBR70     | JOINT TORIQUE 57X65X4 NBR70    |
| 11 | 181321 | TORIC GASKET 6X12X3            | JUNTA TORICA 6X12X3            | JOINT TORIQUE 6X12X3           |
| 12 | 428276 | PLATE V-RING                   | PLATINA V-RING                 | PLATINE V-RING                 |
| 13 | 318121 | DRUM PULLEY                    | POLEA TAMBOR                   | POULIE TAMBOUR                 |
| 14 | 431205 | PRESSOSTAT HOSE PROTECTION     | PROTECCION TUBO PRESOSTATO     | PROTECTION TUBE PRESSOSTAT     |
| 15 | 428284 | PROTECTIOM V-RING              | PROTECCION V-RING              | PROTECTION V-RING              |
| 16 | 121897 | SEAL 78X100X10 BA              | RETEN 78X100X10 DIN 3760-A NBR | RESERVE 78X100X10 BA           |
| 17 | 128686 | BEARING 6309 ZZ                | RODAMIENTO 6309 ZZ             | ROULEMENT 6309 ZZ              |
| 18 | 340901 | BEARING 6311-C-2HRS            | RODAMIENTO 6311-C-2HRS         | ROULEMENT 6311-C-2HRS          |
| 19 | 340844 | DRUM PULLEY SPACER             | SEPARADOR POLEA TAMBOR         | SEPARATEUR POULIE TAMBOUR      |
| 20 | 444422 | BASKET                         | TAMBOR                         | TAMBOUR                        |
| 21 | 428268 | SEAL-HOLDER COVER              | TAPA PORTA-RETEN               | COUVERCLE PORTE-RESERVE        |
| 22 | 340836 | BEARING END-PIECE              | TOPE COJINETES                 | ARRET ROULEMENTS               |
| 23 | 144915 | INOX HEX SCREW DIN933 M 6X25   | TOR.EX.DIN933INOX A2-70 M 6X25 | VIS HEX INOX DIN933 M 6X25     |
| 24 | 176883 | BIC.HEX SCREW DIN933-8 M12X35  | TOR.EX.DIN933-8.8 B.TRI.M12X35 | VIS HEX DIN933-8,8 BICR.M12X35 |



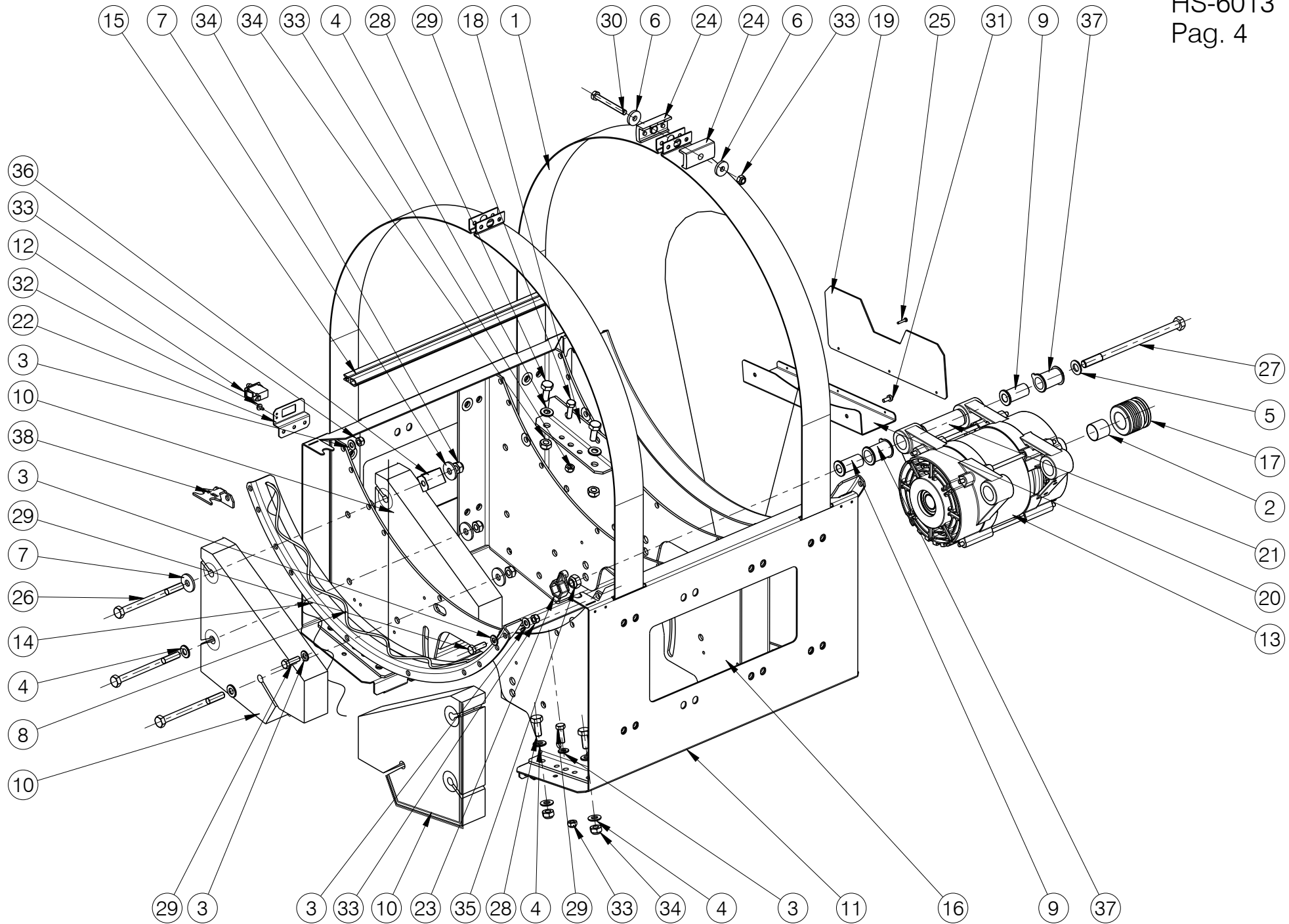
| Nº | REF    | DENOMINATION                           | DENOMINACIÓN                             | DENOMINATION                             |
|----|--------|--|--|--|
| 1  | 149476 | BICR.WASHER B DIN125-ST 4,3            | ARAN.B DIN125-ST B.TRI. 4,3              | RONDELLE B DIN125-ST BICR.4,3            |
| 2  | 149526 | BICR.WASHER B DIN125-ST 6,4            | ARAN.B DIN125-ST B.TRI. 6,4              | BICR.WASHER B DIN125-ST 6,4              |
| 3  | 149518 | BICR.WASHER B DIN125-ST 8,4            | ARAN.B DIN125-ST B.TRI. 8,4              | RONDELLE.B DIN125-ST BICR.8,4            |
| 4  | 430298 | OUTER-DRUM FIXING RING                 | ARO FIJACION ENVOLVENTE                  | BAGUE FIXATION CUVE                      |
| 5  | 140418 | CLAMP UNEX REF 1201                    | BRIDA UNEX 1201                          | BRIDE UNEX REF 1201                      |
| 6  | 431577 | OUTER-DRUM PLATE SET                   | CONJUNTO PLATINA ENVOLVENTE              | ENSEMBLE PLATINE CUVE                    |
| 7  | 320382 | PRESSURE TRANSMITT INTAKE BODY         | CUERPO TOMA PRESOSTATO                   | CORPS PRISE PRESSOSTAT                   |
| 8  | 428482 | OUTER                                  | ENVOLVENTE                               | CUVE                                     |
| 9  | 549220 | OUTER DRUM FRONT PANEL                 | FRONTAL ENVOLVENTE                       | FRONTAL CUVE                             |
| 10 | 340638 | HOUSING OUTER-DRUM FRONT               | JUNTA FRONTAL ENVOLVENTE                 | JOINT FRONTAL CUVE                       |
| 11 | 422329 | HANDRAIL 43X25X8                       | PASAMANO 43X25X8                         | PASSEMAIN 43X25X8                        |
| 12 | 320036 | PRESSURE T.BODY SHEATH-LODGING         | PASAMUROS CUERPO PRESOSTATO              | LOGEMENT CORPS PRESSOSTAT                |
| 13 | 338863 | VAPOR OUTLET SHEATH-LODGING            | PASAMUROS DESVAPORIZADOR                 | LOGEMENT SORTIE CONDENSATS               |
| 14 | 256149 | SENSOR SHEATH LODGING                  | PASAMUROS SENSOR                         | LOGEMENT SENSEUR                         |
| 15 | 341073 | OUTER DRUM PIECE                       | POSICIONADOR ENVOLVENTE                  | PIECE CUVE                               |
| 16 | 338871 | VAPOR OUTLET RACCORD                   | RACOR DESVAPORIZADOR                     | RACCORD SORTIE CONDENSATS                |
| 17 | 193862 | NTC RESISTANCE                         | RESISTENCIA NTC                          | RESISTANCE NTC                           |
| 18 | 431536 | LOCK INSTALLATION FIXING-PIECE         | SUJECION INSTALACION CIERRE              | FIXATION INST.FERMETURE                  |
| 19 | 146266 | BICR.HEX SCREW DIN933-8 M-4X15         | TOR.EX.DIN933-4.8 B.TRI.M 4X15           | VIS HEX BICR.DIN933-8.8 M-4X15           |
| 20 | 186528 | HEX SCREW DIN 933 8,8 M10x50 TRIVALENT | TORNILLO HEXAGONAL DIN 933 8,8 M10x50 TR | VIS HEXAGONALE DIN 933 8,8 M10x50 TRIVAL |
| 21 | 146464 | BICR.HEX SCREW DIN933-8 M8X100         | TOR.EX.DIN933-8.8 B.TRI.M8X100           | VIS HEX BICR.DIN933-8 M 8X100            |
| 22 | 428672 | PRESSURE TRANSMITTER HOSE              | TUBO TRANSMISOR PRESION                  | TUYAU PRESSOSTAT                         |
| 23 | 132043 | SELF-LOCKING NUT DIN985-8 B.TRI.M 4    | TUER.AUTOBL.DIN985-8 B.TRI.M 4           | ECROU AUTOBLOCANT DIN985-8 B.TRI.M 4     |
| 24 | 176834 | SELF-LOCKING NUT DIN985-8 B.TRI.M6     | TUER.AUTOBL.DIN985-8 B.TRI.M6            | ECROU AUTOBLOCANT DIN985-8 B.TRI.M6      |
| 25 | 164285 | SELF-LOCKING NUT DIN985-8 B.TRI.M8     | TUER.AUTOBL.DIN985-8 B.TRI.M8            | ECROU AUTOBLOCANT DIN985-8 B.TRI.M8      |
| 26 | 150649 | SELF-LOCKING NUT DIN985-8 B.TRI.M10    | TUER.AUTOB.DIN985-8 B.TRI.M10            | ECROU AUTOBLOCANT DIN985-8 B.TRI.M10     |



| Nº | REF    | DENOMINATION                            | DENOMINACIÓN                              | DENOMINATION  |
|----|--------|---|---|---|
| 1  | 343137 | WASHER D318XD1,5 SPRING                 | ABRAZ.ALAMBRE D318XD1,5 MUELLE            | RONDELLE D318XD1,5 RESSORT                            |
| 2  | 149534 | BICR.WASHER B DIN125-ST 5,3             | ARAN.B DIN125-ST BICR. 5,3                | RONDELLE B BICR.DIN125-ST 5,3                         |
| 3  | 149526 | BICR.WASHER B DIN125-ST 6,4             | ARAN.B DIN125-ST B.TRI. 6,4               | BICR.WASHER B DIN125-ST 6,4                           |
| 4  | 184200 | ADJ. WASHER PS12X18X0,2                 | ARAN.AJUSTE PS12X18X0,2 DIN988            | RONDELLE REGLAGE PS12X18X0,2                          |
| 5  | 540039 | NORD-LOCK WASHER NL 8 D.PROT.           | ARAN.NORD-LOCK NL 8 D.PROT.               | RONDELLE NORD-LOCK NL 8 D.PROT.                       |
| 6  | 432872 | WASHER 14X6.4X2                         | ARANDELA 14X6.4X2 INOX                    | RONDELLE 14X6.4X2                                     |
| 7  | 432054 | HINGE                                   | BISAGRA                                   | CHARNIERE   |
| 8  | 261156 | DOOR BOLT                               | BULON ESCOTILLA                           | BOULON HUBLOT   |
| 9  | 333302 | LOCKING BITRON BP P/5 DL-S1             | CIERRE BITRON BP P/5 DL-S1 *              | FERMETURE BITRON BP P/5 DL-S1                         |
| 10 | 128827 | SELFOIL SLEEVE B11B12-17-15/22          | COJ. SELFOIL B11B12-17-15/22-3            | FRETTE SELFOIL B11B12-17-15/22                        |
| 11 | 432062 | DOOR BODY                               | CUERPO ESCOTILLA                          | CORPS HUBLOT  |
| 12 | 427088 | HANDLE SHAFT                            | EJE MANETA                                | AXE POIGNEE   |
| 13 | 339614 | LOCK HOOK                               | GANCHO CIERRE                             | CROCHET FERMETURE                                     |
| 14 | 563353 | DOOR GASKET 65SHA                       | JUNTA ESCOTILLA 65SHA                     | JOINT DE HUBLOT 65SHA                                 |
|    | 359810 | DOOR GASKET 70SHA<br>(SPARE PARTS ONLY) | JUNTA ESCOTILLA 70SHA<br>(SOLO RECAMBIOS) | JUNTA ESCOTILLA 70SHA<br>(SEULEMENT PIECES DETACHEES) |
| 15 | 339457 | LOCK HANDLE                             | MANETA CIERRE                             | POIGNEE FERMETURE                                     |
| 16 | 340547 | SPYHOLE                                 | MIRILLA                                   | VITRE   |
| 17 | 350462 | HOOK SPRING                             | MUELLE GANCHO                             | RESSORT CROCHET                                       |
| 18 | 339978 | HANDLE SPRING                           | MUELLE MANETA                             | RESSORT POIGNEE                                       |
| 19 | 339986 | HANDLE SPRING                           | MUELLE MANETA                             | RESSORT POIGNEE                                       |
| 20 | 165472 | ETHYLENE-PROP. PROFILE                  | PERFIL ETILENO-PROP.REF.44117L            | PROFILE ETHYLENE-PROP.                                |
| 21 | 428573 | LOWER COVER AND PANEL PROFILE           | PERFIL PANEL Y TAPA INFERIOR              | PROF.PANNEAU ET COUVERCLE INF.                        |
| 22 | 431361 | FRONT COVER PROFILE                     | PERFIL TAPA FRONTAL                       | PROFILE COUVERCLE FRONTALE                            |
| 23 | 432724 | SHORT FRONT COVERT PROFILE              | PERFIL TAPA FRONTAL CORTO                 | PROFILE COUVERC.FRONTALE COURT                        |
| 24 | 431478 | LONG FRONT COVERT PROFILE               | PERFIL TAPA FRONTAL LARGO                 | PROFILE COUVERC.FRONTALE LONG                         |
| 25 | 587261 | GLASS-HOLDER                            | PORTA-MIRILLA                             | PORTE-VITRE   |
| 26 | 333070 | LOCKING PROTECTION                      | PROTECCION CIERRE                         | PROTECTION FERMETURE                                  |
| 27 | 430843 | FRONT COVER REINFORT                    | REFUERZO TAPA FRONTAL                     | RENFORT COUVERCLE FRONTALE                            |

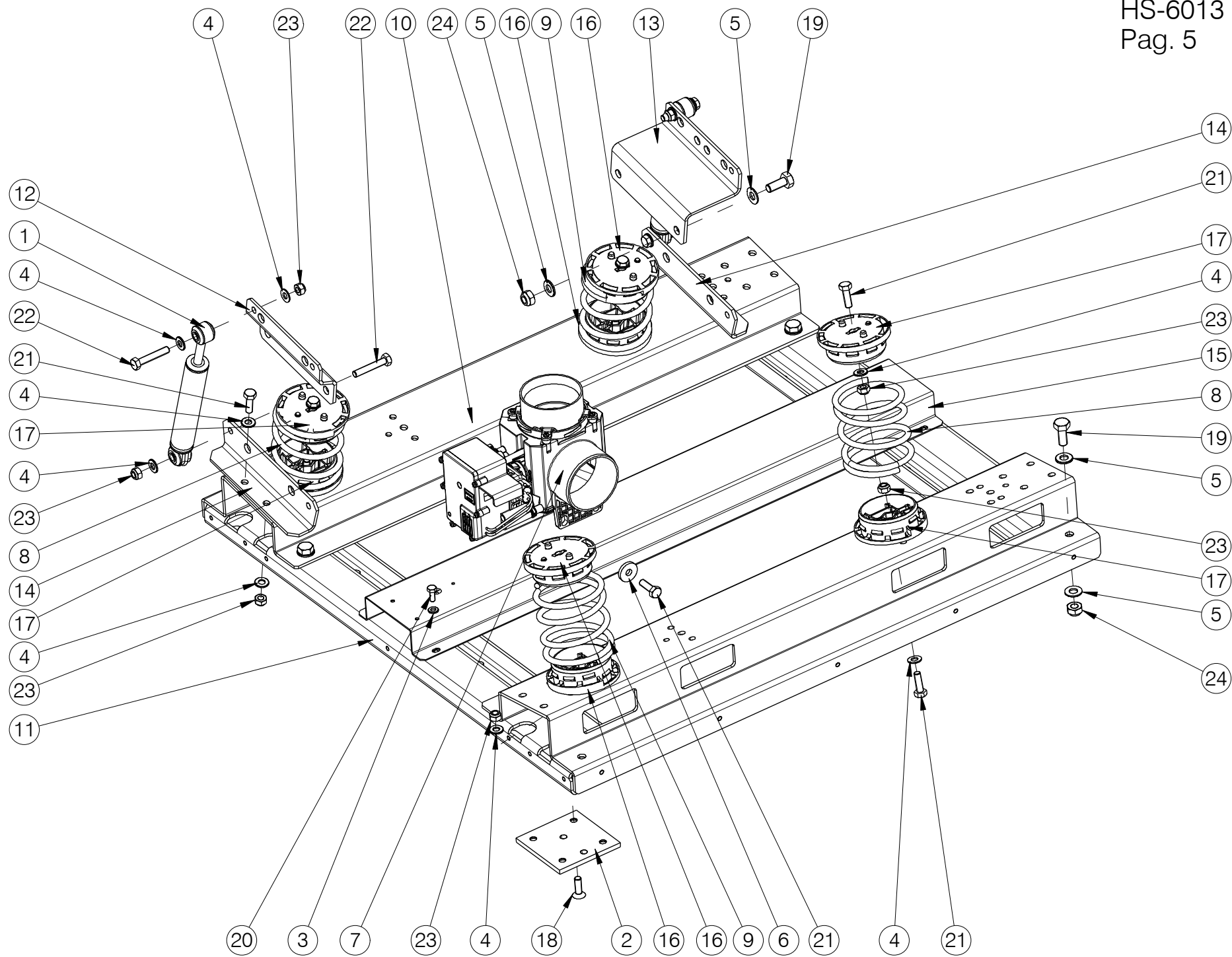


| N°     | REF    | DENOMINATION                       | DENOMINACIÓN                             | DENOMINATION                         |
|--------|--------|------------------------------------|--|--------------------------------------|
| 28     | 549329 | LOCK BRACKET                       | SOPORTE CIERRE                           | SUPPORT FERMETURE                    |
| 29     | 409086 | HANDLE BRACKET                     | SOPORTE MANETA                           | SUPPORT HUBLLOT                      |
| 30     | 409094 | HANDLE BRACKET                     | SOPORTE MANETA                           | SUPPORT POIGNEE                      |
| 31     | 549246 | DOOR BRACKET                       | SOPORTE PUERTA                           | SUPPORT PORTE                        |
| 32     | 549287 | HINGE NUT BRACKET                  | SOPORTE TUERCAS BISAGRAS                 | SUPPORT ECROU CHARNIÈRE              |
| 33     | 549261 | LOWER DOOR BRACKET SUPPLEMENT      | SUPLEMENTO SOPORTE PUERTA INF.           | SUPPLÉMENT SUPPORT PORTE INF.        |
| 34     | 549253 | HIGHER DOOR BRACKET SUPPLEMENT     | SUPLEMENTO SOPORTE PUERTA SUP.           | SUPPLÉMENT SUPPORT PORTE SUP.        |
| 35     | 549303 | FRONT COVER                        | TAPA FRONTAL                             | COUVERCLE FRONTALE                   |
| 36     | 322974 | PLUG KAPSTO GPN320GL18             | TAPON KAPSTO GPN320GL18                  | BOUCHON KAPSTO GPN320GL18            |
| 37     | 316695 | ALLEN SCREW DIN7984-8 M8X 25       | TOR.ALLDIN7984-8.8B.TRI.M 8X25           | VIS ALLEN DIN7984-8.8 B.M8X 25       |
| 38     | 333294 | SCREW T25 AR.18ESTR.M 6X15 INOX    | TORNILLO ALOM.T25 M 6X15 INOX(ESPECIA    | VIS T25 AR.18ESTR.M 6X15 INOX        |
| 39     | 326116 | SCREW 410TT85T 4X10 INOX           | TORNILLO 410TT85T 4X10 INOX (ESPECIAL)   | VIS 410TT85T 4X10 INOX               |
| 40     | 352724 | SCREW 416TT85T 4X16 INOX           | TORNILLO 416TT85T 4X16 INOX (ESPECIAL)   | VIS 416TT85T 4X16 INOX               |
| 41     | 322990 | SCREW 4510RFAT INOX 4.5X10         | TORNILLO 4510RFAT INOX 4.5X10 (ESPECIAL) | VIS 4510RFAT INOX 4.5X10             |
| 42     | 146233 | BICR.HEX SCREW DIN933-8 M6X15      | TOR.EX.DIN933-8.8 B.TRI.M 6X15           | VIS HEX DIN933-8.8 BICR.M6X15        |
| 43     | 176826 | SELF-LOCKING NUT DIN985-8 B.TRI.M5 | TUER.AUTOBL.DIN985-8 B.TRI.M5            | ECROU AUTOBLOCANT DIN 985-8 B.TRI.M5 |
| 44     | 176834 | SELF-LOCKING NUT DIN985-8 B.TRI.M6 | TUER.AUTOBL.DIN985-8 B.TRI.M6            | ECROU AUTOBLOCANT DIN985-8 B.TRI.M6  |
|        |        | WITHOUT ILLUSTRATION               | SIN ILUSTRACION                          | SANS ILLUSTRATION                    |
| 431189 |        | JOINT ADJUSTING RING               | ARO AJUSTE JUNTA                         | BAGUE REGLAGE JOINT                  |

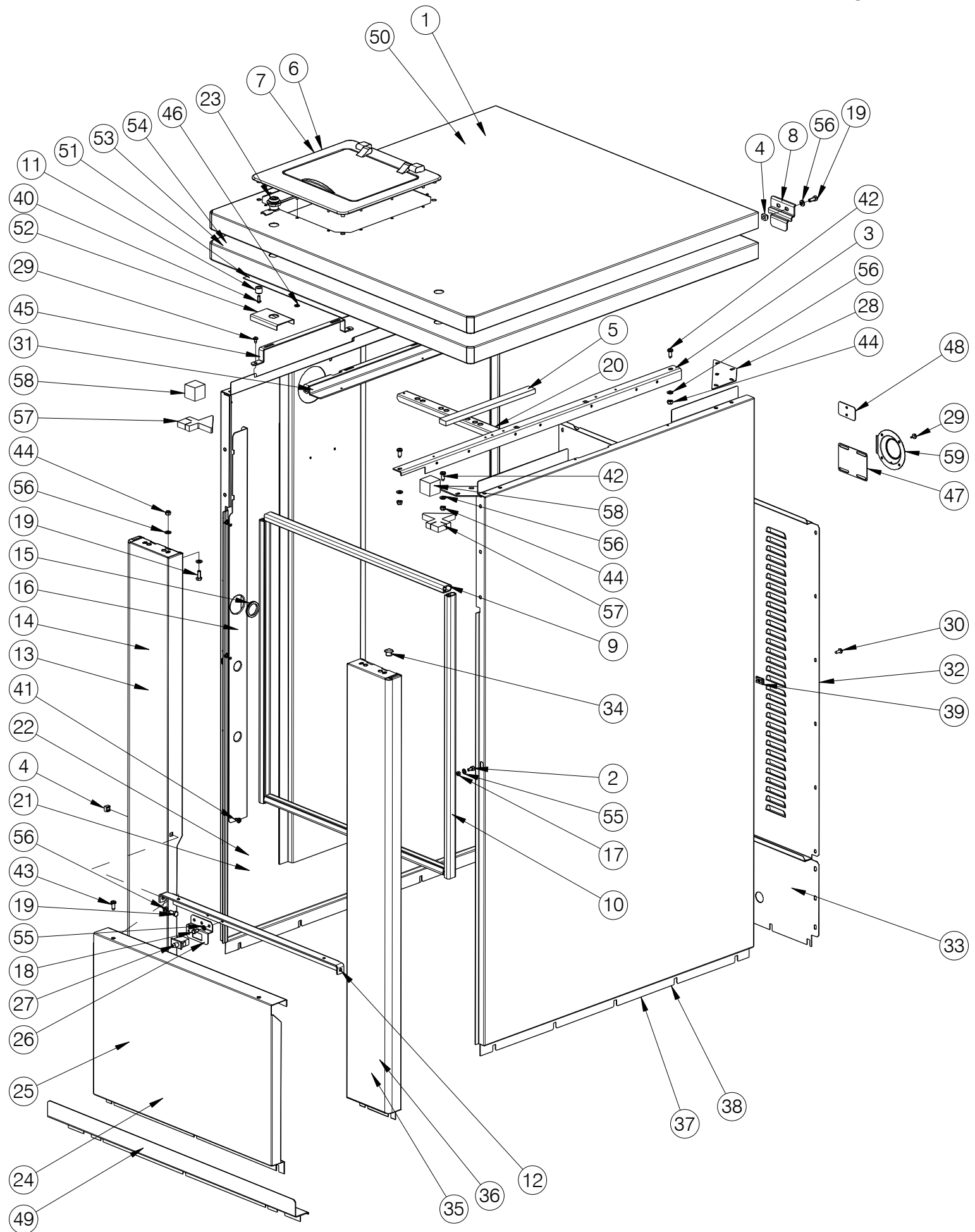


| Nº | REF    | DENOMINATION                                | DENOMINACIÓN                                     | DENOMINATION                                  |
|----|--------|---|--|---|
| 1  | 427807 | OUTER-DRUM CLAMP                            | ABRAZADERA ENVOLVENTE                            | BRIDE CUVE                                    |
| 2  | 341156 | STAR TOLER.RING 0820-028-04                 | ANILLO TOLER.STAR 0820-028-04                    | BAGUE TOLER.STAR 0820-028-04                  |
| 3  | 149518 | BICR.WASHER B DIN125-ST 8,4                 | ARAN.B DIN125-ST B.TRI. 8,4                      | RONDELLE.B DIN125-ST BICR.8,4                 |
| 4  | 149500 | BICR.WASHER B DIN125-ST 10,5                | ARAN.B DIN125-ST B.TRI.10,5                      | RONDELLE B DIN125-ST BICR.10,5                |
| 5  | 149419 | BICR.WASHER B DIN125-ST 13                  | ARAN.B DIN125-ST B.TRI.13                        | RONDELLE B DIN125-ST BICR.13                  |
| 6  | 261529 | WASHER 25X8,5X4                             | ARANDELA 25X8.5X4 TRIVALEN.                      | RONDELLE 25X8,5X4                             |
| 7  | 115428 | WASHER 30X10,5X3                            | ARANDELA 30X10,5X3 TRIVALEN.                     | RONDELLE 30X10,5X3                            |
| 8  | 320424 | SIKAFLEX 252 WHITE UNIPAC 600               | BETAMATE 7120 FLEXPACK 600 ML                    | SIKAFLEX 252 BLANC UNIPAC 600                 |
| 9  | 423103 | MOTOR SLEEVE                                | CASQUILLO MOTOR                                  | FRETTE MOTEUR                                 |
| 10 | 427815 | COUNTERWEIGHT                               | CONTRAPESO                                       | CONTREPOIDS                                   |
| 11 | 427849 | CHASSIS SIDE PANEL                          | LATERAL CHASIS                                   | LATERAL CHASSIS                               |
| 12 | 323048 | MINISWITCH CHERRY E69-60C                   | MINIRRUPTOR CHERRY E69-60C                       | MINIRRUPTEUR CHERRY E69-60C                   |
| 13 | 340778 | MOTOR MT 90-90/4                            | MOTOR MT 90-90/4-H                               | MOTEUR MT 90-90/4                             |
|    | 501270 | BEARING 6306-2Z/C3<br>(END PULLEY)          | RODAMIENTO 6306-2Z/C3<br>(EXTREMO POLEA)         | ROULEMENT 6306-2Z/C3<br>(FINAL POULIE)        |
|    | 501577 | BEARING 6205-2Z/C3<br>(OPPOSITE END PULLEY) | RODAMIENTO 6205-2Z/C3<br>(EXTREMO OPUESTO POLEA) | ROULEMENT 6205-2Z/C3<br>(FINAL OPPOSE POULIE) |
| 14 | 340729 | OUTER-DRUM SUPPORT PROFILE                  | PERFIL APOYO ENVOLVENTE                          | PROFILE APPUI CUVE                            |
| 15 | 433144 | SIDE PROFILE                                | PERFIL LATERAL                                   | PROFILE LATERAL                               |
| 16 | 427856 | CHASSIS PLATE                               | PLACA CHASIS                                     | PLAQUE CHASSIS                                |
| 17 | 340745 | MOTOR PULLEY MT 90-90/4-H                   | POLEA MOTOR MT 90-90/4-H                         | POULIE MOTEUR MT 90-90/4-H                    |
| 18 | 422386 | REAR SPRING POSITION                        | POSICIONADOR MUELLE POSTERIOR                    | POSITION RESSORT ARRIERE                      |
| 19 | 432674 | WIRE PROTECTION                             | PROTECCION CABLES                                | PROTECTION CABLES                             |
| 20 | 431163 | MOTOR PROTECTION                            | PROTECCION MOTOR                                 | PROTECTION MOTEUR                             |
| 21 | 340877 | MOTOR SEPARATOR                             | SEPARADOR MOTOR                                  | SEPARATEUR MOTEUR                             |
| 22 | 423129 | MICROSWITCH BRACKET                         | SOPORTE MICRORRUPTOR                             | SUPPORT MICRORRUPTEUR                         |
| 23 | 338095 | MOTOR NUT BRACKET                           | SOPORTE TUERCA MOTOR                             | SUPPORT ECROU MOTEUR                          |
| 24 | 338053 | CLAMP TEIGHTENER                            | TENSOR ABRAZADERA                                | TENDEUR BRIDE                                 |
| 25 | 332627 | SCREW REF. TT85 T M3 X16                    | TOR. REF. TT85 T M3 X16                          | VIS REF.TT85 T M3 X16                         |

| Nº | REF    | DENOMINATION                          | DENOMINACIÓN                             | DENOMINATION                             |
|----|--------|---------------------------------------|--|--|
| 26 | 181826 | BIC.HEX SCREW DIN931-8 M10X130        | TOR.EX.DIN931-8.8B.TRI.M10X130           | VIS HEX BICR.DIN931-8 M10X130            |
| 27 | 340893 | BIC.HEX SCREW DIN931-8.8              | TOR.EX.DIN931-8.8B.TRI.M12X200           | VIS HEX BICR.DIN931-8.8                  |
| 28 | 147009 | HEX SCREW 8G DIN 933 M-10X25          | TOR.EX.DIN933-8.8 B.TRI.M10X25           | VIS HEX. DIN 933 M-10X25 8G              |
| 29 | 192849 | BIC.HEX SCREW DIN933-8 M-8X25         | TOR.EX.DIN933-8.8 B.TRI.M 8X25           | VIS HEX.DIN933-8,8 BICR.M-8X25           |
| 30 | 193391 | HEX SCREW DIN 933 8,8 M8x70 TRIVALENT | TORNILLO HEXAGONAL DIN 933 8,8 M8x70 TRI | VIS HEXAGONALE DIN 933 8,8 M8x70 TRIVALE |
| 31 | 343434 | SCREW 512TTAET M5X12                  | TORNILLO 512TTAET M5X12 (ESPECIAL)       | VIS 512TTAET M5X12                       |
| 32 | 183400 | PLATE SCREW ST-4, 20 P.F. C/AL.T25    | TORNILLO CHAPA ST-4 (ESPECIAL)*          | VIS PLAQUE ST-4, 20 P.F. C/AL.T25        |
| 33 | 164285 | SELF-LOCKING NUT DIN985-8 B.TRI.M8    | TUER.AUTOBL.DIN985-8 B.TRI.M8            | ECROU AUTOBLOCANT DIN985-8 B.TRI.M8      |
| 34 | 150649 | SELF-LOCKING NUT DIN985-8 B.TRI.M10   | TUER.AUTOB.DIN985-8 B.TRI.M10            | ECROU AUTOBLOCANT DIN985-8 B.TRI.M10     |
| 35 | 150656 | SELF-LOCKING NUT DIN985-8 B.TRI.M12   | TUER.AUTOB.DIN985-8 B.TRI.M12            | ECROU AUTOBLOCANT DIN985-8 B.TRI.M12     |
| 36 | 428391 | PLATE COUNTERWEIGHT JOINING           | UNION CONTRAPESO PLACA                   | UNION CONTREPOIDS PLAQUE                 |
| 37 | 432203 | MOTOR SILENTBLOCK                     | SILENTBLOC MOTOR                         | SILENTBLOCK MOTEUR                       |



| Nº | REF      | DENOMINATION                          | DENOMINACIÓN                            | DENOMINATION                         |
|----|----------|---------------------------------------|---|--------------------------------------|
| 1  | 333476   | SHOCK-ABSORBER SUSPA RD10 120N        | AMORTIGUADOR SUSPA RD10 120N            | AMORTISSEUR SUSPA RD10 120N          |
| 2  | 422360   | SUPPORT BASE                          | APOYO BASE                              | BASE APPUI                           |
| 3  | 149526   | BICR.WASHER B DIN125-ST 6,4           | ARAN.B DIN125-ST B.TRI. 6,4             | BICR.WASHER B DIN125-ST 6,4          |
| 4  | 149518   | BICR.WASHER B DIN125-ST 8,4           | ARAN.B DIN125-ST B.TRI. 8,4             | RONDELLE.B DIN125-ST BICR.8,4        |
| 5  | 149500   | BICR.WASHER B DIN125-ST 10,5          | ARAN.B DIN125-ST B.TRI.10,5             | RONDELLE B DIN125-ST BICR.10,5       |
| 6  | 261529   | WASHER 25X8,5X4                       | ARANDELA 25X8.5X4 TRIVALEN.             | RONDELLE 25X8,5X4                    |
| 7  | 600544   | DRAIN G3-O-90                         | DESAGÜE G3-O-90                         | VIDANGE G3-O-90                      |
| 8  | 10163822 | LEVOROTATION SPRING SUSPENSION        | MUELLE SUSPENSION LEVOGIRO              | RESSORT SUSPENSION LEVOGYRE          |
| 9  | 10187979 | DEXTROROTATION SPRING SUSPENSION      | MUELLE SUSPENSION DEXTROGIRO            | RESSORT SUSPENSION DEXTROGYRE        |
| 10 | 432211   | BASE LANE PROFILE                     | PERFIL LONGITUDINAL BASE                | PROFILE LONGITUDINAL BASE            |
| 11 | 432195   | BASE CROSS PROFILE                    | PERFIL TRANSVERSAL BASE                 | PROFILE TRANSVERSAL BASE             |
| 12 | 340695   | SHOCK-ABSORBER PLATE                  | PLATINA AMORTIGUADORES                  | PLAQUE AMORTISSEURS                  |
| 13 | 340828   | TRAS.SHOCK-ABSORBER PLATE             | PLATINA AMORTIGUADORES TRAS.            | PLAQUE AMORTISSEURS TRAS.            |
| 14 | 340679   | SHOCK-ABSORBER BRACKET                | SOPORTE AMORTIGUADOR                    | SUPPORT AMORTISSEUR                  |
| 15 | 432161   | DRAIN BRACKET                         | SOPORTE DESAGÜE                         | SUPPORT VIDANGE                      |
| 16 | 333351   | RIGHT SPRING BRACKET                  | SOPORTE MUELLE A DERECHAS               | SUPPORT RESORT À DROITES             |
| 17 | 10126498 | LEVOROTATION SPRING SUPPORT           | SOPORTE MUELLE LEVOGIRO                 | SUPPORT RESSORT LEVOGYRE             |
| 18 | 175653   | COUNTERSUNK SCREW DIN 7991 10,9 M8x25 | TORNILLO AVELLANADO DIN 7991 10,9 M8x25 | VIS FRAISEE DIN 7991 10,9 M8x25      |
| 19 | 147009   | HEX SCREW 8G DIN 933 M-10X25          | TOR.EX.DIN933-8.8 B.TRI.M10X25          | VIS HEX. DIN 933 M-10X25 8G          |
| 20 | 146233   | BICR.HEX SCREW DIN933-8 M6X15         | TOR.EX.DIN933-8.8 B.TRI.M 6X15          | VIS HEX DIN933-8.8 BICR.M6X15        |
| 21 | 192849   | BIC.HEX SCREW DIN933-8 M-8X25         | TOR.EX.DIN933-8.8 B.TRI.M 8X25          | VIS HEX.DIN933-8,8 BICR.M-8X25       |
| 22 | 191726   | HEX SCREW 8G DIN933 M 8X 45           | TOR.EX.DIN933-8.8 B.TRI.M 8X45          | VIS HEX.8G DIN933 M 8X 45            |
| 23 | 164285   | SELF-LOCKING NUT DIN985-8 B.TRI.M8    | TUER.AUTOBL.DIN985-8 B.TRI.M8           | ECROU AUTOBLOCANT DIN985-8 B.TRI.M8  |
| 24 | 150649   | SELF-LOCKING NUT DIN985-8 B.TRI.M10   | TUER.AUTOB.DIN985-8 B.TRI.M10           | ECROU AUTOBLOCANT DIN985-8 B.TRI.M10 |

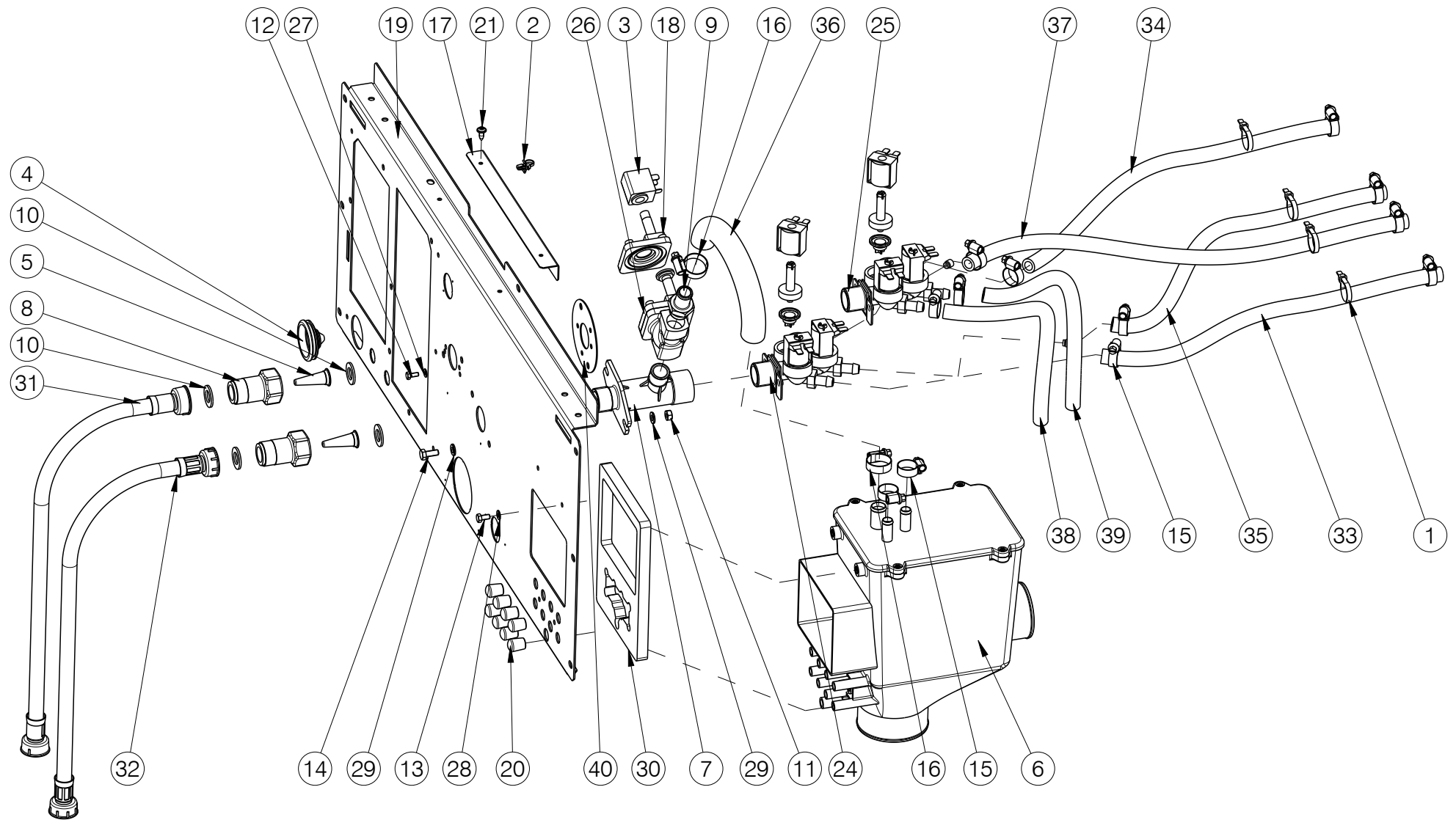


| Nº | REF    | DENOMINATION                               | DENOMINACIÓN                           | DENOMINATION                                    |
|----|--------|--|--|---|
| 1  | 428128 | UPPER COVER<br>(INOX)                      | TAPA SUPERIOR<br>(INOX)                | COUVERCLE SUPERIEUR<br>(INOX)                   |
| 2  | 144261 | ALLEN SCREW DIN 912 M-5X10                 | TOR.ALLDIN912-8.8 B.TRI.M 5X10         | VIS ALLEN DIN 912 M-5X10                        |
| 3  | 428011 | LANE ANGLE                                 | ANGULO LONGITUDINAL                    | ANGLE LONGITUDINAL                              |
| 4  | 165019 | CAGED NUT M-6 0,5-1,5 R.310007-9           | TUER.ENJ.M6 0,5-1,5 R.310007-9         | *ECROU PRESIONER M-6 0,5-1,5 R.310007-9         |
| 5  | 439000 | COVER ABSORBER PROFILE                     | PERFIL AMORTIGUADOR TAPA               | PROFILE AMORTISSEUR COUVERCLE                   |
| 6  | 517136 | UPPER SOAP DISPENSER LID CC-USA<br>(EH030) | TAPA DOSIFICADOR SUP.CC-USA<br>(EH030) | COUVERCLE BAC A PRODUITS SUP. CC-USA<br>(EH030) |
| 7  | 517508 | UPPER SOAP DISPENSER LID<br>(HS-6013)      | TAPA DOSIFICADOR SUP.<br>(HS-6013)     | COUVERCLE BAC A PRODUITS SUP.<br>(HS-6013)      |
| 8  | 431593 | TOP COVER HINGE                            | BISAGRA TAPA SUPERIOR                  | CHARNIERE COUVERCLE SUPERIEUR                   |
| 9  | 428169 | LOWER COVER AND PANEL PROFILE              | PERFIL PANEL Y TAPA INFERIOR           | PROF PANNEAU ET COUVERCLE INF                   |
| 10 | 428177 | FRONT COVER PROFILE                        | PERFIL TAPAS FRONTALES                 | PROFILE COUVERCLE FRONTALE                      |
| 11 | 444398 | FRAME FIXATION SLEEVE                      | CASQUILLO FIJACION MARCO               | FRETTE FIXATION CADRE                           |
| 12 | 427914 | FRONT COVER FIXING-PIECE                   | FIJACION TAPA FRONTAL                  | FIXATION COUVERCLE FRONTAL                      |
| 13 | 427898 | LEFT FRONT COVER<br>(INOX)                 | TAPA FRONTAL IZQUIERDA<br>(INOX)       | COUVERCLE FRONTAL GAUCHE<br>(INOX)              |
| 14 | 445122 | LEFT FRONT COVER<br>(PRE-COATED)           | TAPA FRONTAL IZQUIERDA<br>(PRE-COATED) | COUVERCLE FRONTAL GAUCHE<br>(PRE-COATED)        |
| 15 | 341438 | CASTING MGS-1-01                           | MOLDURA MGS-1-01                       | MOULE MGS-1-01                                  |
| 16 | 432542 | HARNESS CONDUCTION                         | CONDUCCION CABLEADO                    | CONDUITE CABLAGE                                |
| 17 | 150177 | BICR HEX NUT DIN934-8 M5                   | TUER.EX.DIN934-8 B.TRI.M 5             | ECROU HEX DIN934-8 BIC.M5                       |
| 18 | 146274 | BICR.HEX SCREW DIN933-8 M-5X10             | TOR.EX.DIN933-8.8 B.TRI.M 5X10         | VIS HEX.BICR.DIN933-8.8 M-5X10                  |
| 19 | 146233 | BICR.HEX SCREW DIN933-8 M6X15              | TOR.EX.DIN933-8.8 B.TRI.M 6X15         | VIS HEX DIN933-8.8 BICR.M6X15                   |
| 20 | 423327 | HOSE FIXING PROFILE                        | PERFIL FIJACION TUBOS                  | PROFILE FIXATION TUBES                          |
| 21 | 428060 | LEFT SIDE PANEL<br>(INOX)                  | TAPA LATERAL IZQUIERDA<br>(INOX)       | COUVERCLE LATERAL GAUCHE<br>(INOX)              |
| 22 | 444943 | LEFT SIDE PANEL<br>(PRE-COATED)            | TAPA LATERAL IZQUIERDA<br>(PRE-COATED) | COUVERCLE LATERAL GAUCHE<br>(PRE-COATED)        |
| 23 | 196915 | LOCK RE.20.00.02.05                        | CERRADURA REF.20.00.02.05 *            | FERMETURE REF.20.00.02.05                       |
|    | 196923 | LOCK KEY RE.10.41.213                      | LLAVE REF.10.41.213 COMB.T-205         | CLE FERMETURE REF.10.41.213                     |



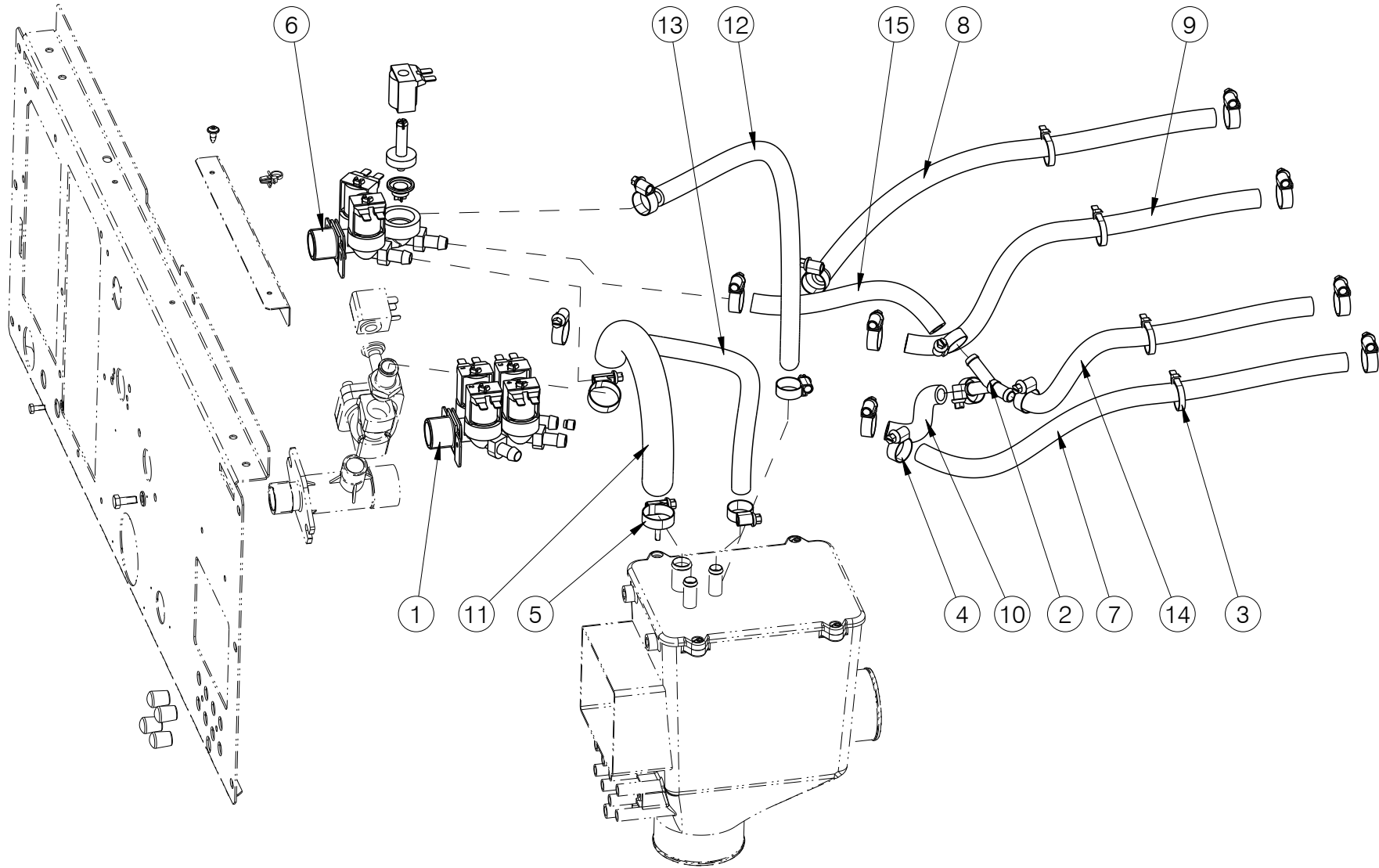
| Nº | REF    | DENOMINATION   | DENOMINACIÓN  | DENOMINATION   |
|----|--------|--|---|--|
| 24 | 427880 | LOWER FRONT COVER<br>(INOX)                            | T. FRONTAL INFERIOR INOX<br>(INOX)                      | COUVERCLE FRONTAL INFERIEUR<br>(INOX)                    |
| 25 | 529255 | LOWER FRONT COVER<br>(PRE-COATED)                      | T. FRONTAL INFERIOR PRECOATED<br>(PRE-COATED)           | COUVERCLE FRONTAL INFERIEUR<br>(PRE-COATED)              |
| 26 | 423129 | MICROSWITCH BRACKET                                    | SOPORTE MICRORRUPTOR                                    | SUPPORT MICRORRUPTEUR                                    |
| 27 | 323048 | MINISWITCH CHERRY E69-60C                              | MINIRRUPTOR CHERRY E69-60C                              | MINIRRUPTEUR CHERRY E69-60C                              |
| 28 | 406298 | PANEL FIXING RENFORT                                   | REFUERZO FIJACION TAPAS                                 | REFORT FIXATION COUVERCLES                               |
| 29 | 183400 | PLATE SCREW ST-4, 20 P.F. C/AL.T25                     | TORNILLO CHAPA ST-4 (ESPECIAL)*                         | VIS PLAQUE ST-4, 20 P.F. C/AL.T25                        |
| 30 | 149153 | PLATE SCREW ST-4, 80 P.C. A/AL.T25                     | TORNILLO CHAPA ST-4 (ESPECIAL)*                         | VIS PLAQUE ST-4, 80 P.C. A/AL.T25                        |
| 31 | 428003 | SOAP DISP.HOLDING DOWN PROFILE                         | PERFIL ANCLAJE DOSIFICADOR                              | PROFILE SCELLEMENT BAD A PROD.                           |
| 32 | 428227 | REAR COVER   | TAPA POSTERIOR  | COUVERCLE ARRIERE  |
| 33 | 428235 | LOWER REAR COVER                                       | TAPA POSTERIOR INFERIOR                                 | COUVERCLE ARRIERE INFERIEUR                              |
| 34 | 323717 | END PIECE  | CANTONERA   | ARRET  |
| 35 | 427906 | RIGHT FRONT COVER<br>(INOX)                            | TAPA FRONTAL DERECHA<br>(INOX)                          | COUVERCLE FRONTAL DROIT<br>(INOX)                        |
| 36 | 445130 | RIGHT FRONT COVER<br>(PRE-COATED)                      | TAPA FRONTAL DERECHA<br>(PRE-COATED)                    | COUVERCLE FRONTAL DROIT<br>(PRE-COATED)                  |
| 37 | 428037 | RIGHT SIDE PANEL<br>(INOX)                             | TAPA LATERAL DERECHA<br>(INOX)                          | COUVERCLE LATERAL DROIT<br>(INOX)                        |
| 38 | 444968 | RIGHT SIDE PANEL<br>(PRE-COATED)                       | TAPA LATERAL DERECHA<br>(PRE-COATED)                    | COUVERCLE LATERAL DROIT<br>(PRE-COATED)                  |
| 39 | 135228 | NUT NUL 506-2A REF. 213048-1                           | TUERCA SEG.NUL 506-2B 213048-1                          | ECROU NUL 506-2A REF. 213048-1                           |
| 40 | 326660 | SCREW 412RFX87T INOXA2 4X12                            | TORNILLO 412RFX87T INOXA2 4X12(ESPECIAL)                | VIS 412RFX87T INOXA2 4X12                                |
| 41 | 322750 | SCREW FDS SF-M5X12 PKS TORX SPER                       | TORNILLO FDS SF-M5X12 (ESPECIAL)*                       | VIS FDS SF-M5X12 PKS TORX SPER                           |
| 42 | 333625 | SCREW T25 A18EST.M6X15 TRI.                            | TOR.ALOM.T25 A18EST.M6X15 TRI.(ESPECIAL)                | VIS T25 A18EST.M6X15 TRI.                                |
| 43 | 333294 | SCREW T25 AR.18ESTR.M 6X15 INOX                        | TORNILLO ALOM.T25 M 6X15 INOX(ESPECIAL)                 | VIS T25 AR.18ESTR.M 6X15 INOX                            |
| 44 | 176834 | SELF-LOCKING NUT DIN985-8 B.TRI.M6                     | TUER.AUTOBL.DIN985-8 B.TRI.M6                           | ECROU AUTOBLOCANT DIN985-8 B.TRI.M6                      |
| 45 | 431742 | SOAP DISPENSER BRACKET                                 | SOPORTE DOSIFICADOR                                     | SUPPORT BAC A PRODUITS                                   |
| 46 | 193540 | MIKALOR QUICK FIXING 211038-8                          | SUJEC.RAPIDA MIKALOR 211038-8                           | FIXATION RAPIDE MIKALOR 211038-8                         |
| 47 | 608034 | STEAM INLET PROTECTION<br>(FOR MACHINES STEAM HEATING) | PROTECCION ENTRADA VAPOR<br>(PARA MODELOS CALEF. VAPOR) | PROTECTION ENTREE VAPEUR<br>(POUR MACHINES CHAUF.VAPEUR) |

| Nº | REF      | DENOMINATION  | DENOMINACIÓN  | DENOMINATION   |
|----|----------|---|---|--|
| 48 | 607580   | STEAM PROTECTION PLATE<br>(FOR MACHINES STEAM HEATING)      | CHAPA PROTECCION VAPOR<br>(PARA MODELOS CALEF. VAPOR)       | PLAQUE PROTECTION VAPEUR<br>(POUR MACHINES CHAUF.VAPEUR)             |
| 49 | 432260   | TOE PLATE   | ZOCALO  | SOCLE  |
| 50 | 445601   | UPPER COVER<br>(PRE-COATED)                                 | TAPA SUPERIOR<br>(PRE-COATED)                               | COUVERCLE SUPERIEUR<br>(PRE-COATED)                                  |
| 51 | 590539   | TOP COVER BLIND PROTECTOR                                   | PROTECTOR TAPA SUPERIOR CIEGA*                              | AVEUGLE SUPERIEUR PROTECTEUR COUVERCLE                               |
| 52 | 242115   | UPPER COVER RENFORT   | REFUERZO TAPA SUPERIOR                                      | REFORT COUVERCLE SUPERIEUR   |
| 53 | 609693   | UPPER COVER SET<br>(WITHOUT SOAP DISPENSER)<br>(PRE-COATED) | CONJUNTO TAPA SUPERIOR<br>(SIN DOSIFICADOR)<br>(PRE-COATED) | ENSEMBLE COUVERCLE SUPERIEUR<br>(NAS BAC A PRODUITS)<br>(PRE-COATED) |
| 54 | 10123933 | UPPER COVER SET<br>(WITHOUT SOAP DISPENSER)<br>(INOX)       | CONJUNTO TAPA SUPERIOR<br>(SIN DOSIFICADOR)<br>(INOX)       | ENSEMBLE COUVERCLE SUPERIEUR<br>(NAS BAC A PRODUITS)<br>(INOX)       |
| 55 | 149534   | BICR.WASHER B DIN125-ST 5,3                                 | ARAN.B DIN125-ST BICR. 5,3                                  | RONDELLE B BICR.DIN125-ST 5,3  |
| 56 | 149526   | BICR.WASHER B DIN125-ST 6,4                                 | ARAN.B DIN125-ST B.TRI. 6,4                                 | BICR.WASHER B DIN125-ST 6,4  |
| 57 | 10011740 | WATER DEFLECTOR   | DEFLECTOR AGUA  | DÉFLECTEUR EAU   |
| 58 | 10068203 | WATER DEFLECTOR   | DEFLECTOR AGUA  | DÉFLECTEUR EAU   |
| 59 | 608265   | STEAM INLET PROTECTION<br>(FOR MACHINES STEAM HEATING)      | PROTECCION ENTRADA VAPOR<br>(PARA MODELOS CALEF. VAPOR)     | PROTECTION ENTREE VAPEUR<br>(POUR MACHINES CHAUF.VAPEUR)             |

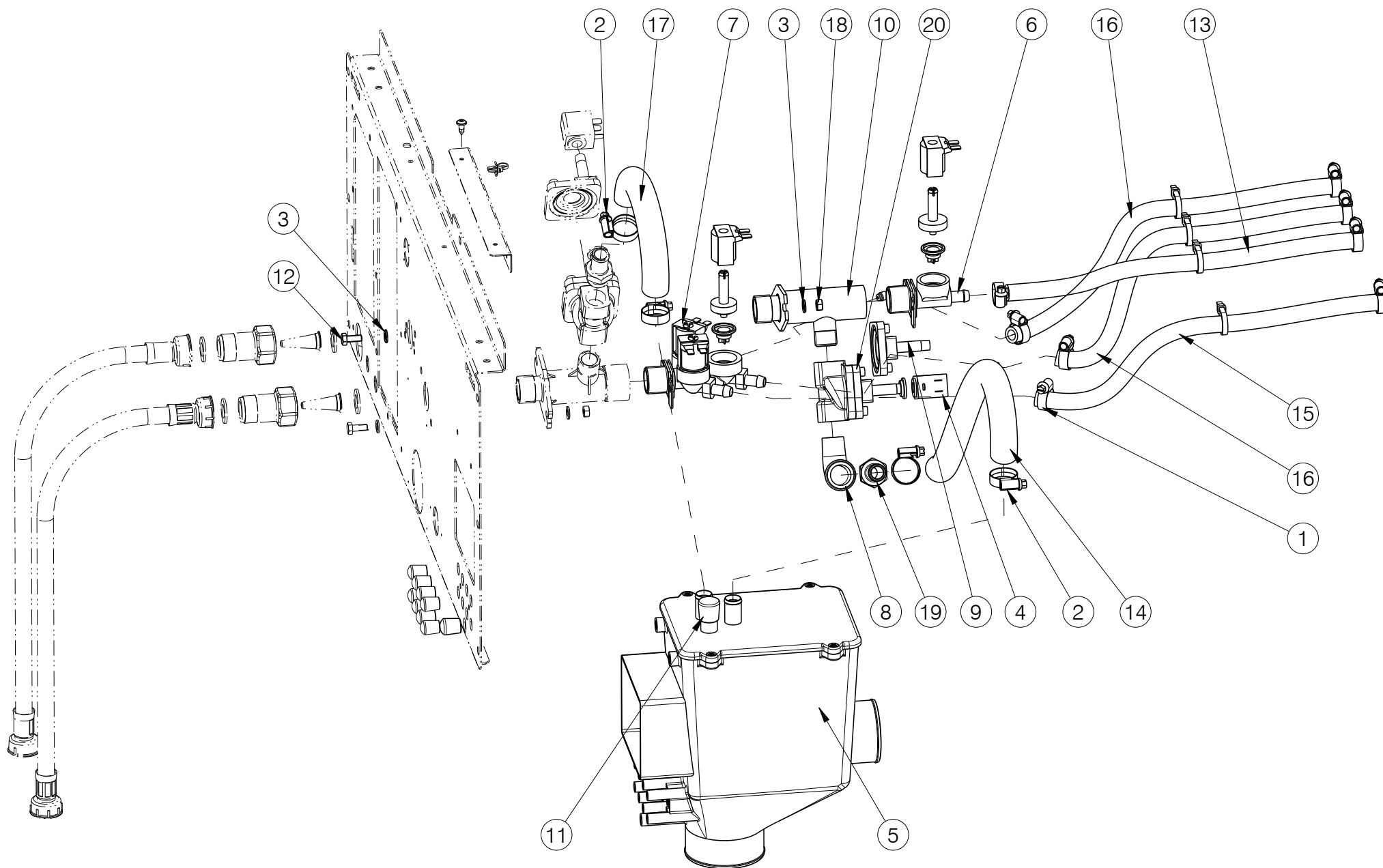


| Nº | REF    | DENOMINATION                     | DENOMINACIÓN                             | DENOMINATION                   |
|----|--------|----------------------------------|--|--------------------------------|
| 1  | 140525 | CLAMP 2244-0                     | BRIDA UNEX 2244-0 *                      | BRIDE 2244-0                   |
| 2  | 326132 | CABLE TIE Ø35 NATURAL            | ABRAZADERA Ø35 NATURAL                   | BRIDE Ø35 NATUREL              |
| 3  | 333716 | COIL AB 5W 12V CC 042N0806       | BOBINA AB 5W 12V CC 042N0806             | BOBINE AB 5W 12V CC 042N0806   |
| 4  | 139683 | CONE ECPC-6                      | CONO HIMEL ECPC-6                        | CONE ECPC-6                    |
| 5  | 315614 | CONICAL FILTER REF.4008-2-1      | FILTRO CONICO REF.4008-2-1               | FILTRE CONIQUE REF.4008-2-1    |
| 6  | 339689 | DISTRIBUTOR                      | DISTRIBUIDOR                             | DISTRIBUTEUR                   |
| 7  | 333682 | ELECTROVALVE BRACKET             | SOPORTE ELECTROVALVULAS                  | SUPPORT ELECTROVANNES          |
| 8  | 315317 | FILTER BODY                      | CUERPO FILTRO                            | CORPS FILTRE                   |
| 9  | 333690 | FIG. 243 MI 1/2" BRASS           | FIGURA 243 MI DE 1/2" LATON              | FIG. 243 MI 1/2" LAITON        |
| 10 | 114348 | GASKET D24XD13,5X2               | JUNTA MIFLEX D24X13, 5X2 EPDM WRC 400105 | JOINT D24XD13,5X2              |
| 11 | 150227 | BICR HEX NUT DIN934-8 M6         | TUER.EX.DIN934-8 B.TRI.M 6               | ECROU HEX DIN934-8 BICR.M6     |
| 12 | 146258 | BIC.HEX SCREW DIN933-4.8 M4X10   | TOR.EX.DIN933-4.8 B.TRI.M 4X10           | VIS HEX DIN933-4.8 BICR.M 4X10 |
| 13 | 146274 | BICR.HEX SCREW DIN933-8 M-5X10   | TOR.EX.DIN933-8.8 B.TRI.M 5X10           | VIS HEX.BICR.DIN933-8.8 M-5X10 |
| 14 | 146233 | BICR.HEX SCREW DIN933-8 M6X15    | TOR.EX.DIN933-8.8 B.TRI.M 6X15           | VIS HEX DIN933-8.8 BICR.M6X15  |
| 15 | 155150 | HOSE CLIP ASFA-L W2 8-16         | ABRAZADERA ASFA-L W2 8-16                | COLLIER ASFA-L W2 8-16         |
| 16 | 156109 | CLAMP 16-27                      | ABRAZADERA 16- 27 *                      | BRIDE 16-27                    |
| 17 | 431767 | INSTALLATION FIXING PROFILE      | PERFIL FIJACION INSTALACION              | PROFILE FIXATION INSTALLATION  |
| 18 | 341685 | SPARE-PARTS KIT EV220A 12-14B    | KIT REPUES.EV220A 12-14B *               | KIT RECHANGES EV220A 12-14B    |
| 19 | 432229 | REAR PANEL                       | PANEL POSTERIOR                          | PANNEAU ARRIERE                |
| 20 | 156679 | CONICAL END-PIECE R-16 D10       | TOPE CONICO REPRIMSA R-16 D10            | BOUCHON CONIQUE R-16 D10       |
| 21 | 322750 | SCREW FDS SF-M5X12 PKS TORX SPER | TORNILLO FDS SF-M5X12 (ESPECIAL)*        | VIS FDS SF-M5X12 PKS TORX SPER |
| 22 | 307587 | THREAD SEALANT                   | SELLADOR DE ROSCAS                       | ÉTANCHÉITÉ FILETÉE             |
| 23 | 358184 | THREAD SEALING CORD              | HILO SELLADOR                            | FIBRE D'ETANCHÉITÉ             |
| 24 | 511139 | THREE TRACK ELECTROVALVE         | ELECTROVALVULA TRES VIAS                 | ELECTROVANNE TROIS VOIES       |
|    | 156265 | REGULATOR 3 L/MIN (BLACK)        | REGULADOR DE 3 L/MIN. (NEGRO)            | REGULATEUR 3 L/MIN (NOIR)      |
|    | 510933 | REGULATOR 4 L/MIN.RED            | REGULADOR DE 4L/MIN.ROJO CLARO           | REGULATEUR 4 L/MIN ROUGE       |
|    | 300194 | YELLOW CASE 30053                | ESTUCHE AMARILLO 30053                   | BOITE JAUNE 30053              |
|    | 300202 | INTEGRAL GUIDE-MEMBRANE 30696    | MEMBRANA-GUIA INTEGRAL 30696 *           | MEMBRANE-GUIDE INTEGRALE 30696 |

| Nº | REF      | DENOMINATION                  | DENOMINACIÓN                   | DENOMINATION                   |
|----|----------|-------------------------------|--------------------------------|--------------------------------|
|    | 332296   | COIL 255043000000 12VCC       | BOBINA 255043000000 12VCC      | BOBINE 255043000000 12VCC      |
| 25 | 333674   | TRIPLE ELECTROVALVE 369 180°  | ELECTROV.TRIPLE 369 180°12VCC* | ELECTROVANNE TRIPLE 369 180°   |
|    | 300194   | YELLOW CASE 30053             | ESTUCHE AMARILLO 30053         | BOITE JAUNE 30053              |
|    | 300202   | INTEGRAL GUIDE-MEMBRANE 30696 | MEMBRANA-GUIA INTEGRAL 30696 * | MEMBRANE-GUIDE INTEGRALE 30696 |
|    | 332296   | COIL 255043000000 12VCC       | BOBINA 255043000000 12VCC      | BOBINE 255043000000 12VCC      |
| 26 | 333708   | VALVE EV220A G12 042U4022     | CUERPO VAL.EV220A G12 042U4022 | VANNE EV220A G12 042U4022      |
| 27 | 149476   | BICR.WASHER B DIN125-ST 4,3   | ARAN.B DIN125-ST B.TRI. 4,3    | RONDELLE B DIN125-ST BICR.4,3  |
| 28 | 149534   | BICR.WASHER B DIN125-ST 5,3   | ARAN.B DIN125-ST BICR. 5,3     | RONDELLE B BICR.DIN125-ST 5,3  |
| 29 | 149526   | BICR.WASHER B DIN125-ST 6,4   | ARAN.B DIN125-ST B.TRI. 6,4    | BICR.WASHER B DIN125-ST 6,4    |
| 30 | 10003960 | WATER DEFLECTOR               | DEFLECTOR AGUA                 | DÉFLECTEUR EAU                 |
| 31 | 326587   | WATER INLET AC DI12,5 L1,5M   | TUBO ENTRADA AC DI12,5 L1,5M * | FLEXIBLE ENTRÉE AC DI12,5 L1,5 |
| 32 | 326579   | WATER INLET AF DI12,5 L1,5M   | TUBO ENTRADA AF DI12,5 L1,5M * | FLEXIBLE ENTRÉE AF DI12,5 L,5M |
| 33 | 411363   | WATER INLET HOSE              | TUBO ENTRADA AGUA              | TUBE ENTREE EAU                |
| 34 | 427195   | WATER INLET HOSE              | TUBO ENTRADA AGUA              | TUBE ENTREE EAU                |
| 35 | 427195   | WATER INLET HOSE              | TUBO ENTRADA AGUA              | TUBE ENTREE EAU                |
| 36 | 429845   | WATER INLET HOSE              | TUBO ENTRADA AGUA              | TUBE ENTREE EAU                |
| 37 | 10919835 | WATER INLET HOSE T 85°C       | TUBO ENTRADA AGUA T 85°C       | TUBE ENTRÉE EAU T 85°C         |
| 38 | 10919850 | WATER INLET TUBE              | TUBO ENTRADA AGUA              | TUBE ENTREE EAU                |
| 39 | 10919850 | WATER INLET TUBE              | TUBO ENTRADA AGUA              | TUBE ENTREE EAU                |
| 40 | 606939   | FIXING PLATE VALVE            | CHAPA FIJACION VALVULA         | PLATEAU FIXATION VANNE         |



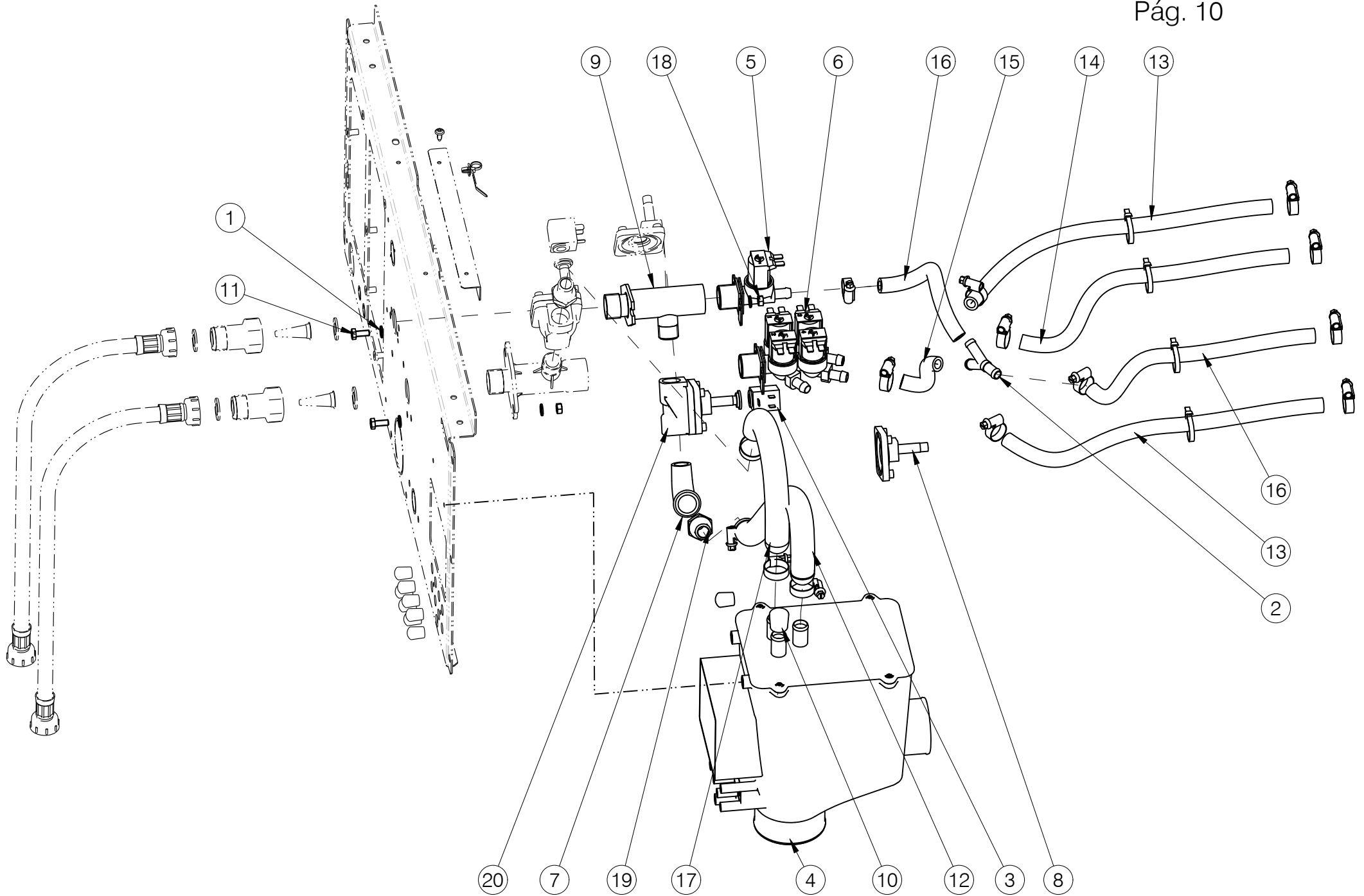
| N° | REF      | DENOMINATION                   | DENOMINACIÓN                   | DENOMINATION                   |
|----|----------|--------------------------------|--------------------------------|--------------------------------|
| 1  | 511212   | 4 TRACK ELECTROVALVE 389 180°C | ELECTROV.CUADRUPLE 389 180° *  | ELECTROVANNE 4 VOIES 389 180°C |
|    | 156265   | REGULATOR 3 L/MIN (BLACK)      | REGULADOR DE 3 L/MIN. (NEGRO)  | REGULATEUR 3 L/MIN (NOIR)      |
|    | 510933   | REGULATOR 4 L/MIN.RED          | REGULADOR DE 4L/MIN.ROJO CLARO | REGULATEUR 4 L/MIN ROUGE       |
|    | 300194   | YELLOW CASE 30053              | ESTUCHE AMARILLO 30053         | BOITE JAUNE 30053              |
|    | 300202   | INTEGRAL GUIDE-MEMBRANE 30696  | MEMBRANA-GUIA INTEGRAL 30696 * | MEMBRANE-GUIDE INTEGRALE 30696 |
|    | 332296   | COIL 255043000000 12VCC        | BOBINA 255043000000 12VCC      | BOBINE 255043000000 12VCC      |
| 2  | 152165   | BRANCH                         | BIFURCACION                    | BIFURCATION                    |
| 3  | 140525   | CLAMP 2244-0                   | BRIDA UNEX 2244-0 *            | BRIDE 2244-0                   |
| 4  | 155150   | HOSE CLIP ASFA-L W2 8-16       | ABRAZADERA ASFA-L W2 8-16      | COLLIER ASFA-L W2 8-16         |
| 5  | 156109   | CLAMP 16-27                    | ABRAZADERA 16- 27 *            | BRIDE 16-27                    |
| 6  | 333674   | TRIPLE ELECTROVALVE 369 180°   | ELECTROV.TRIPLE 369 180°12VCC* | ELECTROVANNE TRIPLE 369 180°   |
|    | 300194   | YELLOW CASE 30053              | ESTUCHE AMARILLO 30053         | BOITE JAUNE 30053              |
|    | 300202   | INTEGRAL GUIDE-MEMBRANE 30696  | MEMBRANA-GUIA INTEGRAL 30696 * | MEMBRANE-GUIDE INTEGRALE 30696 |
|    | 332296   | COIL 255043000000 12VCC        | BOBINA 255043000000 12VCC      | BOBINE 255043000000 12VCC      |
| 7  | 411389   | WATER INLET HOSE               | TUBO ENTRADA AGUA              | TUBE ENTREE EAU                |
| 8  | 411389   | WATER INLET HOSE               | TUBO ENTRADA AGUA              | TUBE ENTREE EAU                |
| 9  | 427195   | WATER INLET HOSE               | TUBO ENTRADA AGUA              | TUBE ENTREE EAU                |
| 10 | 429829   | WATER INLET HOSE               | TUBO ENTRADA AGUA              | TUBE ENTREE EU                 |
| 11 | 429845   | WATER INLET HOSE               | TUBO ENTRADA AGUA              | TUBE ENTREE EAU                |
| 12 | 10920080 | WATER INLET HOSE T 85°C        | TUBO ENTRADA AGUA T 85°C       | TUBE ENTRÉE EAU T 85°C         |
| 13 | 10920122 | WATER INLET HOSE T 85°C        | TUBO ENTRADA AGUA T 85°C       | TUBE ENTREE EAU T 85°C         |
| 14 | 10920148 | WATER INLET HOSE T 85°C        | TUBO ENTRADA AGUA T 85°C       | TUBE ENTRÉE EAU T 85°C         |
| 15 | 10920148 | WATER INLET HOSE T 85°C        | TUBO ENTRADA AGUA T 85°C       | TUBE ENTRÉE EAU T 85°C         |





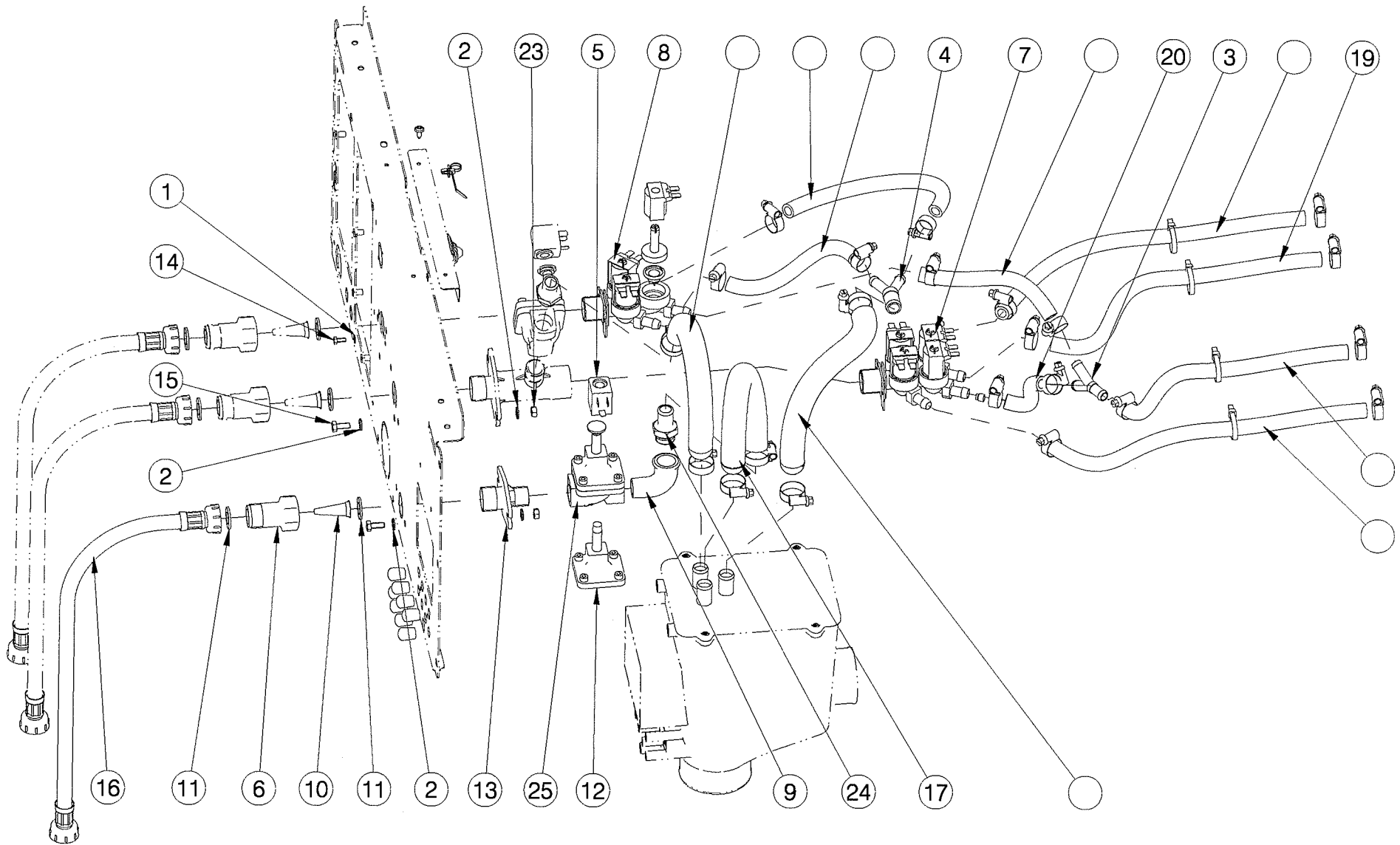
| Nº | REF    | DENOMINATION                  | DENOMINACIÓN                   | DENOMINATION                   |
|----|--------|-------------------------------|--------------------------------|--------------------------------|
| 1  | 155150 | HOSE CLIP ASFA-L W2 8-16      | ABRAZADERA ASFA-L W2 8-16      | COLLIER ASFA-L W2 8-16         |
| 2  | 156109 | CLAMP 16-27                   | ABRAZADERA 16- 27 *            | BRIDE 16-27                    |
| 3  | 149526 | BICR.WASHER B DIN125-ST 6,4   | ARAN.B DIN125-ST B.TRI. 6,4    | BICR.WASHER B DIN125-ST 6,4    |
| 4  | 333716 | COIL AB 5W 12V CC 042N0806    | BOBINA AB 5W 12V CC 042N0806   | BOBINE AB 5W 12V CC 042N0806   |
| 5  | 333658 | DISTRIBUTOR                   | DISTRIBUIDOR                   | DISTRIBUTEUR                   |
| 6  | 323329 | SIMPLE ELECTROVALVE 329 180   | ELECTROV.SIMPLE 329 180        | ELECTROVANNE SIMPLE 329 180    |
|    | 156265 | REGULATOR 3 L/MIN (BLACK)     | REGULADOR DE 3 L/MIN. (NEGRO)  | REGULATEUR 3 L/MIN (NOIR)      |
|    | 300194 | YELLOW CASE 30053             | ESTUCHE AMARILLO 30053         | BOITE JAUNE 30053              |
|    | 300202 | INTEGRAL GUIDE-MEMBRANE 30696 | MEMBRANA-GUIA INTEGRAL 30696 * | MEMBRANE-GUIDE INTEGRALE 30696 |
|    | 332296 | COIL 255043000000 12VCC       | BOBINA 255043000000 12VCC      | BOBINE 255043000000 12VCC      |
| 7  | 511139 | THREE TRACK ELECTROVALVE      | ELECTROVALVULA TRES VIAS       | ELECTROVANNE TROIS VOIES       |
|    | 156265 | REGULATOR 3 L/MIN (BLACK)     | REGULADOR DE 3 L/MIN. (NEGRO)  | REGULATEUR 3 L/MIN (NOIR)      |
|    | 510933 | REGULATOR 4 L/MIN.RED         | REGULADOR DE 4L/MIN.ROJO CLARO | REGULATEUR 4 L/MIN ROUGE       |
|    | 300194 | YELLOW CASE 30053             | ESTUCHE AMARILLO 30053         | BOITE JAUNE 30053              |
|    | 300202 | INTEGRAL GUIDE-MEMBRANE 30696 | MEMBRANA-GUIA INTEGRAL 30696 * | MEMBRANE-GUIDE INTEGRALE 30696 |
|    | 332296 | COIL 255043000000 12VCC       | BOBINA 255043000000 12VCC      | BOBINE 255043000000 12VCC      |
| 8  | 129494 | ELBOW FIG 92 1/2" GALV        | FIGURA 92 DE 1/2"AMAT GALV.    | COUDE FIG 92 1/2" GALV         |
| 9  | 341685 | SPARE-PARTS KIT EV220A 12-14B | KIT REPUES.EV220A 12-14B *     | KIT RECHANGES EV220A 12-14B    |
| 10 | 552133 | ELECTROVALVE BRACKET          | SOPORTE ELECTROVALVULAS        | SUPPORT ELECTROVANNES          |
| 11 | 156687 | CONICAL END-PIECE R-16 D16    | TOPE CONICO REPRIMSA R-16 D16  | ARRET CONIQUE R-16 D16         |
| 12 | 146233 | BICR.HEX SCREW DIN933-8 M6X15 | TOR.EX.DIN933-8.8 B.TRI.M 6X15 | VIS HEX DIN933-8.8 BICR.M6X15  |
| 13 | 358085 | WATER INLET HOSE              | TUBO ENTRADA AGUA              | TUBE ENTREE EAU                |
| 14 | 411199 | WATER INLET HOSE              | TUBO ENTRADA AGUA              | TUBE ENTRÉE EAU                |
| 15 | 411363 | WATER INLET HOSE              | TUBO ENTRADA AGUA              | TUBE ENTREE EAU                |
| 16 | 427195 | WATER INLET HOSE              | TUBO ENTRADA AGUA              | TUBE ENTREE EAU                |
| 17 | 429845 | WATER INLET HOSE              | TUBO ENTRADA AGUA              | TUBE ENTREE EAU                |
| 18 | 150227 | BICR HEX NUT DIN934-8 M6      | TUER.EX.DIN934-8 B.TRI.M 6     | ECROU HEX DIN934-8 BICR.M6     |
| 19 | 333690 | FIG. 243 MI 1/2" BRASS        | FIGURA 243 MI DE 1/2" LATON    | FIG. 243 MI 1/2" LAITON        |

| N° | REF    | DENOMINATION              | DENOMINACIÓN                   | DENOMINATION              |
|----|--------|---------------------------|--------------------------------|---------------------------|
| 20 | 333708 | VALVE EV220A G12 042U4022 | CUERPO VAL.EV220A G12 042U4022 | VANNE EV220A G12 042U4022 |



| N° | REF    | DENOMINATION                   | DENOMINACIÓN                   | DENOMINATION                   |
|----|--------|--------------------------------|--------------------------------|--------------------------------|
| 1  | 149526 | BICR.WASHER B DIN125-ST 6,4    | ARAN.B DIN125-ST B.TRI. 6,4    | BICR.WASHER B DIN125-ST 6,4    |
| 2  | 152165 | BRANCH                         | BIFURCACION                    | BIFURCATION                    |
| 3  | 333716 | COIL AB 5W 12V CC 042N0806     | BOBINA AB 5W 12V CC 042N0806   | BOBINE AB 5W 12V CC 042N0806   |
| 4  | 333658 | DISTRIBUTOR                    | DISTRIBUIDOR                   | DISTRIBUTEUR                   |
| 5  | 323329 | SIMPLE ELECTROVALVE 329 180    | ELECTROV.SIMPLE 329 180        | ELECTROVANNE SIMPLE 329 180    |
|    | 156265 | REGULATOR 3 L/MIN (BLACK)      | REGULADOR DE 3 L/MIN. (NEGRO)  | REGULATEUR 3 L/MIN (NOIR)      |
|    | 300194 | YELLOW CASE 30053              | ESTUCHE AMARILLO 30053         | BOITE JAUNE 30053              |
|    | 300202 | INTEGRAL GUIDE-MEMBRANE 30696  | MEMBRANA-GUIA INTEGRAL 30696 * | MEMBRANE-GUIDE INTEGRALE 30696 |
|    | 332296 | COIL 255043000000 12VCC        | BOBINA 255043000000 12VCC      | BOBINE 255043000000 12VCC      |
| 6  | 511212 | 4 TRACK ELECTROVALVE 389 180°C | ELECTROV.CUADRUPLE 389 180° *  | ELECTROVANNE 4 VOIES 389 180°C |
|    | 156265 | REGULATOR 3 L/MIN (BLACK)      | REGULADOR DE 3 L/MIN. (NEGRO)  | REGULATEUR 3 L/MIN (NOIR)      |
|    | 510933 | REGULATOR 4 L/MIN.RED          | REGULADOR DE 4L/MIN.ROJO CLARO | REGULATEUR 4 L/MIN ROUGE       |
|    | 300194 | YELLOW CASE 30053              | ESTUCHE AMARILLO 30053         | BOITE JAUNE 30053              |
|    | 300202 | INTEGRAL GUIDE-MEMBRANE 30696  | MEMBRANA-GUIA INTEGRAL 30696 * | MEMBRANE-GUIDE INTEGRALE 30696 |
|    | 332296 | COIL 255043000000 12VCC        | BOBINA 255043000000 12VCC      | BOBINE 255043000000 12VCC      |
| 7  | 129494 | ELBOW FIG 92 1/2" GALV         | FIGURA 92 DE 1/2"AMAT GALV.    | COUDE FIG 92 1/2" GALV         |
| 8  | 341685 | SPARE-PARTS KIT EV220A 12-14B  | KIT REPUES.EV220A 12-14B *     | KIT RECHANGES EV220A 12-14B    |
| 9  | 552133 | ELECTROVALVE BRACKET           | SOPORTE ELECTROVALVULAS        | SUPPORT ELECTROVANNES          |
| 10 | 156687 | CONICAL END-PIECE R-16 D16     | TOPE CONICO REPRIMSA R-16 D16  | ARRET CONIQUE R-16 D16         |
| 11 | 146233 | BICR.HEX SCREW DIN933-8 M6X15  | TOR.EX.DIN933-8.8 B.TRI.M 6X15 | VIS HEX DIN933-8.8 BICR.M6X15  |
| 12 | 411199 | WATER INLET HOSE               | TUBO ENTRADA AGUA              | TUBE ENTRÉE EAU                |
| 13 | 411389 | WATER INLET HOSE               | TUBO ENTRADA AGUA              | TUBE ENTREE EAU                |
| 14 | 427195 | WATER INLET HOSE               | TUBO ENTRADA AGUA              | TUBE ENTREE EAU                |
| 15 | 429829 | WATER INLET HOSE               | TUBO ENTRADA AGUA              | TUBE ENTREE EU                 |
| 16 | 429837 | WATER INLET HOSE               | TUBO ENTRADA AGUA              | TUBE ENTREE EAU                |
| 17 | 429852 | WATER INLET HOSE               | TUBO ENTRADA AGUA              | TUBE ENTREE EAU                |
| 18 | 150227 | BICR HEX NUT DIN934-8 M6       | TUER.EX.DIN934-8 B.TRI.M 6     | ECROU HEX DIN934-8 BICR.M6     |
| 19 | 333690 | FIG. 243 MI 1/2" BRASS         | FIGURA 243 MI DE 1/2" LATON    | FIG. 243 MI 1/2" LAITON        |

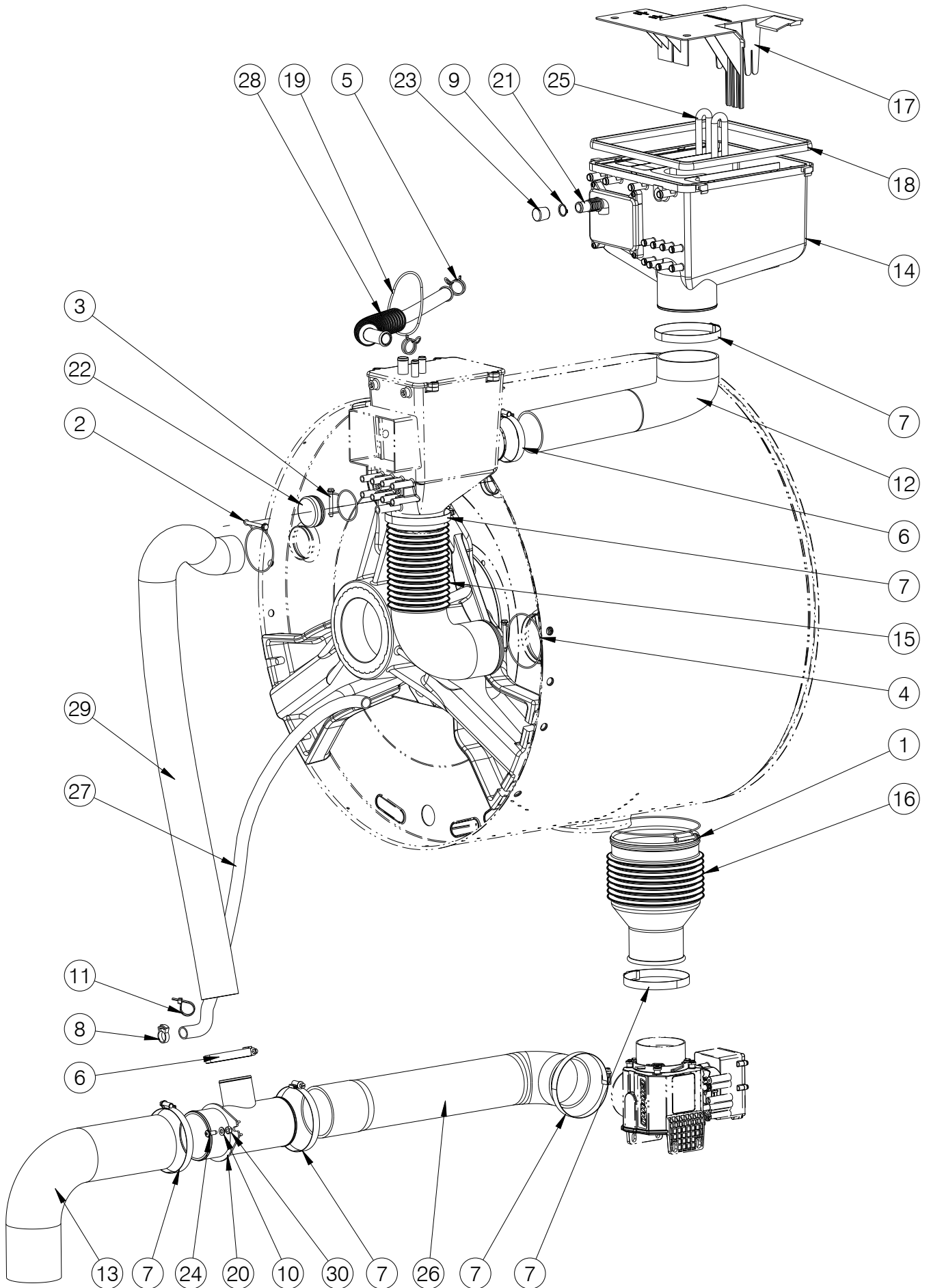
| N° | REF    | DENOMINATION              | DENOMINACIÓN                   | DENOMINATION              |
|----|--------|---------------------------|--------------------------------|---------------------------|
| 20 | 333708 | VALVE EV220A G12 042U4022 | CUERPO VAL.EV220A G12 042U4022 | VANNE EV220A G12 042U4022 |



| N° | REF    | DENOMINATION                   | DENOMINACIÓN                             | DENOMINATION                   |
|----|--------|--------------------------------|--|--------------------------------|
| 1  | 149476 | BICR.WASHER B DIN125-ST 4,3    | ARAN.B DIN125-ST B.TRI. 4,3              | RONDELLE B DIN125-ST BICR.4,3  |
| 2  | 149526 | BICR.WASHER B DIN125-ST 6,4    | ARAN.B DIN125-ST B.TRI. 6,4              | BICR.WASHER B DIN125-ST 6,4    |
| 3  | 152165 | BRANCH                         | BIFURCACION                              | BIFURCATION                    |
| 4  | 321463 | BRANCH OF 16-10,5-10,5         | BIFURCACION DE 16-10,5-10,5              | BIFURCATION DE 16-10,5-10,5    |
| 5  | 333716 | COIL AB 5W 12V CC 042N0806     | BOBINA AB 5W 12V CC 042N0806             | BOBINE AB 5W 12V CC 042N0806   |
| 6  | 315317 | FILTER BODY                    | CUERPO FILTRO                            | CORPS FILTRE                   |
| 7  | 511212 | 4 TRACK ELECTROVALVE 389 180°C | ELECTROV.CUADRUPLE 389 180° *            | ELECTROVANNE 4 VOIES 389 180°C |
|    | 156265 | REGULATOR 3 L/MIN (BLACK)      | REGULADOR DE 3 L/MIN. (NEGRO)            | REGULATEUR 3 L/MIN (NOIR)      |
|    | 510933 | REGULATOR 4 L/MIN.RED          | REGULADOR DE 4L/MIN.ROJO CLARO           | REGULATEUR 4 L/MIN ROUGE       |
|    | 300194 | YELLOW CASE 30053              | ESTUCHE AMARILLO 30053                   | BOITE JAUNE 30053              |
|    | 300202 | INTEGRAL GUIDE-MEMBRANE 30696  | MEMBRANA-GUIA INTEGRAL 30696 *           | MEMBRANE-GUIDE INTEGRALE 30696 |
|    | 332296 | COIL 255043000000 12VCC        | BOBINA 255043000000 12VCC                | BOBINE 255043000000 12VCC      |
| 8  | 333674 | TRIPLE ELECTROVALVE 369 180°   | ELECTROV.TRIPLE 369 180°12VCC*           | ELECTROVANNE TRIPLE 369 180°   |
|    | 300194 | YELLOW CASE 30053              | ESTUCHE AMARILLO 30053                   | BOITE JAUNE 30053              |
|    | 300202 | INTEGRAL GUIDE-MEMBRANE 30696  | MEMBRANA-GUIA INTEGRAL 30696 *           | MEMBRANE-GUIDE INTEGRALE 30696 |
|    | 332296 | COIL 255043000000 12VCC        | BOBINA 255043000000 12VCC                | BOBINE 255043000000 12VCC      |
| 9  | 129494 | ELBOW FIG 92 1/2" GALV         | FIGURA 92 DE 1/2"AMAT GALV.              | COUDE FIG 92 1/2" GALV         |
| 10 | 315614 | CONICAL FILTER REF.4008-2-1    | FILTRO CONICO REF.4008-2-1               | FILTRE CONIQUE REF.4008-2-1    |
| 11 | 114348 | GASKET D24XD13,5X2             | JUNTA MIFLEX D24X13, 5X2 EPDM WRC 400105 | JOINT D24XD13,5X2              |
| 12 | 341685 | SPARE-PARTS KIT EV220A 12-14B  | KIT REPUES.EV220A 12-14B *               | KIT RECHANGES EV220A 12-14B    |
| 13 | 338152 | ELECTROVALVE BRACKET           | SOPORTE ELECTROVALVULAS                  | SUPPORT ELECTROVANNES          |
| 14 | 146258 | BIC.HEX SCREW DIN933-4.8 M4X10 | TOR.EX.DIN933-4.8 B.TRI.M 4X10           | VIS HEX DIN933-4.8 BICR.M 4X10 |
| 15 | 146233 | BICR.HEX SCREW DIN933-8 M6X15  | TOR.EX.DIN933-8.8 B.TRI.M 6X15           | VIS HEX DIN933-8.8 BICR.M6X15  |
| 16 | 326587 | WATER INLET AC DI12,5 L1,5M    | TUBO ENTRADA AC DI12,5 L1,5M *           | FLEXIBLE ENTRÉE AC DI12,5 L1,5 |
| 17 | 411199 | WATER INLET HOSE               | TUBO ENTRADA AGUA                        | TUBE ENTRÉE EAU                |
| 18 | 411389 | WATER INLET HOSE               | TUBO ENTRADA AGUA                        | TUBE ENTREE EAU                |
| 19 | 427195 | WATER INLET HOSE               | TUBO ENTRADA AGUA                        | TUBE ENTREE EAU                |
| 20 | 429829 | WATER INLET HOSE               | TUBO ENTRADA AGUA                        | TUBE ENTREE EU                 |

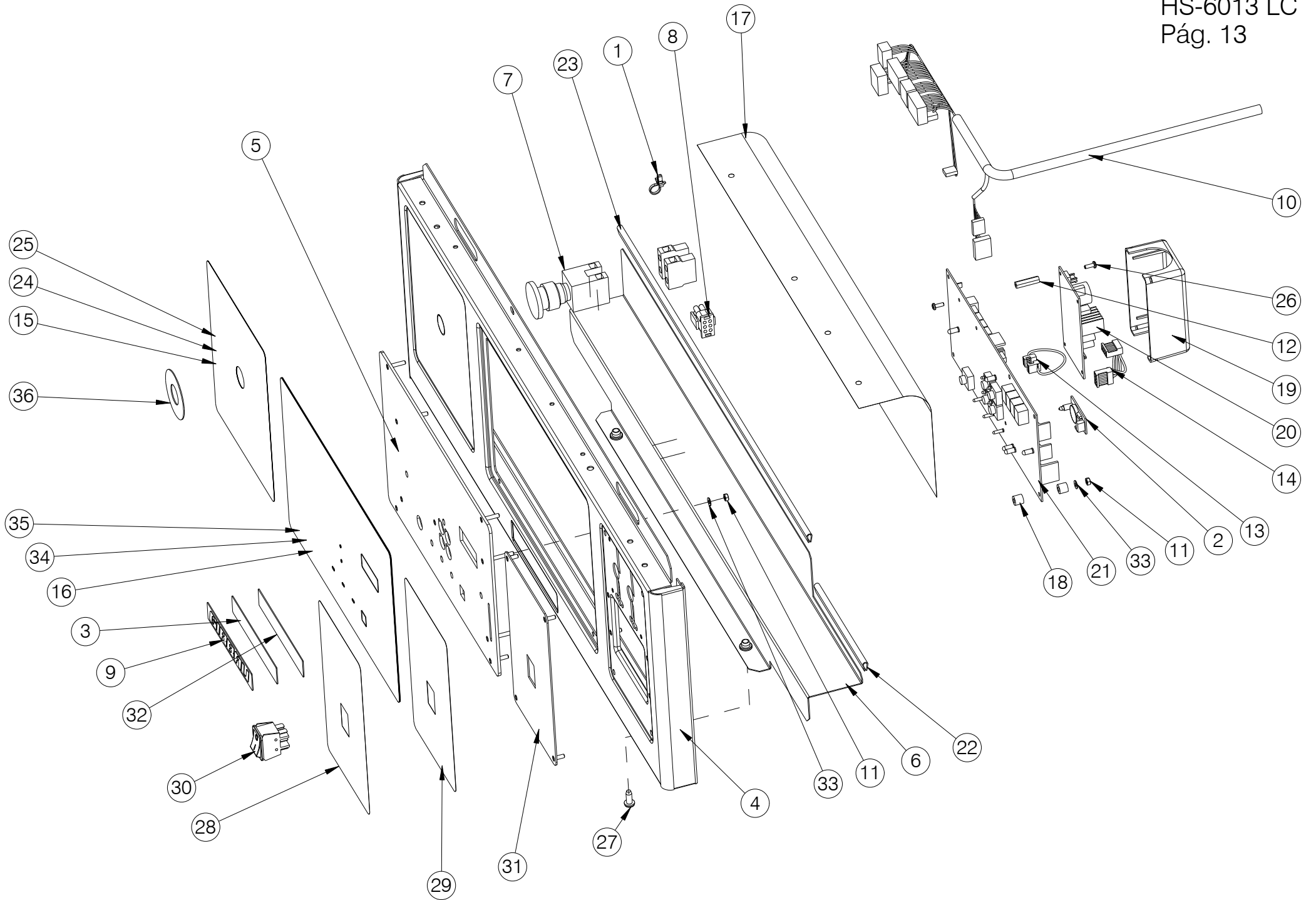
| N°     | REF    | DENOMINATION              | DENOMINACIÓN                   | DENOMINATION               |
|--------|--------|---------------------------|--------------------------------|----------------------------|
| 21     | 429837 | WATER INLET HOSE          | TUBO ENTRADA AGUA              | TUBE ENTREE EAU            |
| 22     | 429845 | WATER INLET HOSE          | TUBO ENTRADA AGUA              | TUBE ENTREE EAU            |
| 23     | 150227 | BICR HEX NUT DIN934-8 M6  | TUER.EX.DIN934-8 B.TRI.M 6     | ECROU HEX DIN934-8 BICR.M6 |
| 24     | 333690 | FIG. 243 MI 1/2" BRASS    | FIGURA 243 MI DE 1/2" LATON    | FIG. 243 MI 1/2" LAITON    |
| 25     | 333708 | VALVE EV220A G12 042U4022 | CUERPO VAL.EV220A G12 042U4022 | VANNE EV220A G12 042U4022  |
|        |        | THIRD WATER INLET KITS    | KITS TERCERA ENTRADA AGUA      | KITS TROISIEME ENTREE EAU  |
| 793505 |        | THIRD WATER INLET KIT     | KIT TERCERA ENTRADA AGUA       | KIT TROISIEME ENTREE EAU   |





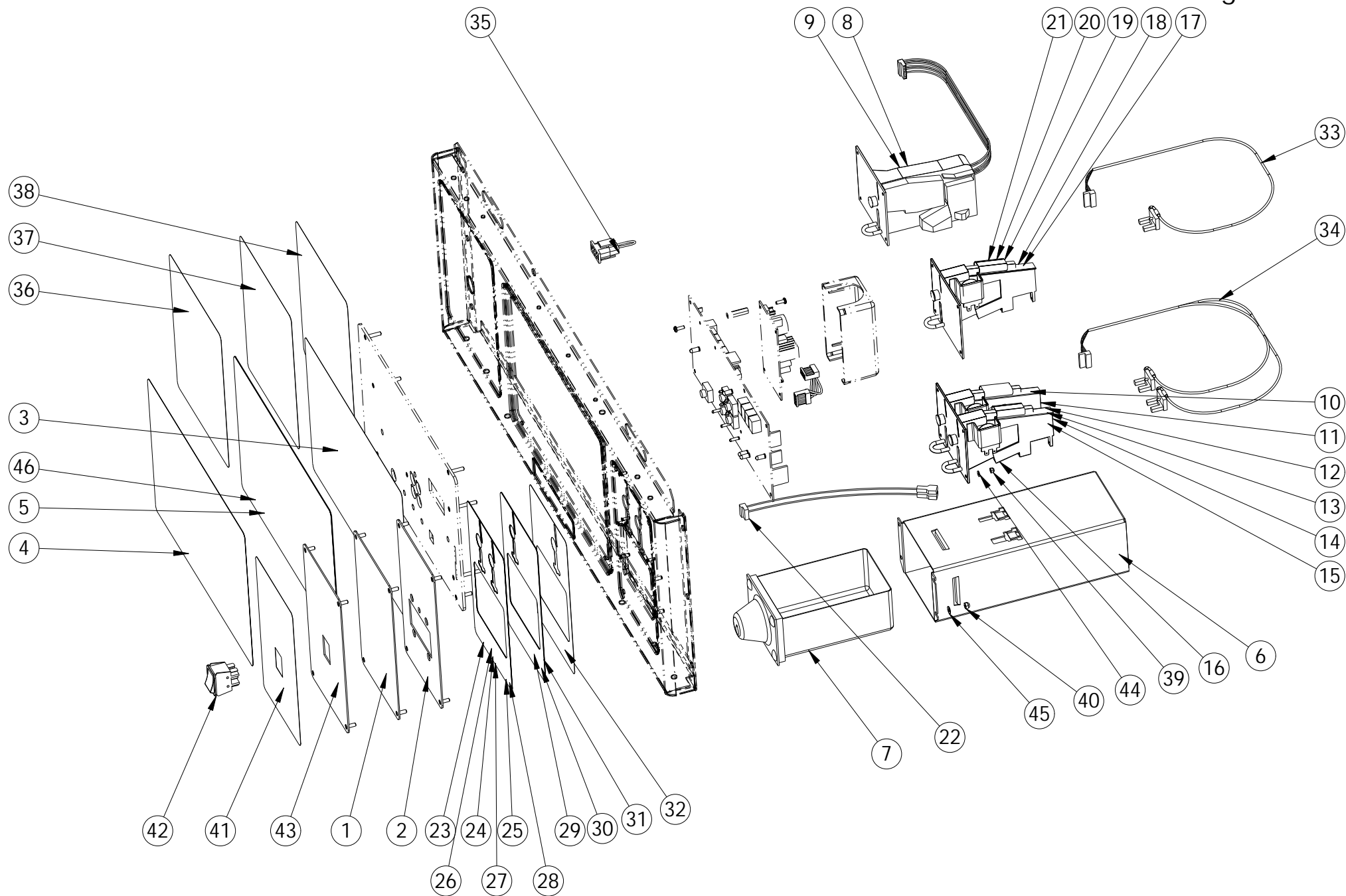
| Nº | REF    | DENOMINATION  | DENOMINACIÓN  | DENOMINATION  |
|----|--------|---|---|---|
| 1  | 333450 | WASHER D137XD2  | ABRAZ.ALAMBRE D137XD2   | RONDELLE D137XD2  |
| 2  | 340505 | WASHER SWHCFS 5850  | ABRAZ.ALAMBRE SWHCFS 5850                                       | RONDELLE SWHCFS 5850  |
| 3  | 350439 | WASHER SWHCFS 4942  | ABRAZ.ALAMBRE SWHCFS 4942                                       | RONDELLE SWHCFS 4942  |
| 4  | 333443 | WASHER SWHCFS 8780  | ABRAZ.ALAMBRE SWHCFS 8780                                       | RONDELLE SWHCFS 8780  |
| 5  | 338897 | CLAMP 20,2  | ABRAZ. F.I.M. 20202 B20,2                                       | BRIDE 20,2  |
| 6  | 132290 | CLAMP 301730-8 D50-70                                     | ABRAZADERA 301730-8 D50-70                                      | BRIDE 301730-8 D50-70   |
| 7  | 132340 | CLAMP REF.30173380-2 D80-100                              | ABRAZADERA REF.30173380-2 D80-100                               | BRIDE REF.30173380-2 D80-100                                    |
| 8  | 323675 | CLAMP NORMA 22HC0593                                      | ABRAZADERA ø15,16-ø16,89  | COLLIER NORMA 22HC0593  |
| 9  | 131508 | FLEXIBLE RING E-17 DIN 471                                | ANILLO ELASTICO E-17 DIN 471                                    | BAGUE ELASTIQUE E-17 DIN 471                                    |
| 10 | 149526 | BICR.WASHER B DIN125-ST 6,4                               | ARAN.B DIN125-ST B.TRI. 6,4                                     | BICR.WASHER B DIN125-ST 6,4                                     |
| 11 | 140525 | CLAMP 2244-0  | BRIDA UNEX 2244-0 *   | BRIDE 2244-0  |
| 12 | 428110 | RUBBER ELBOW 313X67                                       | CODO GOMA 313 X 67  | COUDE GOMME 313X67  |
| 13 | 163253 | DRAIN OUTLET HOSE   | TUBO SALIDA DESAGÜE   | TUBE SORTIE VIDANGE   |
| 14 | 511576 | SOAP DISPENSER SET  | CONJUNTO DOSIFICADOR  | ENSEMBLE BAC A PRODUITS   |
| 15 | 340943 | OUTERDRUM COLLECTOR BELLOWS                               | FUELLE COLECTOR ENVOLVENTE                                      | DURITE COLLECTEUR CUVE  |
| 16 | 333500 | OUTERDRUM DRAIN BELLOWS                                   | FUELLE DESAGÜE ENVOLVENTE                                       | DURITE VIDANGE CUVE   |
| 17 | 344101 | SOAP DOSING INSERTO<br>(EH030)<br>(COIN CTRL MODELS ONLY) | INSERTO DOSIFICADOR<br>(EH030)<br>(PARA MODELOS A COIN CONTROL) | INSERTO BAC A PRODUITS<br>(EH030)<br>(POUR MODELE COIN CONTROL) |
| 18 | 321430 | SOAP DISPENSER GASKET                                     | JUNTA DOSIFICADOR   | JOINT BACS A PRODUITS   |
| 19 | 159681 | TORIC GASKET 50X56X3 RE.2676                              | JUNTA TORICA 50X56X3 RE.2676                                    | JOINT TORIQUE 50X56X3 REF.2676                                  |
| 20 | 333575 | DRAIN SLEEVE  | MANGUITO DESAGÜE  | FRETTE VIDANGE  |
| 21 | 321349 | WATER INLET RACCORD                                       | RACOR ENTRADA AGUA DIRECTA                                      | RACCORD ENTREE EAU  |
| 22 | 349902 | RUBBER PLUG D42   | TAPON GOMA D42  | BOUCHON GOMME D42   |
| 23 | 156687 | CONICAL END-PIECE R-16 D16                                | TOPE CONICO REPRIMSA R-16 D16                                   | ARRET CONIQUE R-16 D16  |
| 24 | 333625 | SCREW T25 A18EST.M6X15 TRI.                               | TOR.ALOM.T25 A18EST.M6X15 TRI.(ESPECIAL)                        | VIS T25 A18EST.M6X15 TRI.                                       |
| 25 | 339598 | ASPIRATION HOSE   | TUBO ASPIRACION   | TUBE ASPIRATION   |
| 26 | 343889 | DRAIN HOSE  | TUBO DESAGUE  | TUBE VIDANGE  |
| 27 | 283820 | BEARING BOX DRAIN HOSE                                    | TUBO DESAGÜE CAJA COJINETES                                     | TUBE VIDANGE BOITE ROULEMENTS                                   |

| N°     | REF    | DENOMINATION                       | DENOMINACIÓN                  | DENOMINATION                        |
|--------|--------|------------------------------------|-------------------------------|-------------------------------------|
| 28     | 338889 | VAPOUR OUTLET HOSE                 | TUBO DESVAPORIZADOR           | TUBE SORTIE CONDENSATS              |
| 29     | 427419 | OVERFLOW HOSE                      | TUBO REBOSADERO               | TUBE DEVERSOIR                      |
| 30     | 176834 | SELF-LOCKING NUT DIN985-8 B.TRI.M6 | TUER.AUTOBL.DIN985-8 B.TRI.M6 | ECROU AUTOBLOCANT DIN985-8 B.TRI.M6 |
|        |        | SECOND DRAIN KIT                   | KIT 2° DESAGÜE                | KIT DEUXIEME VIDANGE                |
| 796854 |        | 2 DRAIN KIT HS-6IC                 | KIT 2° DESAGÜE HS-6IC         | KIT 2 VIDANGE HS-6IC                |
|        |        | WITHOUT ILLUSTRATION               | SIN ILUSTRACION               | SANS ILLUSTRATION                   |
| 796870 |        | SIPHON CLEANING KIT                | KIT LIMPIEZA SIFONES          | KIT NETTOYAGE SIPHON                |



| Nº | REF      | DENOMINATION                                       | DENOMINACIÓN   | DENOMINATION  |
|----|----------|--|--|---|
| 1  | 326132   | CABLE TIE Ø35 NATURAL                              | ABRAZADERA Ø35 NATURAL                                   | BRIDE Ø35 NATUREL   |
| 2  | 322677   | CLOCK CIRCUIT                                      | CIRCUITO RELOJ   | CIRCUIT HORLOGE   |
| 3  | 326082   | PLATE CONTINENTAL GIRBAU                           | PLACA CONTINENTAL GIRBAU                                 | PLAQUE CONTINENTAL GIRBAU                                     |
|    | 10065415 | PLATE POSEIDON                                     | PLACA POSEIDON   | PLAQUE POSEIDON   |
| 4  | 10592343 | CONTROL PANEL                                      | PANEL DE MANDOS  | PANNEAU DE COMMANDES  |
| 5  | 594804   | CONTROL PANEL PLATE                                | PLACA PANEL DE MANDOS                                    | PLAQUE PANNEAU DE COMMANDES                                   |
| 6  | 432518   | CONTROL PANEL PROFILE                              | PERFIL PANEL DE MANDOS                                   | PROFILE TABLEAU DE COMMANDES                                  |
| 7  | 341529   | EMERGENCY STOP LC                                  | PARO EMERGENCIA LC                                       | ARRET EMERGENCE LC  |
| 8  | 342006   | EMERGENCY STOP PLUG                                | CONECTORA PARO EMERGENCIA                                | CONNECTEUR ARRET EMERGENCE                                    |
| 9  | 326074   | PLATE GIRBAU                                       | PLACA GIRBAU   | PLAQUE GIRBAU   |
| 10 | 343509   | HARNESS  | CABLEADO ELECTRICO                                       | CABLAGE   |
| 11 | 150185   | BICR.HEX.NUT DIN934-8 M4                           | TUER.EX.DIN934-8 B.TRI.M 4                               | ECROU HEX.DIN934-8 BICR.M4                                    |
| 12 | 322685   | SEPARATOR HEX.HS6-8                                | SEPARADOR EXAGONAL HS6-8                                 | SEPARATEUR HEX. HS6-8   |
| 13 | 432435   | IDENTIFICATION PLUG                                | CONECTORA IDENTIFICACION                                 | CONNECTEUR IDENTIFICATION                                     |
| 14 | 342451   | INSTALLATION PLUG                                  | CONECTORA INSTALACION                                    | CONNECTEUR INSTALLATION                                       |
| 15 | 10699163 | LABEL  | ETIQUETA   | ÉTIQUETTE   |
| 16 | 10034825 | LC WASHER KEYBOARD                                 | TECLADO LAVADORA LC                                      | CLAVIER LAVEUSE LC  |
| 17 | 432310   | MICRO BOARD PROTECTION                             | PROTECCION PLACA MICRO                                   | PROTECTION PLAQUE MICRO                                       |
| 18 | 322768   | MICRO BOARD SEPARATOR                              | SEPARADOR PLACA MICRO                                    | SEPARATEUR PLAQUE MICRO                                       |
| 19 | 326843   | MICROPROCESSOR PLATE COVER                         | TAPA PLACA MICROPROCESADOR                               | COUVERCLE PLAQUE MICROPROSSEUR                                |
| 20 | 332718   | POWER SOURCE MW PS-25-12                           | FUENTE ALIMENT.MW PS-25-12                               | FONT ALIMENT.MW PS-25-12                                      |
| 21 | 594507   | MICROP. BOARD H6013/17 LC/CC                       | PLACA MICROP.H6013/17 LC/CC                              | PLAQUE MICROP. H6013/17 LC/CC                                 |
| 22 | 192021   | PROFILE  | ENCUADERNADOR P (NEGRO) 2MT.                             | PROFILE   |
| 23 | 192021   | PROFILE  | ENCUADERNADOR P (NEGRO) 2MT.                             | PROFILE   |
| 24 | 338020   | SAFETY INSTR.LABEL EN<br>(FOR USA AND CANADA ONLY) | ETIQUETA INSTR. SEGURIDAD EN<br>(SOLO PARA USA Y CANADA) | ETIQUETTE INSTR.SECURITE EN<br>(SEULEMENT POUR USA ET CANADA) |
| 25 | 343046   | SAFETY INSTR.LABEL JA<br>(JAPANESE)                | ETIQUETA INSTR. SEGURIDAD JA<br>(JAPONES)                | ETIQUETTE INSTR.SECURITE JA<br>(JAPONAIS)                     |
| 26 | 322693   | SCREW PT KN35X10 WN1412                            | TORNILLO PT KN35X10 WN1412 (ESPECIAL)                    | VIS PT KN35X10 WN1412   |

| N° | REF    | DENOMINATION  | DENOMINACIÓN  | DENOMINATION   |
|----|--------|---|---|--|
| 27 | 333294 | SCREW T25 AR.18ESTR.M 6X15 INOX                           | TORNILLO ALOM.T25 M 6X15 INOX(ESPECIA               | VIS T25 AR.18ESTR.M 6X15 INOX                          |
| 28 | 587816 | START-STOP LABEL  | ETIQUETA MARCHA-PARO                                | ETIQUETTE MARCHÉ-ARRÊT                                 |
| 29 | 590356 | START-STOP LABEL JA<br>(JAPANESE)                         | ETIQUETA MARCHA-PARO JA<br>(JAPONES)                | ETIQUETTE MARCHÉ-ARRÊT JA<br>(JAPONAIS)                |
| 30 | 587519 | SWITCH C1550AL  | INTERRUPTOR C1550AL                                 | INTERRUPTEUR C1550AL                                   |
| 31 | 422998 | SWITCH PLATE  | PLACA INTERRUPTOR                                   | PLAQUE INTERRUPTEUR                                    |
| 32 | 327023 | PLATE VIKING  | PLACA VIKING  | PLAQUE VIKING  |
| 33 | 149476 | BICR.WASHER B DIN125-ST 4,3                               | ARAN.B DIN125-ST B.TRI. 4,3                         | RONDELLE B DIN125-ST BICR.4,3                          |
| 34 | 303719 | WASHER-EXTRACTOR PLATE LC EN<br>(FOR USA AND CANADA ONLY) | CARATULA LAVADORA LC EN<br>(SOLO PARA USA Y CANADA) | PLAQUE LAVEUSE LC EN<br>(SEULEMENT POUR USA ET CANADA) |
| 35 | 342865 | WASHER-EXTRACTOR PLATE LC JA<br>(JAPANESE)                | CARATULA LAVADORA LC JA<br>(JAPONES)                | PLAQUE LAVEUSE LC JA<br>(JAPONAIS)                     |
| 36 | 192294 | YELLOW RING   | ARO AMARILLO  | BAGUE JAUNE  |

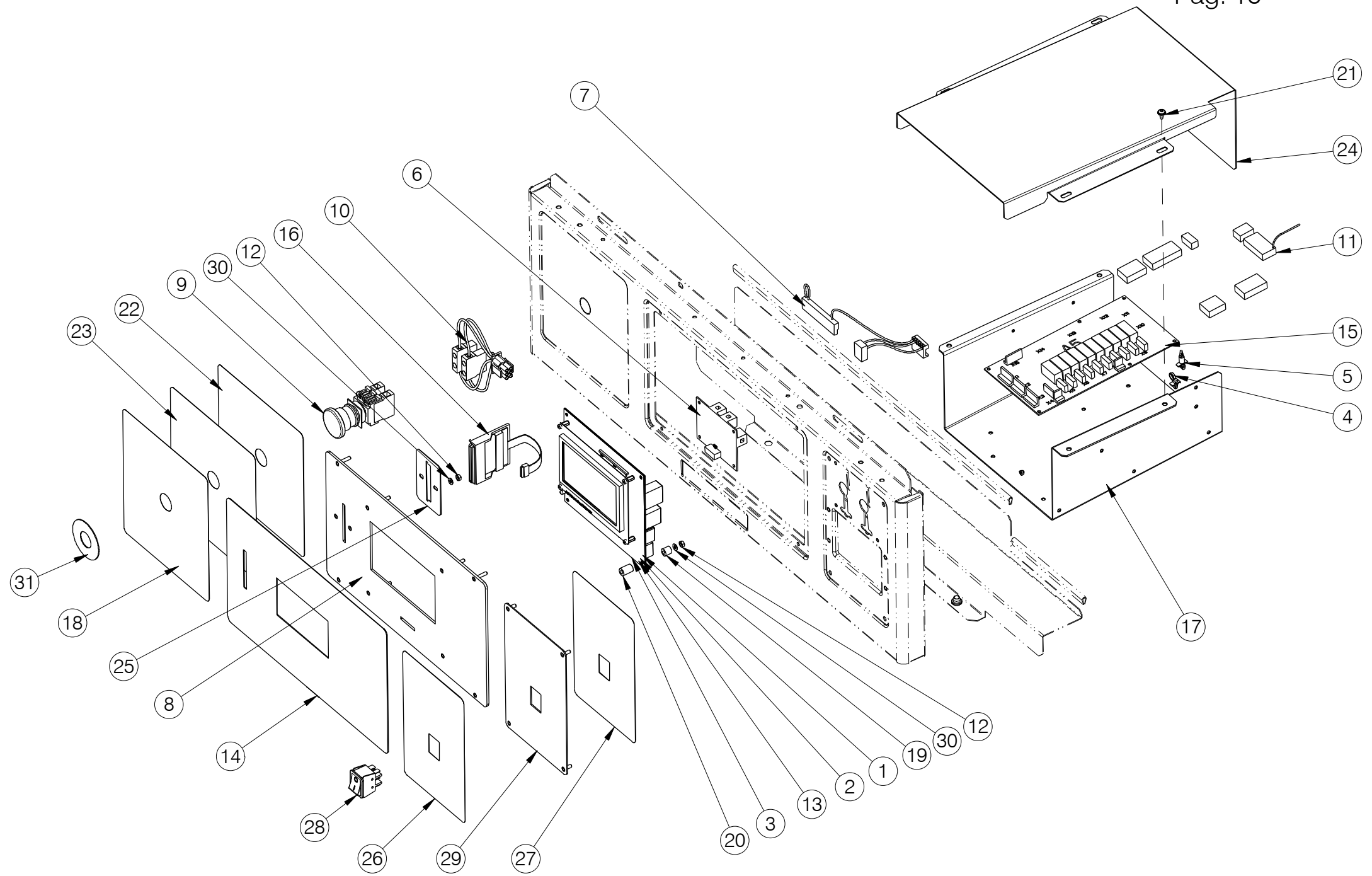


| Nº | REF      | DENOMINATION   | DENOMINACIÓN  | DENOMINATION   |
|----|----------|--|---|--|
| 1  | 428656   | BLIND PLATE  | PLACA CIEGA   | PLAQUE AVEUGLE   |
| 2  | 433532   | CARD READER PLATE  | PLACA LECTOR TARJETA  | PLAQUE LECTEUR CARTE   |
| 3  | 593517   | COIN CONTROL EXTRA OP. WASHER KEYBOARD<br>(FOR PROFITPLUS CONTROL MOD.)<br>(FOR USA AND CANADA ONLY) | TECLADO LAVADORA CC EXTRA OP.<br>(PARA MOD. PROFITPLUS CONTROL)<br>(SOLO PARA USA Y CANADA) | CLAVIER LAVEUSE COIN CONTROL EXTRA OP.<br>(POUR MOD. PROFITPLUS CONTROL)<br>(SEULEMENT POUR USA ET CANADA) |
| 4  | 10065480 | CC EXTRA OP. WASHER KEYBOARD<br>(FOR PROFITPLUS CONTROL MOD.)  | TECLADO LAVADORA CC EXTRA OP.<br>(PARA MOD. PROFITPLUS CONTROL)                             | CLAVIER LAVEUSE CC EXTRA OP.<br>(POUR MOD. PROFITPLUS CONTROL)   |
| 5  | 10017002 | CC WASHER KEYBOARD   | TECLADO LAVADORA CC   | CLAVIER LAVEUSE CC   |
| 6  | 322313   | COIN BOX SUPPORT   | APOYO CAJON MONEDAS   | APPUI BOITE MONNAIE  |
| 7  | 169169   | COIN BOX UG400A GI   | CAJA MONEDAS UG400A GI *  | BOITE MONNAIE UG400A GI  |
| 8  | 327353   | COIN-METER EMP 500 EUROS   | MONEDERO EMP 500 EUROS  | MANNAYEUR EMP 500 EUROS  |
| 9  | 411223   | COIN-METER EMP 500 NOT EUROS   | MONEDERO EMP 500 NO EUROS   | MONNAYEUR EMP 500 NO EUROS   |
| 10 | 323741   | COIN-METER F60.1 0,20/2,00EUR  | MONEDERO F60.1 0,20/2,00EUR   | MONNAYEUR F60.1 0,20/2,00EUR   |
| 11 | 326892   | COIN-METER F60.1 0,25/1,00CAD  | MONEDERO F60.1 0,25/1,00CAD   | MONNAYEUR F60.1 0,25/1,00CAD   |
| 12 | 323659   | COIN-METER F60.1 0,25/1,00USD  | MONEDERO F60.1 0,25/1,00USD   | MONNAYEUR F60.1 0,25/1,00USD   |
| 13 | 326769   | COIN-METER F60.1 0,50/1,00 GBP   | MONEDERO F60.1 0,50/1,00GBP *   | MONNAYEUR F60.1 0,50/1,00 GBP  |
| 14 | 326835   | COIN-METER F60.1 1,00/5,00ILS  | MONEDERO F60.1 1,00/5,00ILS *   | MONNAYEUR F60.1 1,00/5,00 ILS  |
| 15 | 431007   | COINMETER F60.1 100/500 JPY  | MONEDERO F60.1 100/500 JPY *  | MONNAYEUR F60.1 100/500 JPY  |
| 16 | 354035   | COINMETER F60.1 10/50 NTD  | MONEDERO F60.1 10/50NTD *   | MONNAYEUR F60.1 10/50 NTD  |
| 17 | 524157   | COIN-METER F60.11 500 WON  | MONEDERO F60.11 500 WON*  | MONNAYEUR F60.11 500 WON   |
| 18 | 323642   | COIN-METER F60.11 0,25USD  | MONEDERO F60.11 0,25USD   | MONNAYEUR F60.11 0,25USD   |
| 19 | 326777   | COIN-METER F60.11 100YEN   | MONEDERO F60.11 100YEN *  | MONNAYEUR F60.11 100YEN  |
| 20 | 344622   | COIN-METER F60.11 10NTD  | MONEDERO F60.11 10NTD *   | MONNAYEUR F60.11 10NTD   |
| 21 | 323733   | COIN-METER F60.11W2000-TOKEN G   | MONEDERO F60.11 FICHA GIRBAU *  | MONNAYEUR F60.11W2000 JETON GI   |
| 22 | 411678   | COIN-METER PLUG<br>(WITH PUSH-BUTTON)  | CONECTORA MONEDERO<br>(CON PULSADOR)  | CONNECTEUR MONNAYEUR<br>(AVEC BOUTON-POUSSOIR)   |
| 23 | 339325   | COINMETER LABEL CC-MD EUR  | ETIQUETA MONEDERO CC-MD EUR   | ETIQUETTE MONNAYEUR CC-MD EUR  |
| 24 | 339507   | COINMETER LABEL CC-MD GBP  | ETIQUETA MONEDERO CC-MD GBP   | ETIQUETTE MONNAYEUR CC-MD GBP  |
| 25 | 339515   | COINMETER LABEL CC-MD NIS  | ETIQUETA MONEDERO CC-MD NIS   | ETIQUETTE MONNAYEUR CC-MD NIS  |
| 26 | 354043   | COINMETER LABEL CC-MD NTD  | ETIQUETA MONEDERO CC-MD NTD   | ETIQUETTE MONNAYEUR CC-MD NTD  |



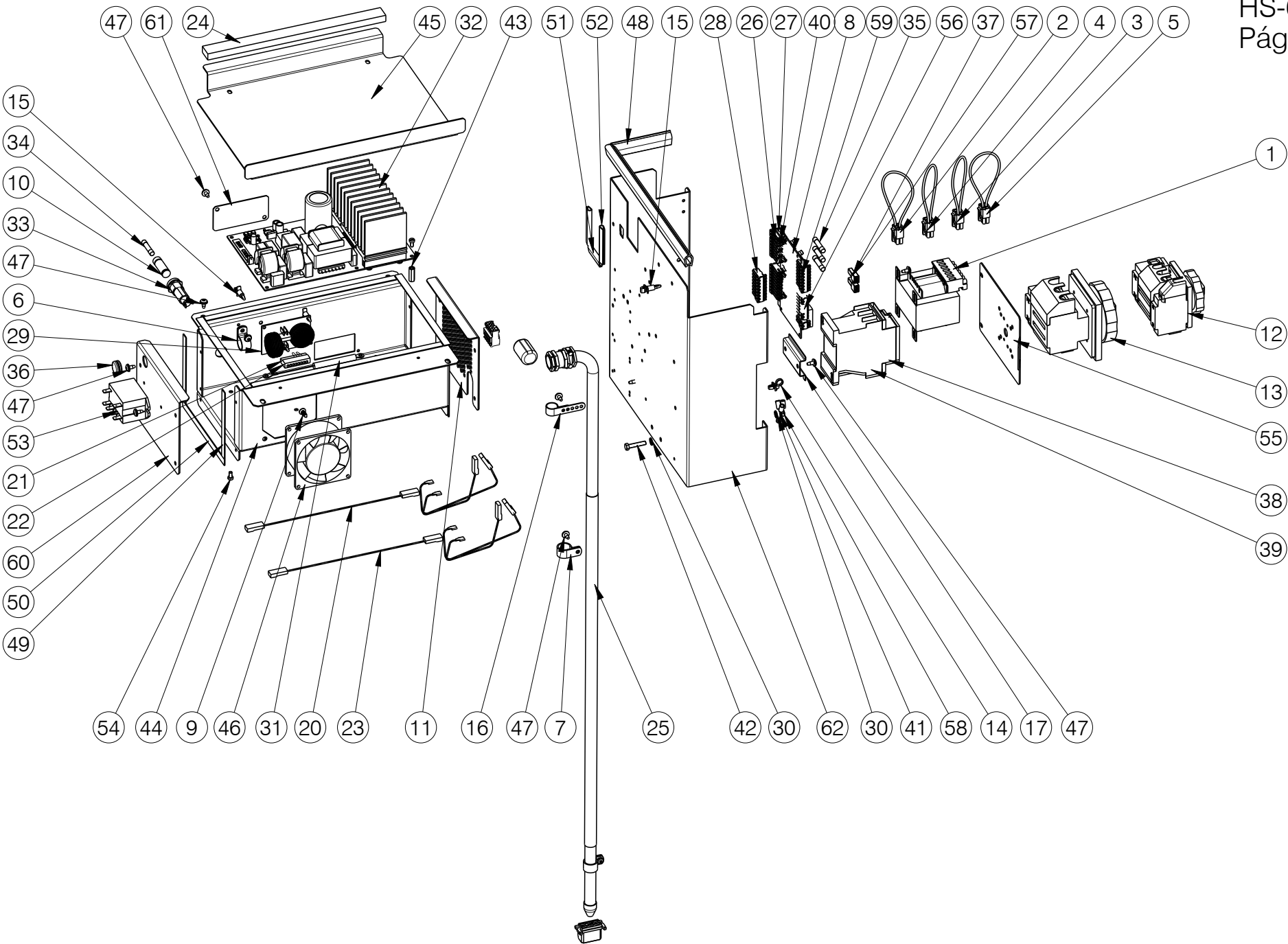
| Nº | REF      | DENOMINATION                                       | DENOMINACIÓN   | DENOMINATION  |
|----|----------|--|--|---|
| 27 | 339499   | COINMETER LABEL CC-MD USD                          | ETIQUETA MONEDERO CC-MD USD                              | ETIQUETTE MONNAYEUR CC-MD USD                                 |
| 28 | 342550   | COINMETER LABEL CC-MD YEN                          | ETIQUETA MONEDERO CC-MD YEN                              | ETIQUETTE MONNAYEUR CC-MD YEN                                 |
| 29 | 339564   | COINMETER LABEL CC-MS YEN                          | ETIQUETA MONEDERO CC-MS YEN                              | ETIQUETTE MONNAYEUR CC-MS YEN                                 |
| 30 | 339549   | COINMETER LABEL CC-MS-25C                          | ETIQUETA MONEDERO CC-MS-25C                              | ETIQUETTE MONNAYEUR CC-MS-25C                                 |
| 31 | 339523   | COINMETER LABEL CC-MS-FG                           | ETIQUETA MONEDERO CC-MS-FG                               | ETIQUETTE MONNAYEUR CC-MS-FG                                  |
| 32 | 339234   | COINMETER LABEL CC-MU                              | ETIQUETA MONEDERO CC-MU                                  | ETIQUETTE MONNAYEUR CC-MU                                     |
| 33 | 322461   | COIN-METER 1 PLUG                                  | CONECTORA 1 MONEDERO                                     | CONNECTEUR 1 MONNAYEUR  |
| 34 | 322453   | COIN-METER 2 PLUG                                  | CONECTORA 2 MONEDERO                                     | CONNECTEUR 2 MONNAYEURS                                       |
| 35 | 341990   | EMERGENCY STOP PLUG                                | CONECTORA PARO EMERGENCIA                                | CONNECTEUR ARRET EMERGENCE                                    |
| 36 | 10568681 | LABEL  | ETIQUETA   | ÉTIQUETTE   |
| 37 | 303693   | SAFETY INSTR.LABEL EN<br>(FOR USA AND CANADA ONLY) | ETIQUETA INSTR. SEGURIDAD EN<br>(SOLO PARA USA Y CANADA) | ETIQUETTE INSTR.SECURITE EN<br>(SEULEMENT POUR USA ET CANADA) |
| 38 | 343053   | SAFETY INSTR.LABEL JA<br>(JAPENESE)                | ETIQUETA INSTR. SEGURIDAD JA<br>(JAPONES)                | ETIQUETTE INSTR.SECURITE JA<br>(JAPONAIS)                     |
| 39 | 129692   | SELF-LOCKING NUT DIN985-8 B.TRI.M 3                | TUER.AUTOBL.DIN985-8 B.TRI.M 3                           | ECROU AUTOBLOCANT DIN985-8 B.TRI.M 3                          |
| 40 | 132043   | SELF-LOCKING NUT DIN985-8 B.TRI.M 4                | TUER.AUTOBL.DIN985-8 B.TRI.M 4                           | ECROU AUTOBLOCANT DIN985-8 B.TRI.M 4                          |
| 41 | 429878   | START-STOP LABEL CP<br>(WITH PUSH-BUTTON)          | ETIQUETA MARCHA-PARO CP<br>(CON PULSADOR)                | ETIQUETTE MARCHE-ARRET CP<br>(AVEC BOUTON-POUSSOIR)           |
| 42 | 138339   | PUSH-BUTTON C6061AL<br>(WITH PUSH-BUTTON)          | PULSADOR C6061AL *<br>(CON PULSADOR)                     | BOUTON-POUSSOIR C6061AL<br>(AVEC BOUTON-POUSSOIR)             |
| 43 | 422998   | SWITCH PLATE                                       | PLACA INTERRUPTOR  | PLAQUE INTERRUPTEUR   |
| 44 | 149484   | WASHER DIN 125B M3 ST TRIVALENT                    | ARANDELA DIN 125B M3 ST TRIVALENTE                       | RONDELLE DIN 125B M3 ST TRIVALENT                             |
| 45 | 149476   | BICR.WASHER B DIN125-ST 4,3                        | ARAN.B DIN125-ST B.TRI. 4,3                              | RONDELLE B DIN125-ST BICR.4,3                                 |
| 46 | 342857   | WASHER-EXTRACTOR PLATE CC JA<br>(JAPENESE)         | CARATULA LAVADORA CC JA<br>(JAPONES)                     | PLAQUE LAVEUSE CC JA<br>(JAPONAIS)                            |

| N°       | REF | DENOMINATION  | DENOMINACIÓN  | DENOMINATION  |
|----------|-----|---|---|---|
|          |     | WITHOUT ILLUSTRATION  | SIN ILUSTRACION   | SANS ILLUSTRATION   |
| 796839   |     | VENDING VN SERIE 6 SET  | KIT VENDING VN SERIE 6  | KIT VENDING VN SERIE 6  |
| 614503   |     | KIT PROFIT PLUS HS-6013/17<br>(EXCEPT FOR USA AND CANADA)   | KIT PROFIT PLUS HS-6013/17<br>(EXCEPTO PARA USA Y CANADA)   | KIT PROFIT PLUS HS-6013/17<br>(SAUF POUR USA ET CANADA)   |
| 639088   |     | KIT PROFIT PLUS HS-6013/17 KO<br>(ONLY KOREA)   | KIT PROFIT PLUS HS-6013/17 KO<br>(SOLO COREA)   | KIT PROFIT PLUS HS-6013/17 KO<br>(SEULEMENT CORÉE)  |
| 609123   |     | KIT PROFIT PLUS EH030/40<br>(FOR USA AND CANADA ONLY)   | KIT PROFIT PLUS EH030/40<br>(SOLO PARA USA Y CANADA)  | KIT PROFIT PLUS EH030/40<br>(SEULEMENT POUR USA ET CANADA)  |
| 10098655 |     | COIN METER F60.11 TOKEN ECO MALAYSIA<br>(FOR SINGLE COIN METER)<br>(FOR MOD. CC WITH COIN ECO MALAYSIA) | MONEDERO F60.11 FICHA ECO MALASIA<br>(PARA MONEDERO SIMPLE)<br>(PARA MOD. CC CON FICHA ECO MALASIA) | MONNAYEUR F60.11 JETON ECO MALASIA<br>(POUR MONNAYEUR SIMPLE)<br>(POUR MOD. CC AVEC MON. ECO MALASIA) |



| Nº | REF      | DENOMINATION                                       | DENOMINACIÓN   | DENOMINATION  |
|----|----------|--|--|---|
| 1  | 10080315 | MICROPROCESSOR BOARD IC ADVANCE                    | PLACA MICROPROCESADOR IC ADVANCE                         | CARTE MICROPROCESSEUR IC ADVANCE                              |
| 2  | 10240547 | MICROPROCESSOR BOARD IC ALLWET                     | PLACA MICROPROCESADOR IC ALLWET                          | CARTE MICROPROCESSEUR IC ALLWET                               |
| 3  | 10128981 | MICROPROCESSOR BOARD IC AQUATOUCH                  | PLACA MICROPROCESADOR IC AQUATOUCH                       | CARTE MICROPROCESSEUR IC AQUATOUCH                            |
| 4  | 326132   | CABLE TIE Ø35 NATURAL                              | ABRAZADERA Ø35 NATURAL                                   | BRIDE Ø35 NATUREL   |
| 5  | 332809   | CIRCUIT BRACKET LCBS-4-7-01                        | SOPORTE CIRCUITO LCBS-4-7-01                             | SUPPORT CIRCUIT LCBS-4-7-01                                   |
| 6  | 565895   | COMMUNICATION BOARD COM-C *                        | PLACA COMUNICACIONES COM-C *                             | PLAQUE COMMUNICATIONS COM-C/609164                            |
| 7  | 432443   | CONNECTION INST.ELEC. A1-A5                        | INST. ELEC. CONEXION A1-A5                               | INST.ELEC.CONNEXION A1-A5                                     |
| 8  | 429902   | CONTROL PANEL PLATE                                | PLACA PANEL DE MANDOS                                    | PLAQUE PANNEAU DE COMMANDE                                    |
| 9  | 341511   | EMERGENCY STOP IC                                  | PARO EMERGENCIA IC                                       | ARRET EMERGENCE IC  |
| 10 | 342014   | EMERGENCY STOP PLUG                                | CONECTORA PARO EMERGENCIA                                | CONNECTEUR ARRET EMERGENCE                                    |
| 11 | 343558   | ELECTRICAL WIRING                                  | INSTALACION ELECTRICA                                    | INSTALLATION ELECTRIQUE                                       |
| 12 | 150185   | BICR.HEX.NUT DIN934-8 M4                           | TUER.EX.DIN934-8 B.TRI.M 4                               | ECROU HEX.DIN934-8 BICR.M4                                    |
| 13 | 437434   | SCREEN KIT LCD IC                                  | CONJUNTO PANTALLA LCD IC                                 | ENSEMBLE ÉCRAN LCD IC   |
| 14 | 338046   | IC WASHER EXTRACTOR KEYBOARD                       | TECLADO LAVADORA IC                                      | CLAVIER MACHINE A LAVER IC                                    |
| 15 | 353326   | INTELI LABEL E/S-1/D                               | PLACA INTELI E/S-1/D                                     | PLAQUE INTELI E/S-1/D   |
| 16 | 332684   | INTELI SMARTCARD SOCKET                            | ZOCALO TARJETA INTELI *                                  | SOCLE TARGETTE SMARTCARD INTEL                                |
| 17 | 428185   | IRONING STRAP E/S 1A                               | PLANCHA SOPORTE E/S 1A                                   | BANDE REPASSAGE E/S 1A  |
| 18 | 10699163 | LABEL  | ETIQUETA   | ÉTIQUETTE   |
| 19 | 322768   | MICRO BOARD SEPARATOR                              | SEPARADOR PLACA MICRO                                    | SEPARATEUR PLAQUE MICRO                                       |
| 20 | 338038   | MICRO BOARD SPACER                                 | SEPARADOR PLACA MICRO                                    | SEPARATEUR PLAQUE MICRO                                       |
| 21 | 183400   | PLATE SCREW ST-4, 20 P.F. C/AL.T25                 | TORNILLO CHAPA ST-4 (ESPECIAL)*                          | VIS PLAQUE ST-4, 20 P.F. C/AL.T25                             |
| 22 | 338020   | SAFETY INSTR.LABEL EN<br>(FOR USA AND CANADA ONLY) | ETIQUETA INSTR. SEGURIDAD EN<br>(SOLO PARA USA Y CANADA) | ETIQUETTE INSTR.SECURITE EN<br>(SEULEMENT POUR USA ET CANADA) |
| 23 | 343046   | SAFETY INSTR.LABEL JA<br>(JAPANESE)                | ETIQUETA INSTR. SEGURIDAD JA<br>(JAPONES)                | ETIQUETTE INSTR.SECURITE JA<br>(JAPONAIS)                     |
| 24 | 428193   | SET COVER E/S 1A                                   | TAPA CONJUNTO E/S 1A                                     | COUVERCLE ENSEMBLE E/S 1A                                     |
| 25 | 423020   | CARD FIXING-PIECE SMARTCARD                        | FIJACION TARJETA SMARTCARD                               | FIXATION TARGETTE SMARTCARD                                   |
| 26 | 587816   | START-STOP LABEL                                   | ETIQUETA MARCHA-PARO                                     | ETIQUETTE MARCHE-ARRET  |
| 27 | 590356   | START-STOP LABEL JA<br>(JAPANESE)                  | ETIQUETA MARCHA-PARO JA<br>(JAPONES)                     | ETIQUETTE MARCHE-ARRET JA<br>(JAPONAIS)                       |

| N°     | REF    | DENOMINATION                | DENOMINACIÓN                | DENOMINATION                  |
|--------|--------|-----------------------------|-----------------------------|-------------------------------|
| 28     | 587519 | SWITCH C1550AL              | INTERRUPTOR C1550AL         | INTERRUPTEUR C1550AL          |
| 29     | 422998 | SWITCH PLATE                | PLACA INTERRUPTOR           | PLAQUE INTERRUPTEUR           |
| 30     | 149476 | BICR.WASHER B DIN125-ST 4,3 | ARAN.B DIN125-ST B.TRI. 4,3 | RONDELLE B DIN125-ST BICR.4,3 |
| 31     | 192294 | YELLOW RING                 | ARO AMARILLO                | BAGUE JAUNE                   |
|        |        | WITHOUT ILLUSTRATION        | SIN ILUSTRACION             | SANS ILLUSTRATION             |
| 529321 |        | INTELI IMTX PACK            | PACK INTELI IMTX            | PACK INTELI IMTX              |

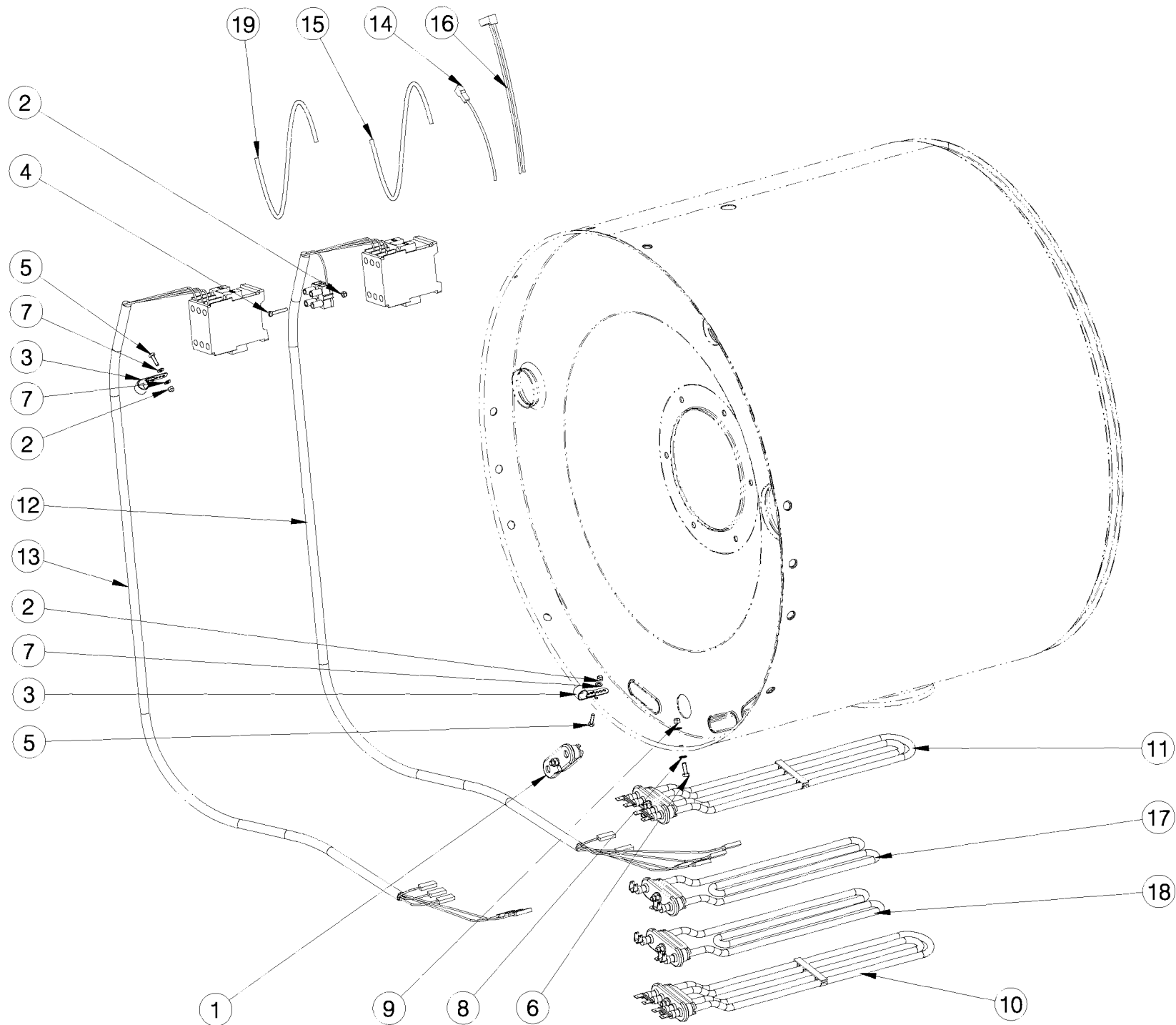


| N° | REF      | DENOMINATION   | DENOMINACIÓN  | DENOMINATION  |
|----|----------|--|---|---|
| 1  | 320614   | TRANSFORMER IP00 100 VA CSA<br>(HS-6013)   | TRANSFORMADOR IP00 100 VA CSA*<br>(HS-6013)   | TRANSFORMATEUR IP00 100 VA CSA<br>(HS-6013)   |
| 2  | 10102994 | (200-208)V VOLTAGE CONNECTOR<br>(HS-6013)<br>(FOR 200V-208V-220V-230V-240V)                    | CONECTORA VOLTAJE (200-208)V<br>(HS-6013)<br>(PARA 200V-208V-220V-230V-240V)                                  | CONNECTEUR TENSION (200-208)V<br>(HS-6013)<br>(POUR 200V-208V-220V-230V-240V)                               |
| 3  | 11098209 | (400-415)V VOLTAGE CONNECTOR<br>(HS-6013)<br>(FOR 380V-400V-415V)                              | CONECTORA VOLTAJE (400-415)V<br>(HS-6013)<br>(PARA 380V-400V-415V)  | CONNECTEUR TENSION (400-415)V<br>(HS-6013)<br>(POUR 380V-400V-415V)   |
| 4  | 10104370 | 220V-230V-240V VOLTAGE CONNECTOR<br>(HS-6013)<br>(FOR 200V-208V-220V-230V-240V)                | CONECTORA VOLTAJE 220V-230V-240V<br>(HS-6013)<br>(PARA 200V-208V-220V-230V-240V)                              | CONNECTEUR TENSION 220V-230V-240V<br>(HS-6013)<br>(POUR 200V-208V-220V-230V-240V)                           |
| 5  | 11098654 | 380V VOLTAGE CONNECTOR<br>(HS-6013)<br>(FOR 380V-400V-415V)                                    | CONECTORA VOLTAJE 380V<br>(HS-6013)<br>(PARA 380V-400V-415V)  | CONNECTEUR TENSION 380V<br>(HS-6013)<br>(POUR 380V-400V-415V)   |
| 6  | 323055   | ALUMINIUM CLAMP AL2  | ABRAZADERA ALUMINIO AL2   | BRIDE ALUMINIUM AL2   |
| 7  | 332957   | ALUMINIUM WASHER AL9   | ABRAZADERA ALUMINIO AL9   | RONDELLE ALUMINIUM AL9  |
| 8  | 332395   | AUXILIARY BOARD HS-60**  | PLACA AUXILIAR HS-60**  | PLAQUE AUXILIAIRE HS-60**   |
| 9  | 348540   | BARBED PUSH FASTENER MB-17A-N2W  | GRAPA ESTRIADA MB-17A-N2W   | ATTACHE BARBELÉE À ENFONCER MB-17A-N2W  |
| 10 | 137661   | BAYONET HEAD   | CABEZA BAYONETA FEK.031.1613  | TETE BAYONETTE  |
| 11 | 422535   | VARIATOR BOX SIDE PANEL  | LATERAL CAJA VARIADOR   | LATERAL BOITE VARIATEUR   |
| 12 | 344176   | SECTION SWITCH 32A<br>(FOR MACHINES ELECTR.HEATING)<br>(FOR 3PH)<br>(FOR MOD. HOT WATER/STEAM) | INTERRUPTOR SECCIONADOR 32A<br>(PARA MODELOS CALEFAC.ELECTR.)<br>(PARA 3PH)<br>(PARA MOD.AGUA CALIENTE/VAPOR) | INTERRUPTEUR SECTIONNEUR 32A<br>(POUR MACHINES CHAUF.ELECTR.)<br>(POUR 3PH)<br>(POUR MOD.EAU CHAUDE/VAPEUR) |
| 13 | 344168   | SECTION SWITCH 63A<br>(FOR MACHINES ELECTR.HEATING)<br>(FOR 1PH)                               | INTERRUPTOR SECCIONADOR 63A<br>(PARA MODELOS CALEFAC.ELECTR.)<br>(PARA 1PH)                                   | INTERRUPTEUR SECTIONNEUR 63A<br>(POUR MACHINES CHAUF.ELECTR.)<br>(POUR 1PH)                                 |
| 14 | 326132   | CABLE TIE Ø35 NATURAL  | ABRAZADERA Ø35 NATURAL  | BRIDE Ø35 NATUREL   |
| 15 | 332809   | CIRCUIT BRACKET LCBS-4-7-01  | SOPORTE CIRCUITO LCBS-4-7-01  | SUPPORT CIRCUIT LCBS-4-7-01   |
| 16 | 140418   | CLAMP UNEX REF 1201  | BRIDA UNEX 1201   | BRIDE UNEX REF 1201   |
| 17 | 431106   | CONTACTOR FIXING PROFILE   | PERFIL FIJACION CONTACTORES   | PROFILE FIXATION CONTACTEURS  |
| 18 | 341941   | CONTACTOR SUPPLY WIRES<br>(FOR 3PH)  | CABLES ALIMENTACION CONTACTOR<br>(PARA 3PH)   | CABLES ALIMENTATION CONTACTEUR<br>(POUR 3PH)  |
| 19 | 432708   | CONTACTOR SUPPLY WIRES<br>(FOR 1PH)  | CABLES ALIMENTACION CONTACTOR<br>(PARA 1PH)   | CABLES ALIMENTATION CONTACTEUR<br>(POUR 1PH)  |
| 20 | 341818   | CONVERTER WIRES<br>(EH040)   | CABLES CONVERTIDOR<br>(EH040)   | CABLES CONVERTISSEUR<br>(EH040)   |

| Nº | REF      | DENOMINATION   | DENOMINACIÓN  | DENOMINATION   |
|----|----------|--|---|--|
| 21 | 341859   | CONVERTER PLUG<br>(HS-6013)  | CONECTORA CONVERTIDOR<br>(HS-6013)  | CONNECTEUR CONVERTISSEUR<br>(HS-6013)  |
| 22 | 432427   | CONVERTER PLUG   | CONECTORA CONVERTIDOR   | CONNECTEUR CONVERTISSEUR   |
| 23 | 344358   | CONVERTER WIRES<br>(HS-6013)   | CABLES CONVERTIDOR<br>(HS-6013)   | CABLES CONVERTISSEUR<br>(HS-6013)  |
| 24 | 439000   | COVER ABSORBER PROFILE   | PERFIL AMORTIGUADOR TAPA  | PROFILE AMORTISSEUR COUVERCLE  |
| 25 | 341842   | MOTOR ELEC.INST.   | INST. ELEC. MOTOR   | INST.ELEC.MOTEUR   |
| 26 | 343509   | HARNESS  | CABLEADO ELECTRICO  | CABLAGE  |
| 27 | 343558   | ELECTRICAL WIRING  | INSTALACION ELECTRICA   | INSTALLATION ELECTRIQUE  |
| 28 | 342600   | ELEC.INST. WITHOUT TRANSFORMER<br>(EH030)  | INST. ELEC. SIN TRANSFORMADOR<br>(EH030)  | INST.ELEC.SANS TRANSFORMATEUR<br>(EH030)   |
| 29 | 344325   | EMC AUXILIARY FILTER   | FILTRO EMC AUXILIAR   | FILTRE EMC AUXLIAIRE   |
| 30 | 149724   | BICR EXT.TOOT.WASH.DIN6798 M5  | ARAN.DEN.EXT.B.TRI.DIN6798M 5   | RONDEL DEN.EX.BICR.DIN6798 M5  |
| 31 | 453548   | FILTER WIRE CEM<br>(EH030)   | CABLE FILTRO CEM<br>(EH030)   | CABLE FILTRE CEM<br>(EH030)  |
| 32 | 537068   | FREQ.INVERTER DANFOSS 1800W  | CONVERTIDOR FREQ.DANFOSS 1800W  | (650903) CONVERTISSEUR FREQ.DANFOSS1800W   |
| 33 | 160119   | FUSE HOLDER REF.FEC 031 1631   | PORTAFUSIBLES REF.FEC.031.1631  | PORTE-FUSIBLE REF.FEC 031 1631   |
| 34 | 339127   | FUSE SPT 0001.2534 10A   | CART.FUSIB.SPT 0001.2534 10A *  | CARTOUCHE SPT 0001.2534 10A  |
| 35 | 321125   | FUSE SPT 1 A   | CART.FUSIB.SPT 0001.2524 1 A*   | CARTOUCHE FUS. SPT 1 A   |
| 36 | 332601   | SHEATH-LODGING DGB-7   | PASAMUROS DGB-7   | LOGEMENT DGB-7   |
| 37 | 10069979 | HEATING ELECTRICAL WIRING<br>(FOR MACHINES ELECTR.HEATING)<br>(FOR MOD. INTELI CONTROL)          | INSTALACION ELECTRICA CALEFACCION<br>(PARA MODELOS CALEFAC.ELECTR.)<br>(PARA MOD. INTELI CONTROL)         | INSTALLATION ELECTRIQUE CHAUFFAGE<br>(POUR MACHINES CHAUF.ELECTR.)<br>(POUR MOD. INTELI CONTROL)           |
| 38 | 10941888 | HEATING CONTACTOR WIRES<br>(FOR MACHINES ELECTR.HEATING)<br>(FOR 3PH)                            | CABLES CONTACTOR CALEFACCION<br>(PARA MODELOS CALEFAC.ELECTR.)<br>(PARA 3PH)                              | CABLES CONTACTEUR CHAUFFAGE<br>(POUR MACHINES CHAUF.ELECTR.)<br>(POUR 3PH)                                 |
| 39 | 10942456 | HEATING CONTACTOR WIRES<br>(FOR MACHINES ELECTR.HEATING)<br>(FOR 1PH)                            | CABLES CONTACTOR CALEFACCION<br>(PARA MODELOS CALEFAC.ELECTR.)<br>(PARA 1PH)                              | CABLES CONTACTEUR CHAUFFAGE<br>(POUR MACHINES CHAUF.ELECTR.)<br>(POUR 1PH)                                 |
| 40 | 10068633 | HEATING RELAY ELECTRICAL WIRING<br>(FOR MACHINES ELECTR.HEATING)<br>(FOR MOD. LOGI/COIN CONTROL) | INSTALACIÓN ELÉCTRICA RELÉ CALEFACCIÓN<br>(PARA MODELOS CALEFAC.ELECTR.)<br>(PARA MOD. LOGI/COIN CONTROL) | INSTALLATION ELECTRIQUE RELAIS CHAUFFAGE<br>(POUR MACHINES CHAUF.ELECTR.)<br>(POUR MOD. LOGI/COIN CONTROL) |
| 41 | 150177   | BICR HEX NUT DIN934-8 M5   | TUER.EX.DIN934-8 B.TRI.M 5  | ECROU HEX DIN934-8 BIC.M5  |
| 42 | 146225   | BI.HEX SCREW DIN933-8.8 M-5X25   | TOR.EX.DIN933-8.8 B.TRI.M 5X25  | VIS HEX BICR.DIN933-8.8 M-5X25   |

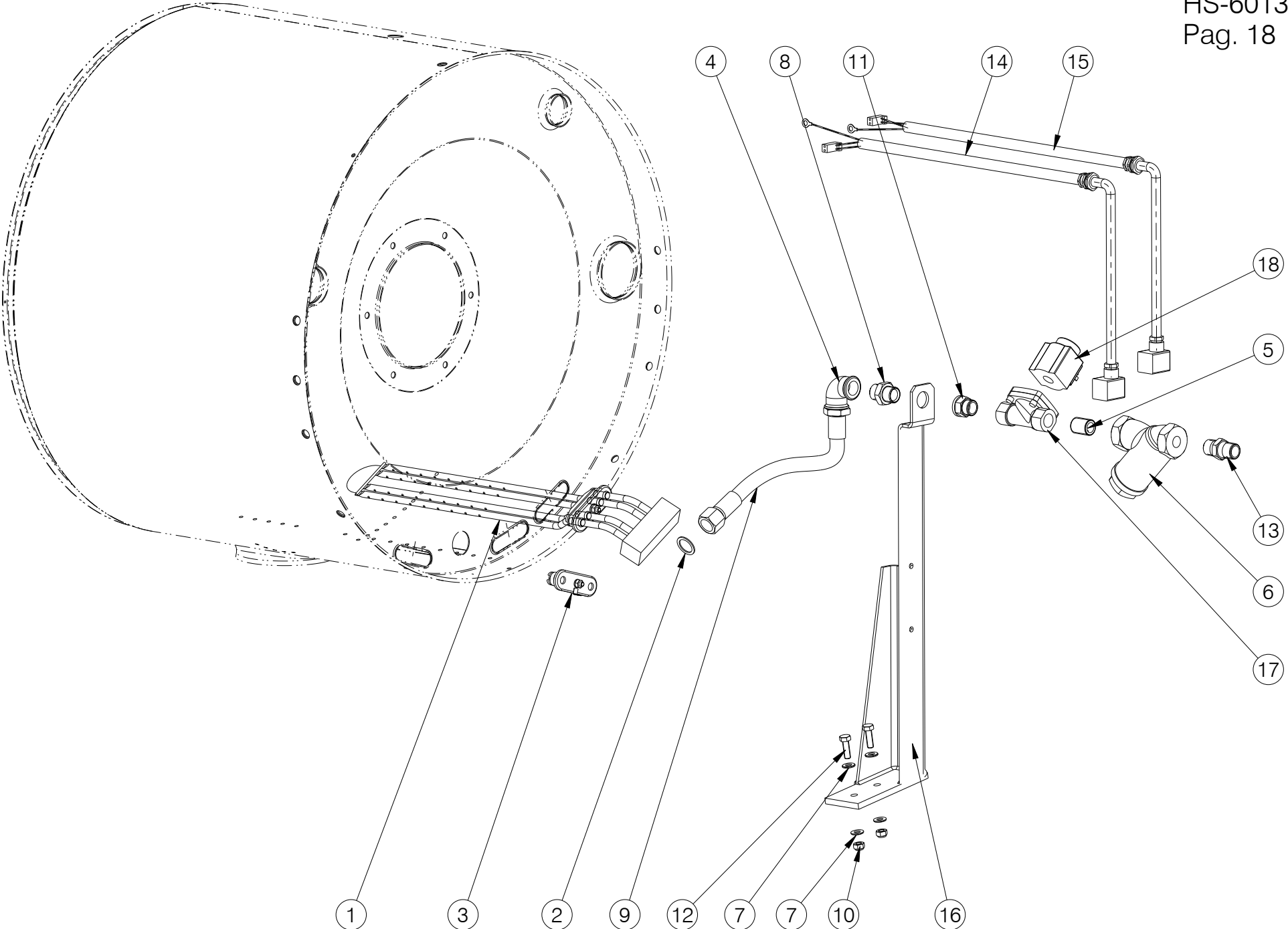


| N° | REF      | DENOMINATION  | DENOMINACIÓN   | DENOMINATION  |
|----|----------|---|--|---|
| 43 | 332726   | HEX SEPARATOR HTSB-M4-20-7-1                            | SEPARADOR HEX.HTSB-M4-20-7-1                                 | SEPARATEUR HEX HTSB-M4-20-7-1                                   |
| 44 | 431049   | VARIATOR BOX  | CAJA VARIADOR  | BOITE VARIATEUR   |
| 45 | 431148   | VARIATOR COVER  | TAPA VARIADOR  | COUVERCLE VARIATEUR   |
| 46 | 420976   | CONVERTER FAN   | VENTILADOR CONVERTIDOR                                       | VENTILATEUR CONVERTISSEUR                                       |
| 47 | 183400   | PLATE SCREW ST-4, 20 P.F. C/AL.T25                      | TORNILLO CHAPA ST-4 (ESPECIAL)*                              | VIS PLAQUE ST-4, 20 P.F. C/AL.T25                               |
| 48 | 431197   | POWER INLET BOX PROFILE                                 | PERFIL CAJA ENTRADA CORRIENTE                                | PROFILE BOITE ENTREE COURANT                                    |
| 49 | 321273   | PROFILE E0813T00000 UL94HB                              | PERFIL E0813R00000 UL94HB                                    | PROFILE E0813T00000 UL94HB                                      |
| 50 | 321273   | PROFILE E0813T00000 UL94HB                              | PERFIL E0813R00000 UL94HB                                    | PROFILE E0813T00000 UL94HB                                      |
| 51 | 192021   | PROFILE   | ENCUADERNADOR P (NEGRO) 2MT.                                 | PROFILE   |
| 52 | 192021   | PROFILE   | ENCUADERNADOR P (NEGRO) 2MT.                                 | PROFILE   |
| 53 | 322701   | RELAY 12VDC   | RELE 12VDC*  | RELAIS 12VDC  |
| 54 | 146076   | BICR ROUND SCREW DIN84 M 4X 8                           | TOR.CIL.DIN84-4.8 B.TRI.M 4X 8                               | VIS ROND BICR DIN84-4.8 M 4X 8                                  |
| 55 | 431114   | SELECTOR COVER  | TAPA SELECTOR  | COUVERCLE SELECTEUR   |
| 56 | 522102   | ELECTROVALVE ELEC.INST.<br>(FOR MOD. LOGI/COIN CONTROL) | INST. ELEC. ELECTROVALVULAS<br>(PARA MOD. LOGI/COIN CONTROL) | INST. ELEC. ELECTROVANNES<br>(POUR MOD. LOGI/COIN CONTROL)      |
| 57 | 341909   | STEAM ELEC.INST.<br>(FOR MOD.INTELI CTRL STEAM)         | INST. ELEC. VAPOR<br>(PARA MOD.INTELI CTRL A VAPOR)          | INST.ELEC.VAPEUR<br>(POUR MOD.INTELI CTRL A VAPEUR)             |
| 58 | 341917   | STEAM ELECTRICAL WIRING<br>(MOD.LOGI/COIN CTRL STEAM)   | INSTALACION ELECTRICA VAPOR<br>(MOD.LOGI/COIN CTRL A VAPOR)  | INSTALLATION ELECTRIQUE VAPEUR<br>(MOD.LOGI/COIN CTRL A VAPEUR) |
| 59 | 10114585 | TRANSFORMER ELECTRICAL WIRING<br>(HS-6013)              | INSTALACION ELECTRICA TRANSFORMADOR<br>(HS-6013)             | INSTALLATION ELECTRIQUE TRANSFORMATEUR<br>(HS-6013)             |
| 60 | 431056   | VARIATOR BOX SIDE PANEL                                 | LATERAL CAJA VARIADOR  | LATERAL BOITE VARIATEUR   |
| 61 | 430991   | VARIATOR PLUG COVER                                     | TAPETA CONECTOR VARIADOR                                     | COUVERCLE CONNECTEUR VARIATEUR                                  |
| 62 | 431098   | WIRING BOX  | CAJA INSTALACION   | BOITIER DE RACCORDEMENT   |

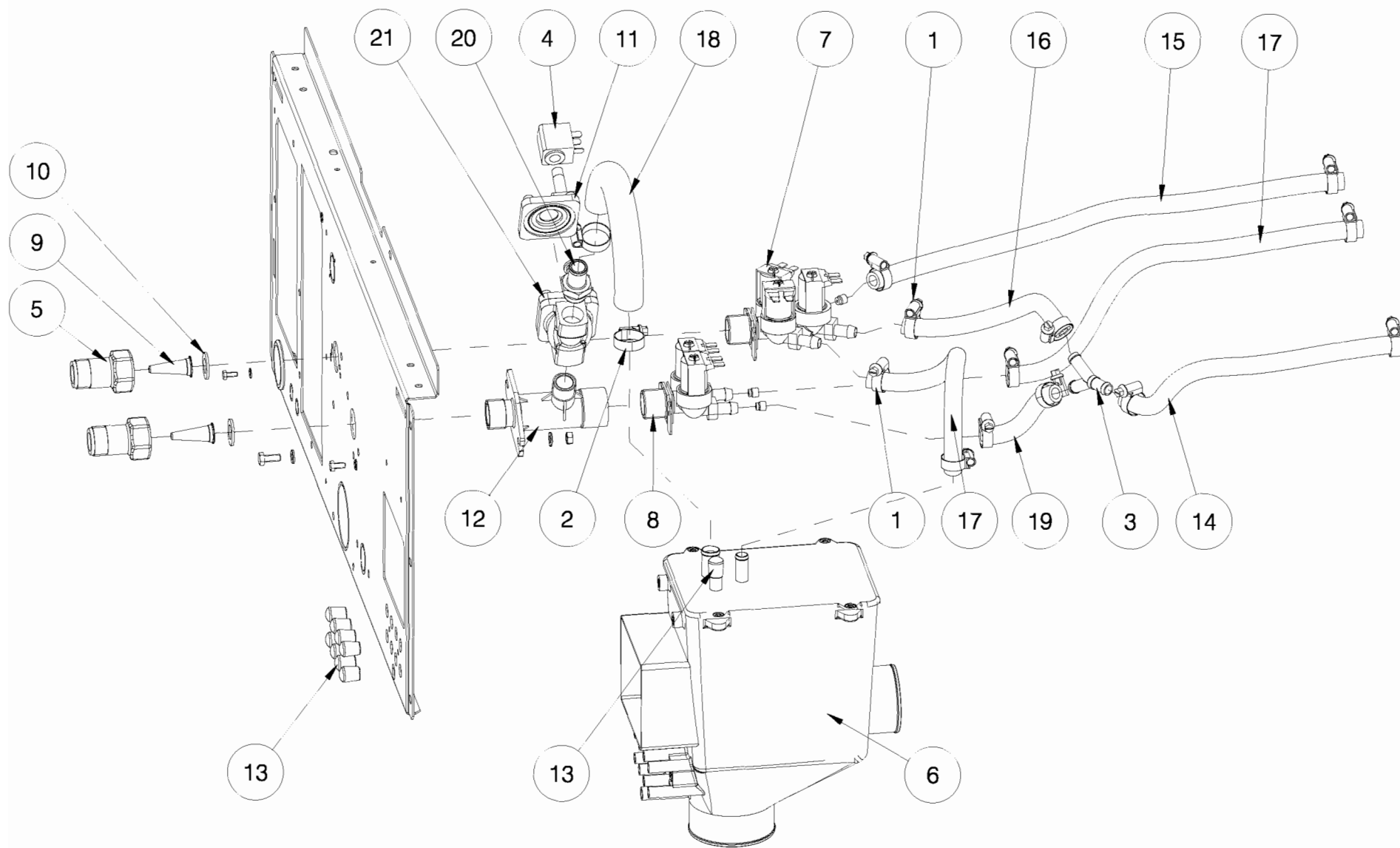


| Nº     | REF      | DENOMINATION  | DENOMINACIÓN   | DENOMINATION  |
|--------|----------|---|--|---|
|        |          | ELECTRIC HEATING KITS   | KITS CALEFACCION ELECTRICA   | KITS CHAUFFAGE ELECTRIQUE   |
| 796888 |          | ELEC.HEATING KIT 1PH 20-230V<br>(HS-6013)   | KIT CAL.E.1PH 200-230V<br>(HS-6013)  | KIT CHAUFF.ELEC.1PH 200-230V<br>(HS-6013)   |
| 796896 |          | EL.HEAT.KIT 1PH(208-240)/240V<br>(EH030)<br>(FOR 208-240V)<br>(HS-6013)<br>(FOR 240V)         | KIT CAL.E.1PH(208-240)/240V<br>(EH030)<br>(PARA 208-240V)<br>(HS-6013)<br>(PARA 240V)          | KIT CHAUFF.EL.1PH(208-240)240V<br>(EH030)<br>(POUR 208-240V)<br>(HS-6013)<br>(POUR 240V)        |
| 796904 |          | EL.HT.KIT 3PH 200-230/380-400V<br>(HS-6013)   | KIT CAL.E.3PH 200-230/380-400V<br>(HS-6013)  | KIT CH.EL.3PH 200-230/380-400V<br>(HS-6013)   |
| 796912 |          | EL.H.KIT 3PH(208-240)/240/415<br>(EH030)<br>(FOR 208-240V)<br>(HS-6013)<br>(FOR 240 AND 415V) | KIT CAL.E.3PH(208-240)/240/415<br>(EH030)<br>(PARA 208-240V)<br>(HS-6013)<br>(PARA 240 Y 415V) | KIT CH.EL.3PH(208-240)/240/415<br>(EH030)<br>(POUR 208-240V)<br>(HS-6013)<br>(POUR 240 ET 415V) |
| 1      | 121962   | HEATER INLET LID  | CIERRE ENTRADA CALEFACTOR *  | FERMETURE ENTREE RESISTANCE   |
| 2      | 132043   | SELF-LOCKING NUT DIN985-8 B.TRI.M 4   | TUER.AUTOBL.DIN985-8 B.TRI.M 4   | ECROU AUTOBLOCANT DIN985-8 B.TRI.M 4  |
| 3      | 140418   | CLAMP UNEX REF 1201   | BRIDA UNEX 1201  | BRIDE UNEX REF 1201   |
| 4      | 146183   | BICR CYL SCREW DIN 84 M-4X25  | TOR.CIL.DIN84-4.8 B.TRI.M 4X25   | VIS CYL BICR DIN 84 M-4X25  |
| 5      | 146266   | BICR.HEX SCREW DIN933-8 M-4X15  | TOR.EX.DIN933-4.8 B.TRI.M 4X15   | VIS HEX BICR.DIN933-8.8 M-4X15  |
| 6      | 146282   | BICR.HEX SCREW DIN933-8 M 5X15  | TOR.EX.DIN933-8.8 B.TRI.M 5X15   | VIS HEX BICR.DIN933-8.8 M 5X15  |
| 7      | 149476   | BICR.WASHER B DIN125-ST 4,3   | ARAN.B DIN125-ST B.TRI. 4,3  | RONDELLE B DIN125-ST BICR.4,3   |
| 8      | 149534   | BICR.WASHER B DIN125-ST 5,3   | ARAN.B DIN125-ST BICR. 5,3   | RONDELLE B BICR.DIN125-ST 5,3   |
| 9      | 176826   | SELF-LOCKING NUT DIN985-8 B.TRI.M5  | TUER.AUTOBL.DIN985-8 B.TRI.M5  | ECROU AUTOBLOCANT DIN 985-8 B.TRI.M5  |
| 10     | 340851   | HEATER 230V 4000W   | CALEFACTOR 230V 4000W  | RESISTANCE 230V 4000W   |
| 11     | 340869   | HEATER 240V 4000W   | CALEFACTOR 240V 4000W  | RESISTANCE 240V 4000W   |
| 12     | 10941888 | HEATING CONTACTOR WIRES<br>(MOD.THREE-PHASE ELEC.HEATING)                                     | CABLES CONTACTOR CALEFACCION<br>(MOD.CALEFAC. ELEC. TRIFASICA)                                 | CABLES CONTACTEUR CHAUFFAGE<br>(MOD.CHAUFFAGE ELEC. TRIPHASE)                                   |
| 13     | 10942456 | HEATING CONTACTOR WIRES<br>(MOD.SINGLE-PHASE HEATING.ELE)                                     | CABLES CONTACTOR CALEFACCION<br>(MOD. CALEFAC.ELEC.MONOFASICA)                                 | CABLES CONTACTEUR CHAUFFAGE<br>(MOD.CHAUFFAGE ELEC.MONOPHASE)                                   |
| 14     | 10069979 | HEATING ELECTRICAL WIRING<br>(FOR MOD. INTELI CONTROL)  | INSTALACION ELECTRICA CALEFACCION<br>(PARA MOD. INTELI CONTROL)                                | INSTALLATION ELECTRIQUE CHAUFFAGE<br>(POUR MOD. INTELI CONTROL)                                 |
| 15     | 341941   | CONTACTOR SUPPLY WIRES<br>(MOD.SINGLE-PHASE HEATING.ELE)                                      | CABLES ALIMENTACION CONTACTOR<br>(MOD. CALEFAC.ELEC.MONOFASICA)                                | CABLES ALIMENTATION CONTACTEUR<br>(MOD.CHAUFFAGE ELEC.MONOPHASE)                                |

| N° | REF      | DENOMINATION  | DENOMINACIÓN  | DENOMINATION  |
|----|----------|---|---|---|
| 16 | 10068633 | HEATING RELAY ELECTRICAL WIRING<br>(FOR MOD. LOGI/COIN CONTROL) | INSTALACIÓN ELÉCTRICA RELÉ CALEFACCIÓN<br>(PARA MOD. LOGI/COIN CONTROL) | INSTALLATION ELECTRIQUE RELAIS CHAUFFAGE<br>(POUR MOD. LOGI/COIN CONTROL) |
| 17 | 342642   | HEATER 230V 3000W   | CALEFACTOR 230V 3000W   | RESISTANCE 230V 3000W   |
| 18 | 342659   | HEATER 240V 3000W   | CALEFACTOR 240V 3000W   | RESISTANCE 240V 3000W   |
| 19 | 432708   | CONTACTOR SUPPLY WIRES<br>(MOD.THREE-PHASE ELEC.HEATING)        | CABLES ALIMENTACION CONTACTOR<br>(MOD.CALEFAC. ELEC. TRIFASICA)         | CABLES ALIMENTATION CONTACTEUR<br>(MOD.CHAUFFAGE ELEC. TRIPHASE)          |



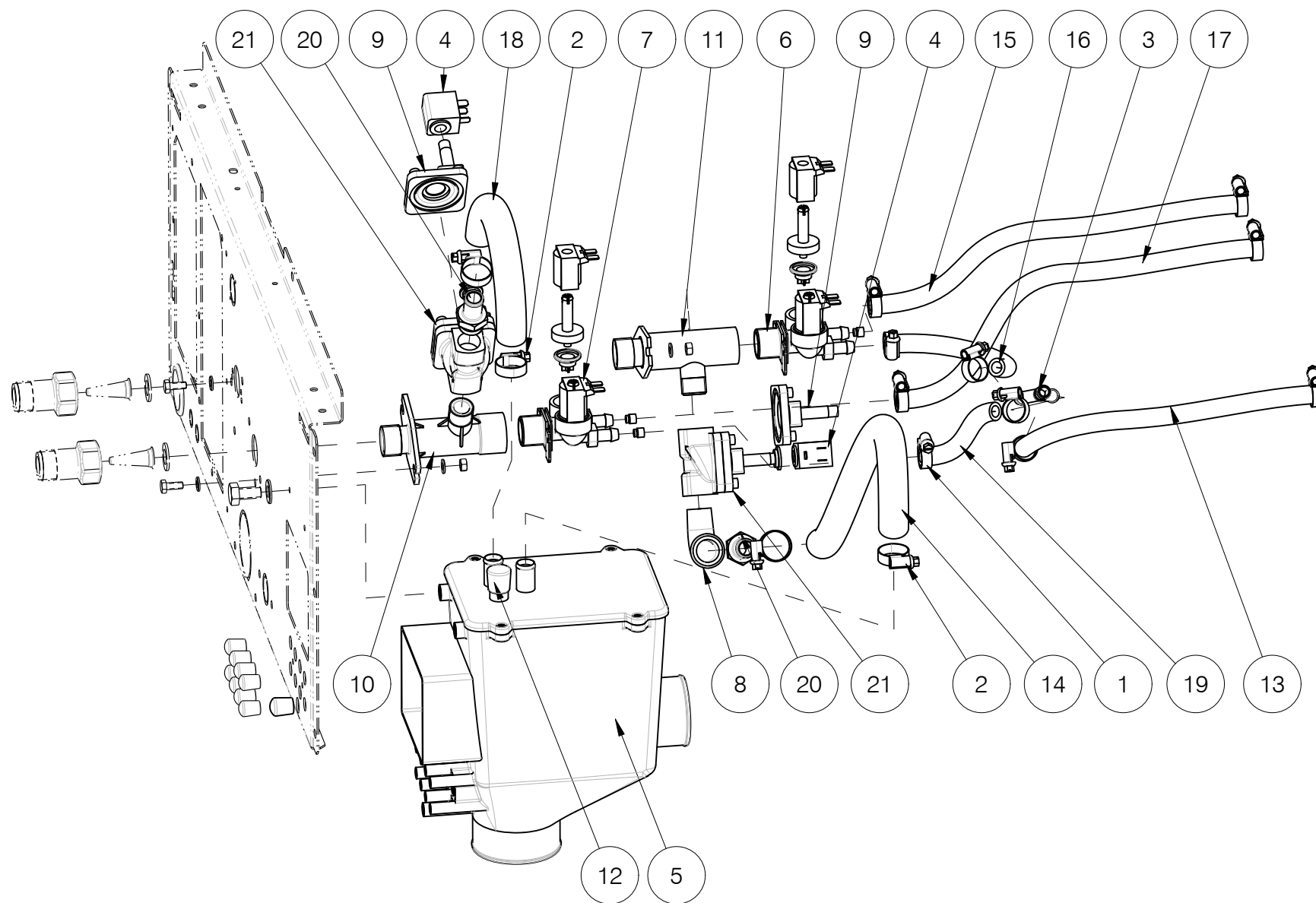
| N°     | REF    | DENOMINATION  | DENOMINACIÓN  | DENOMINATION  |
|--------|--------|---|---|---|
|        |        | STEAM HEATING KITS                                    | KITS CALEFACCION VAPOR                                      | KITS CHAUFFAGE VAPEUR   |
| 796771 |        | STEAM KIT H13-17 IC 50HZ                              | KIT CAL.VAPOR H13-17 IC 50 HZ                               | KIT CHAUF.VAP.H13-17 IC 50HZ                                    |
| 796763 |        | STEAM KIT H13-17 IC 60HZ                              | KIT CAL.VAPOR H13-17 IC 60 HZ                               | KIT CHAUF.VAP.H13-17 IC 60HZ                                    |
| 796797 |        | STEAM KIT H13-17 CC-LC 50HZ                           | KIT CAL.VAPOR H13-17 CC-LC50HZ                              | KIT CHAUF.VAP.H13-17 CC-LC 50H                                  |
| 796789 |        | STEAM KIT H13-17 CC-LC 60HZ                           | KIT CAL.VAPOR H13-17 CC-LC60HZ                              | KIT CHAUF.VAP.H13-17 CC-LC 60H                                  |
| 1      | 108431 | STEAM DISTRIBUTOR                                     | DISTRIBUIDOR VAPOR  | DISTRIBUTEUR VAPEUR   |
| 2      | 109777 | COPPER GASKET 1/2"                                    | 12504 JUNTA COBRE 1/2"                                      | JOINT CUIVRE 1/2"   |
| 3      | 121962 | HEATER INLET LID                                      | CIERRE ENTRADA CALEFACTOR *                                 | FERMETURE ENTREE RESISTANCE                                     |
| 4      | 129445 | FIG. 90 1/2" GALV.                                    | FIGURA 90 DE 1/2" GALV.                                     | FIG. 90 1/2" GALV.  |
| 5      | 129999 | FIG. 531 1/2" GALV                                    | FIGURA 531 DE 1/2" GALV.                                    | FIG. 531 1/2" GALV  |
| 6      | 133728 | STRAINER THREADED 1/2" O'3 PN16                       | FILTRO GG25 ROSC.1/2" PN16 0'3MM INOX                       | FILTRE FILETE 1/2" 0,3 PN16                                     |
| 7      | 149518 | BICR.WASHER B DIN125-ST 8,4                           | ARAN.B DIN125-ST B.TRI. 8,4                                 | RONDELLE.B DIN125-ST BICR.8,4                                   |
| 8      | 156216 | JOINTING SCREW 10903 1/2"                             | 10903 TORNILLO UNION MM1/2"                                 | VIS UNION 10903 1/2"  |
| 9      | 162305 | STEAM INLET JOINTING                                  | UNION ENTRADA VAPOR   | UNION ENTREE VAPEUR   |
| 10     | 164285 | SELF-LOCKING NUT DIN985-8 B.TRI.M8                    | TUER.AUTOBL.DIN985-8 B.TRI.M8                               | ECROU AUTOBLOCANT DIN985-8 B.TRI.M8                             |
| 11     | 183525 | MALE-FEMALE SLEEVE 1/2"                               | MANGUITO MACHO-HEMBRA1/2"LATON                              | FRETTE MALE-FEMELLE 1/2"  |
| 12     | 192849 | BIC.HEX SCREW DIN933-8 M-8X25                         | TOR.EX.DIN933-8.8 B.TRI.M 8X25                              | VIS HEX.DIN933-8,8 BICR.M-8X25                                  |
| 13     | 251355 | STEAM INLET SLEEVE                                    | MANGUITO ENTRADA VAPOR                                      | MANCHON ENTREE VAPEUR   |
| 14     | 341909 | STEAM ELEC.INST.<br>(FOR MOD.INTELI CTRL STEAM)       | INST. ELEC. VAPOR<br>(PARA MOD.INTELI CTRL A VAPOR)         | INST.ELEC.VAPEUR<br>(POUR MOD.INTELI CTRL A VAPEUR)             |
| 15     | 341917 | STEAM ELECTRICAL WIRING<br>(MOD.LOGI/COIN CTRL STEAM) | INSTALACION ELECTRICA VAPOR<br>(MOD.LOGI/COIN CTRL A VAPOR) | INSTALLATION ELECTRIQUE VAPEUR<br>(MOD.LOGI/COIN CTRL A VAPEUR) |
| 16     | 423137 | STEAM INLET BRACKET                                   | SOPORTE ENTRADA VAPOR                                       | SUPPORT ENTREE VAPEUR   |
| 17     | 583369 | STEAM VALVE BODY 1/2"                                 | CUERPO VALV. VAPOR 1/2" *                                   | d   |
| 18     | 583385 | STEAM VALVE COIL 208-240V 50/60Hz                     | BOBINA V.VAPOR 208-240V 50/60Hz *                           | BOBINE V. VAPEUR 208-240V 50/60Hz                               |



| Nº | REF    | DENOMINATION                  | DENOMINACIÓN                             | DENOMINATION                   |
|----|--------|-------------------------------|--|--------------------------------|
| 1  | 155150 | HOSE CLIP ASFA-L W2 8-16      | ABRAZADERA ASFA-L W2 8-16                | COLLIER ASFA-L W2 8-16         |
| 2  | 156109 | CLAMP 16-27                   | ABRAZADERA 16- 27 *                      | BRIDE 16-27                    |
| 3  | 152165 | BRANCH                        | BIFURCACION                              | BIFURCATION                    |
| 4  | 333716 | COIL AB 5W 12V CC 042N0806    | BOBINA AB 5W 12V CC 042N0806             | BOBINE AB 5W 12V CC 042N0806   |
| 5  | 315317 | FILTER BODY                   | CUERPO FILTRO                            | CORPS FILTRE                   |
| 6  | 339689 | DISTRIBUTOR                   | DISTRIBUIDOR                             | DISTRIBUTEUR                   |
| 7  | 511022 | THREE TRACK ELECTROVALVE      | ELECTROVALVULA TRES VIAS                 | ELECTROVANNE TROIS VOIES       |
|    | 510933 | REGULATOR 4 L/MIN.RED         | REGULADOR DE 4L/MIN.ROJO CLARO           | REGULATEUR 4 L/MIN ROUGE       |
|    | 300194 | YELLOW CASE 30053             | ESTUCHE AMARILLO 30053                   | BOITE JAUNE 30053              |
|    | 300202 | INTEGRAL GUIDE-MEMBRANE 30696 | MEMBRANA-GUIA INTEGRAL 30696 *           | MEMBRANE-GUIDE INTEGRALE 30696 |
|    | 332296 | COIL 255043000000 12VCC       | BOBINA 255043000000 12VCC                | BOBINE 255043000000 12VCC      |
| 8  | 521294 | DOUBLE ELECTROVALVE           | ELECTROVALVULA DOS VIAS                  | ELECTROVANNE DOUBLE            |
|    | 156257 | REGULATOR 8 L/MIN (RED)       | REGULADOR DE 8 L/MIN. (ROJO)             | REGULATEUR 8 L/MIN (ROUGE)     |
|    | 156265 | REGULATOR 3 L/MIN (BLACK)     | REGULADOR DE 3 L/MIN. (NEGRO)            | REGULATEUR 3 L/MIN (NOIR)      |
|    | 300194 | YELLOW CASE 30053             | ESTUCHE AMARILLO 30053                   | BOITE JAUNE 30053              |
|    | 300202 | INTEGRAL GUIDE-MEMBRANE 30696 | MEMBRANA-GUIA INTEGRAL 30696 *           | MEMBRANE-GUIDE INTEGRALE 30696 |
|    | 332296 | COIL 255043000000 12VCC       | BOBINA 255043000000 12VCC                | BOBINE 255043000000 12VCC      |
| 9  | 315614 | CONICAL FILTER REF.4008-2-1   | FILTRO CONICO REF.4008-2-1               | FILTRE CONIQUE REF.4008-2-1    |
| 10 | 114348 | GASKET D24XD13,5X2            | JUNTA MIFLEX D24X13, 5X2 EPDM WRC 400105 | JOINT D24XD13,5X2              |
| 11 | 341685 | SPARE-PARTS KIT EV220A 12-14B | KIT REPUES.EV220A 12-14B *               | KIT RECHANGES EV220A 12-14B    |
| 12 | 333682 | ELECTROVALVE BRACKET          | SOPORTE ELECTROVALVULAS                  | SUPPORT ELECTROVANNES          |
| 13 | 156679 | CONICAL END-PIECE R-16 D10    | TOPE CONICO REPRIMSA R-16 D10            | BOUCHON CONIQUE R-16 D10       |
| 14 | 411371 | WATER INLET HOSE              | TUBO ENTRADA AGUA                        | TUBE ENTREE EAU                |
| 15 | 411397 | WATER INLET HOSE              | TUBO ENTRADA AGUA                        | TUBE ENTREE EAU                |
| 16 | 427187 | WATER INLET HOSE              | TUBO ENTRADA AGUA                        | TUBE ENTREE EAU                |
| 17 | 427195 | WATER INLET HOSE              | TUBO ENTRADA AGUA                        | TUBE ENTREE EAU                |
| 18 | 429845 | WATER INLET HOSE              | TUBO ENTRADA AGUA                        | TUBE ENTREE EAU                |
| 19 | 433680 | WATER INLET HOSE              | TUBO ENTRADA AGUA                        | TUBE ENTREE EAU                |

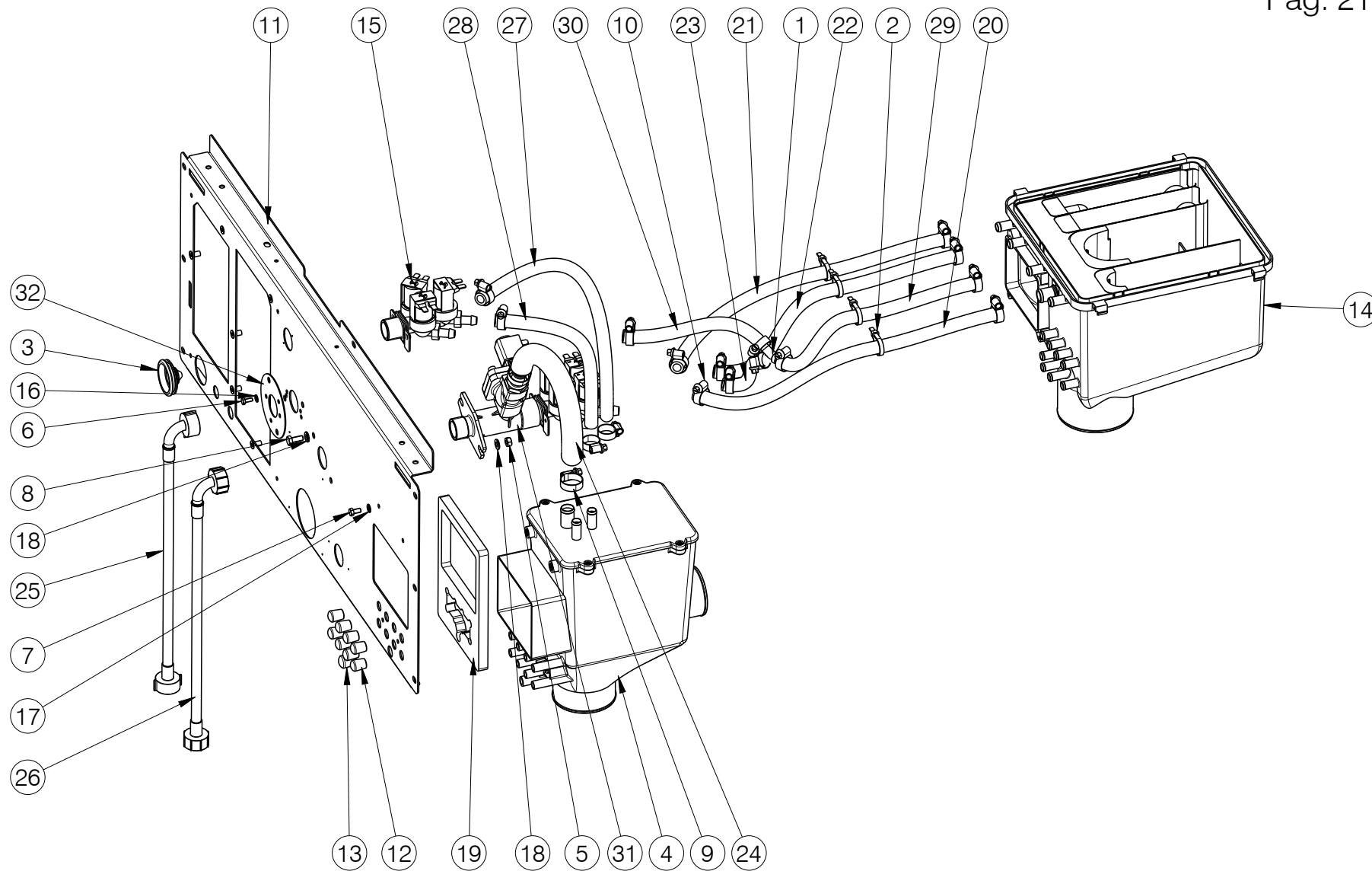


| N° | REF    | DENOMINATION              | DENOMINACIÓN                   | DENOMINATION              |
|----|--------|---------------------------|--------------------------------|---------------------------|
| 20 | 333690 | FIG. 243 MI 1/2" BRASS    | FIGURA 243 MI DE 1/2" LATON    | FIG. 243 MI 1/2" LAITON   |
| 21 | 333708 | VALVE EV220A G12 042U4022 | CUERPO VAL.EV220A G12 042U4022 | VANNE EV220A G12 042U4022 |



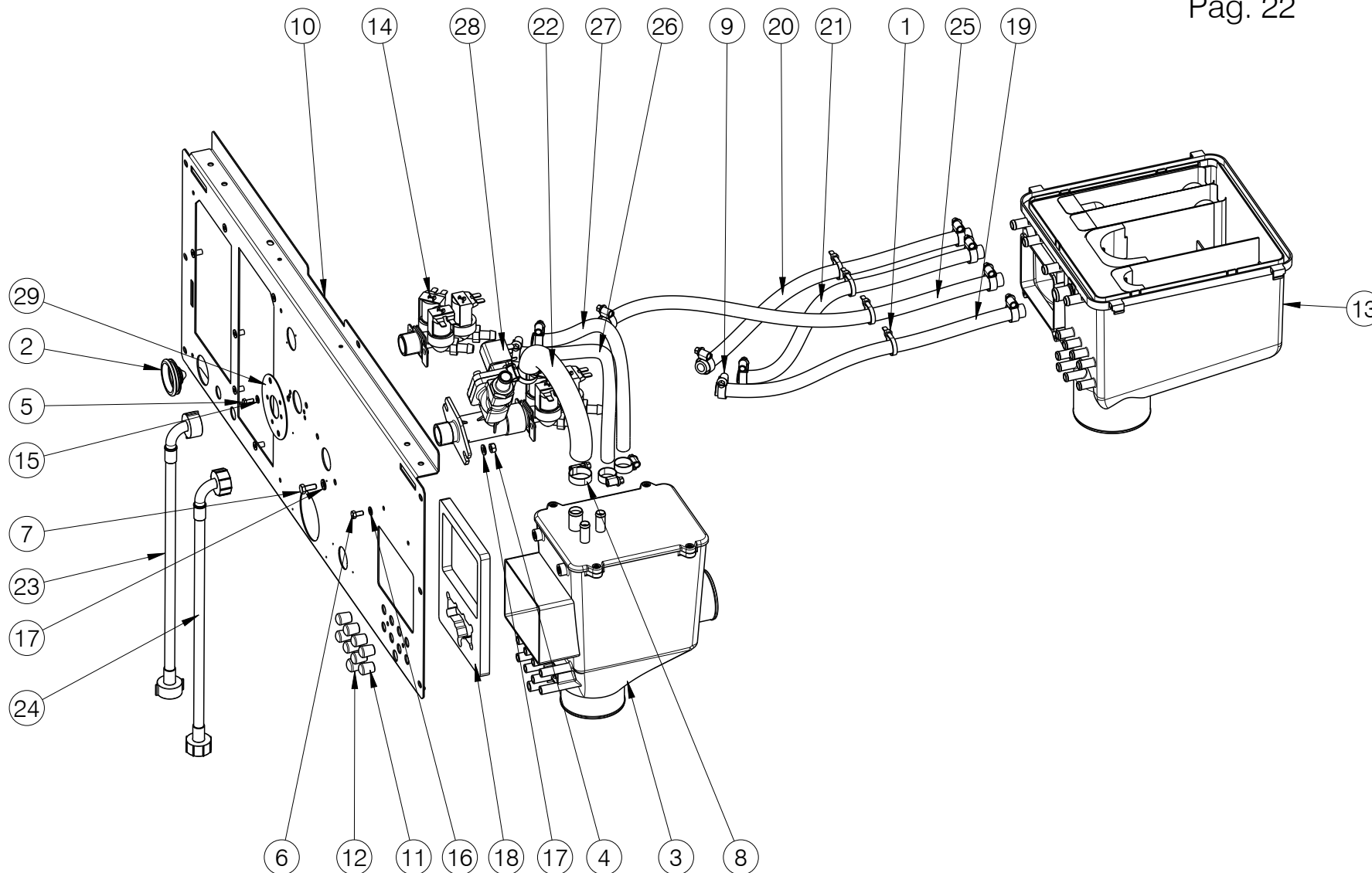
| N° | REF    | DENOMINATION                  | DENOMINACIÓN                   | DENOMINATION                   |
|----|--------|-------------------------------|--------------------------------|--------------------------------|
| 1  | 155150 | HOSE CLIP ASFA-L W2 8-16      | ABRAZADERA ASFA-L W2 8-16      | COLLIER ASFA-L W2 8-16         |
| 2  | 156109 | CLAMP 16-27                   | ABRAZADERA 16- 27 *            | BRIDE 16-27                    |
| 3  | 152165 | BRANCH                        | BIFURCACION                    | BIFURCATION                    |
| 4  | 333716 | COIL AB 5W 12V CC 042N0806    | BOBINA AB 5W 12V CC 042N0806   | BOBINE AB 5W 12V CC 042N0806   |
| 5  | 333658 | DISTRIBUTOR                   | DISTRIBUIDOR                   | DISTRIBUTEUR                   |
| 6  | 511089 | DOUBLE ELECTROVALVE           | ELECTROVALVULA DOS VIAS        | ELECTROVANNE DOUBLE            |
|    | 510933 | REGULATOR 4 L/MIN.RED         | REGULADOR DE 4L/MIN.ROJO CLARO | REGULATEUR 4 L/MIN ROUGE       |
|    | 300194 | YELLOW CASE 30053             | ESTUCHE AMARILLO 30053         | BOITE JAUNE 30053              |
|    | 300202 | INTEGRAL GUIDE-MEMBRANE 30696 | MEMBRANA-GUIA INTEGRAL 30696 * | MEMBRANE-GUIDE INTEGRALE 30696 |
|    | 332296 | COIL 255043000000 12VCC       | BOBINA 255043000000 12VCC      | BOBINE 255043000000 12VCC      |
| 7  | 521294 | DOUBLE ELECTROVALVE           | ELECTROVALVULA DOS VIAS        | ELECTROVANNE DOUBLE            |
|    | 156257 | REGULATOR 8 L/MIN (RED)       | REGULADOR DE 8 L/MIN. (ROJO)   | REGULATEUR 8 L/MIN (ROUGE)     |
|    | 156265 | REGULATOR 3 L/MIN (BLACK)     | REGULADOR DE 3 L/MIN. (NEGRO)  | REGULATEUR 3 L/MIN (NOIR)      |
|    | 300194 | YELLOW CASE 30053             | ESTUCHE AMARILLO 30053         | BOITE JAUNE 30053              |
|    | 300202 | INTEGRAL GUIDE-MEMBRANE 30696 | MEMBRANA-GUIA INTEGRAL 30696 * | MEMBRANE-GUIDE INTEGRALE 30696 |
|    | 332296 | COIL 255043000000 12VCC       | BOBINA 255043000000 12VCC      | BOBINE 255043000000 12VCC      |
| 8  | 129494 | ELBOW FIG 92 1/2" GALV        | FIGURA 92 DE 1/2"AMAT GALV.    | COUDE FIG 92 1/2" GALV         |
| 9  | 341685 | SPARE-PARTS KIT EV220A 12-14B | KIT REPUES.EV220A 12-14B *     | KIT RECHANGES EV220A 12-14B    |
| 10 | 333682 | ELECTROVALVE BRACKET          | SOPORTE ELECTROVALVULAS        | SUPPORT ELECTROVANNES          |
| 11 | 552133 | ELECTROVALVE BRACKET          | SOPORTE ELECTROVALVULAS        | SUPPORT ELECTROVANNES          |
| 12 | 156687 | CONICAL END-PIECE R-16 D16    | TOPE CONICO REPRIMSA R-16 D16  | ARRET CONIQUE R-16 D16         |
| 13 | 410613 | WATER INLET HOSE              | TUBO ENTRADA AGUA              | TUBE ENTRÉE EAU                |
| 14 | 411199 | WATER INLET HOSE              | TUBO ENTRADA AGUA              | TUBE ENTRÉE EAU                |
| 15 | 411389 | WATER INLET HOSE              | TUBO ENTRADA AGUA              | TUBE ENTREE EAU                |
| 16 | 427187 | WATER INLET HOSE              | TUBO ENTRADA AGUA              | TUBE ENTREE EAU                |
| 17 | 427195 | WATER INLET HOSE              | TUBO ENTRADA AGUA              | TUBE ENTREE EAU                |
| 18 | 429845 | WATER INLET HOSE              | TUBO ENTRADA AGUA              | TUBE ENTREE EAU                |
| 19 | 433680 | WATER INLET HOSE              | TUBO ENTRADA AGUA              | TUBE ENTREE EAU                |

| N° | REF    | DENOMINATION              | DENOMINACIÓN                   | DENOMINATION              |
|----|--------|---------------------------|--------------------------------|---------------------------|
| 20 | 333690 | FIG. 243 MI 1/2" BRASS    | FIGURA 243 MI DE 1/2" LATON    | FIG. 243 MI 1/2" LAITON   |
| 21 | 333708 | VALVE EV220A G12 042U4022 | CUERPO VAL.EV220A G12 042U4022 | VANNE EV220A G12 042U4022 |



| N° | REF      | DENOMINATION                   | DENOMINACIÓN                   | DENOMINATION                    |
|----|----------|--------------------------------|--------------------------------|---------------------------------|
| 1  | 152165   | BRANCH                         | BIFURCACION                    | BIFURCATION                     |
| 2  | 140525   | CLAMP 2244-0                   | BRIDA UNEX 2244-0 *            | BRIDE 2244-0                    |
| 3  | 139683   | CONE ECPC-6                    | CONO HIMEL ECPC-6              | CONE ECPC-6                     |
| 4  | 339689   | DISTRIBUTOR                    | DISTRIBUIDOR                   | DISTRIBUTEUR                    |
| 5  | 150227   | BICR HEX NUT DIN934-8 M6       | TUER.EX.DIN934-8 B.TRI.M 6     | ECROU HEX DIN934-8 BICR.M6      |
| 6  | 146258   | BIC.HEX SCREW DIN933-4.8 M4X10 | TOR.EX.DIN933-4.8 B.TRI.M 4X10 | VIS HEX DIN933-4.8 BICR.M 4X10  |
| 7  | 146274   | BICR.HEX SCREW DIN933-8 M-5X10 | TOR.EX.DIN933-8.8 B.TRI.M 5X10 | VIS HEX.BICR.DIN933-8.8 M-5X10  |
| 8  | 146233   | BICR.HEX SCREW DIN933-8 M6X15  | TOR.EX.DIN933-8.8 B.TRI.M 6X15 | VIS HEX DIN933-8.8 BICR.M6X15   |
| 9  | 156109   | CLAMP 16-27                    | ABRAZADERA 16- 27 *            | BRIDE 16-27                     |
| 10 | 155150   | HOSE CLIP ASFA-L W2 8-16       | ABRAZADERA ASFA-L W2 8-16      | COLLIER ASFA-L W2 8-16          |
| 11 | 432229   | REAR PANEL                     | PANEL POSTERIOR                | PANNEAU ARRIERE                 |
| 12 | 156679   | CONICAL END-PIECE R-16 D10     | TOPE CONICO REPRIMSA R-16 D10  | BOUCHON CONIQUE R-16 D10        |
| 13 | 357624   | CONICAL END-PECE R-16 D12      | TOPE CONICO REPRIMSA R-16 D12  | BOUCHON CONIQUE R-16 D12        |
| 14 | 511576   | SOAP DISPENSER SET             | CONJUNTO DOSIFICADOR           | ENSEMBLE BAC A PRODUITS         |
| 15 | 333674   | TRIPLE ELECTROVALVE 369 180°   | ELECTROV.TRIPLE 369 180°12VCC* | ELECTROVANNE TRIPLE 369 180°    |
| 16 | 149476   | BICR.WASHER B DIN125-ST 4,3    | ARAN.B DIN125-ST B.TRI. 4,3    | RONDELLE B DIN125-ST BICR.4,3   |
| 17 | 149534   | BICR.WASHER B DIN125-ST 5,3    | ARAN.B DIN125-ST BICR. 5,3     | RONDELLE B BICR.DIN125-ST 5,3   |
| 18 | 149526   | BICR.WASHER B DIN125-ST 6,4    | ARAN.B DIN125-ST B.TRI. 6,4    | BICR.WASHER B DIN125-ST 6,4     |
| 19 | 10003960 | WATER DEFLECTOR                | DEFLECTOR AGUA                 | DÉFLECTEUR EAU                  |
| 20 | 411389   | WATER INLET HOSE               | TUBO ENTRADA AGUA              | TUBE ENTREE EAU                 |
| 21 | 411389   | WATER INLET HOSE               | TUBO ENTRADA AGUA              | TUBE ENTREE EAU                 |
| 22 | 427195   | WATER INLET HOSE               | TUBO ENTRADA AGUA              | TUBE ENTREE EAU                 |
| 23 | 429829   | WATER INLET HOSE               | TUBO ENTRADA AGUA              | TUBE ENTREE EU                  |
| 24 | 429845   | WATER INLET HOSE               | TUBO ENTRADA AGUA              | TUBE ENTREE EAU                 |
| 25 | 323493   | WATER INLET AC DI10MM L1,5M    | TUBO ENTRADA AC DI10MM L1,5M * | FLEXIBLE ENTRÉE AC DI10MM L1,5M |
| 26 | 323477   | WATER INLET AF DI10MM L1,5M    | TUBO ENTRADA AF DI10MM L1,5M * | FLEXIBLE ENTRÉE AF DI10MM L1,5M |
| 27 | 10920080 | WATER INLET HOSE T 85°C        | TUBO ENTRADA AGUA T 85°C       | TUBE ENTRÉE EAU T 85°C          |
| 28 | 10920122 | WATER INLET HOSE T 85°C        | TUBO ENTRADA AGUA T 85°C       | TUBE ENTREE EAU T 85°C          |

| N° | REF      | DENOMINATION            | DENOMINACIÓN             | DENOMINATION           |
|----|----------|-------------------------|--------------------------|------------------------|
| 29 | 10920148 | WATER INLET HOSE T 85°C | TUBO ENTRADA AGUA T 85°C | TUBE ENTRÉE EAU T 85°C |
| 30 | 10920148 | WATER INLET HOSE T 85°C | TUBO ENTRADA AGUA T 85°C | TUBE ENTRÉE EAU T 85°C |
| 31 | 422782   | GRUPO ENTRADA AGUA      | GRUPO ENTRADA AGUA       | GRUPO ENTRADA AGUA     |
| 32 | 606939   | FIXING PLATE VALVE      | CHAPA FIJACION VALVULA   | PLATEAU FIXATION VANNE |





| Nº | REF      | DENOMINATION                   | DENOMINACIÓN                   | DENOMINATION                    |
|----|----------|--------------------------------|--------------------------------|---------------------------------|
| 1  | 140525   | CLAMP 2244-0                   | BRIDA UNEX 2244-0 *            | BRIDE 2244-0                    |
| 2  | 139683   | CONE ECPC-6                    | CONO HIMEL ECPC-6              | CONE ECPC-6                     |
| 3  | 339689   | DISTRIBUTOR                    | DISTRIBUIDOR                   | DISTRIBUTEUR                    |
| 4  | 150227   | BICR HEX NUT DIN934-8 M6       | TUER.EX.DIN934-8 B.TRI.M 6     | ECROU HEX DIN934-8 BICR.M6      |
| 5  | 146258   | BIC.HEX SCREW DIN933-4.8 M4X10 | TOR.EX.DIN933-4.8 B.TRI.M 4X10 | VIS HEX DIN933-4.8 BICR.M 4X10  |
| 6  | 146274   | BICR.HEX SCREW DIN933-8 M-5X10 | TOR.EX.DIN933-8.8 B.TRI.M 5X10 | VIS HEX.BICR.DIN933-8.8 M-5X10  |
| 7  | 146233   | BICR.HEX SCREW DIN933-8 M6X15  | TOR.EX.DIN933-8.8 B.TRI.M 6X15 | VIS HEX DIN933-8.8 BICR.M6X15   |
| 8  | 156109   | CLAMP 16-27                    | ABRAZADERA 16- 27 *            | BRIDE 16-27                     |
| 9  | 155150   | HOSE CLIP ASFA-L W2 8-16       | ABRAZADERA ASFA-L W2 8-16      | COLLIER ASFA-L W2 8-16          |
| 10 | 432229   | REAR PANEL                     | PANEL POSTERIOR                | PANNEAU ARRIERE                 |
| 11 | 156679   | CONICAL END-PIECE R-16 D10     | TOPE CONICO REPRIMSA R-16 D10  | BOUCHON CONIQUE R-16 D10        |
| 12 | 357624   | CONICAL END-PECE R-16 D12      | TOPE CONICO REPRIMSA R-16 D12  | BOUCHON CONIQUE R-16 D12        |
| 13 | 511576   | SOAP DISPENSER SET             | CONJUNTO DOSIFICADOR           | ENSEMBLE BAC A PRODUITS         |
| 14 | 333674   | TRIPLE ELECTROVALVE 369 180°   | ELECTROV.TRIPLE 369 180°12VCC* | ELECTROVANNE TRIPLE 369 180°    |
| 15 | 149476   | BICR.WASHER B DIN125-ST 4,3    | ARAN.B DIN125-ST B.TRI. 4,3    | RONDELLE B DIN125-ST BICR.4,3   |
| 16 | 149534   | BICR.WASHER B DIN125-ST 5,3    | ARAN.B DIN125-ST BICR. 5,3     | RONDELLE B BICR.DIN125-ST 5,3   |
| 17 | 149526   | BICR.WASHER B DIN125-ST 6,4    | ARAN.B DIN125-ST B.TRI. 6,4    | BICR.WASHER B DIN125-ST 6,4     |
| 18 | 10003960 | WATER DEFLECTOR                | DEFLECTOR AGUA                 | DÉFLECTEUR EAU                  |
| 19 | 411363   | WATER INLET HOSE               | TUBO ENTRADA AGUA              | TUBE ENTREE EAU                 |
| 20 | 427195   | WATER INLET HOSE               | TUBO ENTRADA AGUA              | TUBE ENTREE EAU                 |
| 21 | 427195   | WATER INLET HOSE               | TUBO ENTRADA AGUA              | TUBE ENTREE EAU                 |
| 22 | 429845   | WATER INLET HOSE               | TUBO ENTRADA AGUA              | TUBE ENTREE EAU                 |
| 23 | 323493   | WATER INLET AC DI10MM L1,5M    | TUBO ENTRADA AC DI10MM L1,5M * | FLEXIBLE ENTRÉE AC DI10MM L1,5M |
| 24 | 323477   | WATER INLET AF DI10MM L1,5M    | TUBO ENTRADA AF DI10MM L1,5M * | FLEXIBLE ENTRÉE AFDI10MM L1,5M  |
| 25 | 10919835 | WATER INLET HOSE T 85°C        | TUBO ENTRADA AGUA T 85°C       | TUBE ENTRÉE EAU T 85°C          |
| 26 | 10919850 | WATER INLET TUBE               | TUBO ENTRADA AGUA              | TUBE ENTREE EAU                 |
| 27 | 10919850 | WATER INLET TUBE               | TUBO ENTRADA AGUA              | TUBE ENTREE EAU                 |
| 28 | 455931   | GRUPO ENTRADA AGUA             | GRUPO ENTRADA AGUA             | GRUPO ENTRADA AGUA              |

| N° | REF    | DENOMINATION       | DENOMINACIÓN           | DENOMINATION           |
|----|--------|--------------------|------------------------|------------------------|
| 29 | 606939 | FIXING PLATE VALVE | CHAPA FIJACION VALVULA | PLATEAU FIXATION VANNE |