

Mod.	From serial no. A partir máq. nº
HS-6024	2.391.367
EH060	2.402.033

**Parts Handbook for Washers**  
**Manual de recambios para lavadoras**  
**Notice Vues Eclatées pour laveuses**

**HS-6024**  
**EH060**

**GIRBAU, S.A.**

Crta de Manlleu, km. 1  
08500 VIC (Barcelona) • SPAIN  
Tel. 34 93 8861100  
Fax 34 93 8860785  
girbau@girbau.es  
[www.girbau.com](http://www.girbau.com)

USA, CANADA:

**CONTINENTAL GIRBAU Inc.**

2500 State Road 44  
WI 54904 Oshkosh • USA  
Tel. 1(920) 231-8222  
Fax 1(920) 231-4666  
info@cont-girbau.com  
[www.cont-girbau.com](http://www.cont-girbau.com)

**Parts Handbook**  
**Manual de recambios**  
**Vues Eclatées**

**HS-6024**  
**EH060**

**NOTES TO USE PARTS LIST**

Sheets no. 1, 2, 3, 4, 5, 6, 18, 24:  
Are common for all versions.

Sheets no. 7, 15:  
Logi Control

Sheets no. 7, 16:  
Coin Control

Sheets no. 8, 17, 19:  
Inteli Control

Sheet no. 9:  
Logi Control & Coin Control with  
high temperature valve

Sheet no. 10:  
Inteli Control with high  
temperature valve

Sheet no. 11:  
Inteli Control with third water inlet

Sheet no. 12:  
Inteli Control with third water  
inlet & high temperature valve

Sheet no. 20:  
One drain

Sheet no. 21:  
Double drain

Sheet no. 22:  
Electric heating

Sheet no. 23:  
Steam heating

Sheet no. 13:  
EH060 Coin Control

Sheet no. 14:  
EH060 Coin Control with  
high temperature valve

Sheets no. 25, 26:  
GIRBAU WRAS

**ACLARACIONES PARA EL USO  
DEL MANUAL DE RECAMBIOS**

Hojas nº 1, 2, 3, 4, 5, 6, 18, 24: Son  
comunes a todas las variantes.

Hojas nº 7, 15:  
Logi Control

Hojas nº 7, 16:  
Coin Control

Hojas nº 8, 17, 19:  
Inteli Control

Hoja nº 9:  
Logi Control y Coin Control con  
válvula alta temperatura

Hoja nº 10:  
Inteli Control con válvula alta  
temperatura

Hoja nº 11:  
Inteli Control con tercera entrada  
agua

Hoja nº 12:  
Inteli Control con tercera entrada  
agua y válvula alta temperatura

Hoja nº 20:  
Un desagüe

Hoja nº 21:  
Doble desagüe

Hoja nº 22:  
Calefacción eléctrica

Hoja nº 23:  
Calefacción a vapor

Hoja nº 13:  
EH060 Coin Control

Hoja nº 14:  
EH060 Coin Control con válvula  
alta temperatura

Hojas nº 25 y 26:  
GIRBAU WRAS

**NOTES UTILISATION VUES  
ECLATEES**

Feuilles no.1, 2, 3, 4, 5, 6, 18, 24:  
Sont communes à toutes les  
versions.

Feuilles no. 7, 15:  
Logi Control

Feuilles no. 7, 16:  
Coin Control

Feuilles no. 8, 17, 19:  
Inteli Control

Feuille no. 9:  
Logi Control et Coin Control  
avec vanne haute température

Feuille no. 10:  
Inteli Control avec vanne haute  
température

Feuille no. 11:  
Inteli Control avec troisieme  
entree eau

Feuille no. 12:  
Inteli Control avec troisieme  
entree eau et vanne haute  
température

Feuille no. 20:  
Un vidange

Feuille no. 21:  
Double vidange

Feuille no. 22:  
Chauffage électrique

Feuille no. 23:  
Chauffage à vapeur

Feuille no. 13:  
EH060 Coin Control

Feuille no. 14:  
EH060 Coin Control avec  
vanne haute température

Feuilles no. 25, 26 :  
GIRBAU WRAS

**VERY IMPORTANT:**

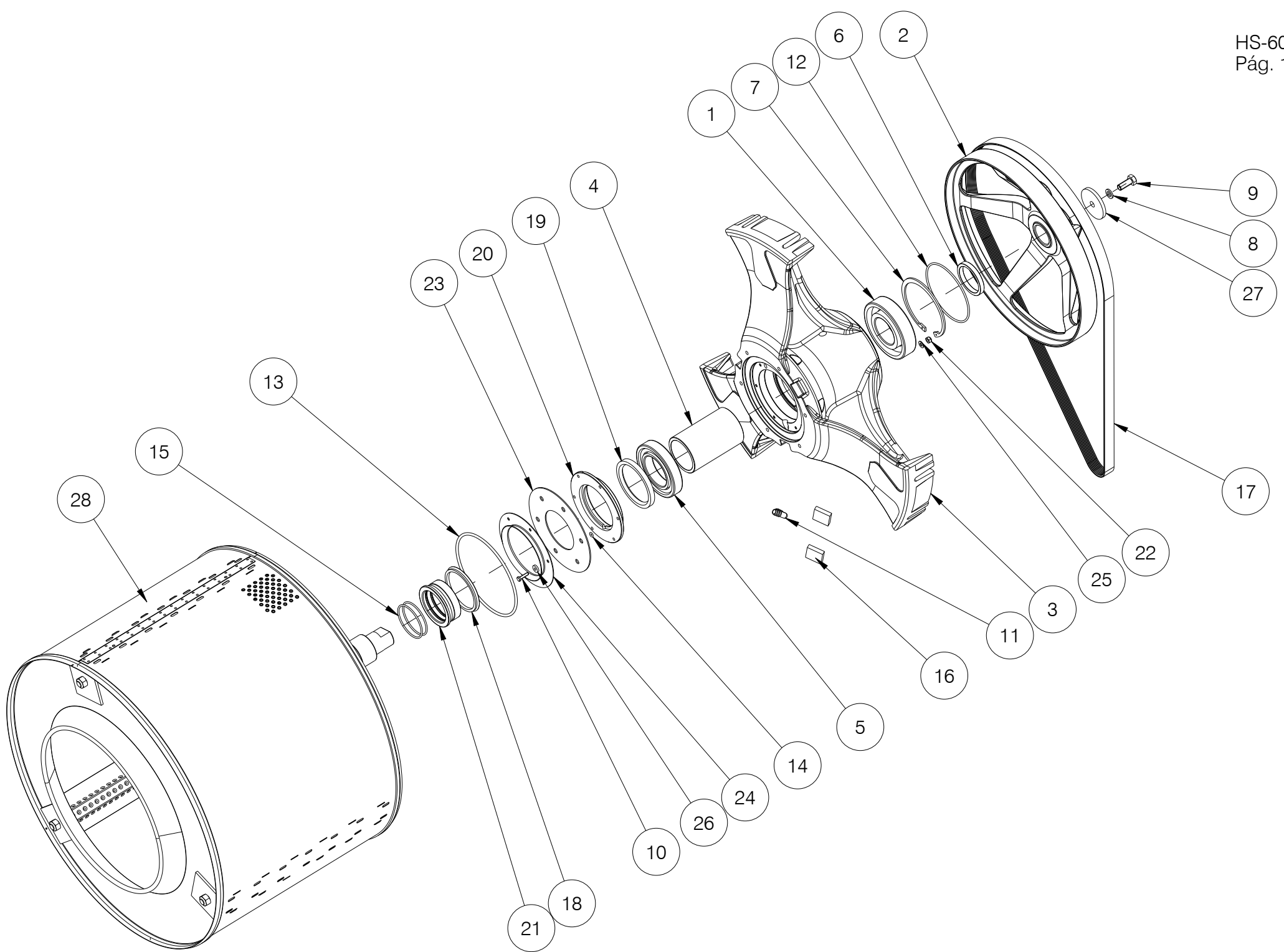
Before ordering parts be  
sure they have not been  
modified. Check it on  
modification sheet, after  
the corresponding sheet.

**MUY IMPORTANTE:**

Al pedir una pieza  
cerciorarse antes de que  
la misma no ha sido  
modificada. Si lo hubiese  
sido, estaría situada como  
hoja de modificaciones,  
detrás de la hoja  
correspondiente.

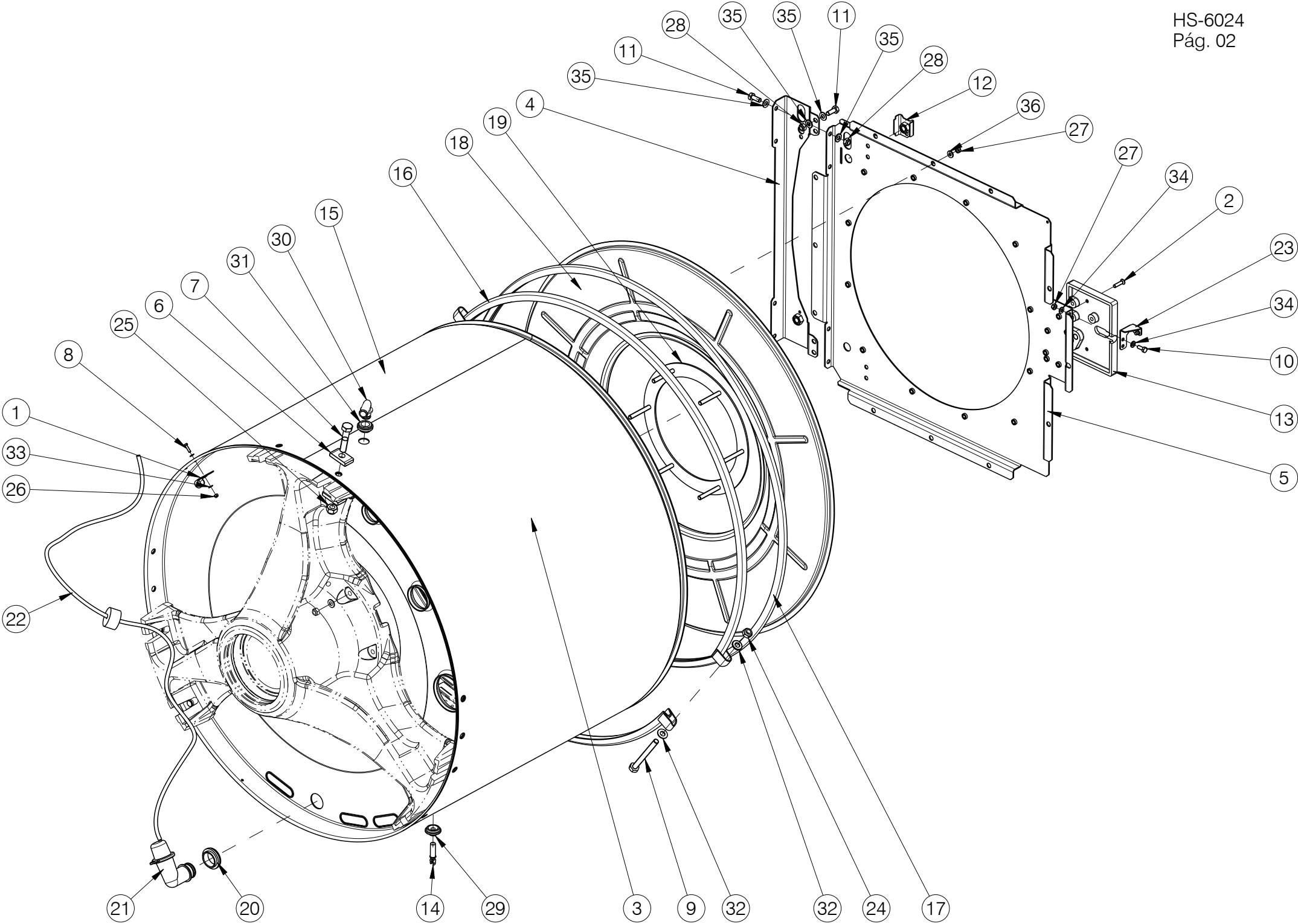
**TRES IMPORTANT:**

Avant de commander  
une pièce, s'assurer  
qu'elle n'a pas été  
modifiée. Le vérifier sur  
feuille de modifications,  
derrière la feuille  
correspondante.



N°	REF	DENOMINATION	DENOMINACIÓN	DENOMINATION
1	584169	BEARING 6314-2Z	RODAMIENTO 6314-2Z	ROULEMENT 6314-2Z
2	342543	BASKET PULLEY	POLEA TAMBOR	POULIE TAMBOUR
3	607689	BEARING BOX	ESTRELLA CAJA COJINETES	BOITE ROULEMENTS
4	590745	BEARING END-PIECE	TOPE COJINETES	ARRET ROULEMENTS
5	590711	BEARING NU 216 ECP	RODAMIENTO NU 216 ECP	ROULEMENT NU 216 ECP
6	588715	DRUM PULLEY SPACER	SEPARADOR POLEA TAMBOR	SEPARATEUR POULIE TAMBOUR
7	586859	FLEXIBLE RING I-150 DIN472	2NILLO ELASTICO I-150 DIN 472	BAGUE ELASTIQUE I-150 DIN472
8	149831	PAV A14 DIN127 GROWER WASHER	ARAN.GROWER A14 DIN127 PAVON.	RONDELLE GROWER A14 DIN127 PAV
9	186312	HEX SCREW 8G DIN933 M14X35	TOR.EX.DIN933-8.8 B.TRI.M14X35	VIS HEX 8G DIN933 M14X35
10	144915	INOX HEX SCREW DIN933 M 6X25	TOR.EX.DIN933INOX A2-70 M 6X25	VIS HEX INOX DIN933 M 6X25
11	193904	HOSE ELBOW 3/8" RE. 46602	CODO MANGUERA 3/8" REF.46602	COUDE TUYAU 3/8" REF. 46602
12	608372	TORIC GASKET 148X158X5 NBR 70SH	JUNTA TORICA 148X158X5 NBR 70SH	JOINT TORIQUE 148X158X5 NBR 70SH
13	591065	TORIC GASKET 210X222X6 NBR70SH	JUNTA TORICA 210X222X6 NBR70SH	JOINT TORIQUE 210X222X6 NBR70S
14	181321	TORIC GASKET 6X12X3	JUNTA TORICA 6X12X3	JOINT TORIQUE 6X12X3
15	333781	TORIC GASKET 82.14X89.2X3.53	JUNTA TORICA 82.14X89.2X3.53	JOINT TORIQUE 82.14X89.2X3.53
16	431205	PRESSOSTAT HOSE PROTECTION	PROTECCION TUBO PRESOSTATO	PROTECTION TUBE PRESSOSTAT
17	614404	RIBBED BELT 8PK2235	CORREA ESTR. 8PK2235	COURROIE STRIE 8PK2235
18	591354	RING V-RING V-100A VITON	ANILLO V-RING V-100A VITON	BAGUE V-RING V-100A VUTON
19	583930	SEAL 100X125X12 BA NBR70SH	RETEN 100X125X12 BA NBR70SH	RESERVE 100X125X12 BA NBR70SH
20	586917	SEAL HOLDER COVER	TAPA PORTA-RETEN	COUVERCLE PORTE-RESERVE
21	591081	SEAL RING	ANILLO RETENES	BAGUE RESERVES
22	164285	SELF-LOCKING NUT DIN985-8 B.TRI.M8	TUER.AUTOBL.DIN985-8 B.TRI.M8	ECROU AUTOBLOCANT DIN985-8 B.TRI.M8
23	588699	V.RING PLATE	PLATINA V-RING	PLATINE V-RING
24	585877	V-RING PROTECTION	PROTECCION V-RING	PROTECTION V-RING
25	149518	BICR.WASHER B DIN125-ST 8,4	ARAN.B DIN125-ST B.TRI. 8,4	RONDELLE.B DIN125-ST BICR.8,4
26	422220	WASHER D18XD6.5X4	ARANDELA 18X6.5X4 INOX	RONDELLE D18XD6.5X4
27	212589	WASHER 80X15X8	ARANDELA 80X15X8 TRIVALEN.	RONDELLE 80X15X8

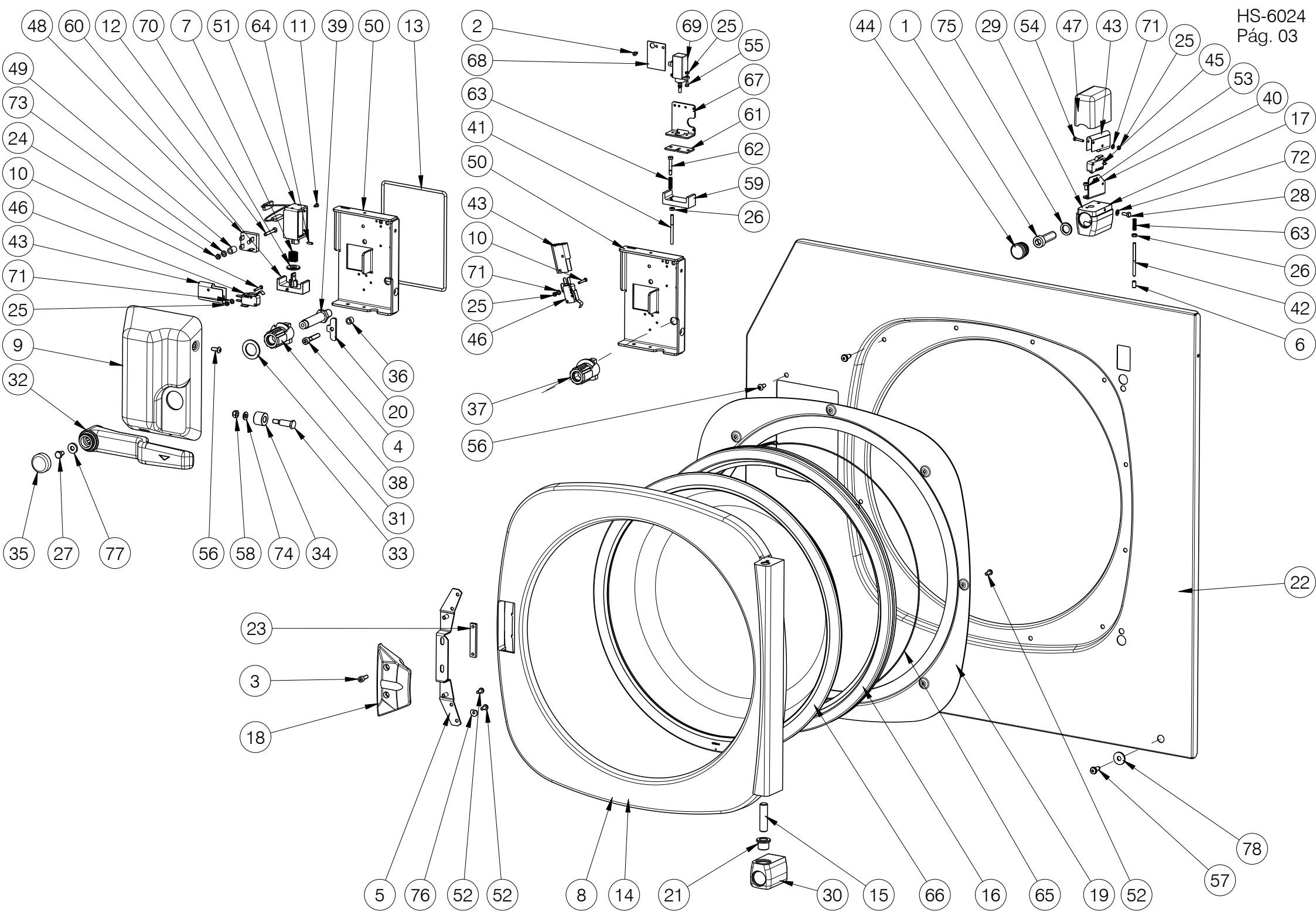
N°	REF	DENOMINATION	DENOMINACIÓN	DENOMINATION
28	589143	BASKET (FOR PAINTED BASKET PLATE)	TAMBOR (PARA PLATO TAMBOR PINTADO)	TAMBOUR (POUR PLAQUE PEINTE TAMBOUR)
	593483	BASKET (FOR INOX BASKET PLATE)	TAMBOR (PARA PLATO TAMBOR INOX)	TAMBOUR (POUR PLAQUE INOX TAMBOUR)



N°	REF	DENOMINATION	DENOMINACIÓN	DENOMINATION
1	140418	CLAMP UNEX REF 1201	BRIDA UNEX 1201	BRIDE UNEX REF 1201
2	119057	BRASS LENS-HEAD S.DIN963 M6X25	TOR.AVELL.LATON DIN963 M 6X25	VIS T/FRAIS.LAIT.DIN963 M 6X25
3	106526	SILICONE BAYER 920	SILICONA DC 7091 GRIS 310ML	SILICONE BAYER 920
4	10007318	DOOR HINGE SUPPORT ASSEMBLY	CONJUNTO SOPORTE BISAGRA PUERTA	ENSEMBLE SUPPORT CHARNIÈRE PORTE
5	10007060	DOOR SUPPORT ASSEMBLY	CONJUNTO SOPORTE PUERTA	ENSEMBLE SUPPORT PORTE
6	592709	STAR FIX. HANDRAIL	PASAMANO FIJ. ESTRELLA	PASSEMMAIN FIX. STAR
7	145524	HEX SCREW 8G DIN931 M12X55	TOR.EX.DIN931-8.8 B.TRI.M12X55	VIS HEX 8G DIN931 M12X55
8	146266	BICR.HEX SCREW DIN933-8 M-4X15	TOR.EX.DIN933-4.8 B.TRI.M 4X15	VIS HEX BICR.DIN933-8.8 M-4X15
9	146563	BICR HEX SCREW DIN933 M-10X100	TOR.EX.DIN933-88 B.TRI.M10X100	VIS HEX DIN-933-8.8 BI.M10X100
10	146233	BICR.HEX SCREW DIN933-8 M6X15	TOR.EX.DIN933-8.8 B.TRI.M 6X15	VIS HEX DIN933-8.8 BICR.M6X15
11	146399	BICR HEX SCREW DIN933-8 M8X20	TOR.EX.DIN933-8.8 B.TRI.M 8X20	VIS HEX DIN933-8.8 BICR.M8X20
12	10005510	HINGE FLOATING SUPPORT ASSEMBLY	CONJUNTO SOPORTE FLOTANTE BISAGRA	ENSEMBLE SUPPORT FLOTTANT CHARNIÈRE
13	603464	LOCKING BASE	BASE CIERRE	BASE FERMETURE
14	193862	NTC RESISTANCE	RESISTENCIA NTC	RESISTANCE NTC
15	589846	OUTER DRUM	ENVOLVENTE	CUVE
16	591222	OUTER DRUM FIXING SEMI-RING	SEMI-ARO FIJACION ENVOLVENTE	DEMI.BAGUE FIXATION CUVE
17	591248	OUTER DRUM FRONT GASKET	JUNTA FRONTAL ENVOLVENTE	JOINT FRONTAL CUVE
18	588723	OUTER DRUM FRONT PANEL	FRONTAL ENVOLVENTE	FRONTAL CUVE
19	586867	OUTER DRUM PLATE SET	CONJUNTO PLATINA ENVOLVENTE	ENSEMBLE PLATINE CUVE
20	320036	PRESSURE T.BODY SHEATH-LODGING	PASAMUROS CUERPO PRESOSTATO	LOGEMENT CORPS PRESSOSTAT
21	320382	PRESSURE TRANSMITT INTAKE BODY	CUERPO TOMA PRESOSTATO	CORPS PRISE PRESSOSTAT
22	428672	PRESSURE TRANSMITTER HOSE	TUBO TRANSMISOR PRESION	TUYAU PRESSOSTAT
23	10047942	SECURING ANGLE BRACKET	ÁNGULO FIJACIÓN	ANGLE FIXATION
24	150649	SELF-LOCKING NUT DIN985-8 B.TRI.M10	TUER.AUTOB.DIN985-8 B.TRI.M10	ECROU AUTOBLOCANT DIN985-8 B.TRI.M10
25	150656	SELF-LOCKING NUT DIN985-8 B.TRI.M12	TUER.AUTOB.DIN985-8 B.TRI.M12	ECROU AUTOBLOCANT DIN985-8 B.TRI.M12
26	132043	SELF-LOCKING NUT DIN985-8 B.TRI.M 4	TUER.AUTOBL.DIN985-8 B.TRI.M 4	ECROU AUTOBLOCANT DIN985-8 B.TRI.M 4
27	176834	SELF-LOCKING NUT DIN985-8 B.TRI.M6	TUER.AUTOBL.DIN985-8 B.TRI.M6	ECROU AUTOBLOCANT DIN985-8 B.TRI.M6
28	164285	SELF-LOCKING NUT DIN985-8 B.TRI.M8	TUER.AUTOBL.DIN985-8 B.TRI.M8	ECROU AUTOBLOCANT DIN985-8 B.TRI.M8

N°	REF	DENOMINATION	DENOMINACIÓN	DENOMINATION
29	256149	SENSOR SHEATH LODGING	PASAMUROS SENSOR	LOGEMENT SENSEUR
30	338871	VAPOR OUTLET RACCORD	RACOR DESVAPORIZADOR	RACCORD SORTIE CONDENSATS
31	338863	VAPOR OUTLET SHEATH-LODGING	PASAMUROS DESVAPORIZADOR	LOGEMENT SORTIE CONDENSATS
32	149500	BICR.WASHER B DIN125-ST 10,5	ARAN.B DIN125-ST B.TRI.10,5	RONDELLE B DIN125-ST BICR.10,5
33	149476	BICR.WASHER B DIN125-ST 4,3	ARAN.B DIN125-ST B.TRI. 4,3	RONDELLE B DIN125-ST BICR.4,3
34	149526	BICR.WASHER B DIN125-ST 6,4	ARAN.B DIN125-ST B.TRI. 6,4	BICR.WASHER B DIN125-ST 6,4
35	149518	BICR.WASHER B DIN125-ST 8,4	ARAN.B DIN125-ST B.TRI. 8,4	RONDELLE.B DIN125-ST BICR.8,4
36	432872	WASHER 14X6.4X2	ARANDELA 14X6.4X2 INOX	RONDELLE 14X6.4X2



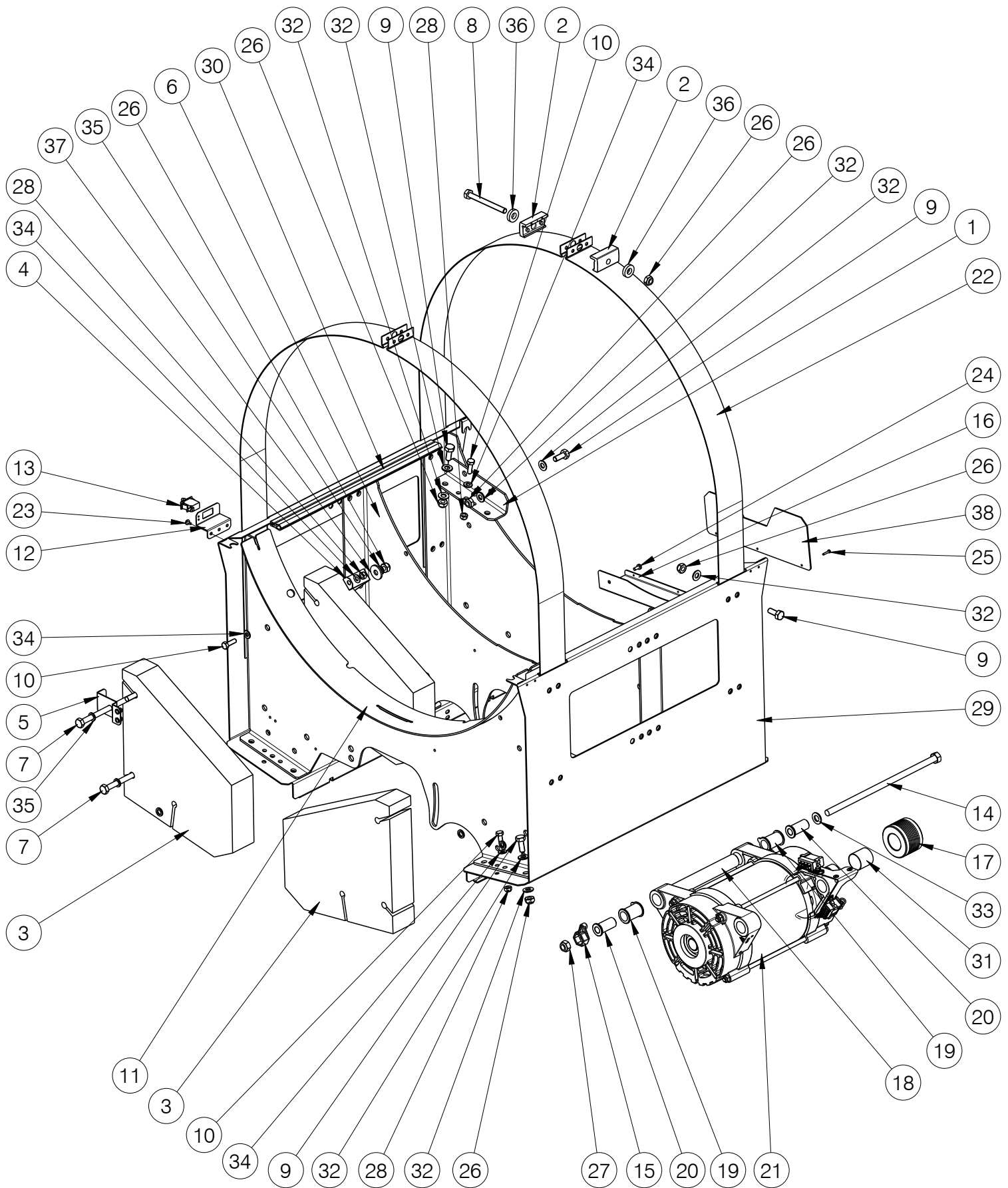


Nº	REF	DENOMINATION	DENOMINACIÓN	DENOMINATION
1	686320	ALLEN SCREW DIN 7984 8,8 M12x40 TRIVALEN	TORNILLO ALLEN DIN 7984 8,8 M12x40 TRIVA	VIS ALLEN DIN 7984 8,8 M12x40 TRIVALENT
2	146019	SCREW DIN 912 8.8 M3X5 TRIVALENT	TORNILLO DIN 912 8.8 M3X5 TRIVALENTE	VIS DIN 912 8.8 M3X5 TRIVALENT
3	144279	ALLEN SCREW DIN 912 M-5X15	TOR.ALDDIN912-8.8 B.TRI.M 5X15	VIS ALLEN DIN 912 M-5X15
4	302331	ALLEN SCREW DIN 912 8,8 M6x35 TRIVALENT	TORNILLO ALLEN DIN 912 8,8 M6x35 TRIVALE	VIS ALLEN DIN 912 8,8 M6x35 TRIVALENT
5	594374	BRACKET DOOR LOCK SET	SOPORTE CIERRE PUERTA	ENSEMBLE SUPPORT FERMATURE HUBLOT
6	591396	SLEEVE PERMAGL.D5,5XD4X10	CASQUILLO PERMAGL.D5,5XD4X10	FRETTE PERMAGL.D5,5XD4X10
7	300665	COIL SPRING (FOR COIL LOCK) (NORMALLY CLOSED)	MUELLE BOBINA (PARA CIERRE BOBINA) (NORMALMENTE CERRADO)	RESSORT BOBINE (POUR FERMETURE BOBINE) (NORMALEMENT FERME)
8	600197	DOOR ASSEMBLY	ESCOTILLA	ESCOTILLA
9	10256626	COMPLETE LOCKING BOX	CAJA CIERRE SEGURIDAD	BOITE FERMATURE COMPLETE
10	303131	COUNTERSUNK SCREW DIN 963 4,8 M3x20 TRIV	TORNILLO AVELLANADO DIN 963 4,8 M3x20 TR	VIS FRAISEE DIN 963 4,8 M3x20 TRIVALENT
11	147561	SCREW DIN963-4.8 M 3X 7	TOR.AV.DIN963-4.8 B.TRI.M 3X 7	VIS DIN963-4.8 BICR M 3X 7
12	199240	BICR.SCREW DIN963-4.8 M4X30 (FOR COIL LOCK) (NORMALLY CLOSED)	TOR.AV.DIN963-4.8 B.TRI M 4X30 (PARA CIERRE BOBINA) (NORMALMENTE CERRADO)	VIS T/FRAIS.DIN963-4 BIC.M4X30 (POUR FERMETURE BOBINE) (NORMALEMENT FERME)
13	10011898	COVER SEAL	JUNTA TAPA	JOINT PANNEAU
14	432039	DOOR BODY	CUERPO ESCOTILLA	CORPS HUBLOT
15	261156	DOOR BOLT	BULON ESCOTILLA	BOULON HUBLOT
16	563346	DOOR GASKET 65SHA	JUNTA ESCOTILLA 65SHA	JOINT HUBLOT 65SHA
	359828	DOOR GASKET 70SHA (SPARE PARTS ONLY)	JUNTA ESCOTILLA 70SHA (SOLO RECAMBIOS)	JOINT HUBLOT 70SHA (SEULEMENT PIECES DETACHEES)
17	10033074	DOOR HINGE	BISAGRA PUERTA	CHARNIÈRE PORTE
18	591412	SAFETY LOCK PIECE	PIEZA CIERRE SEGURIDAD	PIECE FERMETURE SECURITE
19	591487	SPYHOLE HOLDER	PORTA-MIRILLA	PORTE-VITRE
20	10435279	END-STOP SUPPORT PLATE	CHAPA SOPORTE TOPE	TOLE SUPPORT BUTEE
21	128827	SELFOIL SLEEVE B11B12-17-15/22	COJ. SELFOIL B11B12-17-15/22-3	FRETTE SELFOIL B11B12-17-15/22
22	587659	FRONT COVER	TAPA FRONTAL	PANNEAU FRONTAL
23	601641	HANDRAIL LOCK DOOR	PASAMANO CIERRE PUERTA	PASSEMAIN FERMETURE PORTE
24	150185	BICR.HEX.NUT DIN934-8 M4 (FOR COIL LOCK) (NORMALLY CLOSED)	TUER.EX.DIN934-8 B.TRI.M 4 (PARA CIERRE BOBINA) (NORMALMENTE CERRADO)	ECROU HEX.DIN934-8 BICR.M4 (POUR FERMETURE BOBINE) (NORMALEMENT FERME)

Nº	REF	DENOMINATION	DENOMINACIÓN	DENOMINATION
25	149906	INOX. HEX. NUT DIN 934 M-3	TUER.EX.DIN934 INOX A2-70 M 3	ECROU HEX. INOX DIN934 M-3
26	149922	INOX HEX. NUT DIN 934 M-4	TUER.EX.DIN934 INOX A2-70 M 4	ECROU HEX. INOX DIN 934 M-4
27	165621	BIC HEX SCREW DIN933-8,8 M6X10	TOR.EX.DIN933-8.8 B.TRI.M 6X10	VIS HEX DIN933-8,8 BICR M6X10
28	144832	INOX.HEX.SCREW DIN 933 M-4X10	TOR.EX.DIN933INOX A2-70 M 4X10	VIS HEX INOX. DIN 933 M-4X10
29	10227163	HINGE	BISAGRA	CHARNIERE
30	10227189	HINGE	BISAGRA	CHARNIERE
31	216408	GASKET	JUNTA D31XD20X2	JOINT
32	10256600	KNOB	EMPUÑADURA	POIGNEE
33	276477	KNOB BOLT	BULON EMPUÑADURA	BOULON POIGNEE
34	276519	KNOB ROLL	RODILLO EMPUÑADURA	ROULEAU POIGNEE
35	189993	KNOB STOPPER	TAPON EMPUÑADURA	BOUCHON POIGNEE
36	276527	LOCK END-PIECE	TOPE CIERRE	ARRET FERMETURE
37	283671	LOCK KNOB UNION (FOR THERMO-ACTUATOR LOCK) (NORMALLY OPEN)	UNION EMPUÑADURA CIERRE (PARA CIERRE TERMOACTUADOR) (NORMALMENTE ABIERTO)	UNION POIGNEE FERMETURE (POUR FERMETURE THERMO-ACTION) (NORMALEMENT OUVERT)
38	10053023	LOCK HANDLE JOINT (FOR COIL LOCK) (NORMALLY CLOSED)	UNION EMPUÑADURA CIERRE (PARA CIERRE BOBINA) (NORMALMENTE CERRADO)	UNION POIGNEE FERMETURE (POUR FERMETURE BOBINE) (NORMALEMENT FERME)
39	276485	LOCK SHAFT	EJE CIERRE	AXE FERMETURE
40	591172	MICROSWITCH BRACKET	SOPORTE MICRORRUPTOR	SUPPORT MICRORRUPTEUR
41	276501	MICROSWITCH DRIVE (FOR THERMO-ACTUATOR LOCK) (NORMALLY OPEN)	ACCIONADOR MICRORRUPTOR (PARA CIERRE TERMOACTUADOR) (NORMALMENTE ABIERTO)	ACTIONNEMENT MICRORRUPTEUR (POUR FERMETURE THERMO-ACTION) (NORMALEMENT OUVERT)
42	591404	MICROSWITCH DRIVE BOLT	PERNO ACCIONADOR MICRORRUPTOR	GOUJON ACTIONNEMENT MICRORRUP.
43	281113	MICROSWITCH ISOLATION	AISLANTE MICRORRUPTOR	ISOLANT MICRORRUPTEUR
44	10166296	PLUG GPN320GL25	TAPON GPN320GL25	BOUCHON GPN320GL25
45	197046	MINISWITCH 83161.344 I W3	MINIRRUPTOR 83161.344 I W3	MINIRRUPTEUR 83161.344 I W3
46	279760	MICROSWITCH	MINIRRUPTOR	MICRORRUPTEUR
47	10019552	PROTECTION COVER	TAPA PROTECCIÓN	PANNEAU PROTECTION
48	175224	RECTIFIER BRIDGE (FOR COIL LOCK) (NORMALLY CLOSED)	PUENTE RECTIFICADOR * (PARA CIERRE BOBINA) (NORMALMENTE CERRADO)	PONT RECTIFIEUR (POUR FERMETURE BOBINE) (NORMALEMENT FERME)

N°	REF	DENOMINATION	DENOMINACIÓN	DENOMINATION
49	300467	CYLINDER SEPARATOR SS10-4 CPVC (FOR COIL LOCK) (NORMALLY CLOSED)	SEPARADOR CILINDR.SS10-4 CPVC (PARA CIERRE BOBINA) (NORMALMENTE CERRADO)	SEPARATEUR CYLINDR.SS10-4 CPVC (POUR FERMETURE BOBINE) (NORMALEMENT FERME)
50	606236	SAFETY LOCK BRACKET	SOPORTE CIERRE SEGURIDAD	SUPPORT FERMETURE DE SECURITE
51	283697	SAFETY LOCK COIL (FOR COIL LOCK) (NORMALLY CLOSED)	BOBINA CIERRE SEGURIDAD (PARA CIERRE BOBINA) (NORMALMENTE CERRADO)	BOBINE FERMETURE SECURITE (POUR FERMETURE BOBINE) (NORMALEMENT FERME)
52	326116	SCREW 410TT85T 4X10 INOX	TORNILLO 410TT85T 4X10 INOX (ESPECIAL)	VIS 410TT85T 4X10 INOX
53	344085	SCREW 48TT85T 4X8 INOX	TORNILLO 48TT85T 4X8 INOX (ESPECIAL)	VIS 48TT85T 4X8 INOX
54	146043	BIC CYL SCREW DIN84-4,8 M3X16	TOR.CIL.DIN84-4.8 B.TRI.M 3X16	VIS CYL DIN84-4,8 BICR.M3X16
55	146027	BICR CYL SCREW DIN84-4 M 3X 7 (FOR THERMO-ACTUATOR LOCK) (NORMALLY OPEN)	TOR.CIL.DIN84-4.8 B.TRI.M 3X7 (PARA CIERRE TERMOACTUADOR) (NORMALMENTE ABIERTO)	VIS CYL BICR DIN84-4.8 M 3X 7 (POUR FERMETURE THERMO-ACTION) (NORMALEMENT OUVERT)
56	552406	SCREW RE.E.I.ISO7380 A2-70 M5X12	TOR.RE.E.I.ISO7380 A2-70 M5X12 TORX.	VIS RE.E.I.ISO7380 A2-70 M5X12
57	333294	SCREW T25 AR.18ESTR.M 6X15 INOX	TORNILLO ALOM.T25 M 6X15 INOX(ESPECIA	VIS T25 AR.18ESTR.M 6X15 INOX
58	176834	SELF-LOCKING NUT DIN985-8 B.TRI.M6	TUER.AUTOBL.DIN985-8 B.TRI.M6	ECROU AUTOBLOCANT DIN985-8 B.TRI.M6
59	272575	SLIDING BLOCKER (FOR THERMO-ACTUATOR LOCK) (NORMALLY OPEN)	BLOQUEADOR DESLIZANTE (PARA CIERRE TERMOACTUADOR) (NORMALMENTE ABIERTO)	BLOQUEUR COULISSANT (POUR FERMETURE THERMO-ACTION) (NORMALEMENT OUVERT)
60	10018471	SLIDING BLOCKER (FOR COIL LOCK) (NORMALLY CLOSED)	BLOQUEADOR DESLIZANTE (PARA CIERRE BOBINA) (NORMALMENTE CERRADO)	BLOC COULISSANT (POUR FERMETURE BOBINE) (NORMALEMENT FERME)
61	280891	SLIDING BLOCKING PIECE (FOR THERMO-ACTUATOR LOCK) (NORMALLY OPEN)	PIEZA BLOQUEADOR DESLIZANTE (PARA CIERRE TERMOACTUADOR) (NORMALMENTE ABIERTO)	PIECE BLOQUEUR COULISSANT (POUR FERMETURE THERMO-ACTION) (NORMALEMENT OUVERT)
62	278622	SLIDING BLOCKING SCREW (FOR THERMO-ACTUATOR LOCK) (NORMALLY OPEN)	TORNILLO BLOQUEADOR DESLIZANTE (PARA CIERRE TERMOACTUADOR) (NORMALMENTE ABIERTO)	VIS BLOQUEUR COULISSANT (POUR FERMETURE THERMO-ACTION) (NORMALEMENT OUVERT)
63	198069	SPRING (FOR THERMO-ACTUATOR LOCK) (NORMALLY OPEN)	MUELLE COMPENSADOR (PARA CIERRE TERMOACTUADOR) (NORMALMENTE ABIERTO)	RESSORT (POUR FERMETURE THERMO-ACTION) (NORMALEMENT OUVERT)
64	150698	FLEXIBLE PIN DIN1481 D3X10 (FOR COIL LOCK) (NORMALLY CLOSED)	PASADOR ELASTICO DIN1481 D3X10 (PARA CIERRE BOBINA) (NORMALMENTE CERRADO)	GOUJON ELASTIQUE DIN1481 D3X10 (POUR FERMETURE BOBINE) (NORMALEMENT FERME)
65	342907	WASHER D415X1,5 SPRING	ABRAZ.ALAMBRE D415X1,5 MUELLE	RONDELLE D415X1,5 RESSORT
66	333328	SPYHOLE	MIRILLA	VITRE

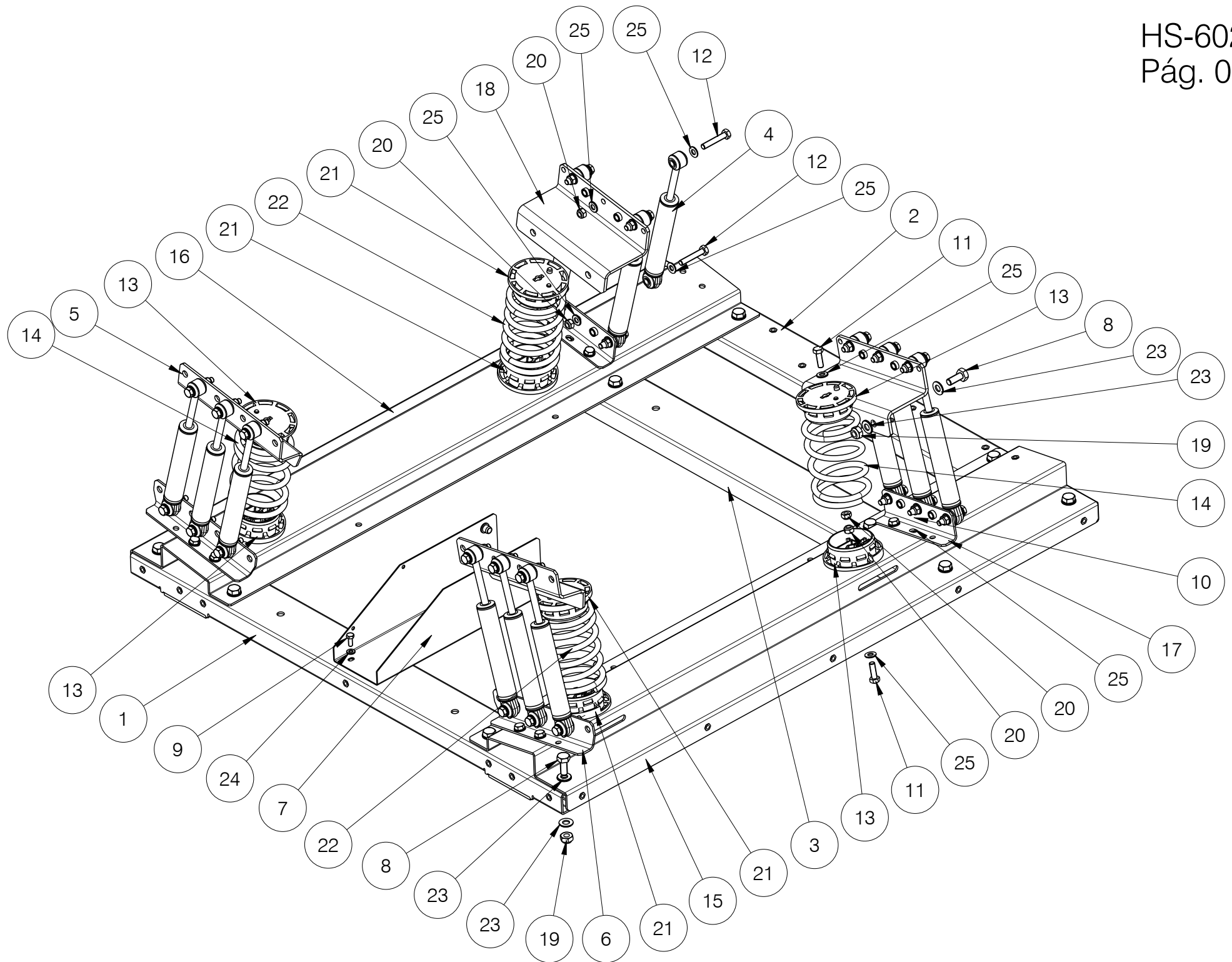
N°	REF	DENOMINATION	DENOMINACIÓN	DENOMINATION
67	10031359	THERMO-ACTUATOR BRACKET (FOR THERMO-ACTUATOR LOCK) (NORMALLY OPEN)	SOPORTE TERMOACTUADOR (PARA CIERRE TERMOACTUADOR) (NORMALMENTE ABIERTO)	SUPPORT THERMO-ACTIONNEMENT (POUR FERMETURE THERMO-ACTION) (NORMALEMENT OUVERT)
68	276535	THERMO-ACTUATOR ISOLATION (FOR THERMO-ACTUATOR LOCK) (NORMALLY OPEN)	AISLANTE TERMOACTUADOR (PARA CIERRE TERMOACTUADOR) (NORMALMENTE ABIERTO)	ISOLANT THERMO-ACTIONNEMENT (POUR FERMETURE THERMO-ACTION) (NORMALEMENT OUVERT)
69	196774	THERMO-ACTUATOR 100331 15 (FOR THERMO-ACTUATOR LOCK) (NORMALLY OPEN)	TERMOACTUADOR 100331.15 NTA 6* (PARA CIERRE TERMOACTUADOR) (NORMALMENTE ABIERTO)	THERMO-ACTIONNEMENT 100331 15 (POUR FERMETURE THERMO-ACTION) (NORMALEMENT OUVERT)
70	149500	BICR.WASHER B DIN125-ST 10,5 (FOR COIL LOCK) (NORMALLY CLOSED)	ARAN.B DIN125-ST B.TRI.10,5 (PARA CIERRE BOBINA) (NORMALMENTE CERRADO)	RONDELLE B DIN125-ST BICR.10,5 (POUR FERMETURE BOBINE) (NORMALEMENT FERME)
71	149484	WASHER DIN 125B M3 ST TRIVALENT	ARANDELA DIN 125B M3 ST TRIVALENTE	RONDELLE DIN 125B M3 ST TRIVALENT
72	149328	INOX A2 WASHER DIN 125 4,3	ARAN. DIN125 INOX A2 4,3	RONDELLE INOX A2 DIN 125 4,3
73	149476	BICR.WASHER B DIN125-ST 4,3 (FOR COIL LOCK) (NORMALLY CLOSED)	ARAN.B DIN125-ST B.TRI. 4,3 (PARA CIERRE BOBINA) (NORMALMENTE CERRADO)	RONDELLE B DIN125-ST BICR.4,3 (POUR FERMETURE BOBINE) (NORMALEMENT FERME)
74	149526	BICR.WASHER B DIN125-ST 6,4	ARAN.B DIN125-ST B.TRI. 6,4	BICR.WASHER B DIN125-ST 6,4
75	342576	NORD-LOCK WASHER NL12 D.PROT.*	ARAN.NORD-LOCK NL12 D.PROT.*	RONDELLE NORD-LOCK NL12 D.PROT.*
76	219758	INOX WASHER 12X4X1,5	ARANDELA 12X4X1.5 INOX	RONDELLE 12X4X1,5 INOX
77	115733	WASHER 16X7X3	ARANDELA 16X7X3 TRIVALEN.	RONDELLE 16X7X3
78	115758	WASHER 20X7X2	ARANDELA 20X7X2 INOX	RONDELLE 20X7X2
		WITHOUT ILLUSTRATION	SIN ILUSTRACION	SANS ILLUSTRATION
	431171	JOINT ADJUSTING RING	ARO AJUSTE JUNTA	BAGUE REGLAGE JOINT



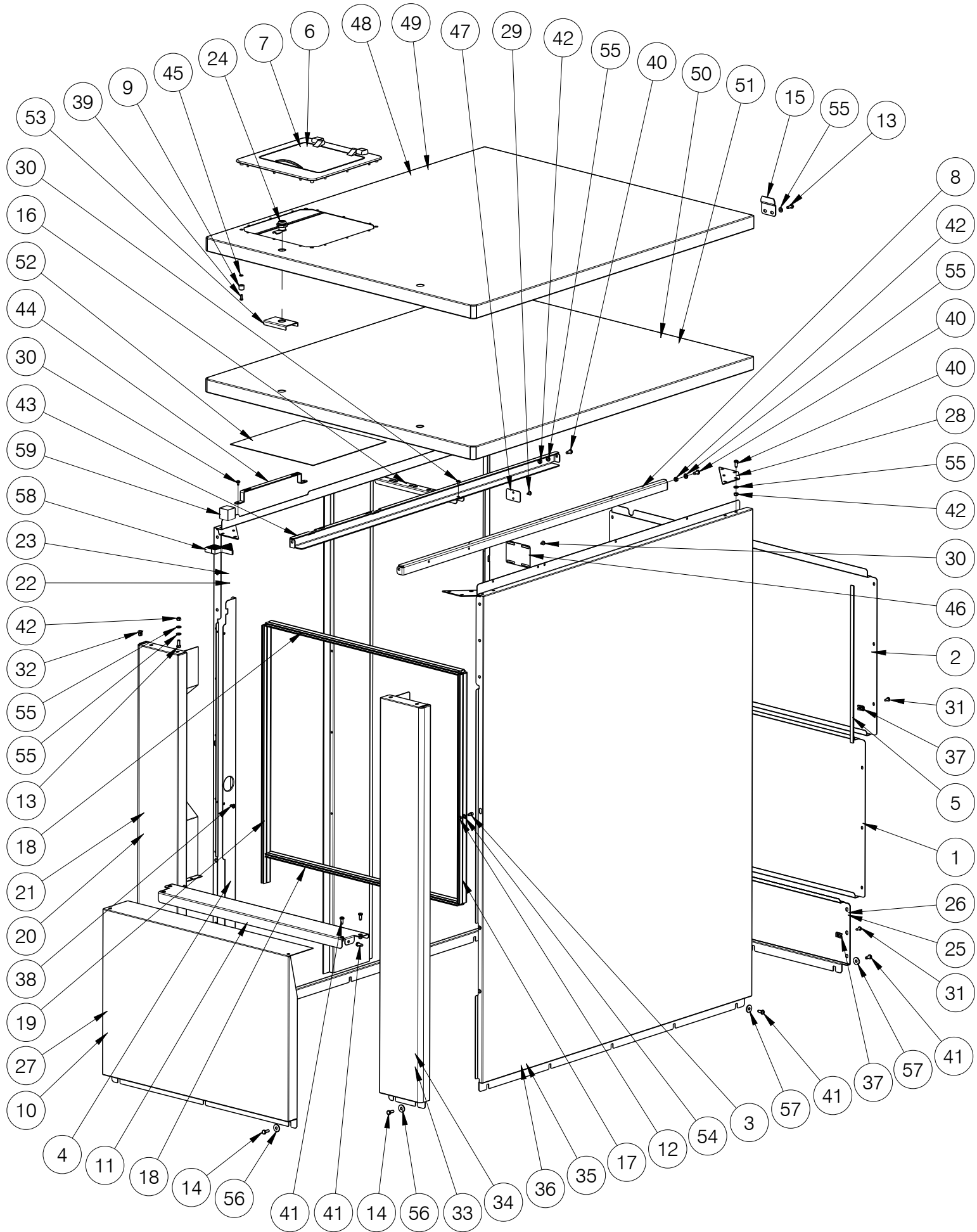
N°	REF	DENOMINATION	DENOMINACIÓN	DENOMINATION
1	595017	REAR SPRING POSITION	POSICIONADOR MUELLE POSTERIOR	POSITION RESSORT ARRIERE
2	10030401	CLAMP TENSIONER	TENSOR ABRAZADERA	TENDEUR COLLIER
3	594663	COUNTERWEIGHT	CONTRAPESO	CONTREPOID
4	423350	PLATE CONTERWEIGHT JOINTING	UNION CONTRAPESO PLACA	UNION CONTREPOIDS PLAQUE
5	10089860	FIXING PLATE	CHAPA FIJACION	PLAT FIXATION
6	10241784	FRAME PLATE	PLACA CHASIS	PLAQUE CHASSIS
7	305672	BICR HEX SCREW DIN931 M10X160	TOR.EX.DIN931-8.8B.TRI.M10X160	VIS HEX DIN931-8.BICR.M10X160
8	146563	BICR HEX SCREW DIN933 M-10X100	TOR.EX.DIN933-88 B.TRI.M10X100	VIS HEX DIN-933-8.8 BI.M10X100
9	147009	HEX SCREW 8G DIN 933 M-10X25	TOR.EX.DIN933-8.8 B.TRI.M10X25	VIS HEX. DIN 933 M-10X25 8G
10	192849	BIC.HEX SCREW DIN933-8 M-8X25	TOR.EX.DIN933-8.8 B.TRI.M 8X25	VIS HEX.DIN933-8,8 BICR.M-8X25
11	10137537	JACKET HALF RING	SEMIARO ENVOLVENTE	DEMI-ANNEAU ENVELOPPE
12	10029809	MICROSWITCH BRACKET	SOPORTE MICRORRUPTOR	SUPPORT MICRORRUPTEUR
13	323048	MINISWITCH CHERRY E69-60C	MINIRRUPTOR CHERRY E69-60C	MINIRRUPTEUR CHERRY E69-60C
14	588566	MOTOR BASE SCREW	TORNILLO BASE MOTOR	VIS BASE MOTEUR
15	338095	MOTOR NUT BRACKET	SOPORTE TUERCA MOTOR	SUPPORT ECROU MOTEUR
16	431163	MOTOR PROTECTION	PROTECCION MOTOR	PROTECTION MOTEUR
17	586081	MOTOR PULLEY MT103-190/4-H	POLEA MOTOR MT103-190/4-H	PUOLIE MOTEUR MT103-190/4-H
18	595165	MOTOR SEPARATOR	SEPARADOR MOTOR	SEPARATEUR MOTEUR
19	432203	MOTOR SILENTBLOCK	SILENTBLOC MOTOR	SILENTBLOCK MOTEUR
20	423103	MOTOR SLEEVE	CASQUILLO MOTOR	FRETTE MOTEUR
21	585174	MOTOR MT 103-190/4-H	MOTOR MT 103-190/4-H	MOTEUR MT 103-190/4-H
	525790	BEARING 6305-2Z/C3 (OPPOSITE END PULLEY)	RODAMIENTO 6305-2Z/C3 (EXTREMO OPUESTO POLEA)	ROULEMENT 6305-2Z/C3 (FINAL OPPOSE POULIE)
	10262061	BEARING 6307-2Z/C3 (END PULLEY)	RODAMIENTO 6307-2Z C3 GRASA WT (EXTREMO POLEA)	ROULEMENT 6307-2Z/C3 (FINAL POULIE)
22	588384	OUTER-DRUM CLAMP	ABRAZADERA ENVOLVENTE	BRIDE CUVE
23	183400	PLATE SCREW ST-4, 20 P.F. C/AL.T25	TORNILLO CHAPA ST-4 (ESPECIAL)*	VIS PLAQUE ST-4, 20 P.F. C/AL.T25
24	343434	SCREW 512TTAET M5X12	TORNILLO 512TTAET M5X12 (ESPECIAL)	VIS 512TTAET M5X12
25	332627	SCREW REF. TT85 T M3 X16	TOR. REF. TT85 T M3 X16	VIS REF.TT85 T M3 X16

N°	REF	DENOMINATION	DENOMINACIÓN	DENOMINATION
26	150649	SELF-LOCKING NUT DIN985-8 B.TRI.M10	TUER.AUTOB.DIN985-8 B.TRI.M10	ECROU AUTOBLOCANT DIN985-8 B.TRI.M10
27	150656	SELF-LOCKING NUT DIN985-8 B.TRI.M12	TUER.AUTOB.DIN985-8 B.TRI.M12	ECROU AUTOBLOCANT DIN985-8 B.TRI.M12
28	164285	SELF-LOCKING NUT DIN985-8 B.TRI.M8	TUER.AUTOBL.DIN985-8 B.TRI.M8	ECROU AUTOBLOCANT DIN985-8 B.TRI.M8
29	10242816	SIDE FRAME	LATERAL CHASIS	CHASSIS SIDE
30	10220945	SUPPLEMENT BASKET PROFILE	PERFIL SUPLEMENTO CESTA	-
31	585562	STAR TOLER.RING 0820-035-09	ANILLO TOLER.STAR 0820-035-09	BAGUE TOLER.STAR 0820-035-09
32	149500	BICR.WASHER B DIN125-ST 10,5	ARAN.B DIN125-ST B.TRI.10,5	RONDELLE B DIN125-ST BICR.10,5
33	149419	BICR.WASHER B DIN125-ST 13	ARAN.B DIN125-ST B.TRI.13	RONDELLE B DIN125-ST BICR.13
34	149518	BICR.WASHER B DIN125-ST 8,4	ARAN.B DIN125-ST B.TRI. 8,4	RONDELLE.B DIN125-ST BICR.8,4
35	10191419	WASHER NORD-LOCK NL10 DELTA PROTECK	ARANDELA NORD-LOCK NL10 D. PROT.*	RONDELLE NORD-LOCK NL10 DELTA PROTECK
36	278861	WASHER 26X12,5X6	ARANDELA 26X12.5X6 TRIVALEN.	RONDELLE 26X12,5X6
37	115428	WASHER 30X10,5X3	ARANDELA 30X10,5X3 TRIVALEN.	RONDELLE 30X10,5X3
38	432674	WIRE PROTECTION	PROTECCION CABLES	PROTECTION CABLES





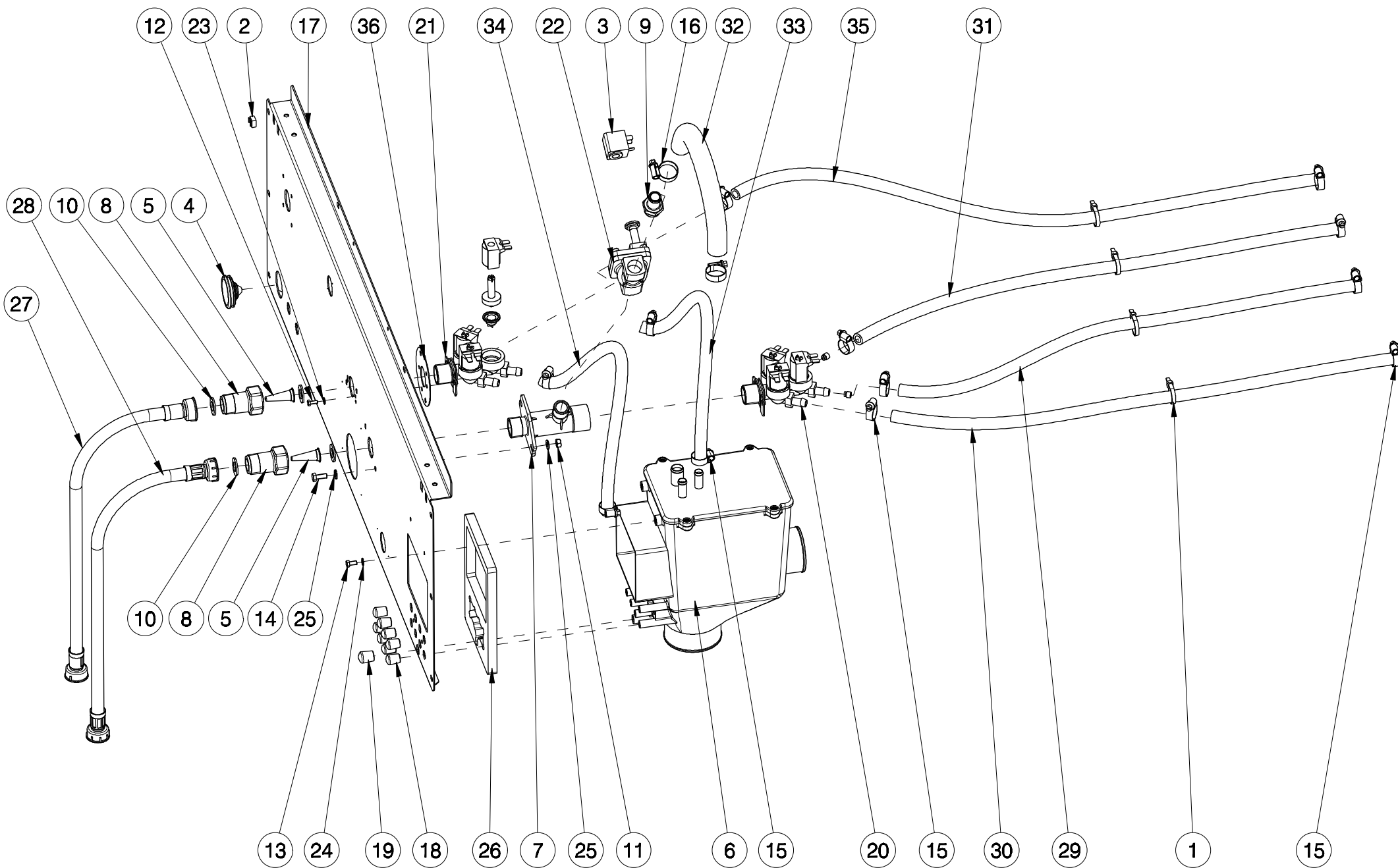
N°	REF	DENOMINATION	DENOMINACIÓN	DENOMINATION
1	10037158	TRANSVERSAL PROFILE FRAME	PERFIL TRANSVERSAL BASE	PROFIL CROSS BASE
2	10039121	TRANSVERSAL PROFILE FRAME	PERFIL TRANSVERSAL BASE	PROFIL CROSS BASE
3	10065175	BASE PROFILE	PERFIL BASE	PROFIL BASE
4	333476	SHOCK-ABSORBER SUSPA RD10 120N	AMORTIGUADOR SUSPA RD10 120N	AMORTISSEUR SUSPA RD10 120N
5	10009272	SHOCK ABSORBER SUPPORT	PLATINA AMORTIGUADORES	-
6	10452498	LEFT FRONT SHOCK ABSORBER SUPPORT	SOPORTE AMORTIGUADOR DEL. IZQUIERDO	-
7	594754	DRAIN SUPPORT	SOPORTE DESAGÜE	VIDANGE SUPPORT
8	147009	HEX SCREW 8G DIN 933 M-10X25	TOR.EX.DIN933-8.8 B.TRI.M10X25	VIS HEX. DIN 933 M-10X25 8G
9	146233	BICR.HEX SCREW DIN933-8 M6X15	TOR.EX.DIN933-8.8 B.TRI.M 6X15	VIS HEX DIN933-8.8 BICR.M6X15
10	146399	BICR HEX SCREW DIN933-8 M8X20	TOR.EX.DIN933-8.8 B.TRI.M 8X20	VIS HEX DIN933-8.8 BICR.M8X20
11	192849	BIC.HEX SCREW DIN933-8 M-8X25	TOR.EX.DIN933-8.8 B.TRI.M 8X25	VIS HEX.DIN933-8,8 BICR.M-8X25
12	191726	HEX SCREW 8G DIN933 M 8X 45	TOR.EX.DIN933-8.8 B.TRI.M 8X45	VIS HEX.8G DIN933 M 8X 45
13	10231421	LEVOROTATION SPRING SUPPORT	SOPORTE MUELLE LEVOGIRO	SUPPORT RESSORT LEVOGYRE
14	10233989	LEVOROTATION SPRING SUSPENSION	MUELLE SUSPENSION LEVOGIRO	RESSORT SUSPENSION LEVOGYRE
15	10300879	LONGITUDINAL PROFILE FRAME	PERFIL LONGITUDINAL BASE	BASE PROFIL LONGITUDINAL
16	10301331	LONGITUDINAL PROFILE FRAME	PERFIL LONGITUDINAL BASE	BASE PROFIL LONGITUDINAL
17	10000677	RIGHT BACK SHOCK ABSORBER SUPPORT	PLETINA AMORTIGUADOR POST. DERECHA	PLAQUE CHOC ARRIERE DROIT
18	10555571	DAMPER PLATE	PLETINA AMORTIGUADOR POST. IZQDA.	PLATINE AMORTISSEUR
19	150649	SELF-LOCKING NUT DIN985-8 B.TRI.M10	TUER.AUTOB.DIN985-8 B.TRI.M10	ECROU AUTOBLOCANT DIN985-8 B.TRI.M10
20	164285	SELF-LOCKING NUT DIN985-8 B.TRI.M8	TUER.AUTOBL.DIN985-8 B.TRI.M8	ECROU AUTOBLOCANT DIN985-8 B.TRI.M8
21	594648	SPRING SUPPORT	SOPORTE MUELLE	RESSORT SUPPORT
22	595355	SUSPENSION SPRING	MUELLE SUSPENSION	RESSORT SUSPENSION
23	149500	BICR.WASHER B DIN125-ST 10,5	ARAN.B DIN125-ST B.TRI.10,5	RONDELLE B DIN125-ST BICR.10,5
24	149526	BICR.WASHER B DIN125-ST 6,4	ARAN.B DIN125-ST B.TRI. 6,4	BICR.WASHER B DIN125-ST 6,4
25	149518	BICR.WASHER B DIN125-ST 8,4	ARAN.B DIN125-ST B.TRI. 8,4	RONDELLE.B DIN125-ST BICR.8,4



N°	REF	DENOMINATION	DENOMINACIÓN	DENOMINATION
1	10173342	REAR COVER	TAPA POSTERIOR	PANNEAU ARRIÈRE
2	10173334	REAR COVER	TAPA POSTERIOR	PANNEAU ARRIÈRE
3	144261	ALLEN SCREW DIN 912 M-5X10	TOR.ALLDIN912-8.8 B.TRI.M 5X10	VIS ALLEN DIN 912 M-5X10
4	10546505	CABLE PROTECTION	PROTECCIÓN CABLE	CAPOT CÂBLE
5	10186542	CELL FOAM 1 SIDE ADHESIVE EPDM 3X10MM	ESPUMA CELULAR ADHESIVA 1 CARA EPDM 4X9	MOUSSE CELLULAIRE ADHESIVE 1 FACE EPDM 3
6	517136	UPPER SOAP DISPENSER LID CC-USA (EH060)	TAPA DOSIFICADOR SUP.CC-USA (EH060)	COUVERCLE BAC A PRODUITS SUP. CC-USA (EH060)
7	517508	UPPER SOAP DISPENSER LID (HS-6024)	TAPA DOSIFICADOR SUP. (HS-6024)	COUVERCLE BAC A PRODUITS SUP. (HS-6024)
8	598029	ELECTRIC BOX HOLDING PROFILE	PERFIL ANCLAJE CAJA ELECTRICA	PROFIL SUPPORT COFFRET ELECTRIQUE
9	444398	FRAME FIXATION SLEEVE	CASQUILLO FIJACION MARCO	FRETTE FIXATION CADRE
10	10009637	LOWER FRONT COVER (INOX)	TAPA FRONTAL INFERIOR (INOX)	COUVERCLE FRONT BAS (INOX)
11	10009264	FRONT COVER UNDERSIDE SUPPORT	SOPORTE TAPA FRONTAL INFERIOR	SUPPORT COUVERTURE FRONTAL INFERIEUR
12	150177	BICR HEX NUT DIN934-8 M5	TUER.EX.DIN934-8 B.TRI.M 5	ECROU HEX DIN934-8 BIC.M5
13	146233	BICR.HEX SCREW DIN933-8 M6X15	TOR.EX.DIN933-8.8 B.TRI.M 6X15	VIS HEX DIN933-8.8 BICR.M6X15
14	144881	INOX HEX SCREW DIN933 M 6X16	TOR.EX.DIN933INOX A2-70 M 6X16	VIS HEX INOX DIN933 M 6X16
15	606954	TOP COVER HINGE	BISAGRA TAPA SUPERIOR	CHARNIERE COUVERCLE SUPERIEUR
16	423327	HOSE FIXING PROFILE	PERFIL FIJACION TUBOS	PROFILE FIXATION TUBES
17	597807	SIDE-PANEL PROFILE L=760	PERFIL LATERAL L=760	PROFILE LATERAL L=760
18	10021681	LATERAL PROFILE L=695	PERFIL LATERAL L=695	PROFILE LATERAL L=695
19	597799	SIDE-PANEL PROFILE L=730	PERFIL LATERAL L=730	PROFILE LATERAL L=730
20	10006120	LEFT FRONT COVER (INOX)	TAPA FRONTAL IZQUIERDA (INOX)	COUVERCLE FRONT GAUCHE (INOX)
21	10007821	LEFT FRONT COVER (PRE-COATED)	TAPA FRONTAL IZQUIERDA (PRE-COATED)	COUVERCLE FRONT GAUCHE (PRE-COATED)
22	10012789	LEFT SIDE COVER (INOX)	TAPA LATERAL IZQUIERDA (INOX)	COUVERCLE LATERAL GAUCHE (INOX)
23	10012805	LEFT SIDE COVER (PRE-COATED)	TAPA LATERAL IZQUIERDA (PRE-COATED)	COUVERCLE LATERAL GAUCHE (PRE-COATED)
24	196915	LOCK RE.20.00.02.05	CERRADURA REF.20.00.02.05 *	FERMETURE REF.20.00.02.05
25	10025054	LOWER REAR COVER	TAPA POSTERIOR INFERIOR	COUVERCLE ARRIERE INFERIEUR

N°	REF	DENOMINATION	DENOMINACIÓN	DENOMINATION
		(2 DRAINS)	(2 DESAGÜES)	(2 VIDANGES)
26	10441087	LOWER BACK COVER	TAPA POSTERIOR INFERIOR	COUVERCLE ARRIÈRE BASSE
27	10000131	LOWER FRONT COVER (PRE-COATED)	TAPA FRONTAL INFERIOR (PRE-COATED)	COUVERCLE FRONT BAS (PRE-COATED)
28	406298	PANEL FIXING RENFORT	REFUERZO FIJACION TAPAS	REFORT FIXATION COUVERCLES
29	183400	PLATE SCREW ST-4, 20 P.F. C/AL.T25	TORNILLO CHAPA ST-4 (ESPECIAL)*	VIS PLAQUE ST-4, 20 P.F. C/AL.T25
30	183400	PLATE SCREW ST-4, 20 P.F. C/AL.T25	TORNILLO CHAPA ST-4 (ESPECIAL)*	VIS PLAQUE ST-4, 20 P.F. C/AL.T25
31	149153	PLATE SCREW ST-4, 80 P.C. A/AL.T25	TORNILLO CHAPA ST-4 (ESPECIAL)*	VIS PLAQUE ST-4, 80 P.C. A/AL.T25
32	323717	END PIECE	CANTONERA	ARRET
33	10006617	RIGHT FRONT COVER (INOX)	TAPA FRONTAL DERECHA (INOX)	COUVERCLE FRONT DROIT (INOX)
34	10008126	RIGHT FRONT COVER (PRE-COATED)	TAPA FRONTAL DERECHA (PRE-COATED)	COUVERCLE FRONT DROIT (PRE-COATED)
35	10012821	RIGHT SIDE COVER (INOX)	TAPA LATERAL DERECHA (INOX)	COUVERCLE LATERAL DROIT (INOX)
36	10012839	RIGHT SIDE COVER (PRE-COATED)	TAPA LATERAL DERECHA (PRE-COATED)	COUVERCLE LATERAL DROIT (PRE-COATED)
37	135228	NUT NUL 506-2A REF. 213048-1	TUERCA SEG.NUL 506-2B 213048-1	ECROU NUL 506-2A REF. 213048-1
38	322750	SCREW FDS SF-M5X12 PKS TORX SPER	TORNILLO FDS SF-M5X12 (ESPECIAL)*	VIS FDS SF-M5X12 PKS TORX SPER
39	326660	SCREW 412RFX87T INOXA2 4X12	TORNILLO 412RFX87T INOXA2 4X12(ESPECIAL)	VIS 412RFX87T INOXA2 4X12
40	333625	SCREW T25 A18EST.M6X15 TRI.	TOR.ALOM.T25 A18EST.M6X15 TRI.(ESPECIAL)	VIS T25 A18EST.M6X15 TRI.
41	333294	SCREW T25 AR.18ESTR.M 6X15 INOX	TORNILLO ALOM.T25 M 6X15 INOX(ESPECIA	VIS T25 AR.18ESTR.M 6X15 INOX
42	176834	SELF-LOCKING NUT DIN985-8 B.TRI.M6	TUER.AUTOBL.DIN985-8 B.TRI.M6	ECROU AUTOBLOCANT DIN985-8 B.TRI.M6
43	597823	SOAP DISP.HOLDING-DOWN PROFILE	PERFIL ANCLAJE DOSIFICADOR	PROFILE SCELLEMENT BAC A PROD.
44	431742	SOAP DISPENSER BRACKET	SOPORTE DOSIFICADOR	SUPPORT BAC A PRODUITS
45	193540	MIKALOR QUICK FIXING 211038-8	SUJEC.RAPIDA MIKALOR 211038-8	FIXATION RAPIDE MIKALOR 211038-8
46	608034	STEAM INLET PROTECTION	PROTECCION ENTRADA VAPOR	PROTECTION ENTREE VAPEUR
47	607580	STEAM PROTECTION PLATE	CHAPA PROTECCION VAPOR	PLAQUE PROTECTION VAPEUR
48	596163	UPPER COVER (PRE-COATED)	TAPA SUPERIOR (PRE-COATED)	COUVERCLE SUPERIEUR (PRE-COATED)
49	596171	UPPER COVER (INOX)	TAPA SUPERIOR (INOX)	COUVERCLE SUPERIEUR (INOX)

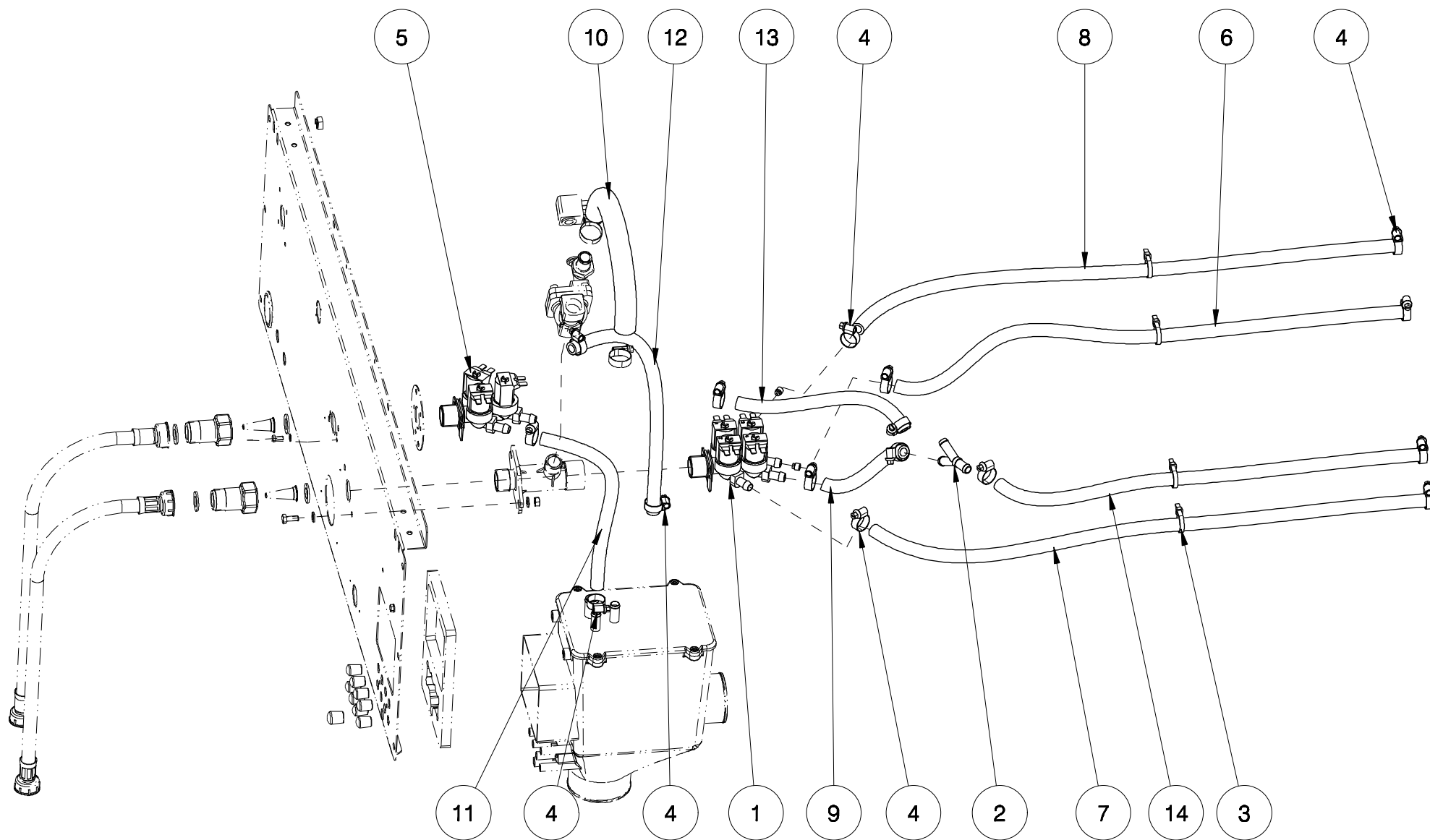
N°	REF	DENOMINATION	DENOMINACIÓN	DENOMINATION
50	596189	UPPER COVER (WITHOUT SOAP DISPENSER) (PRE-COATED)	TAPA SUPERIOR (SIN DOSIFICADOR) (PRE-COATED)	COUVERCLE SUPERIEUR (NAS BAC A PRODUITS) (PRE-COATED)
51	596197	UPPER COVER (WITHOUT SOAP DISPENSER) (INOX)	TAPA SUPERIOR (SIN DOSIFICADOR) (INOX)	COUVERCLE SUPERIEUR (NAS BAC A PRODUITS) (INOX)
52	590539	TOP COVER BLIND PROTECTOR (WITHOUT SOAP DISPENSER)	PROTECTOR TAPA SUPERIOR CIEGA* (SIN DOSIFICADOR)	AVEUGLE SUPERIEUR PROTECTEUR COUVERCLE (NAS BAC A PRODUITS)
53	242115	UPPER COVER RENFORT	REFUERZO TAPA SUPERIOR	REFORT COUVERCLE SUPERIEUR
54	149534	BICR.WASHER B DIN125-ST 5,3	ARAN.B DIN125-ST BICR. 5,3	RONDELLE B BICR.DIN125-ST 5,3
55	149526	BICR.WASHER B DIN125-ST 6,4	ARAN.B DIN125-ST B.TRI. 6,4	BICR.WASHER B DIN125-ST 6,4
56	115758	WASHER 20X7X2	ARANDELA 20X7X2 INOX	RONDELLE 20X7X2
57	153205	WASHER 20X7X2	ARANDELA 20X7X2 TRIVALEN.	RONDELLE 20X7X2
58	10011740	WATER DEFLECTOR	DEFLECTOR AGUA	DÉFLECTEUR EAU
59	10068203	WATER DEFLECTOR	DEFLECTOR AGUA	DÉFLECTEUR EAU



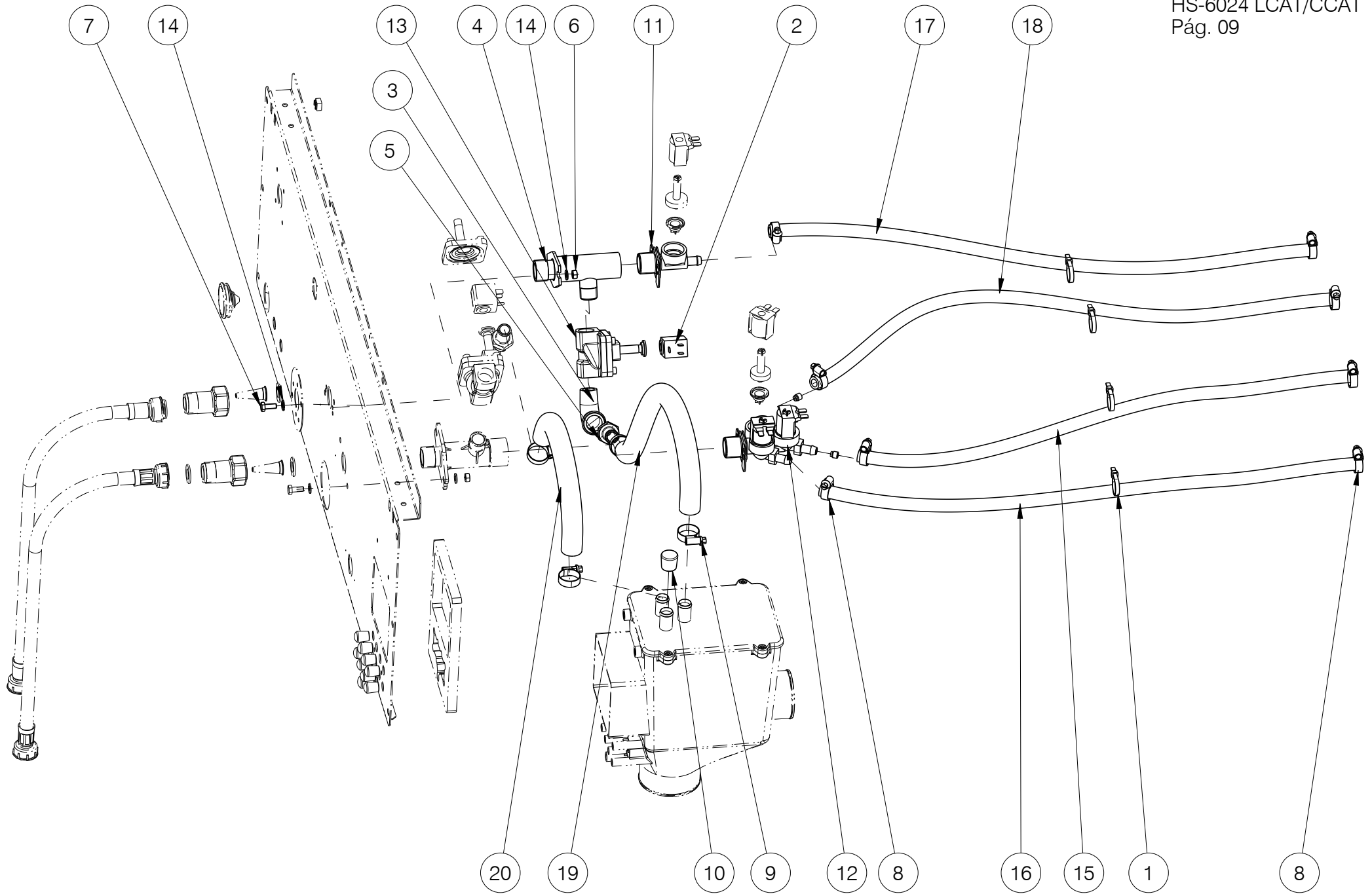
N°	REF	DENOMINATION	DENOMINACIÓN	DENOMINATION
1	140525	CLAMP 2244-0	BRIDA UNEX 2244-0 *	BRIDE 2244-0
2	165019	CAGED NUT M-6 0,5-1,5 R.310007-9	TUER.ENJ.M6 0,5-1,5 R.310007-9	*ECROU PRESIONER M-6 0,5-1,5 R.310007-9
3	333716	COIL AB 5W 12V CC 042N0806	BOBINA AB 5W 12V CC 042N0806	BOBINE AB 5W 12V CC 042N0806
4	139683	CONE ECPC-6	CONO HIMEL ECPC-6	CONE ECPC-6
5	315614	CONICAL FILTER REF.4008-2-1	FILTRO CONICO REF.4008-2-1	FILTRE CONIQUE REF.4008-2-1
6	339689	DISTRIBUTOR	DISTRIBUIDOR	DISTRIBUTEUR
7	333682	ELECTROVALVE BRACKET	SOPORTE ELECTROVALVULAS	SUPPORT ELECTROVANNES
8	315317	FILTER BODY	CUERPO FILTRO	CORPS FILTRE
9	333690	FIG. 243 MI 1/2" BRASS	FIGURA 243 MI DE 1/2" LATON	FIG. 243 MI 1/2" LAITON
10	114348	GASKET D24XD13,5X2	JUNTA MIFLEX D24X13, 5X2 EPDM WRC 400105	JOINT D24XD13,5X2
11	150227	BICR HEX NUT DIN934-8 M6	TUER.EX.DIN934-8 B.TRI.M 6	ECROU HEX DIN934-8 BICR.M6
12	146258	BIC.HEX SCREW DIN933-4.8 M4X10	TOR.EX.DIN933-4.8 B.TRI.M 4X10	VIS HEX DIN933-4.8 BICR.M 4X10
13	146274	BICR.HEX SCREW DIN933-8 M-5X10	TOR.EX.DIN933-8.8 B.TRI.M 5X10	VIS HEX.BICR.DIN933-8.8 M-5X10
14	146233	BICR.HEX SCREW DIN933-8 M6X15	TOR.EX.DIN933-8.8 B.TRI.M 6X15	VIS HEX DIN933-8.8 BICR.M6X15
15	155150	HOSE CLIP ASFA-L W2 8-16	ABRAZADERA ASFA-L W2 8-16	COLLIER ASFA-L W2 8-16
16	156109	CLAMP 16-27	ABRAZADERA 16- 27 *	BRIDE 16-27
17	597989	REAR PANEL	PANEL POSTERIOR	PANNEAU ARRIERE
18	156679	CONICAL END-PIECE R-16 D10	TOPE CONICO REPRIMSA R-16 D10	BOUCHON CONIQUE R-16 D10
19	357624	CONICAL END-PECE R-16 D12	TOPE CONICO REPRIMSA R-16 D12	BOUCHON CONIQUE R-16 D12
20	511139	THREE TRACK ELECTROVALVE	ELECTROVALVULA TRES VIAS	ELECTROVANNE TROIS VOIES
	156265	REGULATOR 3 L/MIN (BLACK)	REGULADOR DE 3 L/MIN. (NEGRO)	REGULATEUR 3 L/MIN (NOIR)
	510933	REGULATOR 4 L/MIN.RED	REGULADOR DE 4L/MIN.ROJO CLARO	REGULATEUR 4 L/MIN ROUGE
	300194	YELLOW CASE 30053	ESTUCHE AMARILLO 30053	BOITE JAUNE 30053
	300202	INTEGRAL GUIDE-MEMBRANE 30696	MEMBRANA-GUIA INTEGRAL 30696 *	MEMBRANE-GUIDE INTEGRALE 30696
	332296	COIL 255043000000 12VCC	BOBINA 255043000000 12VCC	BOBINE 255043000000 12VCC
21	333674	TRIPLE ELECTROVALVE 369 180°	ELECTROV.TRIPLE 369 180°12VCC*	ELECTROVANNE TRIPLE 369 180°
	300194	YELLOW CASE 30053	ESTUCHE AMARILLO 30053	BOITE JAUNE 30053
	300202	INTEGRAL GUIDE-MEMBRANE 30696	MEMBRANA-GUIA INTEGRAL 30696 *	MEMBRANE-GUIDE INTEGRALE 30696



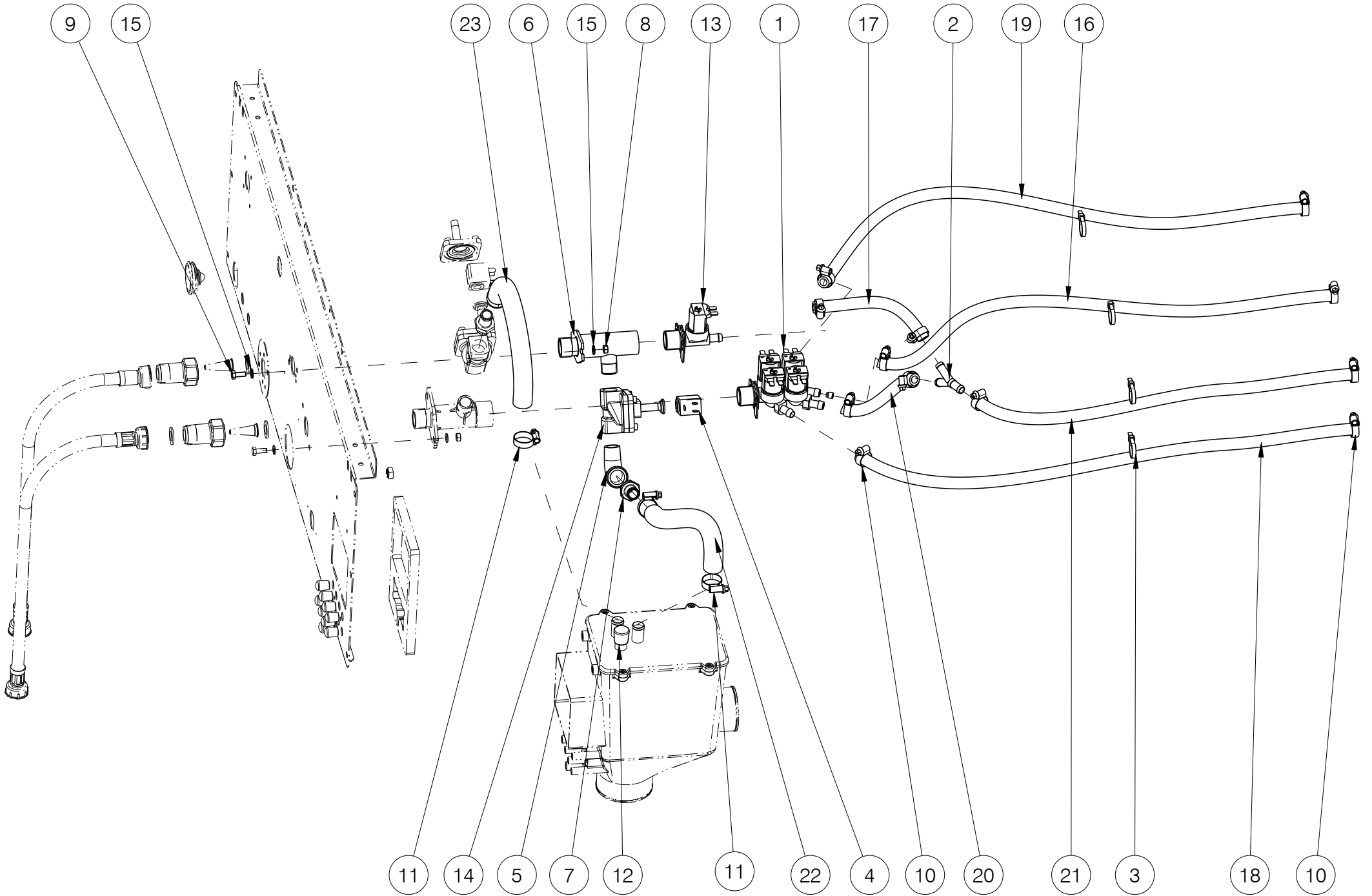
N°	REF	DENOMINATION	DENOMINACIÓN	DENOMINATION
	332296	COIL 255043000000 12VCC	BOBINA 255043000000 12VCC	BOBINE 255043000000 12VCC
22	333708	VALVE EV220A G12 042U4022	CUERPO VAL.EV220A G12 042U4022	VANNE EV220A G12 042U4022
23	149476	BICR.WASHER B DIN125-ST 4,3	ARAN.B DIN125-ST B.TRI. 4,3	RONDELLE B DIN125-ST BICR.4,3
24	149534	BICR.WASHER B DIN125-ST 5,3	ARAN.B DIN125-ST BICR. 5,3	RONDELLE B BICR.DIN125-ST 5,3
25	149526	BICR.WASHER B DIN125-ST 6,4	ARAN.B DIN125-ST B.TRI. 6,4	BICR.WASHER B DIN125-ST 6,4
26	10003960	WATER DEFLECTOR	DEFLECTOR AGUA	DÉFLECTEUR EAU
27	326587	WATER INLET AC DI12,5 L1,5M	TUBO ENTRADA AC DI12,5 L1,5M *	FLEXIBLE ENTRÉE AC DI12,5 L1,5
28	326579	WATER INLET AF DI12,5 L1,5M	TUBO ENTRADA AF DI12,5 L1,5M *	FLEXIBLE ENTRÉE AF DI12,5 L,5M
29	116632	WATER INLET HOSE	TUBO ENTRADA AGUA	TUBE ENTREE EAU
30	411132	WATER INLET HOSE	TUBO ENTRADA AGUA	TUBE ENTREE EAU
31	411132	WATER INLET HOSE	TUBO ENTRADA AGUA	TUBE ENTREE EAU
32	10026177	WATER INLET HOSE	TUBO ENTRADA AGUA	TUBE ENTREE EAU
33	10919231	WATER INLET TUBE	TUBO ENTRADA AGUA	TUBE ENTREE EAU
34	10919231	WATER INLET TUBE	TUBO ENTRADA AGUA	TUBE ENTREE EAU
35	10920684	WATER INLET HOSE T 85°C	TUBO ENTRADA AGUA T 85°C	TUBE ENTREE EAU T 85°C
36	606939	FIXING PLATE VALVE	CHAPA FIJACION VALVULA	PLATEAU FIXATION VANNE



N°	REF	DENOMINATION	DENOMINACIÓN	DENOMINATION
1	511212	4 TRACK ELECTROVALVE 389 180°C	ELECTROV.CUADRUPLE 389 180° *	ELECTROVANNE 4 VOIES 389 180°C
	156265	REGULATOR 3 L/MIN (BLACK)	REGULADOR DE 3 L/MIN. (NEGRO)	REGULATEUR 3 L/MIN (NOIR)
	510933	REGULATOR 4 L/MIN.RED	REGULADOR DE 4L/MIN.ROJO CLARO	REGULATEUR 4 L/MIN ROUGE
	300194	YELLOW CASE 30053	ESTUCHE AMARILLO 30053	BOITE JAUNE 30053
	300202	INTEGRAL GUIDE-MEMBRANE 30696	MEMBRANA-GUIA INTEGRAL 30696 *	MEMBRANE-GUIDE INTEGRALE 30696
	332296	COIL 255043000000 12VCC	BOBINA 255043000000 12VCC	BOBINE 255043000000 12VCC
2	152165	BRANCH	BIFURCACION	BIFURCATION
3	140525	CLAMP 2244-0	BRIDA UNEX 2244-0 *	BRIDE 2244-0
4	155150	HOSE CLIP ASFA-L W2 8-16	ABRAZADERA ASFA-L W2 8-16	COLLIER ASFA-L W2 8-16
5	333674	TRIPLE ELECTROVALVE 369 180°	ELECTROV.TRIPLE 369 180°12VCC*	ELECTROVANNE TRIPLE 369 180°
	300194	YELLOW CASE 30053	ESTUCHE AMARILLO 30053	BOITE JAUNE 30053
	300202	INTEGRAL GUIDE-MEMBRANE 30696	MEMBRANA-GUIA INTEGRAL 30696 *	MEMBRANE-GUIDE INTEGRALE 30696
	332296	COIL 255043000000 12VCC	BOBINA 255043000000 12VCC	BOBINE 255043000000 12VCC
6	116632	WATER INLET HOSE	TUBO ENTRADA AGUA	TUBE ENTREE EAU
7	411132	WATER INLET HOSE	TUBO ENTRADA AGUA	TUBE ENTREE EAU
8	411132	WATER INLET HOSE	TUBO ENTRADA AGUA	TUBE ENTREE EAU
9	427187	WATER INLET HOSE	TUBO ENTRADA AGUA	TUBE ENTREE EAU
10	10026177	WATER INLET HOSE	TUBO ENTRADA AGUA	TUBE ENTREE EAU
11	10919231	WATER INLET TUBE	TUBO ENTRADA AGUA	TUBE ENTREE EAU
12	10919231	WATER INLET TUBE	TUBO ENTRADA AGUA	TUBE ENTREE EAU
13	10919405	WATER INLET HOSE T 85°C	TUBO ENTRADA AGUA T 85°C	ENTREE EAU TUBE T 85°C
14	10920122	WATER INLET HOSE T 85°C	TUBO ENTRADA AGUA T 85°C	TUBE ENTREE EAU T 85°C



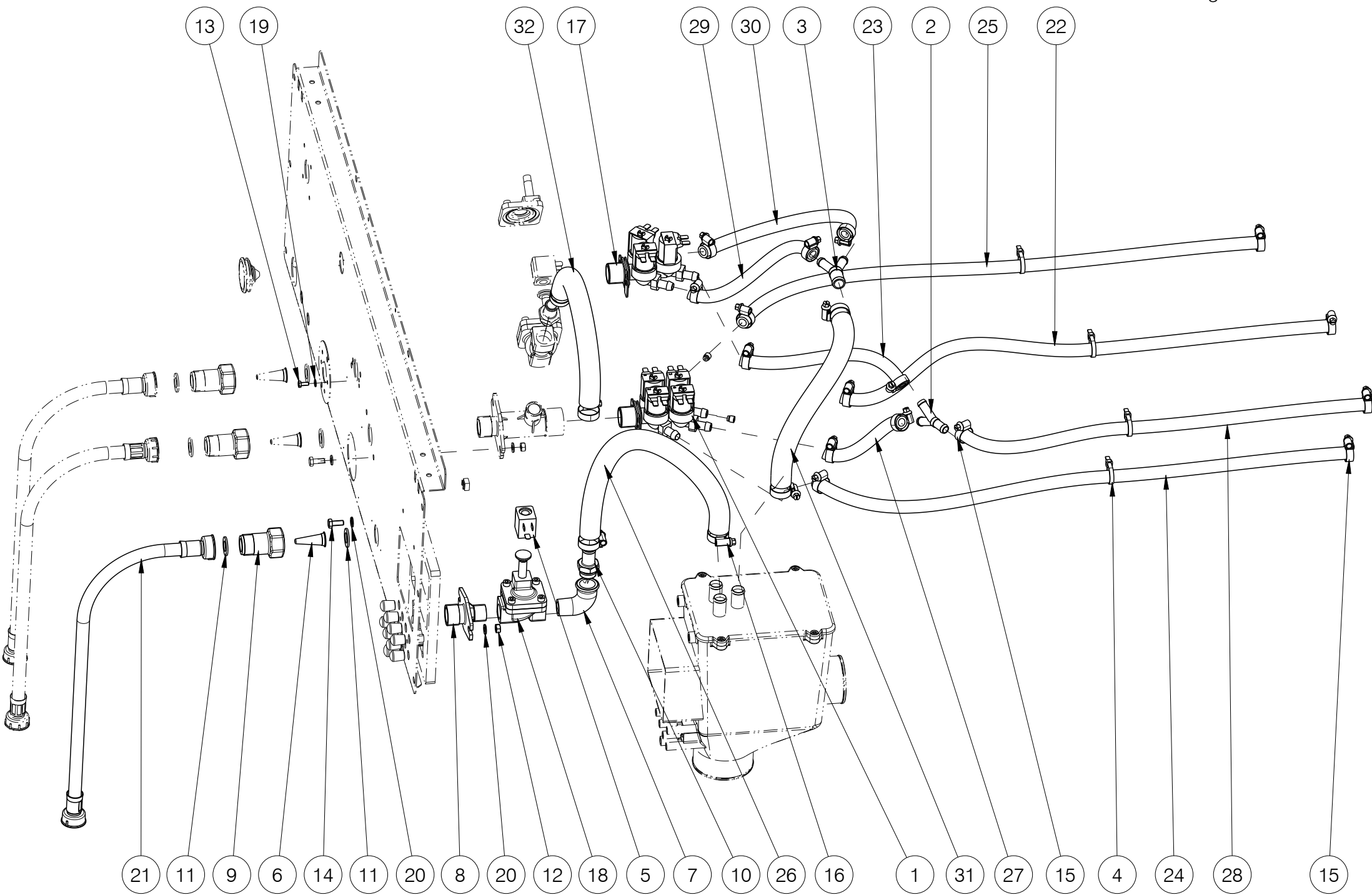
N°	REF	DENOMINATION	DENOMINACIÓN	DENOMINATION
1	140525	CLAMP 2244-0	BRIDA UNEX 2244-0 *	BRIDE 2244-0
2	333716	COIL AB 5W 12V CC 042N0806	BOBINA AB 5W 12V CC 042N0806	BOBINE AB 5W 12V CC 042N0806
3	129494	ELBOW FIG 92 1/2" GALV	FIGURA 92 DE 1/2"AMAT GALV.	COUDE FIG 92 1/2" GALV
4	552133	ELECTROVALVE BRACKET	SOPORTE ELECTROVALVULAS	SUPPORT ELECTROVANNES
5	333690	FIG. 243 MI 1/2" BRASS	FIGURA 243 MI DE 1/2" LATON	FIG. 243 MI 1/2" LAITON
6	150227	BICR HEX NUT DIN934-8 M6	TUER.EX.DIN934-8 B.TRI.M 6	ECROU HEX DIN934-8 BICR.M6
7	146233	BICR.HEX SCREW DIN933-8 M6X15	TOR.EX.DIN933-8.8 B.TRI.M 6X15	VIS HEX DIN933-8.8 BICR.M6X15
8	155150	HOSE CLIP ASFA-L W2 8-16	ABRAZADERA ASFA-L W2 8-16	COLLIER ASFA-L W2 8-16
9	156109	CLAMP 16-27	ABRAZADERA 16- 27 *	BRIDE 16-27
10	156687	CONICAL END-PIECE R-16 D16	TOPE CONICO REPRIMSA R-16 D16	ARRET CONIQUE R-16 D16
11	323329	SIMPLE ELECTROVALVE 329 180	ELECTROV.SIMPLE 329 180	ELECTROVANNE SIMPLE 329 180
	300194	YELLOW CASE 30053	ESTUCHE AMARILLO 30053	BOITE JAUNE 30053
	300202	INTEGRAL GUIDE-MEMBRANE 30696	MEMBRANA-GUIA INTEGRAL 30696 *	MEMBRANE-GUIDE INTEGRALE 30696
	332296	COIL 255043000000 12VCC	BOBINA 255043000000 12VCC	BOBINE 255043000000 12VCC
12	511139	THREE TRACK ELECTROVALVE	ELECTROVALVULA TRES VIAS	ELECTROVANNE TROIS VOIES
	156265	REGULATOR 3 L/MIN (BLACK)	REGULADOR DE 3 L/MIN. (NEGRO)	REGULATEUR 3 L/MIN (NOIR)
	510933	REGULATOR 4 L/MIN.RED	REGULADOR DE 4L/MIN.ROJO CLARO	REGULATEUR 4 L/MIN ROUGE
	300194	YELLOW CASE 30053	ESTUCHE AMARILLO 30053	BOITE JAUNE 30053
	300202	INTEGRAL GUIDE-MEMBRANE 30696	MEMBRANA-GUIA INTEGRAL 30696 *	MEMBRANE-GUIDE INTEGRALE 30696
	332296	COIL 255043000000 12VCC	BOBINA 255043000000 12VCC	BOBINE 255043000000 12VCC
13	333708	VALVE EV220A G12 042U4022	CUERPO VAL.EV220A G12 042U4022	VANNE EV220A G12 042U4022
14	149526	BICR.WASHER B DIN125-ST 6,4	ARAN.B DIN125-ST B.TRI. 6,4	BICR.WASHER B DIN125-ST 6,4
15	116632	WATER INLET HOSE	TUBO ENTRADA AGUA	TUBE ENTREE EAU
16	411132	WATER INLET HOSE	TUBO ENTRADA AGUA	TUBE ENTREE EAU
17	411132	WATER INLET HOSE	TUBO ENTRADA AGUA	TUBE ENTREE EAU
18	411140	WATER INLET HOSE	TUBO ENTRADA AGUA	TUBE ENTREE EAU
19	427229	WATER INLET HOSE	TUBO ENTRADA AGUA	TUBE ENTREE EAU
20	10026177	WATER INLET HOSE	TUBO ENTRADA AGUA	TUBE ENTREE EAU



N°	REF	DENOMINATION	DENOMINACIÓN	DENOMINATION
1	511212	4 TRACK ELECTROVALVE 389 180°C	ELECTROV.CUADRUPLE 389 180° *	ELECTROVANNE 4 VOIES 389 180°C
	156265	REGULATOR 3 L/MIN (BLACK)	REGULADOR DE 3 L/MIN. (NEGRO)	REGULATEUR 3 L/MIN (NOIR)
	510933	REGULATOR 4 L/MIN.RED	REGULADOR DE 4L/MIN.ROJO CLARO	REGULATEUR 4 L/MIN ROUGE
	300194	YELLOW CASE 30053	ESTUCHE AMARILLO 30053	BOITE JAUNE 30053
	300202	INTEGRAL GUIDE-MEMBRANE 30696	MEMBRANA-GUIA INTEGRAL 30696 *	MEMBRANE-GUIDE INTEGRALE 30696
	332296	COIL 255043000000 12VCC	BOBINA 255043000000 12VCC	BOBINE 255043000000 12VCC
2	152165	BRANCH	BIFURCACION	BIFURCATION
3	140525	CLAMP 2244-0	BRIDA UNEX 2244-0 *	BRIDE 2244-0
4	333716	COIL AB 5W 12V CC 042N0806	BOBINA AB 5W 12V CC 042N0806	BOBINE AB 5W 12V CC 042N0806
5	129494	ELBOW FIG 92 1/2" GALV	FIGURA 92 DE 1/2"AMAT GALV.	COUDE FIG 92 1/2" GALV
6	552133	ELECTROVALVE BRACKET	SOPORTE ELECTROVALVULAS	SUPPORT ELECTROVANNES
7	333690	FIG. 243 MI 1/2" BRASS	FIGURA 243 MI DE 1/2" LATON	FIG. 243 MI 1/2" LAITON
8	150227	BICR HEX NUT DIN934-8 M6	TUER.EX.DIN934-8 B.TRI.M 6	ECROU HEX DIN934-8 BICR.M6
9	146233	BICR.HEX SCREW DIN933-8 M6X15	TOR.EX.DIN933-8.8 B.TRI.M 6X15	VIS HEX DIN933-8.8 BICR.M6X15
10	155150	HOSE CLIP ASFA-L W2 8-16	ABRAZADERA ASFA-L W2 8-16	COLLIER ASFA-L W2 8-16
11	156109	CLAMP 16-27	ABRAZADERA 16- 27 *	BRIDE 16-27
12	156687	CONICAL END-PIECE R-16 D16	TOPE CONICO REPRIMSA R-16 D16	ARRET CONIQUE R-16 D16
13	323329	SIMPLE ELECTROVALVE 329 180	ELECTROV.SIMPLE 329 180	ELECTROVANNE SIMPLE 329 180
	300194	YELLOW CASE 30053	ESTUCHE AMARILLO 30053	BOITE JAUNE 30053
	300202	INTEGRAL GUIDE-MEMBRANE 30696	MEMBRANA-GUIA INTEGRAL 30696 *	MEMBRANE-GUIDE INTEGRALE 30696
	332296	COIL 255043000000 12VCC	BOBINA 255043000000 12VCC	BOBINE 255043000000 12VCC
14	333708	VALVE EV220A G12 042U4022	CUERPO VAL.EV220A G12 042U4022	VANNE EV220A G12 042U4022
15	149526	BICR.WASHER B DIN125-ST 6,4	ARAN.B DIN125-ST B.TRI. 6,4	BICR.WASHER B DIN125-ST 6,4
16	116632	WATER INLET HOSE	TUBO ENTRADA AGUA	TUBE ENTREE EAU
17	410613	WATER INLET HOSE	TUBO ENTRADA AGUA	TUBE ENTRÉE EAU
18	411132	WATER INLET HOSE	TUBO ENTRADA AGUA	TUBE ENTREE EAU
19	411132	WATER INLET HOSE	TUBO ENTRADA AGUA	TUBE ENTREE EAU
20	427187	WATER INLET HOSE	TUBO ENTRADA AGUA	TUBE ENTREE EAU

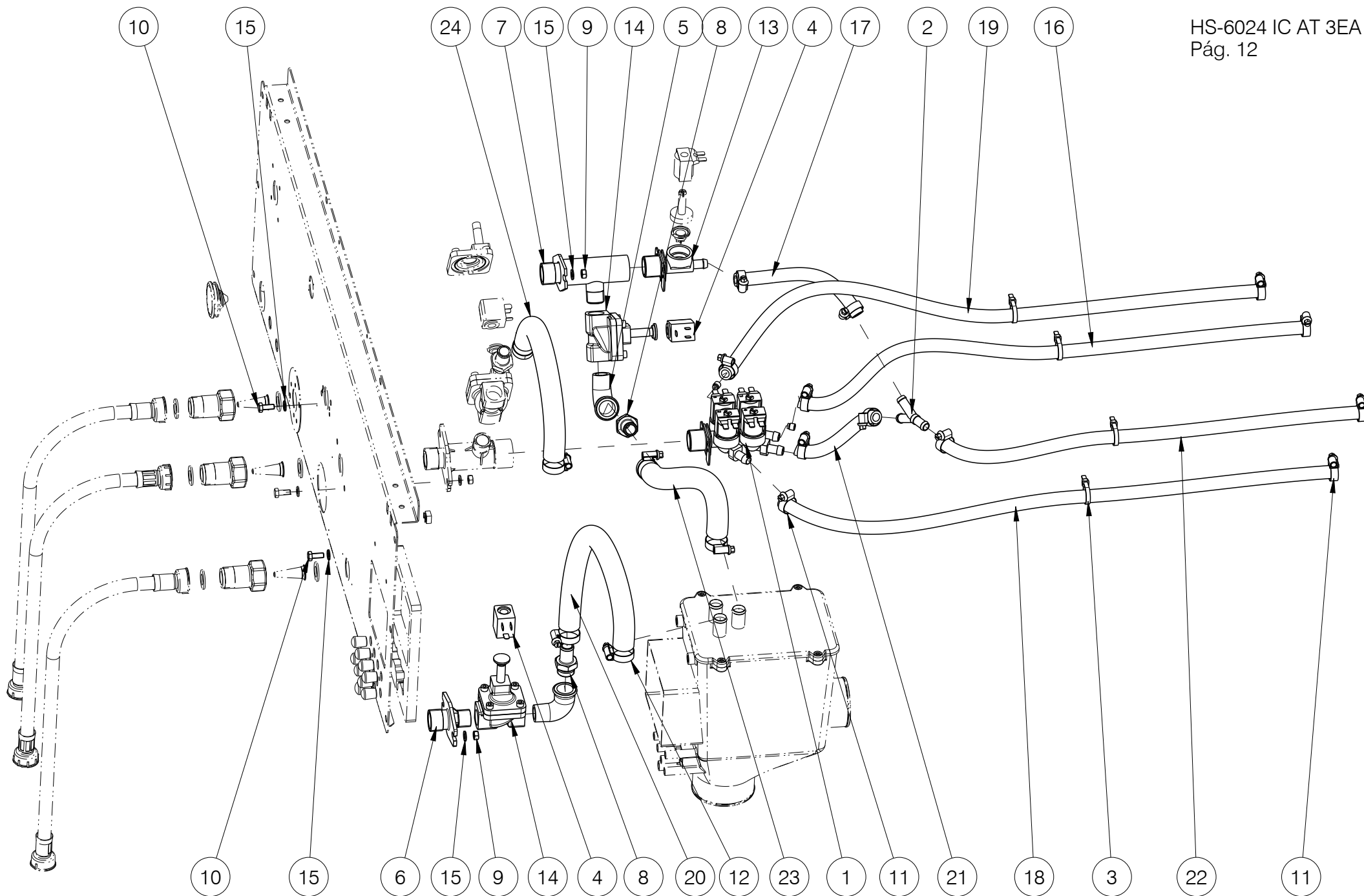
N°	REF	DENOMINATION	DENOMINACIÓN	DENOMINATION
21	427195	WATER INLET HOSE	TUBO ENTRADA AGUA	TUBE ENTREE EAU
22	427229	WATER INLET HOSE	TUBO ENTRADA AGUA	TUBE ENTREE EAU
23	10026177	WATER INLET HOSE	TUBO ENTRADA AGUA	TUBE ENTREE EAU





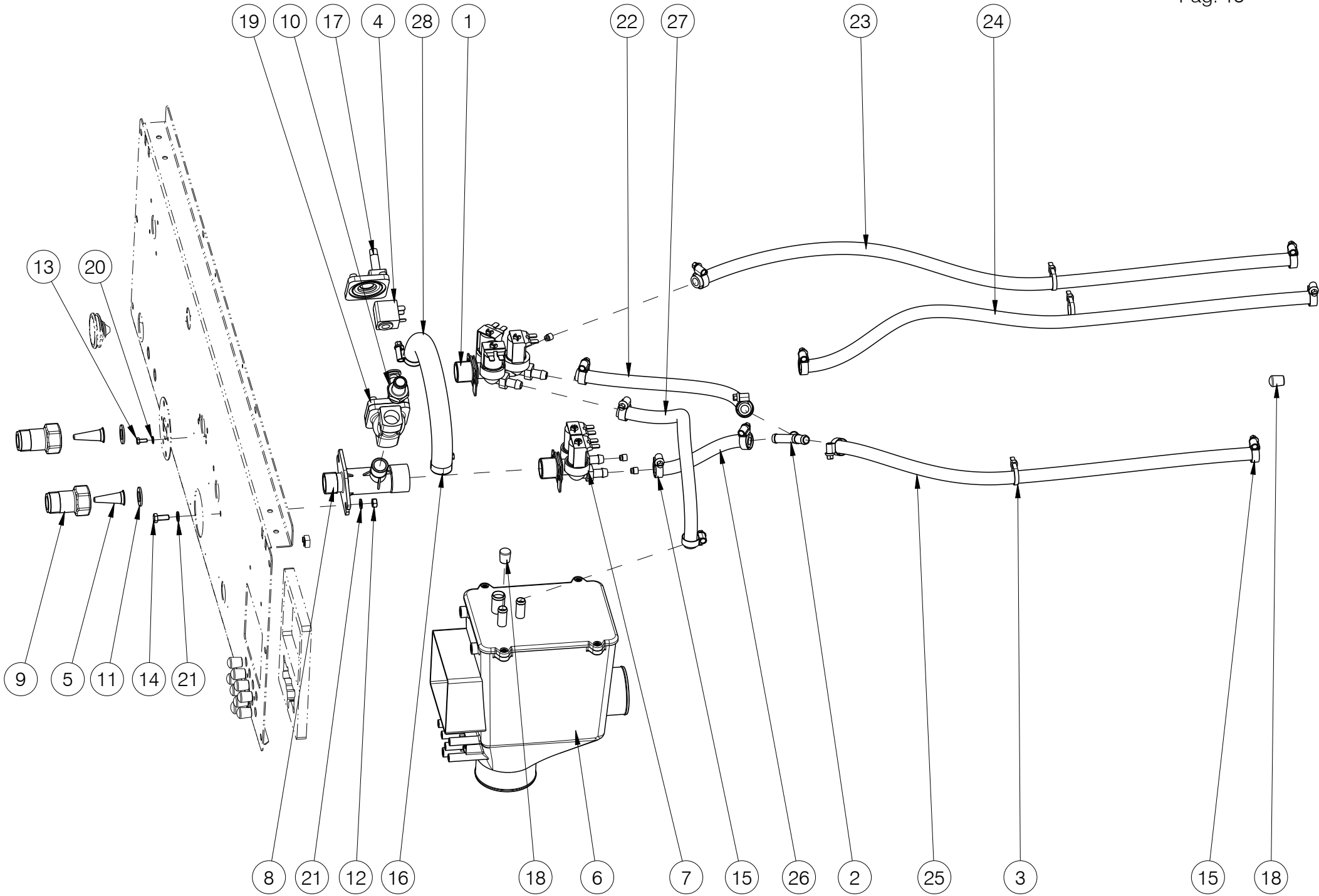
N°	REF	DENOMINATION	DENOMINACIÓN	DENOMINATION
1	511212	4 TRACK ELECTROVALVE 389 180°C	ELECTROV.CUADRUPLE 389 180° *	ELECTROVANNE 4 VOIES 389 180°C
	156265	REGULATOR 3 L/MIN (BLACK)	REGULADOR DE 3 L/MIN. (NEGRO)	REGULATEUR 3 L/MIN (NOIR)
	510933	REGULATOR 4 L/MIN.RED	REGULADOR DE 4L/MIN.ROJO CLARO	REGULATEUR 4 L/MIN ROUGE
	300194	YELLOW CASE 30053	ESTUCHE AMARILLO 30053	BOITE JAUNE 30053
	300202	INTEGRAL GUIDE-MEMBRANE 30696	MEMBRANA-GUIA INTEGRAL 30696 *	MEMBRANE-GUIDE INTEGRALE 30696
	332296	COIL 255043000000 12VCC	BOBINA 255043000000 12VCC	BOBINE 255043000000 12VCC
2	152165	BRANCH	BIFURCACION	BIFURCATION
3	321463	BRANCH OF 16-10,5-10,5	BIFURCACION DE 16-10,5-10,5	BIFURCATION DE 16-10,5-10,5
4	140525	CLAMP 2244-0	BRIDA UNEX 2244-0 *	BRIDE 2244-0
5	333716	COIL AB 5W 12V CC 042N0806	BOBINA AB 5W 12V CC 042N0806	BOBINE AB 5W 12V CC 042N0806
6	315614	CONICAL FILTER REF.4008-2-1	FILTRO CONICO REF.4008-2-1	FILTRE CONIQUE REF.4008-2-1
7	129494	ELBOW FIG 92 1/2" GALV	FIGURA 92 DE 1/2"AMAT GALV.	COUDE FIG 92 1/2" GALV
8	338152	ELECTROVALVE BRACKET	SOPORTE ELECTROVALVULAS	SUPPORT ELECTROVANNES
9	315317	FILTER BODY	CUERPO FILTRO	CORPS FILTRE
10	333690	FIG. 243 MI 1/2" BRASS	FIGURA 243 MI DE 1/2" LATON	FIG. 243 MI 1/2" LAITON
11	114348	GASKET D24XD13,5X2	JUNTA MIFLEX D24X13, 5X2 EPDM WRC 400105	JOINT D24XD13,5X2
12	150227	BICR HEX NUT DIN934-8 M6	TUER.EX.DIN934-8 B.TRI.M 6	ECROU HEX DIN934-8 BICR.M6
13	146258	BIC.HEX SCREW DIN933-4.8 M4X10	TOR.EX.DIN933-4.8 B.TRI.M 4X10	VIS HEX DIN933-4.8 BICR.M 4X10
14	146233	BICR.HEX SCREW DIN933-8 M6X15	TOR.EX.DIN933-8.8 B.TRI.M 6X15	VIS HEX DIN933-8.8 BICR.M6X15
15	155150	HOSE CLIP ASFA-L W2 8-16	ABRAZADERA ASFA-L W2 8-16	COLLIER ASFA-L W2 8-16
16	156109	CLAMP 16-27	ABRAZADERA 16- 27 *	BRIDE 16-27
17	333674	TRIPLE ELECTROVALVE 369 180°	ELECTROV.TRIPLE 369 180°12VCC*	ELECTROVANNE TRIPLE 369 180°
	300194	YELLOW CASE 30053	ESTUCHE AMARILLO 30053	BOITE JAUNE 30053
	300202	INTEGRAL GUIDE-MEMBRANE 30696	MEMBRANA-GUIA INTEGRAL 30696 *	MEMBRANE-GUIDE INTEGRALE 30696
	332296	COIL 255043000000 12VCC	BOBINA 255043000000 12VCC	BOBINE 255043000000 12VCC
18	333708	VALVE EV220A G12 042U4022	CUERPO VAL.EV220A G12 042U4022	VANNE EV220A G12 042U4022
19	149476	BICR.WASHER B DIN125-ST 4,3	ARAN.B DIN125-ST B.TRI. 4,3	RONDELLE B DIN125-ST BICR.4,3
20	149526	BICR.WASHER B DIN125-ST 6,4	ARAN.B DIN125-ST B.TRI. 6,4	BICR.WASHER B DIN125-ST 6,4

N°	REF	DENOMINATION	DENOMINACIÓN	DENOMINATION
21	326587	WATER INLET AC DI12,5 L1,5M	TUBO ENTRADA AC DI12,5 L1,5M *	FLEXIBLE ENTRÉE AC DI12,5 L1,5
22	116632	WATER INLET HOSE	TUBO ENTRADA AGUA	TUBE ENTREE EAU
23	410613	WATER INLET HOSE	TUBO ENTRADA AGUA	TUBE ENTRÉE EAU
24	411132	WATER INLET HOSE	TUBO ENTRADA AGUA	TUBE ENTREE EAU
25	411132	WATER INLET HOSE	TUBO ENTRADA AGUA	TUBE ENTREE EAU
26	411199	WATER INLET HOSE	TUBO ENTRADA AGUA	TUBE ENTRÉE EAU
27	427187	WATER INLET HOSE	TUBO ENTRADA AGUA	TUBE ENTREE EAU
28	427195	WATER INLET HOSE	TUBO ENTRADA AGUA	TUBE ENTREE EAU
29	432658	WATER INLET HOSE	TUBO ENTRADA AGUA	TUBE ENTREE EAU
30	432658	WATER INLET HOSE	TUBO ENTRADA AGUA	TUBE ENTREE EAU
31	432690	WATER INLET HOSE	TUBO ENTRADA AGUA	TUBE ENTREE EAU
32	10026177	WATER INLET HOSE	TUBO ENTRADA AGUA	TUBE ENTREE EAU
		WITHOUT ILLUSTRATION	SIN ILUSTRACION	SANS ILLUSTRATION
	618090	THIRD WATER INLET KIT	KIT TERCERA ENTRADA AGUA	KIT TROISIEME ENTREE EAU



N°	REF	DENOMINATION	DENOMINACIÓN	DENOMINATION
1	511212	4 TRACK ELECTROVALVE 389 180°C	ELECTROV.CUADRUPLE 389 180° *	ELECTROVANNE 4 VOIES 389 180°C
	156265	REGULATOR 3 L/MIN (BLACK)	REGULADOR DE 3 L/MIN. (NEGRO)	REGULATEUR 3 L/MIN (NOIR)
	510933	REGULATOR 4 L/MIN.RED	REGULADOR DE 4L/MIN.ROJO CLARO	REGULATEUR 4 L/MIN ROUGE
	300194	YELLOW CASE 30053	ESTUCHE AMARILLO 30053	BOITE JAUNE 30053
	300202	INTEGRAL GUIDE-MEMBRANE 30696	MEMBRANA-GUIA INTEGRAL 30696 *	MEMBRANE-GUIDE INTEGRALE 30696
	332296	COIL 255043000000 12VCC	BOBINA 255043000000 12VCC	BOBINE 255043000000 12VCC
2	152165	BRANCH	BIFURCACION	BIFURCATION
3	140525	CLAMP 2244-0	BRIDA UNEX 2244-0 *	BRIDE 2244-0
4	333716	COIL AB 5W 12V CC 042N0806	BOBINA AB 5W 12V CC 042N0806	BOBINE AB 5W 12V CC 042N0806
5	129494	ELBOW FIG 92 1/2" GALV	FIGURA 92 DE 1/2"AMAT GALV.	COUDE FIG 92 1/2" GALV
6	338152	ELECTROVALVE BRACKET	SOPORTE ELECTROVALVULAS	SUPPORT ELECTROVANNES
7	552133	ELECTROVALVE BRACKET	SOPORTE ELECTROVALVULAS	SUPPORT ELECTROVANNES
8	333690	FIG. 243 MI 1/2" BRASS	FIGURA 243 MI DE 1/2" LATON	FIG. 243 MI 1/2" LAITON
9	150227	BICR HEX NUT DIN934-8 M6	TUER.EX.DIN934-8 B.TRI.M 6	ECROU HEX DIN934-8 BICR.M6
10	146233	BICR.HEX SCREW DIN933-8 M6X15	TOR.EX.DIN933-8.8 B.TRI.M 6X15	VIS HEX DIN933-8.8 BICR.M6X15
11	155150	HOSE CLIP ASFA-L W2 8-16	ABRAZADERA ASFA-L W2 8-16	COLLIER ASFA-L W2 8-16
12	156109	CLAMP 16-27	ABRAZADERA 16- 27 *	BRIDE 16-27
13	323329	SIMPLE ELECTROVALVE 329 180	ELECTROV.SIMPLE 329 180	ELECTROVANNE SIMPLE 329 180
	300194	YELLOW CASE 30053	ESTUCHE AMARILLO 30053	BOITE JAUNE 30053
	300202	INTEGRAL GUIDE-MEMBRANE 30696	MEMBRANA-GUIA INTEGRAL 30696 *	MEMBRANE-GUIDE INTEGRALE 30696
	332296	COIL 255043000000 12VCC	BOBINA 255043000000 12VCC	BOBINE 255043000000 12VCC
14	333708	VALVE EV220A G12 042U4022	CUERPO VAL.EV220A G12 042U4022	VANNE EV220A G12 042U4022
15	149526	BICR.WASHER B DIN125-ST 6,4	ARAN.B DIN125-ST B.TRI. 6,4	BICR.WASHER B DIN125-ST 6,4
16	116632	WATER INLET HOSE	TUBO ENTRADA AGUA	TUBE ENTREE EAU
17	410613	WATER INLET HOSE	TUBO ENTRADA AGUA	TUBE ENTRÉE EAU
18	411132	WATER INLET HOSE	TUBO ENTRADA AGUA	TUBE ENTREE EAU
19	411132	WATER INLET HOSE	TUBO ENTRADA AGUA	TUBE ENTREE EAU
20	411199	WATER INLET HOSE	TUBO ENTRADA AGUA	TUBE ENTRÉE EAU

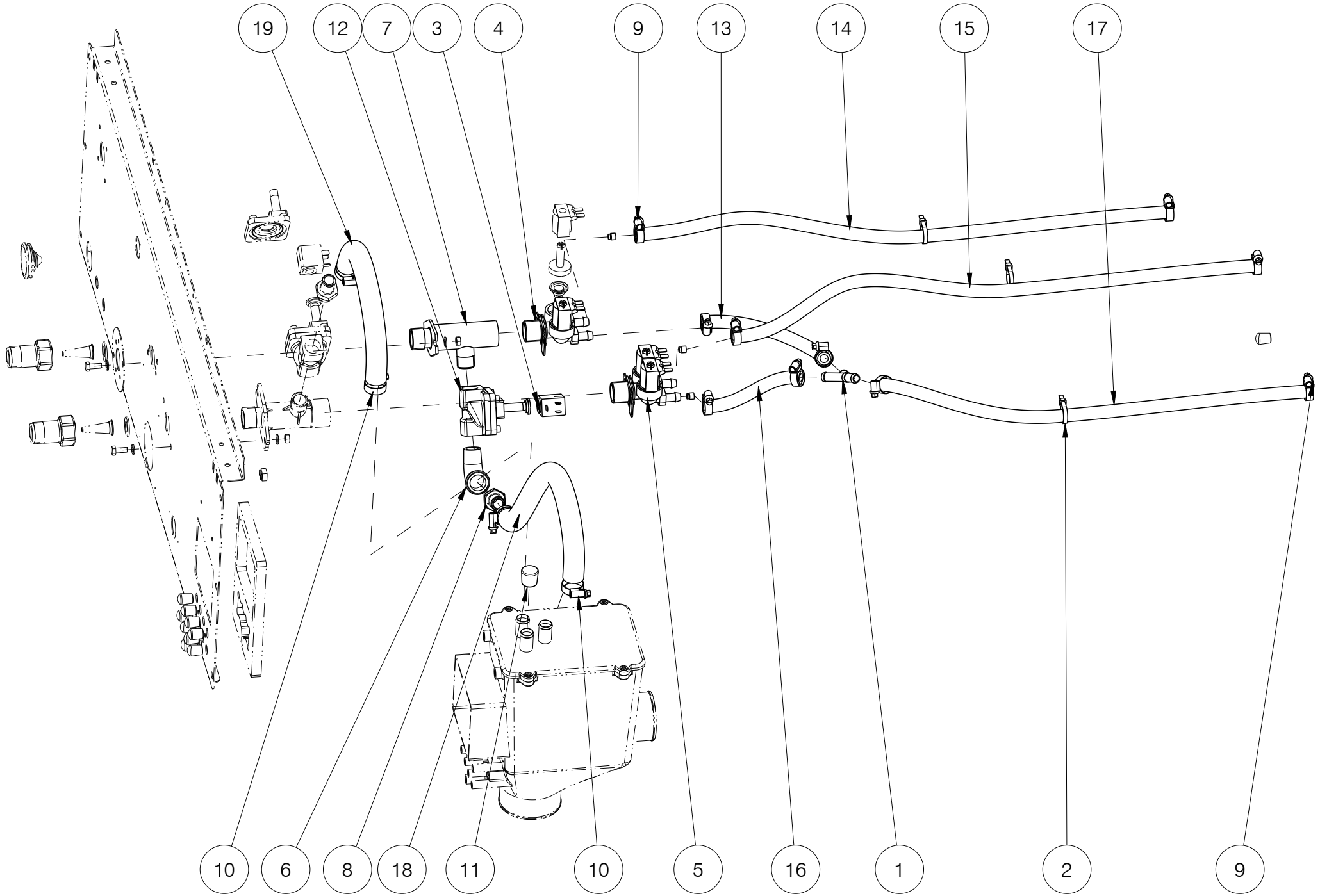
N°	REF	DENOMINATION	DENOMINACIÓN	DENOMINATION
21	427187	WATER INLET HOSE	TUBO ENTRADA AGUA	TUBE ENTREE EAU
22	427195	WATER INLET HOSE	TUBO ENTRADA AGUA	TUBE ENTREE EAU
23	427229	WATER INLET HOSE	TUBO ENTRADA AGUA	TUBE ENTREE EAU
24	10026177	WATER INLET HOSE	TUBO ENTRADA AGUA	TUBE ENTREE EAU



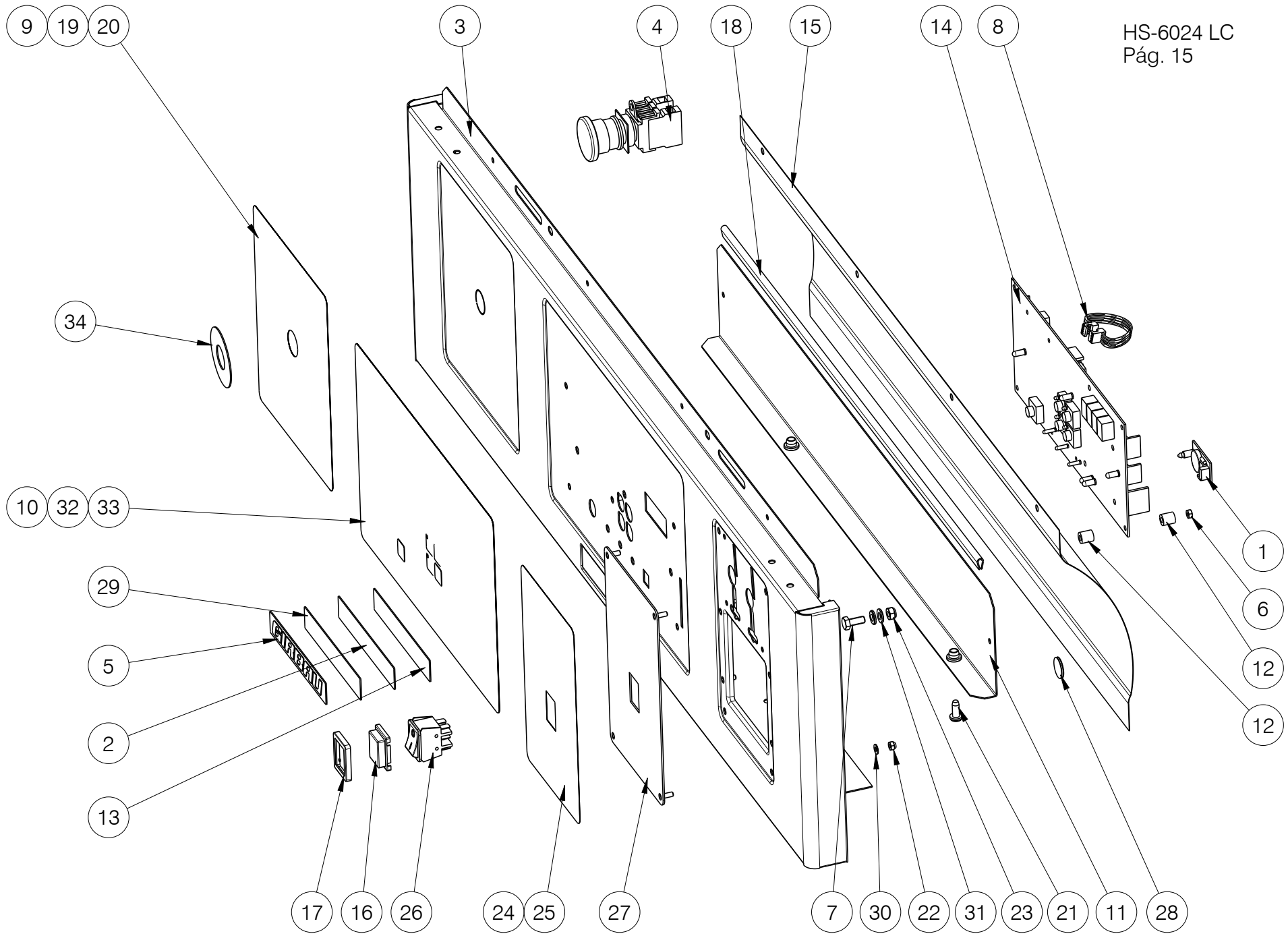
N°	REF	DENOMINATION	DENOMINACIÓN	DENOMINATION
1	511022	THREE TRACK ELECTROVALVE	ELECTROVALVULA TRES VIAS	ELECTROVANNE TROIS VOIES
	510933	REGULATOR 4 L/MIN.RED	REGULADOR DE 4L/MIN.ROJO CLARO	REGULATEUR 4 L/MIN ROUGE
	300194	YELLOW CASE 30053	ESTUCHE AMARILLO 30053	BOITE JAUNE 30053
	300202	INTEGRAL GUIDE-MEMBRANE 30696	MEMBRANA-GUIA INTEGRAL 30696 *	MEMBRANE-GUIDE INTEGRALE 30696
	332296	COIL 255043000000 12VCC	BOBINA 255043000000 12VCC	BOBINE 255043000000 12VCC
2	152165	BRANCH	BIFURCACION	BIFURCATION
3	140525	CLAMP 2244-0	BRIDA UNEX 2244-0 *	BRIDE 2244-0
4	333716	COIL AB 5W 12V CC 042N0806	BOBINA AB 5W 12V CC 042N0806	BOBINE AB 5W 12V CC 042N0806
5	315614	CONICAL FILTER REF.4008-2-1	FILTRO CONICO REF.4008-2-1	FILTRE CONIQUE REF.4008-2-1
6	339689	DISTRIBUTOR	DISTRIBUIDOR	DISTRIBUTEUR
7	521294	DOUBLE ELECTROVALVE	ELECTROVALVULA DOS VIAS	ELECTROVANNE DOUBLE
	156265	REGULATOR 3 L/MIN (BLACK)	REGULADOR DE 3 L/MIN. (NEGRO)	REGULATEUR 3 L/MIN (NOIR)
	156257	REGULATOR 8 L/MIN (RED)	REGULADOR DE 8 L/MIN. (ROJO)	REGULATEUR 8 L/MIN (ROUGE)
	300194	YELLOW CASE 30053	ESTUCHE AMARILLO 30053	BOITE JAUNE 30053
	300202	INTEGRAL GUIDE-MEMBRANE 30696	MEMBRANA-GUIA INTEGRAL 30696 *	MEMBRANE-GUIDE INTEGRALE 30696
	332296	COIL 255043000000 12VCC	BOBINA 255043000000 12VCC	BOBINE 255043000000 12VCC
8	333682	ELECTROVALVE BRACKET	SOPORTE ELECTROVALVULAS	SUPPORT ELECTROVANNES
9	315317	FILTER BODY	CUERPO FILTRO	CORPS FILTRE
10	333690	FIG. 243 MI 1/2" BRASS	FIGURA 243 MI DE 1/2" LATON	FIG. 243 MI 1/2" LAITON
11	114348	GASKET D24XD13,5X2	JUNTA MIFLEX D24X13, 5X2 EPDM WRC 400105	JOINT D24XD13,5X2
12	150227	BICR HEX NUT DIN934-8 M6	TUER.EX.DIN934-8 B.TRI.M 6	ECROU HEX DIN934-8 BICR.M6
13	146258	BIC.HEX SCREW DIN933-4.8 M4X10	TOR.EX.DIN933-4.8 B.TRI.M 4X10	VIS HEX DIN933-4.8 BICR.M 4X10
14	146233	BICR.HEX SCREW DIN933-8 M6X15	TOR.EX.DIN933-8.8 B.TRI.M 6X15	VIS HEX DIN933-8.8 BICR.M6X15
15	155150	HOSE CLIP ASFA-L W2 8-16	ABRAZADERA ASFA-L W2 8-16	COLLIER ASFA-L W2 8-16
16	156109	CLAMP 16-27	ABRAZADERA 16- 27 *	BRIDE 16-27
17	341685	SPARE-PARTS KIT EV220A 12-14B	KIT REPUES.EV220A 12-14B *	KIT RECHANGES EV220A 12-14B
18	156679	CONICAL END-PIECE R-16 D10	TOPE CONICO REPRIMSA R-16 D10	BOUCHON CONIQUE R-16 D10
19	333708	VALVE EV220A G12 042U4022	CUERPO VAL.EV220A G12 042U4022	VANNE EV220A G12 042U4022



N°	REF	DENOMINATION	DENOMINACIÓN	DENOMINATION
20	149476	BICR.WASHER B DIN125-ST 4,3	ARAN.B DIN125-ST B.TRI. 4,3	RONDELLE B DIN125-ST BICR.4,3
21	149526	BICR.WASHER B DIN125-ST 6,4	ARAN.B DIN125-ST B.TRI. 6,4	BICR.WASHER B DIN125-ST 6,4
22	410613	WATER INLET HOSE	TUBO ENTRADA AGUA	TUBE ENTRÉE EAU
23	411124	WATER INLET HOSE	TUBO ENTRADA AGUA	TUBE ENTREE EAU
24	411140	WATER INLET HOSE	TUBO ENTRADA AGUA	TUBE ENTREE EAU
25	411363	WATER INLET HOSE	TUBO ENTRADA AGUA	TUBE ENTREE EAU
26	427187	WATER INLET HOSE	TUBO ENTRADA AGUA	TUBE ENTREE EAU
27	430934	WATER INLET HOSE	TUBO ENTRADA AGUA	TUBE ENTREE EAU
28	10026177	WATER INLET HOSE	TUBO ENTRADA AGUA	TUBE ENTREE EAU

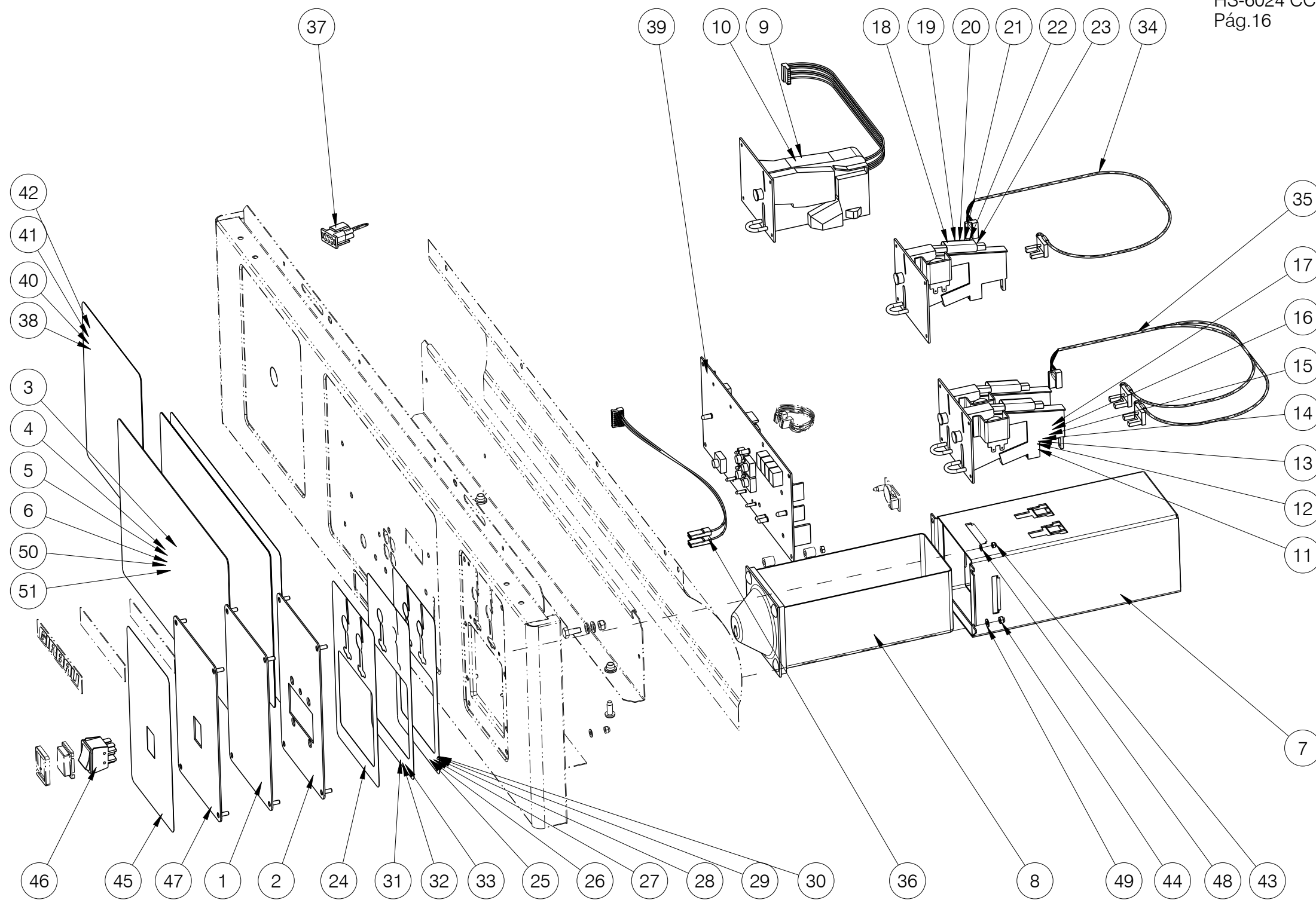


N°	REF	DENOMINATION	DENOMINACIÓN	DENOMINATION
1	152165	BRANCH	BIFURCACION	BIFURCATION
2	140525	CLAMP 2244-0	BRIDA UNEX 2244-0 *	BRIDE 2244-0
3	333716	COIL AB 5W 12V CC 042N0806	BOBINA AB 5W 12V CC 042N0806	BOBINE AB 5W 12V CC 042N0806
4	511089	DOUBLE ELECTROVALVE	ELECTROVALVULA DOS VIAS	ELECTROVANNE DOUBLE
	510933	REGULATOR 4 L/MIN.RED	REGULADOR DE 4L/MIN.ROJO CLARO	REGULATEUR 4 L/MIN ROUGE
	300194	YELLOW CASE 30053	ESTUCHE AMARILLO 30053	BOITE JAUNE 30053
	300202	INTEGRAL GUIDE-MEMBRANE 30696	MEMBRANA-GUIA INTEGRAL 30696 *	MEMBRANE-GUIDE INTEGRALE 30696
	332296	COIL 255043000000 12VCC	BOBINA 255043000000 12VCC	BOBINE 255043000000 12VCC
5	521294	DOUBLE ELECTROVALVE	ELECTROVALVULA DOS VIAS	ELECTROVANNE DOUBLE
	156265	REGULATOR 3 L/MIN (BLACK)	REGULADOR DE 3 L/MIN. (NEGRO)	REGULATEUR 3 L/MIN (NOIR)
	156257	REGULATOR 8 L/MIN (RED)	REGULADOR DE 8 L/MIN. (ROJO)	REGULATEUR 8 L/MIN (ROUGE)
	300194	YELLOW CASE 30053	ESTUCHE AMARILLO 30053	BOITE JAUNE 30053
	300202	INTEGRAL GUIDE-MEMBRANE 30696	MEMBRANA-GUIA INTEGRAL 30696 *	MEMBRANE-GUIDE INTEGRALE 30696
	332296	COIL 255043000000 12VCC	BOBINA 255043000000 12VCC	BOBINE 255043000000 12VCC
6	129494	ELBOW FIG 92 1/2" GALV	FIGURA 92 DE 1/2"AMAT GALV.	COUDE FIG 92 1/2" GALV
7	552133	ELECTROVALVE BRACKET	SOPORTE ELECTROVALVULAS	SUPPORT ELECTROVANNES
8	333690	FIG. 243 MI 1/2" BRASS	FIGURA 243 MI DE 1/2" LATON	FIG. 243 MI 1/2" LAITON
9	155150	HOSE CLIP ASFA-L W2 8-16	ABRAZADERA ASFA-L W2 8-16	COLLIER ASFA-L W2 8-16
10	156109	CLAMP 16-27	ABRAZADERA 16- 27 *	BRIDE 16-27
11	156687	CONICAL END-PIECE R-16 D16	TOPE CONICO REPRIMSA R-16 D16	ARRET CONIQUE R-16 D16
12	333708	VALVE EV220A G12 042U4022	CUERPO VAL.EV220A G12 042U4022	VANNE EV220A G12 042U4022
13	410613	WATER INLET HOSE	TUBO ENTRADA AGUA	TUBE ENTRÉE EAU
14	411132	WATER INLET HOSE	TUBO ENTRADA AGUA	TUBE ENTREE EAU
15	411140	WATER INLET HOSE	TUBO ENTRADA AGUA	TUBE ENTREE EAU
16	427187	WATER INLET HOSE	TUBO ENTRADA AGUA	TUBE ENTREE EAU
17	427195	WATER INLET HOSE	TUBO ENTRADA AGUA	TUBE ENTREE EAU
18	427229	WATER INLET HOSE	TUBO ENTRADA AGUA	TUBE ENTREE EAU
19	10026177	WATER INLET HOSE	TUBO ENTRADA AGUA	TUBE ENTREE EAU



N°	REF	DENOMINATION	DENOMINACIÓN	DENOMINATION
1	322677	CLOCK CIRCUIT	CIRCUITO RELOJ	CIRCUIT HORLOGE
2	326082	PLATE CONTINENTAL GIRBAU	PLACA CONTINENTAL GIRBAU	PLAQUE CONTINENTAL GIRBAU
3	595645	CONTROL PANEL	PANEL DE MANDOS	PANNEAU DE COMMANDES
4	341529	EMERGENCY STOP LC	PARO EMERGENCIA LC	ARRET EMERGENCE LC
5	326074	PLATE GIRBAU	PLACA GIRBAU	PLAQUE GIRBAU
6	150185	BICR.HEX.NUT DIN934-8 M4	TUER.EX.DIN934-8 B.TRI.M 4	ECROU HEX.DIN934-8 BICR.M4
7	146233	BICR.HEX SCREW DIN933-8 M6X15	TOR.EX.DIN933-8.8 B.TRI.M 6X15	VIS HEX DIN933-8.8 BICR.M6X15
8	615039	IDENTIFICATION CENNECTOR	CONECTORA IDENTIFICACION	CONNECTEUR IDENTIFICATION
9	10699163	LABEL	ETIQUETA	ÉTIQUETTE
10	10034825	LC WASHER KEYBOARD	TECLADO LAVADORA LC	CLAVIER LAVEUSE LC
11	595694	CONTROL PANEL PROFILE	PERFIL PANEL DE MANDOS	PROFIL PANNEAU DE COMMANDES
12	587782	MICRO BOARD SPACER	SEPARADOR PLACA MICRO	SEPARATEUR PLAQUE MICRO
13	10065415	PLATE POSEIDON	PLACA POSEIDON	PLAQUE POSEIDON
14	594481	MICROP. BOARD MS-6 LC/CC	PLACA MICROP.MS-6 LC/CC	PLAQUE MICROP. MS-6 LC/CC
15	614305	MICRO BOARD PROTECTION	PROTECCION PLACA MICRO	PROTECTION PLAQUE MICRO
16	10552784	PROTECTIVE COVER	CUBIERTA PROTECTORA	CUVERCLE DE PROTECTION
17	10552768	PROTECTIVE COVER FRAME	MARCO CUBIERTA PROTECTORA	CADRE DE COUVERTURE
18	192021	PROFILE	ENCUADERNADOR P (NEGRO) 2MT.	PROFILE
19	338020	SAFETY INSTR.LABEL EN (FOR USA AND CANADA ONLY)	ETIQUETA INSTR. SEGURIDAD EN (SOLO PARA USA Y CANADA)	ETIQUETTE INSTR.SECURITE EN (SEULEMENT POUR USA ET CANADA)
20	343046	SAFETY INSTR.LABEL JA (FOR JAPAN)	ETIQUETA INSTR. SEGURIDAD JA (SOLO JAPON)	ETIQUETTE INSTR.SECURITE JA (SEULEMENT JAPON)
21	333294	SCREW T25 AR.18ESTR.M 6X15 INOX	TORNILLO ALOM.T25 M 6X15 INOX(ESPECIA	VIS T25 AR.18ESTR.M 6X15 INOX
22	132043	SELF-LOCKING NUT DIN985-8 B.TRI.M 4	TUER.AUTOBL.DIN985-8 B.TRI.M 4	ECROU AUTOBLOCANT DIN985-8 B.TRI.M 4
23	176834	SELF-LOCKING NUT DIN985-8 B.TRI.M6	TUER.AUTOBL.DIN985-8 B.TRI.M6	ECROU AUTOBLOCANT DIN985-8 B.TRI.M6
24	587816	START-STOP LABEL	ETIQUETA MARCHA-PARO	ETIQUETTE MARCHE-ARRET
25	590356	START-STOP LABEL JA (FOR JAPAN)	ETIQUETA MARCHA-PARO JA (SOLO JAPON)	ETIQUETTE MARCHE-ARRET JA (SEULEMENT JAPON)
26	587519	SWITCH C1550AL	INTERRUPTOR C1550AL	INTERRUPTEUR C1550AL
27	422998	SWITCH PLATE	PLACA INTERRUPTOR	PLAQUE INTERRUPTEUR

N°	REF	DENOMINATION	DENOMINACIÓN	DENOMINATION
28	10147957	VELCOIN CIRCULAR 19 WHITE SANDWICH	VELCOIN REDONDO 19 BLANCO SANDWICH	VELCOIN ROUND 19 BLANC SANDWICH
29	327023	PLATE VIKING	PLACA VIKING	PLAQUE VIKING
30	149476	BICR.WASHER B DIN125-ST 4,3	ARAN.B DIN125-ST B.TRI. 4,3	RONDELLE B DIN125-ST BICR.4,3
31	149526	BICR.WASHER B DIN125-ST 6,4	ARAN.B DIN125-ST B.TRI. 6,4	BICR.WASHER B DIN125-ST 6,4
32	303719	WASHER-EXTRACTOR PLATE LC EN (FOR USA AND CANADA ONLY)	CARATULA LAVADORA LC EN (SOLO PARA USA Y CANADA)	PLAQUE LAVEUSE LC EN (SEULEMENT POUR USA ET CANADA)
33	342865	WASHER-EXTRACTOR PLATE LC JA (FOR JAPAN)	CARATULA LAVADORA LC JA (SOLO JAPON)	PLAQUE LAVEUSE LC JA (SEULEMENT JAPON)
34	192294	YELLOW RING	ARO AMARILLO	BAGUE JAUNE

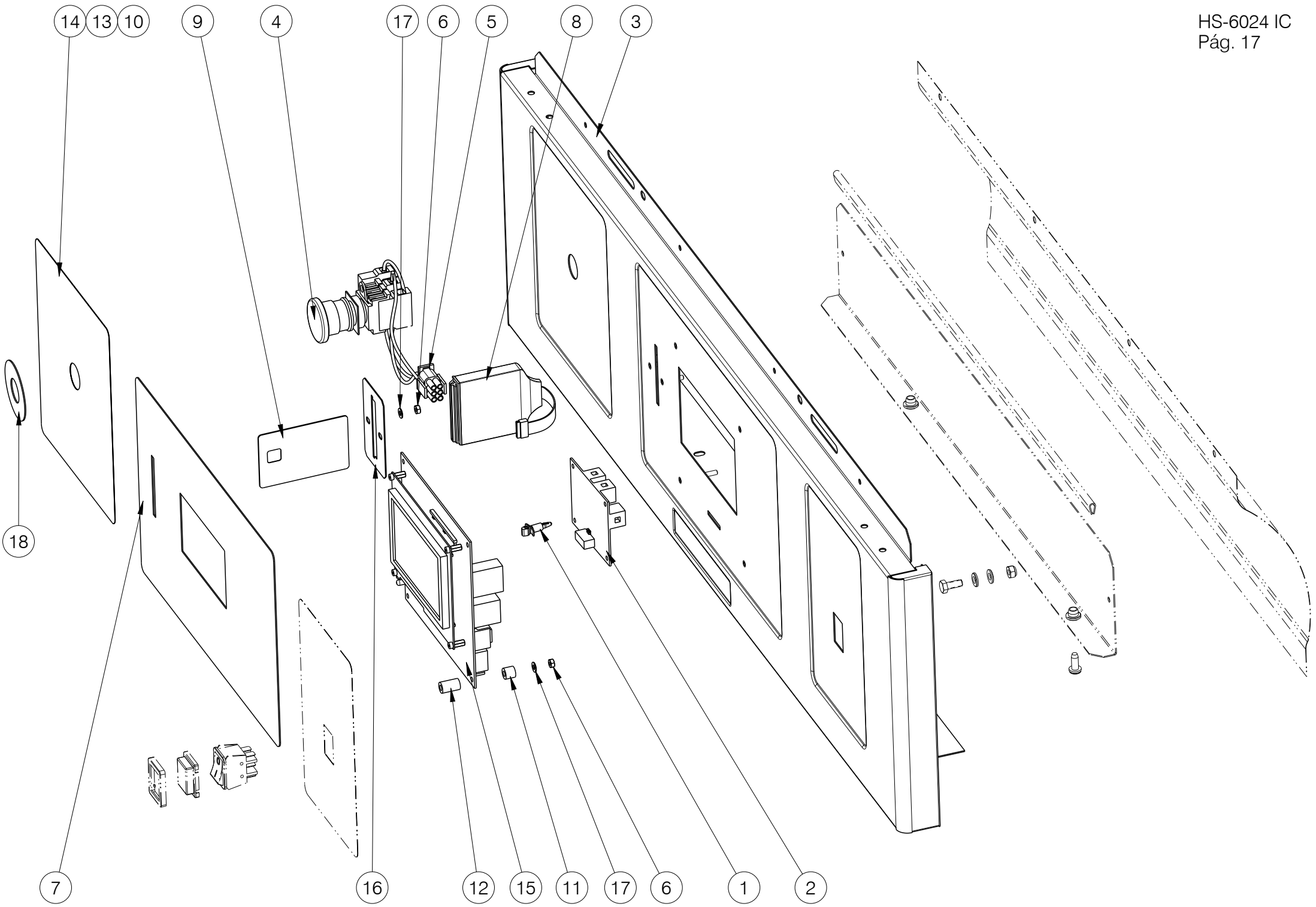


N°	REF	DENOMINATION	DENOMINACIÓN	DENOMINATION
1	428656	BLIND PLATE	PLACA CIEGA	PLAQUE AVEUGLE
2	433532	CARD READER PLATE	PLACA LECTOR TARJETA	PLAQUE LECTEUR CARTE
3	593517	COIN CONTROL EXTRA OP. WASHER KEYBOARD (FOR PROFITPLUS CONTROL MOD.) (FOR USA AND CANADA ONLY)	TECLADO LAVADORA CC EXTRA OP. (PARA MOD. PROFITPLUS CONTROL) (SOLO PARA USA Y CANADA)	CLAVIER LAVEUSE COIN CONTROL EXTRA OP. (POUR MOD. PROFITPLUS CONTROL) (SEULEMENT POUR USA ET CANADA)
4	10065480	CC EXTRA OP. WASHER KEYBOARD (FOR PROFITPLUS CONTROL MOD.) (EXCEPT FOR USA AND CANADA)	TECLADO LAVADORA CC EXTRA OP. (PARA MOD. PROFITPLUS CONTROL) (EXCEPTO PARA USA Y CANADA)	CLAVIER LAVEUSE CC EXTRA OP. (POUR MOD. PROFITPLUS CONTROL) (SAUF POUR USA ET CANADA)
5	10019461	CC EXTRA OP. WASHER KEYBOARD KO (FOR PROFITPLUS CONTROL MOD.) (ONLY KOREA)	TECLADO LAVADORA CC EXTRA OP. KO (PARA MOD. PROFITPLUS CONTROL) (SOLO COREA)	CLAVIER LAVEUSE CC EXTRA OP. KO (POUR MOD. PROFITPLUS CONTROL) (SEULEMENT CORÉE)
6	10017002	CC WASHER KEYBOARD	TECLADO LAVADORA CC	CLAVIER LAVEUSE CC
7	590570	COIN BOX SUPPORT	APOYO CAJON MONEDAS	APPUI BOITE MONNAIE
8	591586	COIN BOX UG800C	CAJA MONEDAS UG800C *	BOITE MONNAIE UG800C
9	327353	COIN-METER EMP 500 EUROS	MONEDERO EMP 500 EUROS	MANNAYEUR EMP 500 EUROS
10	411223	COIN-METER EMP 500 NOT EUROS	MONEDERO EMP 500 NO EUROS	MONNAYEUR EMP 500 NO EUROS
11	323741	COIN-METER F60.1 0,20/2,00EUR	MONEDERO F60.1 0,20/2,00EUR	MONNAYEUR F60.1 0,20/2,00EUR
12	326892	COIN-METER F60.1 0,25/1,00CAD	MONEDERO F60.1 0,25/1,00CAD	MONNAYEUR F60.1 0,25/1,00CAD
13	323659	COIN-METER F60.1 0,25/1,00USD	MONEDERO F60.1 0,25/1,00USD	MONNAYEUR F60.1 0,25/1,00USD
	530261	COIN-METER F60.1 0,25/1 USD THREAD BLOCK	MONEDERO F60.1 0,25/1 USD THREAD BLOCK	MONNAYEUR F60.1 0,25/1 USD THREAD BLOCK
14	326769	COIN-METER F60.1 0,50/1,00 GBP	MONEDERO F60.1 0,50/1,00GBP *	MONNAYEUR F60.1 0,50/1,00 GBP
15	326835	COIN-METER F60.1 1,00/5,00ILS	MONEDERO F60.1 1,00/5,00ILS *	MONNAYEUR F60.1 1,00/5,00 ILS
16	431007	COINMETER F60.1 100/500 JPY	MONEDERO F60.1 100/500 JPY *	MONNAYEUR F60.1 100/500 JPY
17	354035	COINMETER F60.1 10/50 NTD	MONEDERO F60.1 10/50NTD *	MONNAYEUR F60.1 10/50 NTD
18	524157	COIN-METER F60.11 500 WON	MONEDERO F60.11 500 WON*	MONNAYEUR F60.11 500 WON
19	323642	COIN-METER F60.11 0,25USD	MONEDERO F60.11 0,25USD	MONNAYEUR F60.11 0,25USD
	530253	COIN-METER F60.11 0,25USD THREAD BLOCKIN	MONEDERO F60.11 0,25USD THREAD BLOCKING	MONNAYEUR F60.11 0,25USD THREAD BLOCKING
20	326777	COIN-METER F60.11 100YEN	MONEDERO F60.11 100YEN *	MONNAYEUR F60.11 100YEN
21	344622	COIN-METER F60.11 10NTD	MONEDERO F60.11 10NTD *	MONNAYEUR F60.11 10NTD
22	10098655	COIN METER F60.11 TOKEN ECO MALAYSIA	MONEDERO F60.11 FICHA ECO MALASIA	MONNAYEUR F60.11 JETON ECO MALASIA
23	323733	COIN-METER F60.11W2000-TOKEN G	MONEDERO F60.11 FICHA GIRBAU *	MONNAYEUR F60.11W2000 JETON GI

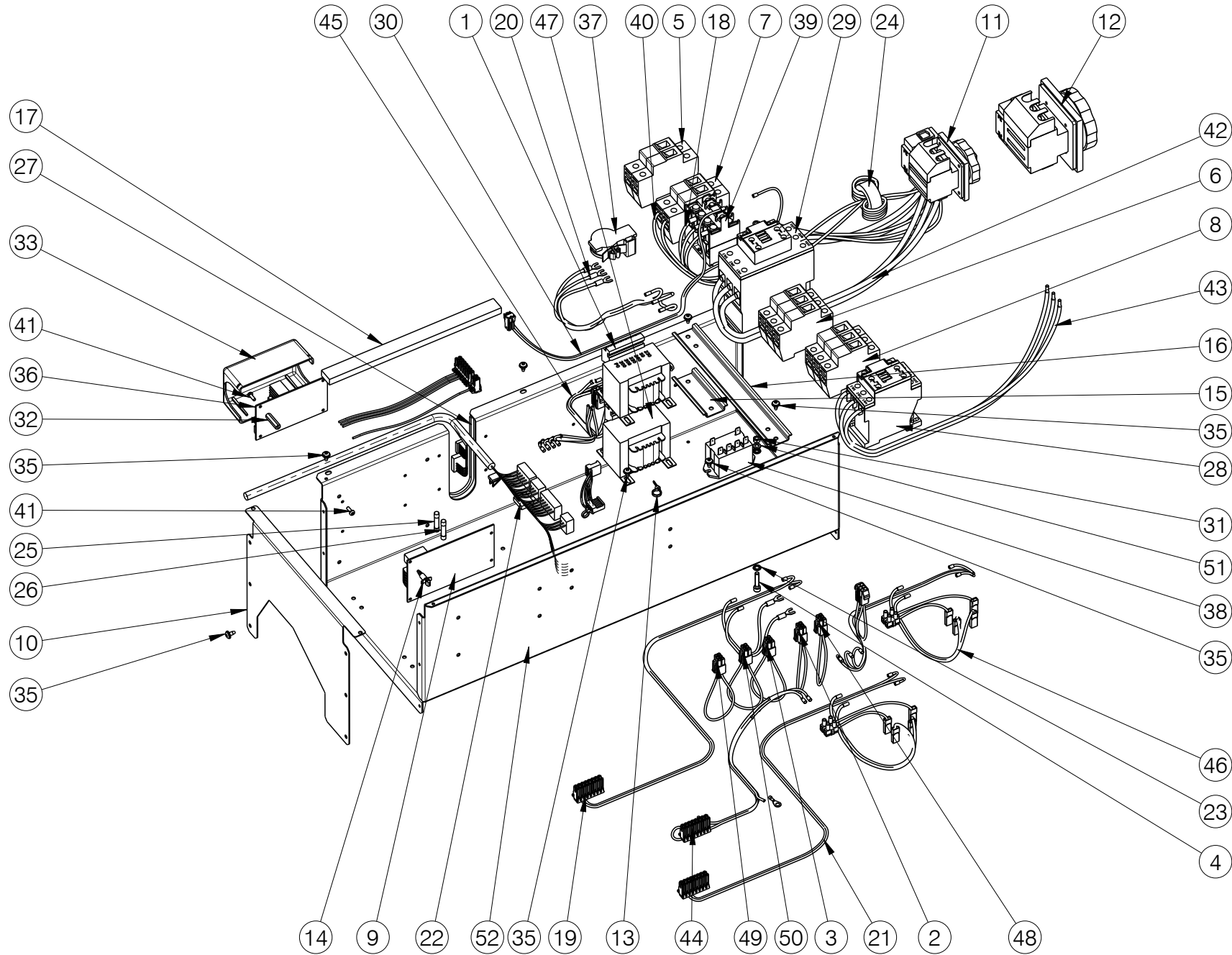


N°	REF	DENOMINATION	DENOMINACIÓN	DENOMINATION
24	592774	COINMETER LABEL CC-MD NTD	ETIQUETA MONEDERO CC-MD NTD	ETIQUETTE MONNAYEUR CC-MD NTD
25	592808	COINMETER LABEL CC-MD EUR	ETIQUETA MONEDERO CC-MD EUR	ETIQUETTE MONNAYEUR CC-MD EUR
26	592790	COINMETER LABEL CC-MD GBP	ETIQUETA MONEDERO CC-MD GBP	ETIQUETTE MONNAYEUR CC-MD GBP
27	592782	COINMETER LABEL CC-MD NIS	ETIQUETA MONEDERO CC-MD NIS	ETIQUETTE MONNAYEUR CC-MD NIS
28	592717	COINMETER LABEL CC-MD USD	ETIQUETA MONEDERO CC-MD USD	ETIQUETTE MONNAYEUR CC-MD USD
29	592766	COINMETER LABEL CC-MD YEN	ETIQUETA MONEDERO CC-MD YEN	ETIQUETTE MONNAYEUR CC-MD YEN
30	592758	COINMETER LABEL CC-MS-25C	ETIQUETA MONEDERO CC-MS-25C	ETIQUETTE MONNAYEUR CC-MS-25C
31	592741	COINMETER LABEL CC-MS YEN	ETIQUETA MONEDERO CC-MS YEN	ETIQUETTE MONNAYEUR CC-MS YEN
32	592733	COINMETER LABEL CC-MS-FG	ETIQUETA MONEDERO CC-MS-FG	ETIQUETTE MONNAYEUR CC-MS-FG
33	592725	COINMETER LABEL CC-MU	ETIQUETA MONEDERO CC-MU	ETIQUETTE MONNAYEUR CC-MU
34	322461	COIN-METER 1 PLUG	CONECTORA 1 MONEDERO	CONNECTEUR 1 MONNAYEUR
35	322453	COIN-METER 2 PLUG	CONECTORA 2 MONEDERO	CONNECTEUR 2 MONNAYEURS
36	411678	COIN-METER PLUG (WITH PUSH-BUTTON)	CONECTORA MONEDERO (CON PULSADOR)	CONNECTEUR MONNAYEUR (AVEC BOUTON-POUSSOIR)
37	341990	EMERGENCY STOP PLUG	CONECTORA PARO EMERGENCIA	CONNECTEUR ARRET EMERGENCE
38	10568681	LABEL	ETIQUETA	ÉTIQUETTE
39	594481	MICROP. BOARD MS-6 LC/CC	PLACA MICROP.MS-6 LC/CC	PLAQUE MICROP. MS-6 LC/CC
40	303693	SAFETY INSTR.LABEL EN (FOR USA AND CANADA ONLY)	ETIQUETA INSTR. SEGURIDAD EN (SOLO PARA USA Y CANADA)	ETIQUETTE INSTR.SECURITE EN (SEULEMENT POUR USA ET CANADA)
41	343053	SAFETY INSTR.LABEL JA (FOR JAPAN)	ETIQUETA INSTR. SEGURIDAD JA (SOLO JAPON)	ETIQUETTE INSTR.SECURITE JA (SEULEMENT JAPON)
42	614677	SAFETY INSTR.LABEL KO (ONLY KOREA)	ETIQUETA INSTR. SEGURIDAD KO (SOLO COREA)	ETIQUETTE INSTR.SECURITE KO (SEULEMENT CORÉE)
43	129692	SELF-LOCKING NUT DIN985-8 B.TRI.M 3	TUER.AUTOBL.DIN985-8 B.TRI.M 3	ECROU AUTOBLOCANT DIN985-8 B.TRI.M 3
44	132043	SELF-LOCKING NUT DIN985-8 B.TRI.M 4	TUER.AUTOBL.DIN985-8 B.TRI.M 4	ECROU AUTOBLOCANT DIN985-8 B.TRI.M 4
45	429878	START-STOP LABEL CP (WITH PUSH-BUTTON)	ETIQUETA MARCHA-PARO CP (CON PULSADOR)	ETIQUETTE MARCHE-ARRET CP (AVEC BOUTON-POUSSOIR)
46	138339	PUSH-BUTTON C6061AL (WITH PUSH-BUTTON)	PULSADOR C6061AL * (CON PULSADOR)	BOUTON-POUSSOIR C6061AL (AVEC BOUTON-POUSSOIR)
47	422998	SWITCH PLATE (WITH PUSH-BUTTON)	PLACA INTERRUPTOR (CON PULSADOR)	PLAQUE INTERRUPTEUR (AVEC BOUTON-POUSSOIR)
48	149484	WASHER DIN 125B M3 ST TRIVALENT	ARANDELA DIN 125B M3 ST TRIVALENTE	RONDELLE DIN 125B M3 ST TRIVALENT

N°	REF	DENOMINATION	DENOMINACIÓN	DENOMINATION
49	149476	BICR.WASHER B DIN125-ST 4,3	ARAN.B DIN125-ST B.TRI. 4,3	RONDELLE B DIN125-ST BICR.4,3
50	342857	WASHER-EXTRACTOR PLATE CC JA (FOR JAPAN)	CARATULA LAVADORA CC JA (SOLO JAPON)	PLAQUE LAVEUSE CC JA (SEULEMENT JAPON)
51	10552263	WASHER-EXTRACTOR PLATE CC KO (ONLY KOREA)	CARATULA LAVADORA CC KO (SOLO COREA)	PLAQUE LAVEUSE CC KO (SEULEMENT CORÉE)
		WITHOUT ILLUSTRATION	SIN ILUSTRACION	SANS ILLUSTRATION
796839		VENDING VN SERIE 6 SET	KIT VENDING VN SERIE 6	KIT VENDING VN SERIE 6
630426		KIT PROFIT PLUS RMS613/17/23/HS-6024 (EXCEPT FOR USA AND CANADA)	KIT PROFIT PLUS RMS613/17/23/HS-6024 (EXCEPTO PARA USA Y CANADA)	KIT PROFIT PLUS RMS613/17/23/HS-6024 (SAUF POUR USA ET CANADA)



N°	REF	DENOMINATION	DENOMINACIÓN	DENOMINATION
1	332809	CIRCUIT BRACKET LCBS-4-7-01	SOPORTE CIRCUITO LCBS-4-7-01	SUPPORT CIRCUIT LCBS-4-7-01
2	565895	COMMUNICATION BOARD COM-C *	PLACA COMUNICACIONES COM-C *	PLAQUE COMMUNICATIONS COM-C/609164
3	590729	CONTROL PANEL	PANEL DE MANDOS	PANNEAU DE COMMANDES
4	341511	EMERGENCY STOP IC	PARO EMERGENCIA IC	ARRET EMERGENCE IC
5	342014	EMERGENCY STOP PLUG	CONECTORA PARO EMERGENCIA	CONNECTEUR ARRET EMERGENCE
6	150185	BICR.HEX.NUT DIN934-8 M4	TUER.EX.DIN934-8 B.TRI.M 4	ECROU HEX.DIN934-8 BICR.M4
7	338046	IC WASHER EXTRACTOR KEYBOARD	TECLADO LAVADORA IC	CLAVIER MACHINE A LAVER IC
8	10006237	INTELI CARD SOCKET ASSEMBLY	CONJUNTO ZÓCALO TARJETA INTELI	ENSEMBLE LOGEMENT CARTE INTELI
9	340539	INTELI SMARTCARD CARD	TARJETA SMARTCARD INTELI	CARTE SMARTCARD INTELI
10	10699163	LABEL	ETIQUETA	ÉTIQUETTE
11	322768	MICRO BOARD SEPARATOR	SEPARADOR PLACA MICRO	SEPARATEUR PLAQUE MICRO
12	595678	MICRO BOARD SEPARATOR	SEPARADOR PLACA MICRO	SEPARATEUR PLAQUE MICRO
13	338020	SAFETY INSTR.LABEL EN (FOR USA AND CANADA ONLY) (ONLY KOREA)	ETIQUETA INSTR. SEGURIDAD EN (SOLO PARA USA Y CANADA) (SOLO COREA)	ETIQUETTE INSTR.SECURITE EN (SEULEMENT POUR USA ET CANADA) (SEULEMENT CORÉE)
14	343046	SAFETY INSTR.LABEL JA (FOR JAPAN)	ETIQUETA INSTR. SEGURIDAD JA (SOLO JAPON)	ETIQUETTE INSTR.SECURITE JA (SEULEMENT JAPON)
15	506808	SCREEN KIT LCD IC	CONJUNTO PANTALLA LCD IC	ENSEMBLE ÉCRAN LCD IC
	10129310	MICROPROCESSOR BOARD IC AQUATOUGH	PLACA MICROPROCESADOR IC AQUATOUGH	CARTE MICROPROCESSEUR IC AQUATOUGH
	10241396	MICROPROCESSOR BOARD IC ALLWET	PLACA MICROPROCESADOR IC ALLWET	CARTE MICROPROCESSEUR IC ALLWET
	10080596	ADVANCE IC LCD SCREEN ASSEMBLY	CONJUNTO PANTALLA LCD IC ADVANCE	ENSEMBLE ÉCRAN LCD IC ADVANCE
16	423020	CARD FIXING-PIECE SMARTCARD	FIJACION TARJETA SMARTCARD	FIXATION TARGETTE SMARTCARD
17	149476	BICR.WASHER B DIN125-ST 4,3	ARAN.B DIN125-ST B.TRI. 4,3	RONDELLE B DIN125-ST BICR.4,3
18	192294	YELLOW RING	ARO AMARILLO	BAGUE JAUNE

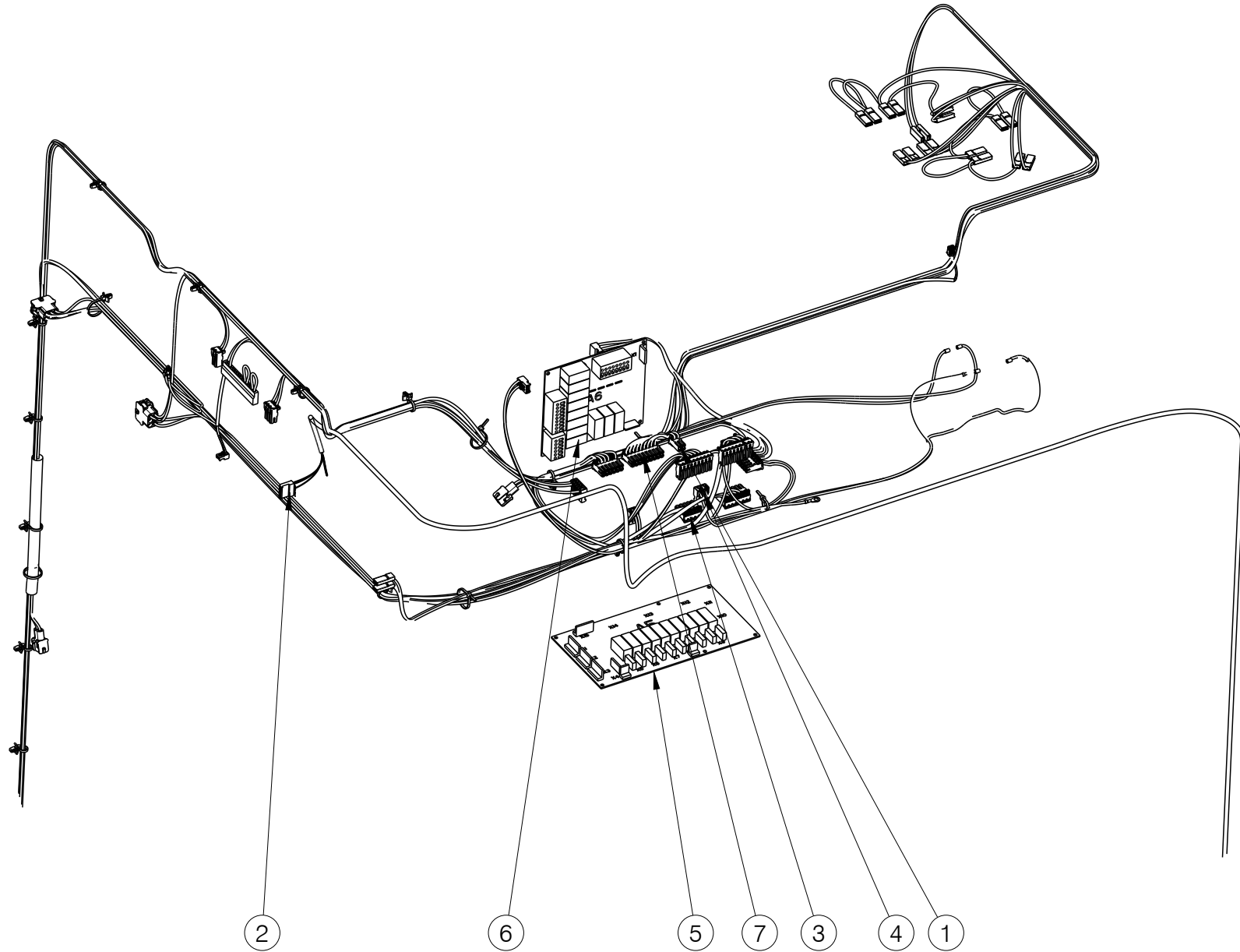


N°	REF	DENOMINATION	DENOMINACIÓN	DENOMINATION
1	320614	TRANSFORMER IP00 100 VA CSA (HS-6024)	TRANSFORMADOR IP00 100 VA CSA* (HS-6024)	TRANSFORMATEUR IP00 100 VA CSA (HS-6024)
2	10102994	(200-208)V VOLTAGE CONNECTOR (HS-6024) (FOR 200V-208V-220V-230V-240V)	CONECTORA VOLTAJE (200-208)V (HS-6024) (PARA 200V-208V-220V-230V-240V)	CONNECTEUR TENSION (200-208)V (HS-6024) (POUR 200V-208V-220V-230V-240V)
3	10104370	220V-230V-240V VOLTAGE CONNECTOR (HS-6024) (FOR 380V-400V-415V)	CONECTORA VOLTAJE 220V-230V-240V (HS-6024) (PARA 380V-400V-415V)	CONNECTEUR TENSION 220V-230V-240V (HS-6024) (POUR 380V-400V-415V)
4	144295	BICR.SCREW ALLEN912-8.8 M 5X25	TOR.ALDDIN912-8.8 B.TRI.M 5X25	VIS ALLDIN912-8.8 BICR.M 5X 25
5	544411	AUTOMATIC SWITCH 0,5A (FOR 380V-400V-415V-440V-480V)	INTERRUPTOR AUT. 0,5A CURVA D* (PARA 380V-400V-415V-440V-480V)	INTERRUPTEUR AUT.0,5A (POUR 380V-400V-415V-440V-480V)
6	544429	AUTOMATIC SWITCH 10A (FOR MACHINES ELECTR.HEATING) (FOR 200V-208V-220V-230V-240V)	INTERRUPTOR AUT. 10A CURVA D* (PARA MODELOS CALEFAC.ELECTR.) (PARA 200V-208V-220V-230V-240V)	INTERRUPTEUR AUT.10A (POUR MACHINES CHAUF.ELECTR.) (POUR 200V-208V-220V-230V-240V)
7	518167	AUTOMATIC SWITCH 1A (FOR 200V-208V-220V-230V-240V)	INTERRUPTOR AUT. 1A CURVA D* (PARA 200V-208V-220V-230V-240V)	INTERRUPTEUR AUT.1A (POUR 200V-208V-220V-230V-240V)
8	518209	AUTOMATIC SWITCH 6A (FOR MACHINES ELECTR.HEATING) (FOR 380V-400V-415V)	INTERRUPTOR AUT.6A CURVA D* (PARA MODELOS CALEFAC.ELECTR.) (PARA 380V-400V-415V)	INTERRUPTEUR AUT.6A (POUR MACHINES CHAUF.ELECTR.) (POUR 380V-400V-415V)
9	332395	AUXILIARY BOARD HS-60**	PLACA AUXILIAR HS-60**	PLAQUE AUXILIAIRE HS-60**
10	10740884	BOX REINFORCEMENT	REFUERZO CAJA	RENFORT CAISSE
11	344176	SECTION SWITCH 32A (FOR MACHINES ELECTR.HEATING) (FOR 3PH) (FOR MOD. HOT WATER/STEAM)	INTERRUPTOR SECCIONADOR 32A (PARA MODELOS CALEFAC.ELECTR.) (PARA 3PH) (PARA MOD.AGUA CALIENTE/VAPOR)	INTERRUPTEUR SECTIONNEUR 32A (POUR MACHINES CHAUF.ELECTR.) (POUR 3PH) (POUR MOD.EAU CHAUDE/VAPEUR)
12	344168	SECTION SWITCH 63A (FOR MACHINES ELECTR.HEATING) (FOR 1PH)	INTERRUPTOR SECCIONADOR 63A (PARA MODELOS CALEFAC.ELECTR.) (PARA 1PH)	INTERRUPTEUR SECTIONNEUR 63A (POUR MACHINES CHAUF.ELECTR.) (POUR 1PH)
13	140434	CLAMP 2221	BRIDA UNEX 2221 *	BRIDE 2221
14	332809	CIRCUIT BRACKET LCBS-4-7-01	SOPORTE CIRCUITO LCBS-4-7-01	SUPPORT CIRCUIT LCBS-4-7-01
15	121640	CONTACTORS FIXING PROFILE	PERFIL FIJACION CONTACTORES	PROFILE FIXATION CONTACTEURS
16	245571	CONTACTOR FIXING PROFILE	PERFIL FIJACION CONTACTORES	PROFILE FIXATION CONTACTEURS
17	439000	COVER ABSORBER PROFILE	PERFIL AMORTIGUADOR TAPA	PROFILE AMORTISSEUR COUVERCLE
18	614941	ELEC.INS.FILTER INLET (FOR 3PH)	INST. ELEC. ENTRADA VARIADOR (PARA 3PH)	INST.ELEC.ENTREE FEUTRE (POUR 3PH)
19	613224	WITHOUT TRANSFORMER ELECTRICAL INSTALATI	INSTALACIÓN ELÉCTRICA SIN TRANSFORMADOR	INST. ELEC SANS TRANSFORMATEUR
20	10009207	ELECTRICAL WIRING	INSTALACIÓN ELÉCTRICA	INSTALLATION ÉLECTRIQUE

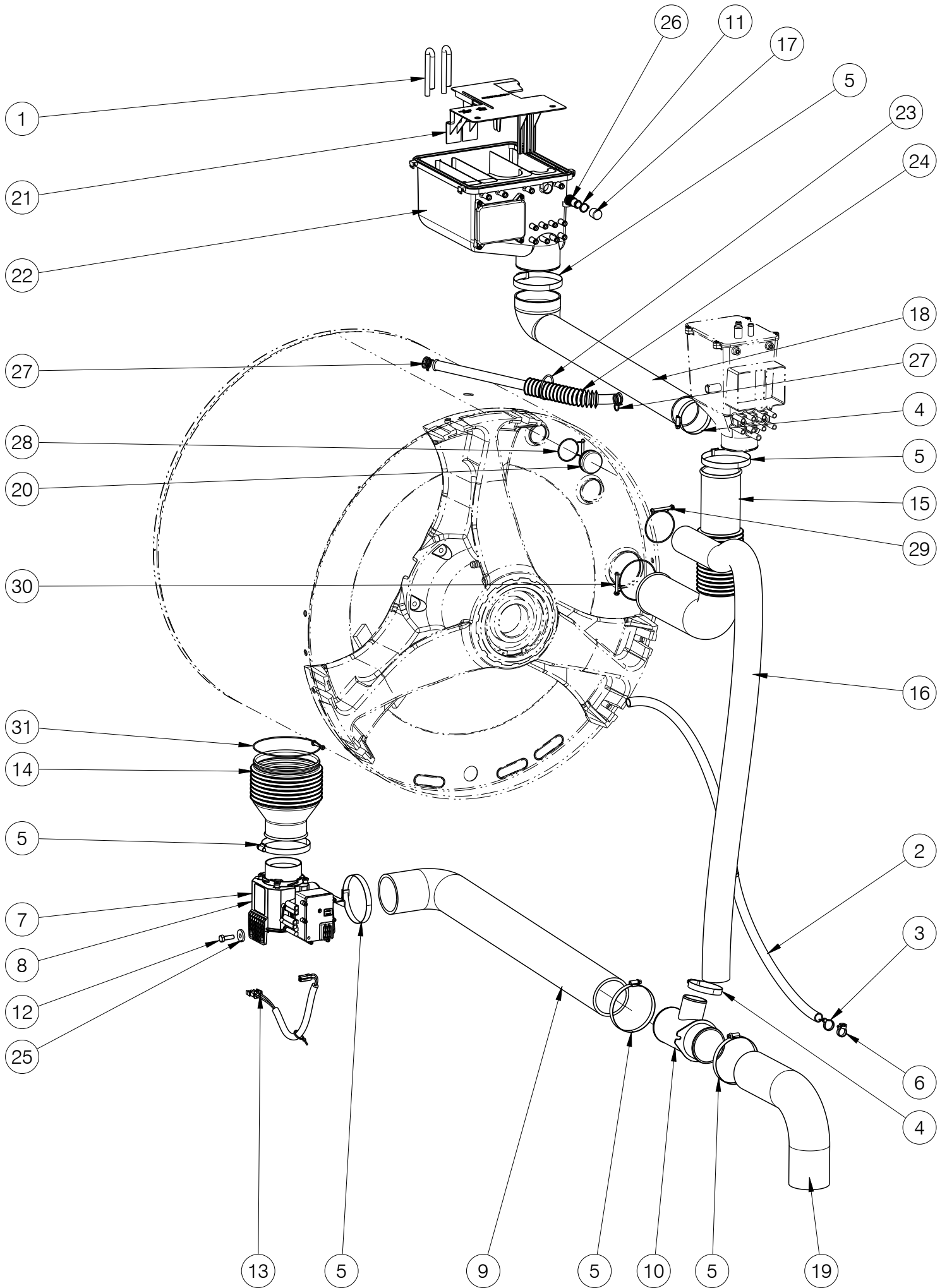
N°	REF	DENOMINATION	DENOMINACIÓN	DENOMINATION
		(FOR MACHINES ELECTR.HEATING)	(PARA MODELOS CALEFAC.ELECTR.)	(POUR MACHINES CHAUF.ELECTR.)
21	10023778	ELECTRICAL WIRING (EH060)	INSTALACION ELECTRICA (EH060)	INSTALLATION ELECTRIQUE (EH060)
22	10040152	ELECTRICAL WIRING (FOR MOD. LOGI/COIN CONTROL)	INSTALACIÓN ELÉCTRICA (PARA MOD. LOGI/COIN CONTROL)	INSTALLATION ÉLECTRIQUE (POUR MOD. LOGI/COIN CONTROL)
23	149724	BICR EXT.TOOT.WASH.DIN6798 M5	ARAN.DEN.EXT.B.TRI.DIN6798M 5	RONDEL DEN.EX.BICR.DIN6798 M5
24	508317	FERRITE 40X24 *	FERRITA 40X24 *	FERRITE 40X24 *
25	319152	FUSE SPT 0001.2521 0,5A	CART.FUSIB.SPT 0001.2521 0,5A*	CARTOUCHE FUSIBLE SPT
26	321125	FUSE SPT 1 A	CART.FUSIB.SPT 0001.2524 1 A*	CARTOUCHE FUS. SPT 1 A
27	341438	CASTING MGS-1-01	MOLDURA MGS-1-01	MOULE MGS-1-01
28	10054948	HEATING CONTACTOR WIRES (FOR MACHINES ELECTR.HEATING) (FOR 380V-400V-415V)	CABLES CONTACTOR CALEFACCION (PARA MODELOS CALEFAC.ELECTR.) (PARA 380V-400V-415V)	CABLES CONTACTEUR CHAUFFAGE (POUR MACHINES CHAUF.ELECTR.) (POUR 380V-400V-415V)
29	10045060	HEATING CONTACTOR WIRES (FOR MACHINES ELECTR.HEATING) (FOR 200,208,220 AND 240V)	CABLES CONTACTOR CALEFACCION (PARA MODELOS CALEFAC.ELECTR.) (PARA 200,208,220 Y 240V)	CABLES CONTACTEUR CHAUFFAGE (POUR MACHINES CHAUF.ELECTR.) (POUR 200,208,220 ET 240V)
30	10069151	HEATING RELAY ELECTRICAL INSTALLATION (FOR MOD. LOGI/COIN CONTROL) (FOR MACHINES ELECTR.HEATING)	INSTALACIÓN ELÉCTRICA RELÉ CALEFACCIÓN (PARA MOD. LOGI/COIN CONTROL) (PARA MODELOS CALEFAC.ELECTR.)	INST.ELEC.RELAIS CHAUFFAGE (POUR MOD. LOGI/COIN CONTROL) (POUR MACHINES CHAUF.ELECTR.)
31	150177	BICR HEX NUT DIN934-8 M5	TUER.EX.DIN934-8 B.TRI.M 5	ECROU HEX DIN934-8 BIC.M5
32	322685	SEPARATOR HEX.HS6-8	SEPARADOR EXAGONAL HS6-8	SEPARATEUR HEX. HS6-8
33	326843	MICROPROCESSOR PLATE COVER	TAPA PLACA MICROPROCESADOR	COUVERCLE PLAQUE MICROPROSSEUR
34	430025	OUTER DOSING LABEL	ETIQUETA DOSIFICACION EXTERIOR	ÉTIQUETTE DOSAGE EXTÉRIEURE
35	183400	PLATE SCREW ST-4, 20 P.F. C/AL.T25	TORNILLO CHAPA ST-4 (ESPECIAL)*	VIS PLAQUE ST-4, 20 P.F. C/AL.T25
36	332718	POWER SOURCE MW PS-25-12	FUENTE ALIMENT.MW PS-25-12	FONT ALIMENT.MW PS-25-12
37	322784	PRESSURE TRANSMITTER 400.95100	TRANSM.PRESION HUBA 400.95100	PRESSOSTAT HUBA 400.95100
38	322701	RELAY 12VDC (FOR MOD. HOT WATER/STEAM) (FOR 200V-208V-220V-230V-240V) (FOR 1PH)	RELE 12VDC* (PARA MOD.AGUA CALIENTE/VAPOR) (PARA 200V-208V-220V-230V-240V) (PARA 1PH)	RELAIS 12VDC (POUR MOD.EAU CHAUDE/VAPEUR) (POUR 200V-208V-220V-230V-240V) (POUR 1PH)
39	357921	RELAY OMRON G7Z-3A1B-20Z 12VDC (FOR 3PH)	RELE OMRON G7Z-3A1B-20Z 12VDC (PARA 3PH)	RELAIS OMRON G7Z-3A1B-20Z 12VDC (POUR 3PH)
40	10009157	RELAY INPUT ELECTRICAL INSTALLATION (FOR MOD. HOT WATER/STEAM) (FOR 200V-208V-220V-230V-240V) (FOR 1PH)	INSTALACION ELECTRICA ENTRADA RELE (PARA MOD.AGUA CALIENTE/VAPOR) (PARA 200V-208V-220V-230V-240V) (PARA 1PH)	INSTALLATION ELECTRIQUE ENTREE RELAYS (POUR MOD.EAU CHAUDE/VAPEUR) (POUR 200V-208V-220V-230V-240V) (POUR 1PH)

N°	REF	DENOMINATION	DENOMINACIÓN	DENOMINATION
41	322693	SCREW PT KN35X10 WN1412	TORNILLO PT KN35X10 WN1412 (ESPECIAL)	VIS PT KN35X10 WN1412
42	612606	CONTACTOR SUPPLY WIRES (FOR MACHINES ELECTR.HEATING)	CABLES ALIMENTACION CONTACTOR (PARA MODELOS CALEFAC.ELECTR.)	CABLES ALIMENTATION CONTACTEUR (POUR MACHINES CHAUF.ELECTR.)
43	612614	CONTACTOR SUPPLY WIRES (FOR MACHINES ELECTR.HEATING)	CABLES ALIMENTACION CONTACTOR (PARA MODELOS CALEFAC.ELECTR.)	CABLES ALIMENTATION CONTACTEUR (POUR MACHINES CHAUF.ELECTR.)
44	10003580	TRANSFORMER ELECICAL WIRING (HS-6024)	INSTALACIÓN ELÉCTRICA TRANSFORMADOR (HS-6024)	INSTALLATION ÉLECTRIQUE TRANSFORMATEUR (HS-6024)
45	10003788	TRANSFORMER ELECICAL WIRING (HS-6024) (FOR 3PH)	INSTALACIÓN ELÉCTRICA TRANSFORMADOR (HS-6024) (PARA 3PH)	INSTALLATION ÉLECTRIQUE TRANSFORMATEUR (HS-6024) (POUR 3PH)
46	10029221	TRANSFORMER ELECTRICAL WIRING (HS-6024) (FOR 1PH)	INSTALACION ELECTRICA TRANSFORMADOR (HS-6024) (PARA 1PH)	INSTALLATION ELECTRIQUE TRANSFORMATEUR (HS-6024) (POUR 1PH)
47	320218	TRANSFORMER IP 100 VA (HS-6024) (FOR 3PH)	TRANSFORMADOR IP00 100VA CSA * (HS-6024) (PARA 3PH)	TRANSFORMATEUR IP00 100 VA (HS-6024) (POUR 3PH)
48	10104511	VOLTAGE CONNECTOR 380V-400V (HS-6024) (FOR 3PH) (FOR 380V-400V-415V-440V-480V)	CONECTOR VOLTAJE 380V-400V (HS-6024) (PARA 3PH) (PARA 380V-400V-415V-440V-480V)	CONNECTEUR DE TENSION 380V-400V (HS-6024) (POUR 3PH) (POUR 380V-400V-415V-440V-480V)
49	10104529	VOLTAGE CONNECTOR 415V (HS-6024) (FOR 3PH) (FOR 380V-400V-415V-440V-480V)	CONECTORA VOLTAJE 415V (HS-6024) (PARA 3PH) (PARA 380V-400V-415V-440V-480V)	CONNECTEUR DE TENSION 415V (HS-6024) (POUR 3PH) (POUR 380V-400V-415V-440V-480V)
50	10104545	VOLTAGE CONNECTOR 440V-480V (HS-6024) (FOR 3PH) (FOR 380V-400V-415V-440V-480V)	CONECTORA VOLTAJE 440V-480V (HS-6024) (PARA 3PH) (PARA 380V-400V-415V-440V-480V)	CONNECTEUR DE TENSION 440V-480V (HS-6024) (POUR 3PH) (POUR 380V-400V-415V-440V-480V)
51	149534	BICR.WASHER B DIN125-ST 5,3	ARAN.B DIN125-ST BICR. 5,3	RONDELLE B BICR.DIN125-ST 5,3
52	598037	ELECTRIC BOX	CAJA ELECTRICA	COFFRET ELECTRIQUE



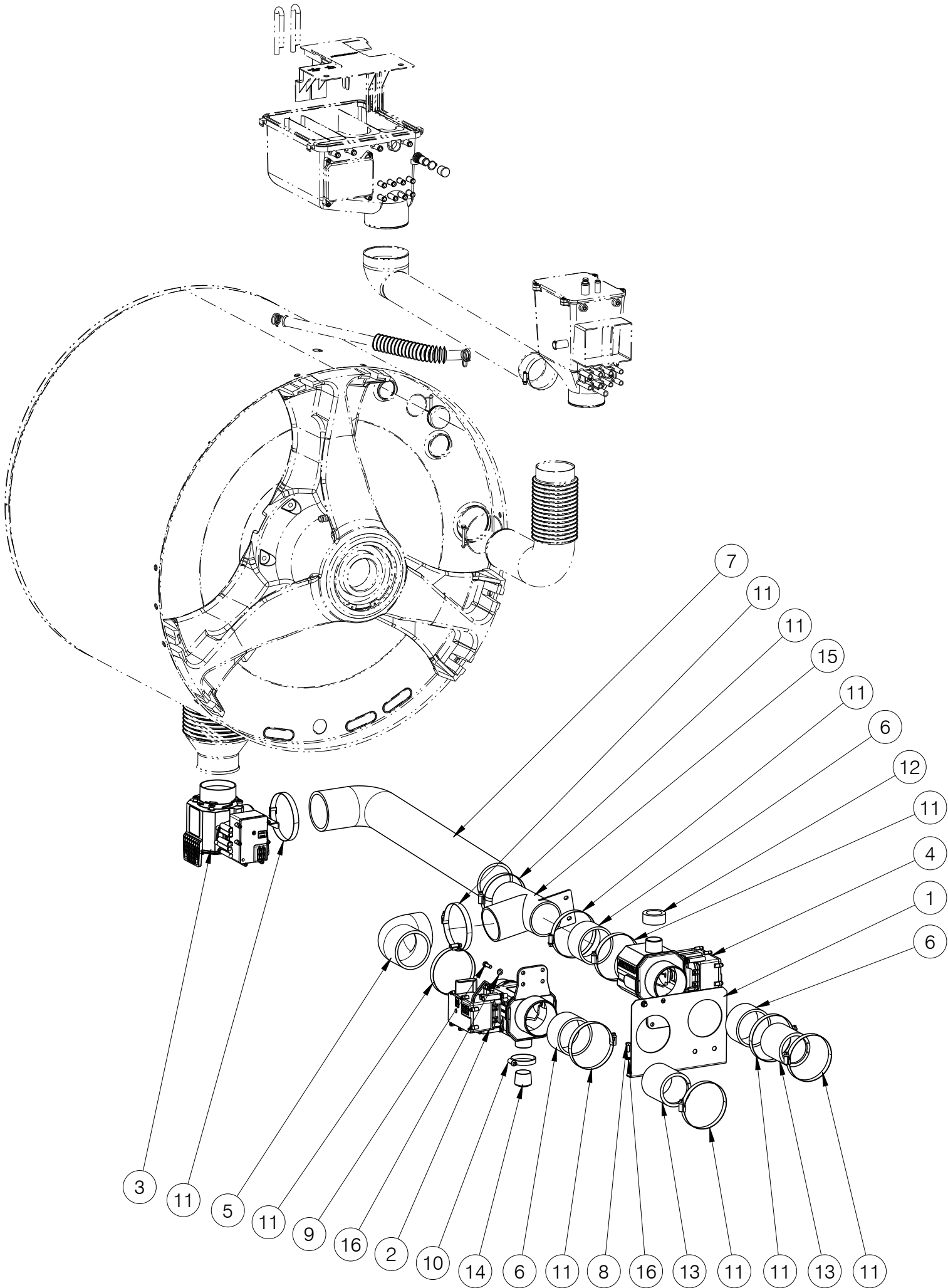


N°	REF	DENOMINATION	DENOMINACIÓN	DENOMINATION
1	610675	ELEC. INSTALLATION 3rd ENTRANCE WATER	INST. ELEC. 3ª ENTRADA AGUA	INST. ELECTRIQUE 3eme ENTREE EAU
2	10016517	ELECTRICAL WIRING	INSTALACIÓN ELÉCTRICA	INSTALLATION ÉLECTRIQUE
3	10435220	ELECTRICAL WIRING	INSTALACIÓN ELÉCTRICA	INSTALLATION ÉLECTRIQUE
4	602904	HEATING RELAY ELECTRICAL WIRING	INSTALACIÓN ELÉCTRICA RELÉ CALEFACCIÓN	INSTALLATION ÉLECTRIQUE RELAIS CHAUFFAGE
5	353326	INTELI LABEL E/S-1/D	PLACA INTELI E/S-1/D	PLAQUE INTELI E/S-1/D
6	332544	INTELI BOARD E/S-2/A	PLACA INTELI E/S-2/A	PLAQUE INTELI E/S-2/4
7	610618	ELECTROVALVE ELEC. INSTALLATION	INST. ELEC. ELECTROVALVULAS	INST. ELEC. ELECTROVANNES

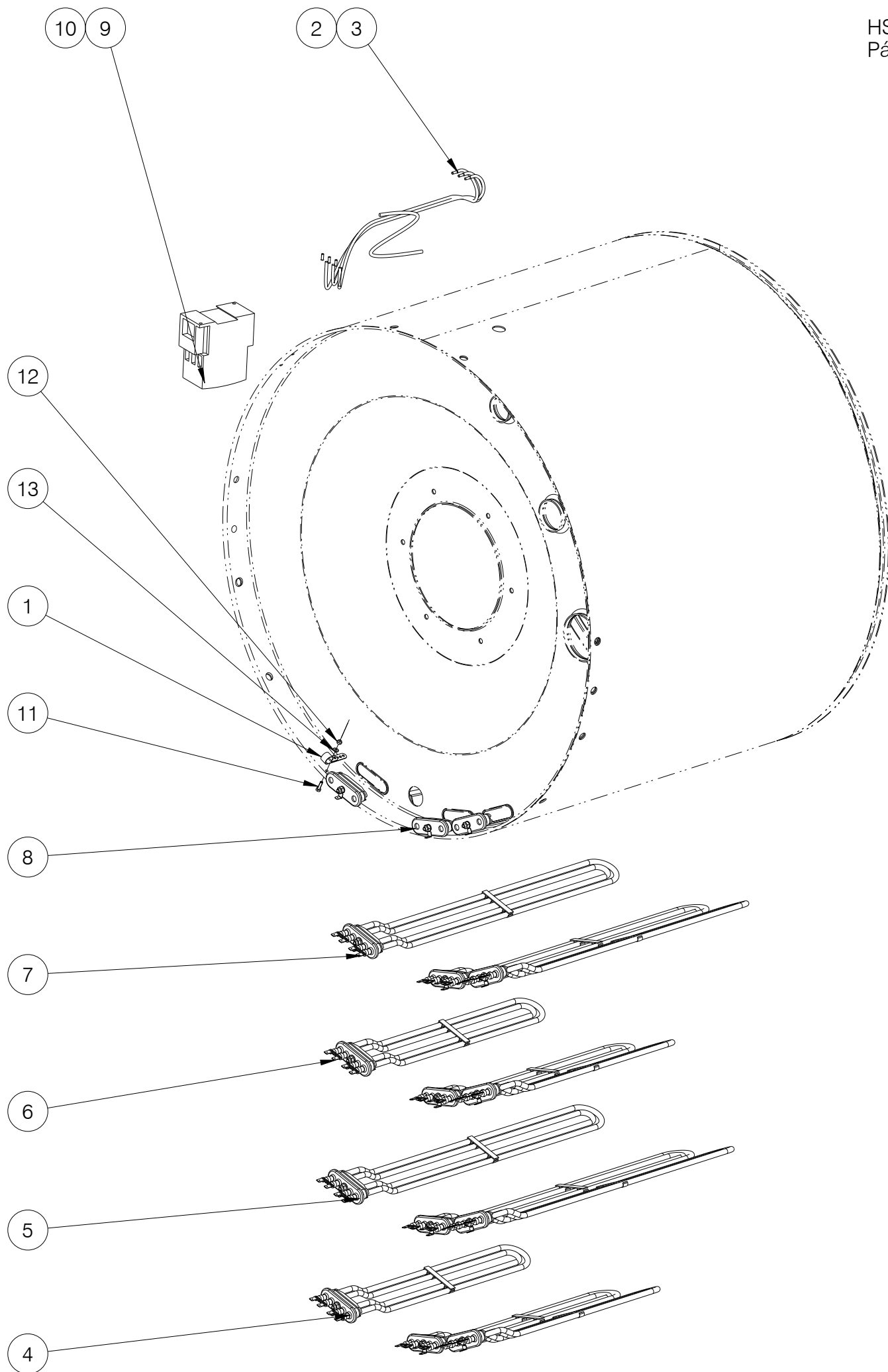


N°	REF	DENOMINATION	DENOMINACIÓN	DENOMINATION
1	339598	ASPIRATION HOSE	TUBO ASPIRACION	TUBE ASPIRATION
2	10020808	BEARING BOX DRAIN HOSE	TUBO DESAGÜE CAJA COJINETES	TUBE VIDANGE BOITE ROULEMENTS
3	140525	CLAMP 2244-0	BRIDA UNEX 2244-0 *	BRIDE 2244-0
4	132290	CLAMP 301730-8 D50-70	ABRAZADERA 301730-8 D50- 70	BRIDE 301730-8 D50-70
5	132340	CLAMP REF.30173380-2 D80-100	ABRAZADERA REF.30173380-2 D80-100	BRIDE REF.30173380-2 D80-100
6	323675	CLAMP NORMA 22HC0593	ABRAZADERA ø15,16-ø16,89	COLLIER NORMA 22HC0593
7	600569	DRAIN G3-C-90 (NORMALLY CLOSED)	DESAGÜE G3-C-90 (NORMALMENTE CERRADO)	VIDANGE G3-C-90 (NORMALEMENT FERME)
8	600544	DRAIN G3-O-90 (NORMALLY OPEN)	DESAGÜE G3-O-90 (NORMALMENTE ABIERTO)	VIDANGE G3-O-90 (NORMALEMENT OUVERT)
9	10135747	DRAIN HOSE	TUBO DESAGUE	TUBE VIDANGE
10	333575	DRAIN SLEEVE	MANGUITO DESAGÜE	FRETTE VIDANGE
11	131508	FLEXIBLE RING E-17 DIN 471	ANILLO ELASTICO E-17 DIN 471	BAGUE ELASTIQUE E-17 DIN 471
12	192849	BIC.HEX SCREW DIN933-8 M-8X25	TOR.EX.DIN933-8.8 B.TRI.M 8X25	VIS HEX.DIN933-8,8 BICR.M-8X25
13	602763	INST. ELEC. CONNECTOR-DRAIN	INST. ELEC. CONECTORA-DESAGÜE	INST. ELEC. CONNECTEUR-VIDANGE
14	353599	OUTER-DRUM COLLECTOR BELLOW	FUELLE DESAGÜE ENVOLVENTE	DURITE COLLECTEUR CUVE
15	593020	FUELLE COLECTOR ENVOLVENTE	FUELLE COLECTOR ENVOLVENTE	FUELLE COLECTOR ENVOLVENTE
16	611061	OVERFLOW HOSE	TUBO REBOSADERO	TUBE TROP-PLEIN
17	156687	CONICAL END-PIECE R-16 D16	TOPE CONICO REPRIMSA R-16 D16	ARRET CONIQUE R-16 D16
18	597914	RUBBER ELBOW 635X60	CODO GOMA 635X60	COUDE GOMME 635X60
19	163253	DRAIN OUTLET HOSE	TUBO SALIDA DESAGÜE	TUBE SORTIE VIDANGE
20	349902	RUBBER PLUG D42	TAPON GOMA D42	BOUCHON GOMME D42
21	344101	SOAP DOSING INSERTO (NORMALLY OPEN) (COIN CTRL MODELS ONLY)	INSERTO DOSIFICADOR (NORMALMENTE ABIERTO) (PARA MODELOS A COIN CONTROL)	INSERTO BAC A PRODUITS (NORMALEMENT OUVERT) (POUR MODELE COIN CONTROL)
22	511584	SOAP DISPENSER SET	CONJUNTO DOSIFICADOR	ENSEMBLE BAC A PRODUITS
23	330480	TORIC GASKET 29,2X35,2X3	JUNTA TORICA 29,2X35,2X3 *	JOINT TORIQUE 29,2X35,2X3
24	338889	VAPOUR OUTLET HOSE	TUBO DESVAPORIZADOR	TUBE SORTIE CONDENSATS
25	261529	WASHER 25X8,5X4	ARANDELA 25X8.5X4 TRIVALEN.	RONDELLE 25X8,5X4
26	321349	WATER INLET RACCORD	RACOR ENTRADA AGUA DIRECTA	RACCORD ENTREE EAU

N°	REF	DENOMINATION	DENOMINACIÓN	DENOMINATION
27	338897	CLAMP 20,2	ABRAZ. F.I.M. 20202 B20,2	BRIDE 20,2
28	350439	WASHER SWHCFS 4942	ABRAZ.ALAMBRE SWHCFS 4942	RONDELLE SWHCFS 4942
29	340505	WASHER SWHCFS 5850	ABRAZ.ALAMBRE SWHCFS 5850	RONDELLE SWHCFS 5850
30	333443	WASHER SWHCFS 8780	ABRAZ.ALAMBRE SWHCFS 8780	RONDELLE SWHCFS 8780
31	333450	WASHER D137XD2	ABRAZ.ALAMBRE D137XD2	RONDELLE D137XD2
		WITHOUT ILLUSTRATION	SIN ILUSTRACION	SANS ILLUSTRATION
618082		2nd DRAIN KIT 50/60 H24CC-LC (COIN CTRL MODELS ONLY) (LOGI CTRL MODELS ONLY)	KIT 2° DESAGÜE 50/60 H24CC-LC (PARA MODELOS A COIN CONTROL) (PARA MODELOS A LOGI CONTROL)	KIT 2° VIDANGE 50/60 H24CC-LC (POUR MODELE COIN CONTROL) (POUR MODELE LOGI CONTROL)
618074		2nd DRAIN KIT 50/60 HS-6024IC (FOR MOD. INTELI CONTROL)	KIT 2° DESAGÜE 50/60 HS-6024IC (PARA MOD. INTELI CONTROL)	KIT 2° VIDANGE 50/60 HS-6024IC (POUR MOD. INTELI CONTROL)



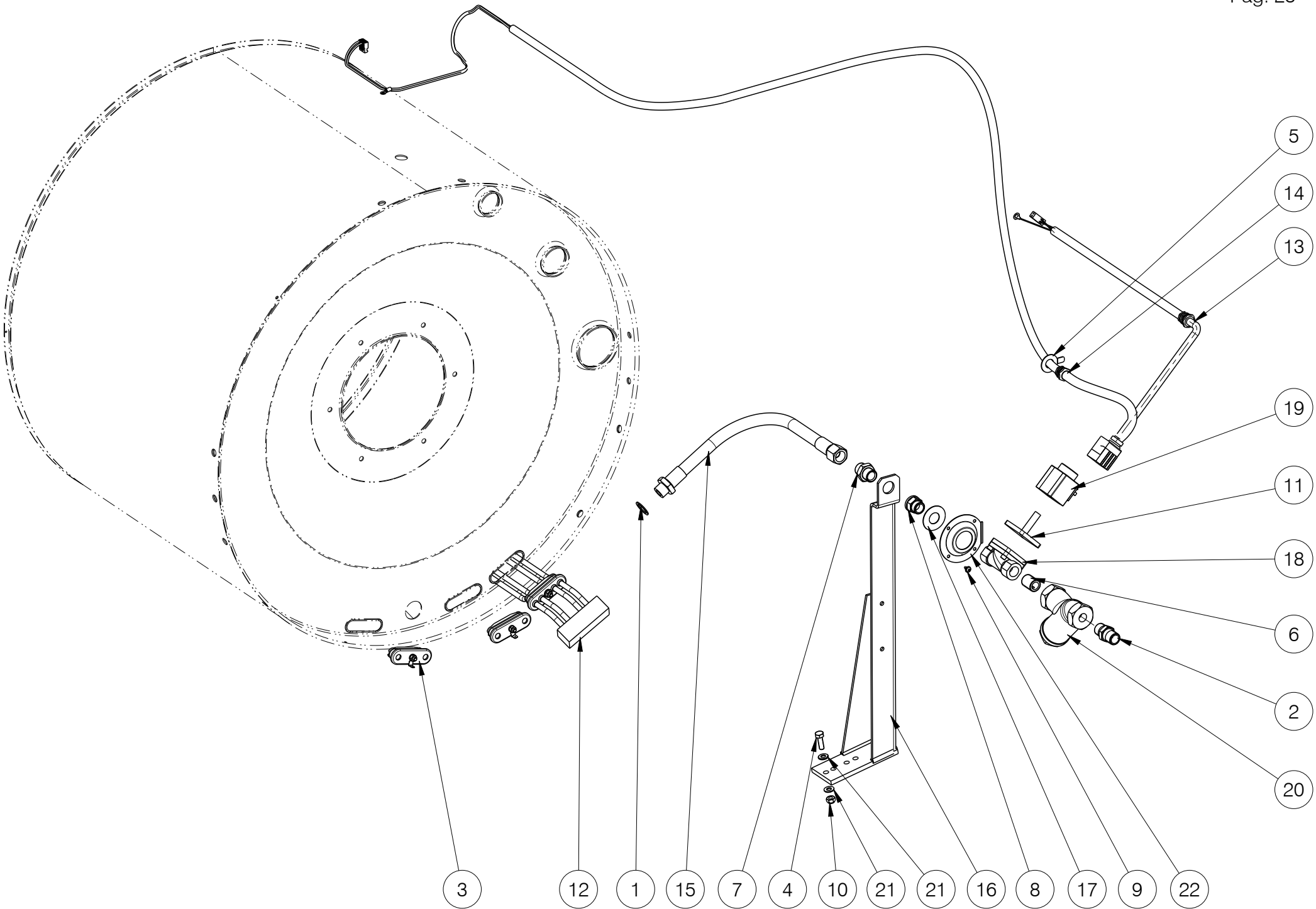
Nº	REF	DENOMINATION	DENOMINACIÓN	DENOMINATION
1	598631	DOUBLE DRAIN ASSEMBLY	CTO SOPORTE DOBLE DESAGÜE	ENSEMBLE SUPPORT DOUBLE VIDANGE
2	600577	DRAIN G3-C-180 (NORMALLY CLOSED)	DESAGÜE G3-C-180 (NORMALMENTE CERRADO)	VIDANGE G3-C-180 (NORMALEMENT FERME)
3	600544	DRAIN G3-O-90	DESAGÜE G3-O-90	VIDANGE G3-O-90
4	600551	DRAIN G3-O-180 (NORMALLY OPEN)	DESAGÜE G3-O-180 (NORMALMENTE ABIERTO)	VIDANGE G3-O-180 (NORMALEMENT OUVERT)
5	595066	DRAIN HOSE	TUBO DESAGUE	TUBE VIDANGE
6	595074	DRAIN HOSE	TUBO DESAGUE	TUBE VIDANGE
7	10022432	DRAIN HOSE	TUBO DESAGUE	TUBE VIDANGE
8	146233	BICR.HEX SCREW DIN933-8 M6X15	TOR.EX.DIN933-8.8 B.TRI.M 6X15	VIS HEX DIN933-8.8 BICR.M6X15
9	146316	BICR.HEX SCREW DIN933-8 M-6X20	TOR.EX.DIN933-8.8 B.TRI.M 6X20	VIX HEX BICR.DIN933-8.8 M-6X20
10	132282	CLAMP 32-50	ABRAZADERA 32- 50	BRIDE 32-50
11	132340	CLAMP REF.30173380-2 D80-100	ABRAZADERA REF.30173380-2 D80-100	BRIDE REF.30173380-2 D80-100
12	301853	OVERFLOW HOSE SUPPLEMENT	SUPLEMENTO TUBO REBOSADERO	SUPPLEMENT TUBE DEVERSOIR
13	194217	OBTURATOR HOSE	TUBO OBTURADOR	TUBE OBTURATEUR
14	135004	CONICAL END-PIECE REPRIMSA R16	TOPE CONICO REPRIMSA R-16 D30	ARRET CONIQUE REPRIMSA R16 D30
15	605881	UNION T	TE UNION	T UNION
16	149526	BICR.WASHER B DIN125-ST 6,4	ARAN.B DIN125-ST B.TRI. 6,4	BICR.WASHER B DIN125-ST 6,4





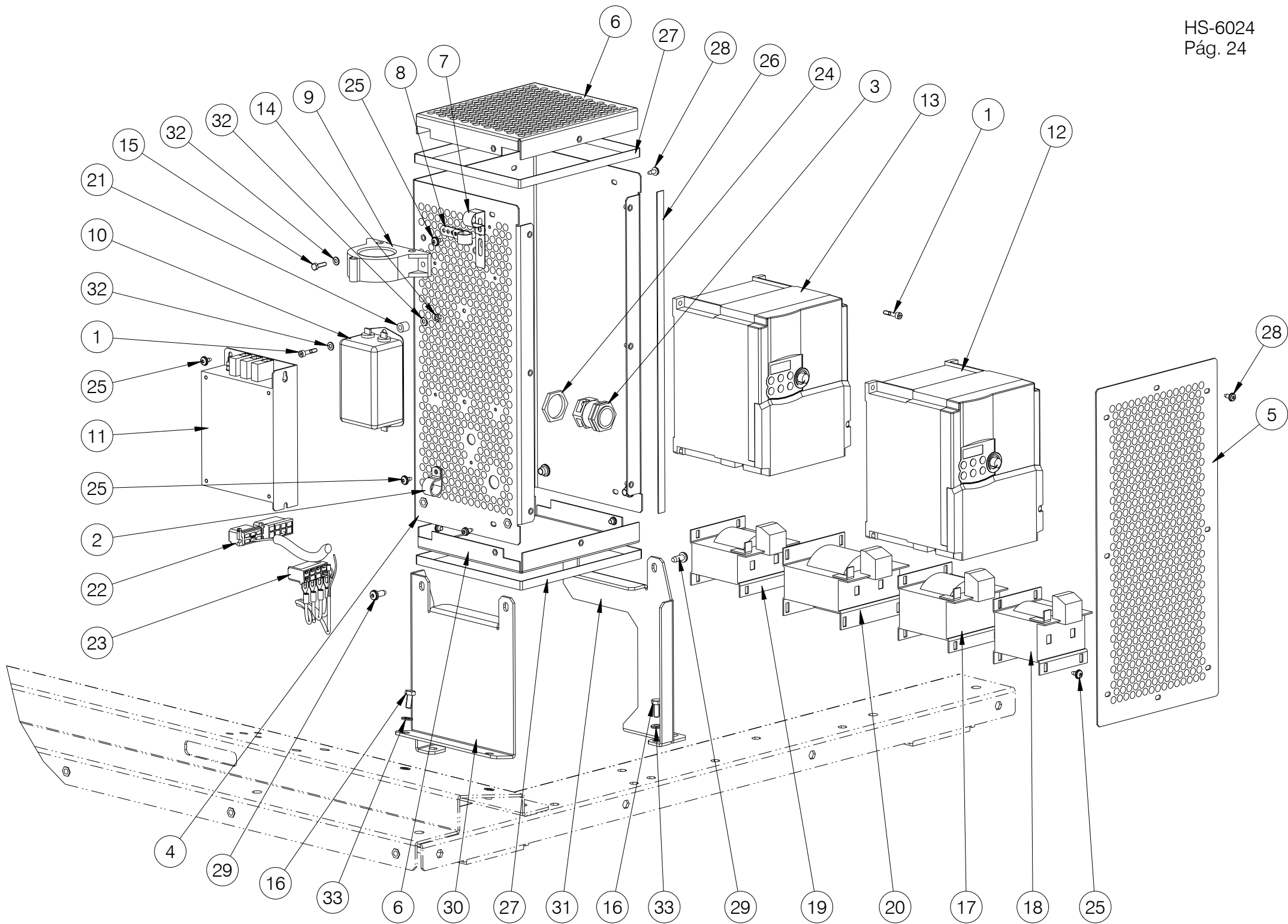
N°	REF	DENOMINATION	DENOMINACIÓN	DENOMINATION
1	140418	CLAMP UNEX REF 1201	BRIDA UNEX 1201	BRIDE UNEX REF 1201
2	612606	CONTACTOR SUPPLY WIRES (FOR MACHINES ELECTR.HEATING) (FOR 200V-208V-220V-230V-240V)	CABLES ALIMENTACION CONTACTOR (PARA MODELOS CALEFAC.ELECTR.) (PARA 200V-208V-220V-230V-240V)	CABLES ALIMENTATION CONTACTEUR (POUR MACHINES CHAUF.ELECTR.) (POUR 200V-208V-220V-230V-240V)
3	612614	CONTACTOR SUPPLY WIRES (FOR MACHINES ELECTR.HEATING) (FOR 380V-400V-415V)	CABLES ALIMENTACION CONTACTOR (PARA MODELOS CALEFAC.ELECTR.) (PARA 380V-400V-415V)	CABLES ALIMENTATION CONTACTEUR (POUR MACHINES CHAUF.ELECTR.) (POUR 380V-400V-415V)
4	340851	HEATER 230V 4000W (FOR 200V-208V-220V-230V-380V-400V)	CALEFACTOR 230V 4000W (PARA 200V-208V-220V-230V-380V-400V)	RESISTANCE 230V 4000W (POUR 200V-208V-220V-230V-380V-400V)
5	340497	HEATER 230V 6500W (FOR 200V-208V-220V-230V-380V-400V)	CALEFACTOR 230V 6500W (PARA 200V-208V-220V-230V-380V-400V)	RESISTANCE 230V 6500W (POUR 200V-208V-220V-230V-380V-400V)
6	340869	HEATER 240V 4000W (FOR 240 AND 415V) (EH060) (FOR (208+240)V)	CALEFACTOR 240V 4000W (PARA 240 Y 415V) (EH060) (PARA (208+240)V)	RESISTANCE 240V 4000W (POUR 240 ET 415V) (EH060) (POUR (208+240)V)
7	340489	HEATER 240V 6500W (FOR 240 AND 415V) (EH060) (FOR (208+240)V)	CALEFACTOR 240V 6500W (PARA 240 Y 415V) (EH060) (PARA (208+240)V)	RESISTANCE 240V 6500W (POUR 240 ET 415V) (EH060) (POUR (208+240)V)
8	121962	HEATER INLET LID	CIERRE ENTRADA CALEFACTOR *	FERMETURE ENTREE RESISTANCE
9	10045060	HEATING CONTACTOR WIRES (FOR MACHINES ELECTR.HEATING) (FOR 200V-208V-220V-230V-240V) (FOR (208+240)V)	CABLES CONTACTOR CALEFACCION (PARA MODELOS CALEFAC.ELECTR.) (PARA 200V-208V-220V-230V-240V) (PARA (208+240)V)	CABLES CONTACTEUR CHAUFFAGE (POUR MACHINES CHAUF.ELECTR.) (POUR 200V-208V-220V-230V-240V) (POUR (208+240)V)
10	10054948	HEATING CONTACTOR WIRES (FOR MACHINES ELECTR.HEATING) (FOR 380V-400V-415V)	CABLES CONTACTOR CALEFACCION (PARA MODELOS CALEFAC.ELECTR.) (PARA 380V-400V-415V)	CABLES CONTACTEUR CHAUFFAGE (POUR MACHINES CHAUF.ELECTR.) (POUR 380V-400V-415V)
11	146266	BICR.HEX SCREW DIN933-8 M-4X15	TOR.EX.DIN933-4.8 B.TRI.M 4X15	VIS HEX BICR.DIN933-8.8 M-4X15
12	132043	SELF-LOCKING NUT DIN985-8 B.TRI.M 4	TUER.AUTOBL.DIN985-8 B.TRI.M 4	ECROU AUTOBLOCANT DIN985-8 B.TRI.M 4
13	149476	BICR.WASHER B DIN125-ST 4,3	ARAN.B DIN125-ST B.TRI. 4,3	RONDELLE B DIN125-ST BICR.4,3
		WITHOUT ILLUSTRATION	SIN ILUSTRACION	SANS ILLUSTRATION
		ELECTRIC HEATING KITS	KITS CALEFACCION ELECTRICA	KITS CHAUFFAGE ELECTRIQUE
617944		EL.HT.KIT 3PH 200-230V (FOR 200,208,220 AND 230V)	KIT CAL.E.3PH 200-230V (PARA 200,208,220 Y 230V)	KIT CH.EL. 3PH 200-230V (POUR 200,208,220 ET 230V)
617951		EL.HT. KIT 3PH 380-400V (FOR 380V-400V)	KIT CAL.E.3PH 380-400V (PARA 380V-400V)	KIT CH.EL. 3PH 380-400V (POUR 380V-400V)

N°	REF	DENOMINATION	DENOMINACIÓN	DENOMINATION
617969		EL.HT.KIT 3PH 240-(208+240)V USA (HS-6024) (FOR 240V) (EH060) (FOR (208+240)V)	KIT CAL.E.3PH 240-(208+240)V USA (HS-6024) (PARA 240V) (EH060) (PARA (208+240)V)	KIT CH.EL.3PH 240-(208+240)V USA (HS-6024) (POUR 240V) (EH060) (POUR (208+240)V)
617977		EL.HT.KIT 3PH 415V (FOR 415V)	KIT CAL.E.3PH 415V (PARA 415V)	KIT CH.EL. 3PH 415V (POUR 415V)



N°	REF	DENOMINATION	DENOMINACIÓN	DENOMINATION
1	109777	COPPER GASKET 1/2"	12504 JUNTA COBRE 1/2"	JOINT CUIVRE 1/2"
2	251355	STEAM INLET SLEEVE (EH060)	MANGUITO ENTRADA VAPOR (EH060)	MANCHON ENTREE VAPEUR (EH060)
3	121962	HEATER INLET LID (FOR MOD. HOT WATER/STEAM)	CIERRE ENTRADA CALEFACTOR * (PARA MOD.AGUA CALIENTE/VAPOR)	FERMETURE ENTREE RESISTANCE (POUR MOD.EAU CHAUDE/VAPEUR)
4	192849	BIC.HEX SCREW DIN933-8 M-8X25	TOR.EX.DIN933-8.8 B.TRI.M 8X25	VIS HEX.DIN933-8,8 BICR.M-8X25
5	612291	STEAM INLET PROTECTION	PROTECCION ENTRADA VAPOR	PROTECTION ENTREE VAPEUR
6	129999	FIG. 531 1/2" GALV	FIGURA 531 DE 1/2" GALV.	FIG. 531 1/2" GALV
7	156216	JOINTING SCREW 10903 1/2"	10903 TORNILLO UNION MM1/2"	VIS UNION 10903 1/2"
8	183525	MALE-FEMALE SLEEVE 1/2"	MANGUITO MACHO-HEMBRA1/2"LATON	FRETTE MALE-FEMELLE 1/2"
9	183400	PLATE SCREW ST-4, 20 P.F. C/AL.T25	TORNILLO CHAPA ST-4 (ESPECIAL) *	VIS PLAQUE ST-4, 20 P.F. C/AL.T25
10	164285	SELF-LOCKING NUT DIN985-8 B.TRI.M8	TUER.AUTOBL.DIN985-8 B.TRI.M8	ECROU AUTOBLOCANT DIN985-8 B.TRI.M8
11	583393	SPARE KIT DANFOSS EV245B	KIT REPUES.DANFOSS EV245B *	KIT RECHANGE DANFOSS EV245B
12	108431	STEAM DISTRIBUTOR	DISTRIBUIDOR VAPOR	DISTRIBUTEUR VAPEUR
13	612515	STEAM ELECTRICAL WIRING (FOR MOD. LOGI/COIN CONTROL)	INSTALACION ELECTRICA VAPOR (PARA MOD. LOGI/COIN CONTROL)	INSTALLATION ELECTRIQUE VAPEUR (POUR MOD. LOGI/COIN CONTROL)
14	612549	STEAM ELEC.INST. (FOR MOD. INTELI CONTROL)	INST. ELEC. VAPOR (PARA MOD. INTELI CONTROL)	INST. ELEC. VAPEUR (POUR MOD. INTELI CONTROL)
15	10038438	STEAM INLET JOINTING	UNION ENTRADA VAPOR	UNION ENTREE VAPEUR
16	423137	STEAM INLET BRACKET	SOPORTE ENTRADA VAPOR	SUPPORT ENTREE VAPEUR
17	608364	STEAM PROTECTION PLATE	CHAPA PROTECCION VAPOR	PLAQUE PROTECTION VAPEUR
18	583369	STEAM VALVE BODY 1/2"	CUERPO VALV. VAPOR 1/2" *	d
19	583385	STEAM VALVE COIL 208-240V 50/60Hz	BOBINA V.VAPOR 208-240V 50/60Hz *	BOBINE V. VAPEUR 208-240V 50/60Hz
20	133728	STRAINER THREADED 1/2" O'3 PN16	FILTRO GG25 ROSC.1/2" PN16 0'3MM INOX	FILTRE FILETE 1/2" 0,3 PN16
21	149518	BICR.WASHER B DIN125-ST 8,4	ARAN.B DIN125-ST B.TRI. 8,4	RONDELLE.B DIN125-ST BICR.8,4
22	608265	STEAM INLET PROTECTION	PROTECCION ENTRADA VAPOR	PROTECTION ENTREE VAPEUR
		WITHOUT ILLUSTRATION	SIN ILUSTRACION	SANS ILLUSTRATION
		STEAM HEATING KITS	KITS CALEFACCION VAPOR	KITS CHAUFFAGE VAPEUR
618017		KIT CAL.STEAM H24IC 50-60 HZ (FOR MOD. INTELI CONTROL)	KIT CAL.VAPOR H24IC 50-60 HZ (PARA MOD. INTELI CONTROL)	KIT CAL.VAPEUR H24IC 50-60 HZ (POUR MOD. INTELI CONTROL)

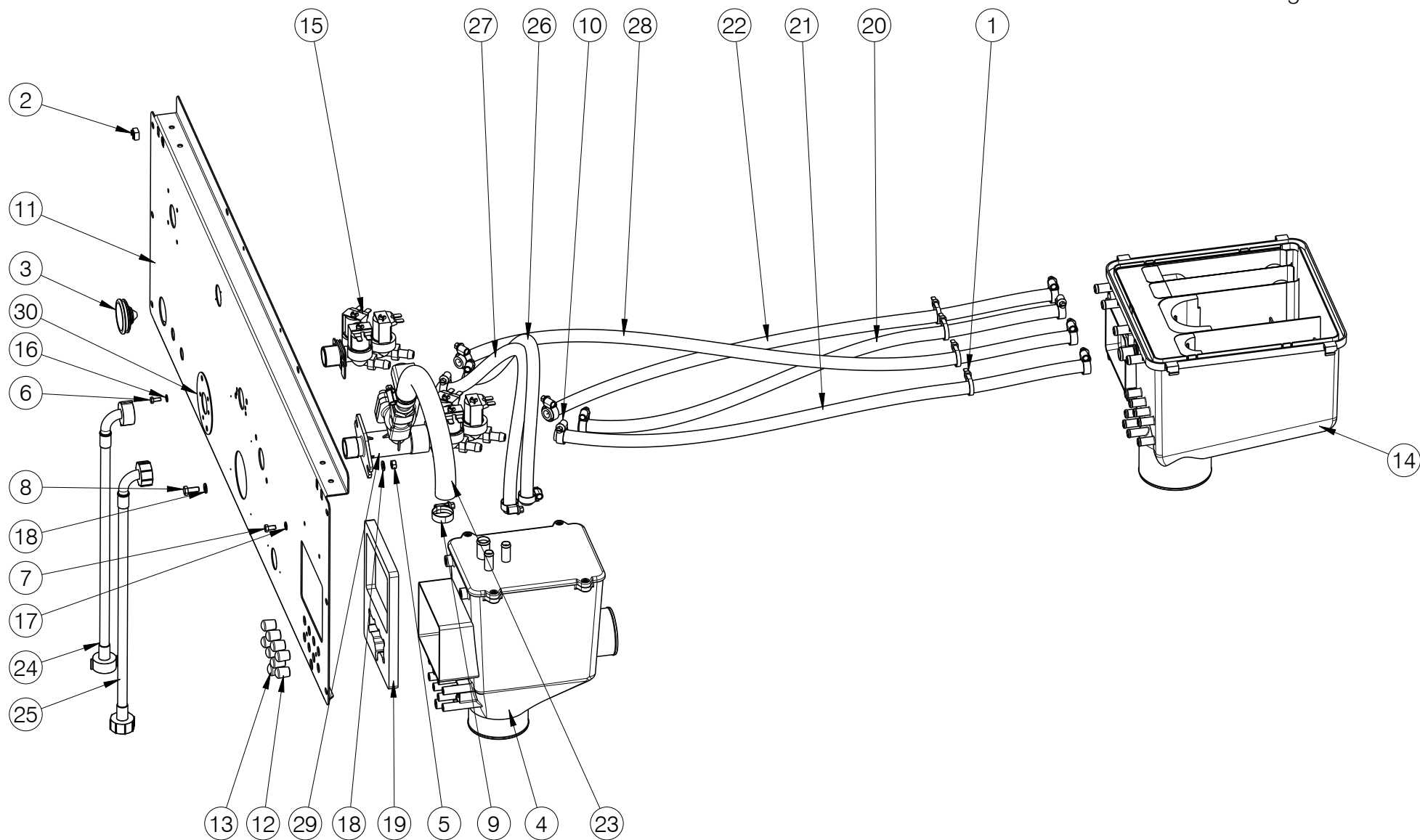
N°	REF	DENOMINATION	DENOMINACIÓN	DENOMINATION
618025		KIT CAL.STEAM H24CC-LC 50-60 HZ (FOR MOD. LOGI/COIN CONTROL)	KIT CAL.VAPOR H24CC-LC 50-60 HZ (PARA MOD. LOGI/COIN CONTROL)	KIT CAL.VAPEUR H24CC-LC 50-60 HZ (POUR MOD. LOGI/COIN CONTROL)



N°	REF	DENOMINATION	DENOMINACIÓN	DENOMINATION
1	635334	ALLEN SCREW DIN 912 8.8 M4x20 TRIVALENT	TORNILLO ALLEN DIN 912 8.8 M4x20 TRIVALE	VIS ALLEN 912 8.8 M4x20 TRIVALENT
2	323055	ALUMINIUM CLAMP AL2	ABRAZADERA ALUMINIO AL2	BRIDE ALUMINIUM AL2
3	356055	STUFFING-BOX EXAD. CLAMP 82505 M25	PRENSAE.EXAD.BRIDA 82505 M25	PRESSE-ETOUPEES EXAD.BRIDE 82505 M25
4	10001881	CEM BOX	CAJA CEM	-
5	10006286	CEM BOX COVER	TAPA CAJA CEM	
6	10004091	CEM BOX UPPER COVER	TAPA SUPERIOR CAJA CEM	COUVERCLE TOP BOX CEM
7	521443	CEM S-6 CLAMP (FOR 3PH)	ABRAZADERA CEM S-6 (PARA 3PH)	BRIDE CEM S-6 (POUR 3PH)
8	140418	CLAMP UNEX REF 1201 (FOR 1PH)	BRIDA UNEX 1201 (PARA 1PH)	BRIDE UNEX REF 1201 (POUR 1PH)
9	10035186	FERRITE ELECTRICAL INSTALLATION (FOR 200V-208V-220V-230V-240V) (FOR 1PH)	INSTALACIÓN ELÉCTRICA FERRITA (PARA 200V-208V-220V-230V-240V) (PARA 1PH)	INSTALLATION ÉLECTRIQUE FERRITE (POUR 200V-208V-220V-230V-240V) (POUR 1PH)
10	569442	FILTER TYPE FS2090-16-06 (FOR 1PH)	FILTRO TIPO FN2090-16-06 (PARA 1PH)	FILTRE TYPE FS2090-16-06 (POUR 1PH)
11	359869	FILTER TYPE FS20229-9-07 (FOR 3PH)	FILTRO TIPO FS20229-9-07 (PARA 3PH)	FILTRE TYPE FS20229-9-07 (POUR 3PH)
12	613901	INVERTER FRN0011C2S-4E (FOR 380V-400V-415V-440V-480V) (FOR (440+480)V)	CONVERTIDOR FRN0011C2S-4E * (PARA 380V-400V-415V-440V-480V) (PARA (440+480)V)	CONVERTISSEUR FRN0011C2S-4E (POUR 380V-400V-415V-440V-480V) (POUR (440+480)V)
13	613893	FREQUENCY INVERTER FRN3.7C2S-2J (FOR 200V-208V-220V-230V-240V) (FOR (208+240)V)	VARIADOR FRECUENCIA FRN3.7C2S-2J (PARA 200V-208V-220V-230V-240V) (PARA (208+240)V)	VARIATEUR FREQUENCY FRN3.7C2S-2J (POUR 200V-208V-220V-230V-240V) (POUR (208+240)V)
14	150185	BICR.HEX.NUT DIN934-8 M4	TUER.EX.DIN934-8 B.TRI.M 4	ECROU HEX.DIN934-8 BICR.M4
15	146266	BICR.HEX SCREW DIN933-8 M-4X15	TOR.EX.DIN933-4.8 B.TRI.M 4X15	VIS HEX BICR.DIN933-8.8 M-4X15
16	146233	BICR.HEX SCREW DIN933-8 M6X15	TOR.EX.DIN933-8.8 B.TRI.M 6X15	VIS HEX DIN933-8.8 BICR.M6X15
17	593871	INDUCTANCE CSA 5A 14MH 50HZ * (FOR 380V-400V-415V-440V-480V) (FOR 50Hz)	INDUCTANCIA CSA 5A 14MH * (PARA 380V-400V-415V-440V-480V) (PARA 50Hz)	INDUCTANCE CSA 5A 14MH 50HZ * (POUR 380V-400V-415V-440V-480V) (POUR 50Hz)
18	593863	INDUCTANCE CSA 5A 9MH 50HZ (FOR 380V-400V-415V-440V-480V) (FOR (440+480)V) (FOR 60Hz)	INDUCTANCIA CSA 5A 9MH 50HZ (PARA 380V-400V-415V-440V-480V) (PARA (440+480)V) (PARA 60Hz)	INDUCTANCE CSA 5A 9MH 50HZ (POUR 380V-400V-415V-440V-480V) (POUR (440+480)V) (POUR 60Hz)
19	614412	INDUCTANCE CSA 8A 4.5MH 50HZ (FOR 200V-208V-220V-230V-240V) (FOR (208+240)V) (FOR 60Hz)	INDUCTANCIA CSA 8A 4.5MH 50HZ (PARA 200V-208V-220V-230V-240V) (PARA (208+240)V) (PARA 60Hz)	INDUCTANCE CSA 8A 4.5MH 50HZ (POUR 200V-208V-220V-230V-240V) (POUR (208+240)V) (POUR 60Hz)

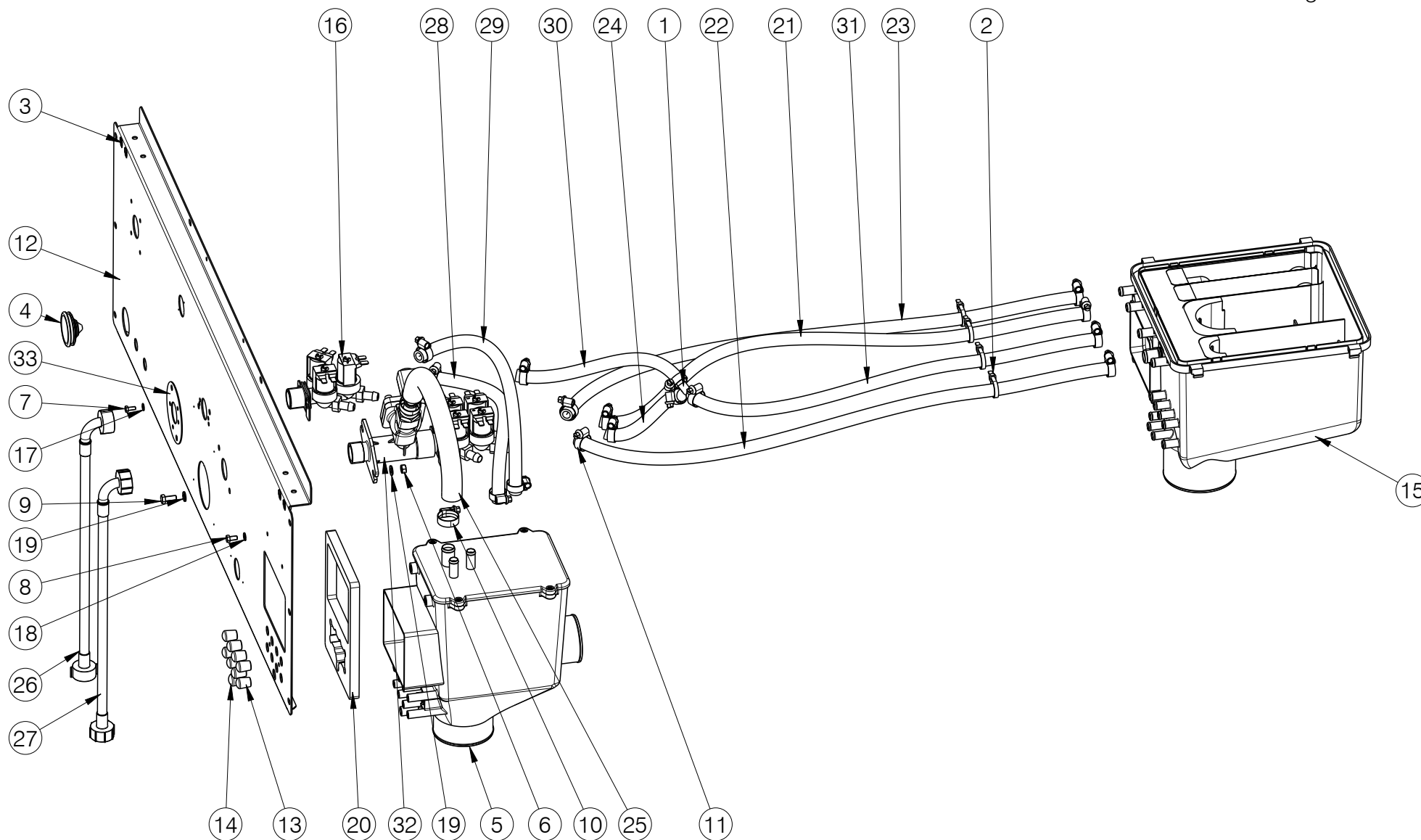
N°	REF	DENOMINATION	DENOMINACIÓN	DENOMINATION
20	613919	INDUCTANCE CSA 8A 7.5mH 50Hz (FOR 200V-208V-220V-230V-240V) (FOR 50Hz)	INDUCTANCIA CSA 8A 7.5MH 50HZ (PARA 200V-208V-220V-230V-240V) (PARA 50Hz)	INDUCTANCE CSA 8A 7.5MH 50HZ (POUR 200V-208V-220V-230V-240V) (POUR 50Hz)
21	322768	MICRO BOARD SEPARATOR	SEPARADOR PLACA MICRO	SEPARATEUR PLAQUE MICRO
22	10009215	MOTOR ELECTRICAL INSTALLATION (FOR 200V-208V-220V-230V-240V) (FOR (208+240)V)	INST. ELEC. MOTOR (PARA 200V-208V-220V-230V-240V) (PARA (208+240)V)	INST. ELEC. MOTEUR (POUR 200V-208V-220V-230V-240V) (POUR (208+240)V)
23	10447993	MOTOR ELECTRICAL INSTALLATION (FOR 380V-400V-415V-440V-480V) (FOR (440+480)V)	INST. ELEC. MOTOR (PARA 380V-400V-415V-440V-480V) (PARA (440+480)V)	INST. ELEC. MOTEUR (POUR 380V-400V-415V-440V-480V) (POUR (440+480)V)
24	140269	COUNTERNUT PG-21	TUERCA PG 282104 PG-21	CONTREECROU PG-21
25	183400	PLATE SCREW ST-4, 20 P.F. C/AL.T25	TORNILLO CHAPA ST-4 (ESPECIAL)*	VIS PLAQUE ST-4, 20 P.F. C/AL.T25
26	321273	PROFILE E0813T00000 UL94HB (FOR 3PH)	PERFIL E0813R00000 UL94HB (PARA 3PH)	PROFILE E0813T00000 UL94HB (POUR 3PH)
27	321273	PROFILE E0813T00000 UL94HB (FOR 3PH)	PERFIL E0813R00000 UL94HB (PARA 3PH)	PROFILE E0813T00000 UL94HB (POUR 3PH)
28	328229	SCREW ALO.T25 AR.18ESTR.M 4X10	TORNILLO ALOM.T25 M 4X10 (ESPECIAL)*	VIS ALOM.T25 AR.18ESTR.M 4X10
29	333625	SCREW T25 A18EST.M6X15 TRI.	TOR.ALOM.T25 A18EST.M6X15 TRI. (ESPECIAL)	VIS T25 A18EST.M6X15 TRI.
30	10440790	SUPPORT BRACKET	CARTELA SOPORTE	GOUSSET SUPPORT
31	10440808	SUPPORT BRACKET	CARTELA SOPORTE	GOUSSET SUPPORT
32	149476	BICR.WASHER B DIN125-ST 4,3	ARAN.B DIN125-ST B.TRI. 4,3	RONDELLE B DIN125-ST BICR.4,3
33	149526	BICR.WASHER B DIN125-ST 6,4	ARAN.B DIN125-ST B.TRI. 6,4	BICR.WASHER B DIN125-ST 6,4





N°	REF	DENOMINATION	DENOMINACIÓN	DENOMINATION
1	140525	CLAMP 2244-0	BRIDA UNEX 2244-0 *	BRIDE 2244-0
2	165019	CAGED NUT M-6 0,5-1,5 R.310007-9	TUER.ENJ.M6 0,5-1,5 R.310007-9	*ECROU PRESIONER M-6 0,5-1,5 R.310007-9
3	139683	CONE ECPC-6	CONO HIMEL ECPC-6	CONE ECPC-6
4	339689	DISTRIBUTOR	DISTRIBUIDOR	DISTRIBUTEUR
5	150227	BICR HEX NUT DIN934-8 M6	TUER.EX.DIN934-8 B.TRI.M 6	ECROU HEX DIN934-8 BICR.M6
6	146258	BIC.HEX SCREW DIN933-4.8 M4X10	TOR.EX.DIN933-4.8 B.TRI.M 4X10	VIS HEX DIN933-4.8 BICR.M 4X10
7	146274	BICR.HEX SCREW DIN933-8 M-5X10	TOR.EX.DIN933-8.8 B.TRI.M 5X10	VIS HEX.BICR.DIN933-8.8 M-5X10
8	146233	BICR.HEX SCREW DIN933-8 M6X15	TOR.EX.DIN933-8.8 B.TRI.M 6X15	VIS HEX DIN933-8.8 BICR.M6X15
9	156109	CLAMP 16-27	ABRAZADERA 16- 27 *	BRIDE 16-27
10	155150	HOSE CLIP ASFA-L W2 8-16	ABRAZADERA ASFA-L W2 8-16	COLLIER ASFA-L W2 8-16
11	597989	REAR PANEL	PANEL POSTERIOR	PANNEAU ARRIERE
12	156679	CONICAL END-PIECE R-16 D10	TOPE CONICO REPRIMSA R-16 D10	BOUCHON CONIQUE R-16 D10
13	357624	CONICAL END-PECE R-16 D12	TOPE CONICO REPRIMSA R-16 D12	BOUCHON CONIQUE R-16 D12
14	511576	SOAP DISPENSER SET	CONJUNTO DOSIFICADOR	ENSEMBLE BAC A PRODUITS
15	333674	TRIPLE ELECTROVALVE 369 180°	ELECTROV.TRIPLE 369 180°12VCC*	ELECTROVANNE TRIPLE 369 180°
16	149476	BICR.WASHER B DIN125-ST 4,3	ARAN.B DIN125-ST B.TRI. 4,3	RONDELLE B DIN125-ST BICR.4,3
17	149534	BICR.WASHER B DIN125-ST 5,3	ARAN.B DIN125-ST BICR. 5,3	RONDELLE B BICR.DIN125-ST 5,3
18	149526	BICR.WASHER B DIN125-ST 6,4	ARAN.B DIN125-ST B.TRI. 6,4	BICR.WASHER B DIN125-ST 6,4
19	10003960	WATER DEFLECTOR	DEFLECTOR AGUA	DÉFLECTEUR EAU
20	116632	WATER INLET HOSE	TUBO ENTRADA AGUA	TUBE ENTREE EAU
21	411132	WATER INLET HOSE	TUBO ENTRADA AGUA	TUBE ENTREE EAU
22	411132	WATER INLET HOSE	TUBO ENTRADA AGUA	TUBE ENTREE EAU
23	10026177	WATER INLET HOSE	TUBO ENTRADA AGUA	TUBE ENTREE EAU
24	323493	WATER INLET AC DI10MM L1,5M	TUBO ENTRADA AC DI10MM L1,5M *	FLEXIBLE ENTRÉE AC DI10MM L1,5M
25	323477	WATER INLET AF DI10MM L1,5M	TUBO ENTRADA AF DI10MM L1,5M *	FLEXIBLE ENTRÉE AF DI10MM L1,5M
26	10919231	WATER INLET TUBE	TUBO ENTRADA AGUA	TUBE ENTREE EAU
27	10919231	WATER INLET TUBE	TUBO ENTRADA AGUA	TUBE ENTREE EAU
28	10920684	WATER INLET HOSE T 85°C	TUBO ENTRADA AGUA T 85°C	TUBE ENTREE EAU T 85°C

N°	REF	DENOMINATION	DENOMINACIÓN	DENOMINATION
29	455931	GRUPO ENTRADA AGUA	GRUPO ENTRADA AGUA	GRUPO ENTRADA AGUA
30	606939	FIXING PLATE VALVE	CHAPA FIJACION VALVULA	PLATEAU FIXATION VANNE



N°	REF	DENOMINATION	DENOMINACIÓN	DENOMINATION
1	152165	BRANCH	BIFURCACION	BIFURCATION
2	140525	CLAMP 2244-0	BRIDA UNEX 2244-0 *	BRIDE 2244-0
3	165019	CAGED NUT M-6 0,5-1,5 R.310007-9	TUER.ENJ.M6 0,5-1,5 R.310007-9	*ECROU PRESIONER M-6 0,5-1,5 R.310007-9
4	139683	CONE ECPC-6	CONO HIMEL ECPC-6	CONE ECPC-6
5	339689	DISTRIBUTOR	DISTRIBUIDOR	DISTRIBUTEUR
6	150227	BICR HEX NUT DIN934-8 M6	TUER.EX.DIN934-8 B.TRI.M 6	ECROU HEX DIN934-8 BICR.M6
7	146258	BIC.HEX SCREW DIN933-4.8 M4X10	TOR.EX.DIN933-4.8 B.TRI.M 4X10	VIS HEX DIN933-4.8 BICR.M 4X10
8	146274	BICR.HEX SCREW DIN933-8 M-5X10	TOR.EX.DIN933-8.8 B.TRI.M 5X10	VIS HEX.BICR.DIN933-8.8 M-5X10
9	146233	BICR.HEX SCREW DIN933-8 M6X15	TOR.EX.DIN933-8.8 B.TRI.M 6X15	VIS HEX DIN933-8.8 BICR.M6X15
10	156109	CLAMP 16-27	ABRAZADERA 16- 27 *	BRIDE 16-27
11	155150	HOSE CLIP ASFA-L W2 8-16	ABRAZADERA ASFA-L W2 8-16	COLLIER ASFA-L W2 8-16
12	597989	REAR PANEL	PANEL POSTERIOR	PANNEAU ARRIERE
13	156679	CONICAL END-PIECE R-16 D10	TOPE CONICO REPRIMSA R-16 D10	BOUCHON CONIQUE R-16 D10
14	357624	CONICAL END-PECE R-16 D12	TOPE CONICO REPRIMSA R-16 D12	BOUCHON CONIQUE R-16 D12
15	511576	SOAP DISPENSER SET	CONJUNTO DOSIFICADOR	ENSEMBLE BAC A PRODUITS
16	333674	TRIPLE ELECTROVALVE 369 180°	ELECTROV.TRIPLE 369 180°12VCC*	ELECTROVANNE TRIPLE 369 180°
17	149476	BICR.WASHER B DIN125-ST 4,3	ARAN.B DIN125-ST B.TRI. 4,3	RONDELLE B DIN125-ST BICR.4,3
18	149534	BICR.WASHER B DIN125-ST 5,3	ARAN.B DIN125-ST BICR. 5,3	RONDELLE B BICR.DIN125-ST 5,3
19	149526	BICR.WASHER B DIN125-ST 6,4	ARAN.B DIN125-ST B.TRI. 6,4	BICR.WASHER B DIN125-ST 6,4
20	10003960	WATER DEFLECTOR	DEFLECTOR AGUA	DÉFLECTEUR EAU
21	116632	WATER INLET HOSE	TUBO ENTRADA AGUA	TUBE ENTREE EAU
22	411132	WATER INLET HOSE	TUBO ENTRADA AGUA	TUBE ENTREE EAU
23	411132	WATER INLET HOSE	TUBO ENTRADA AGUA	TUBE ENTREE EAU
24	427187	WATER INLET HOSE	TUBO ENTRADA AGUA	TUBE ENTREE EAU
25	10026177	WATER INLET HOSE	TUBO ENTRADA AGUA	TUBE ENTREE EAU
26	323493	WATER INLET AC DI10MM L1,5M	TUBO ENTRADA AC DI10MM L1,5M *	FLEXIBLE ENTRÉE AC DI10MM L1,5M
27	323477	WATER INLET AF DI10MM L1,5M	TUBO ENTRADA AF DI10MM L1,5M *	FLEXIBLE ENTRÉE AF DI10MM L1,5M
28	10919231	WATER INLET TUBE	TUBO ENTRADA AGUA	TUBE ENTREE EAU

N°	REF	DENOMINATION	DENOMINACIÓN	DENOMINATION
29	10919231	WATER INLET TUBE	TUBO ENTRADA AGUA	TUBE ENTREE EAU
30	10919405	WATER INLET HOSE T 85°C	TUBO ENTRADA AGUA T 85°C	ENTREE EAU TUBE T 85°C
31	10920122	WATER INLET HOSE T 85°C	TUBO ENTRADA AGUA T 85°C	TUBE ENTREE EAU T 85°C
32	422782	GRUPO ENTRADA AGUA	GRUPO ENTRADA AGUA	GRUPO ENTRADA AGUA
33	606939	FIXING PLATE VALVE	CHAPA FIJACION VALVULA	PLATEAU FIXATION VANNE