

# FTMAXI

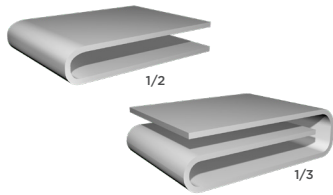
## TOWEL FOLDER & STACKER

The FT MAXI is a highly productive, multi-use folder that classifies, folds and stacks towels. Equipped with air jet folding, the FT MAXI processes up to 900 pieces/hour, depending on the item, the type of fold and the operator's skill.



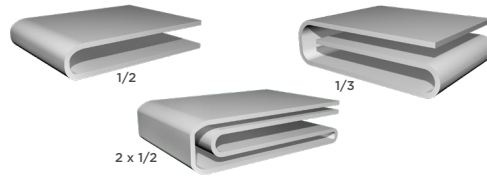
### PRIMARY FOLD

An air jet system is used for the primary fold. The air jet is adjusted to match the size of the article. It can perform 1 fold (in half) or 2 folds (French or 1/3 type).



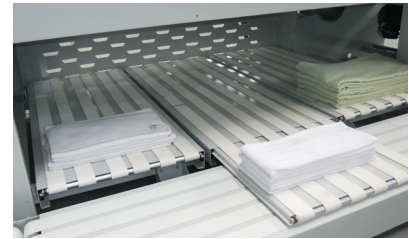
### SECONDARY FOLD

A conveyor reversing system and powerful air jet, perform 1 or 2 cross. The elastic belts used in the cross folding contribute to a quality fold.



### STACKING

The FT MAXI automatically selects and stacks items into three categories. The system includes a discharge conveyor configurable with left, right, return to feed or away from the operator and onto a transport conveyor.



## PRODUCT FEATURES

### MAXIMUM PIECE SIZE

- Width: 48 inches (1200 mm) / Length: 92.5 inches (2350 mm)

### VERSATILE

- Offering a compact footprint, the FT MAXI automatically stacks and classifies items according to dimensions.

### INDEPENDENT FEED TABLE

- The folder is fed manually on an independent feed table. The conveyors allow operators to feed linen without affecting production.
- Can be programmed to stop between units.

### PRIMARY FOLDING WITH EXCLUSIVE BLOWING SYSTEM

- An air jet blowing system allows small and medium-sized articles to be folded without stopping the conveyor — improving productivity while maintaining folding quality.

### SECONDARY FOLDING USING REVERSING BELTS AND BLOWING

- The elastic belts that perform the cross folding are extremely flexible, providing a high-quality fold while minimizing maintenance downtime.

### EASY-TO-USE TOUCH SCREEN GRAPHIC CONTROL

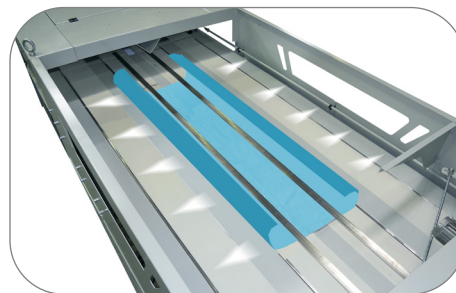
- The FT MAXI folder incorporates a control and programming system. A system of easy-to-use icons guide the user in operating the machine.

### OPTIONS

- The FT MAXI comes standard with three stackers, with an option for a fourth. Completed stacks are automatically advanced onto a discharge conveyor, which can exit to the left, right, return to feed, or away from the operator and onto a transport conveyor.



INDEPENDENT FEED TABLE



PRIMARY FOLDING



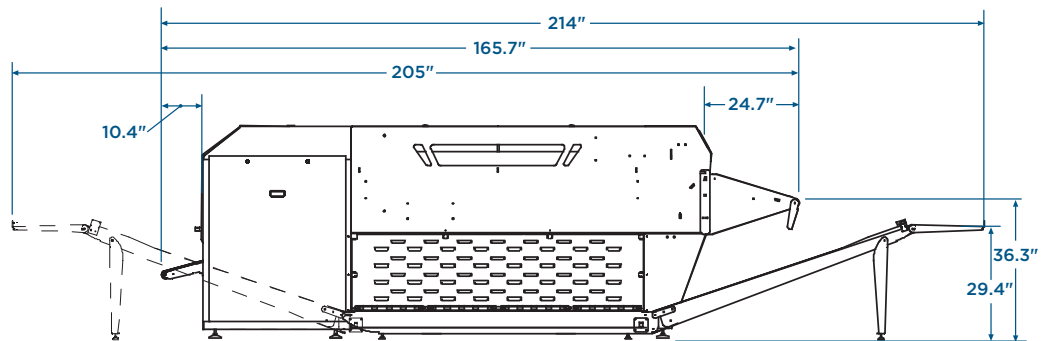
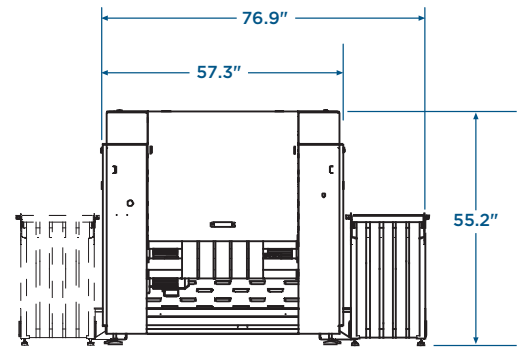
SECONDARY FOLDING

# FTMAXI

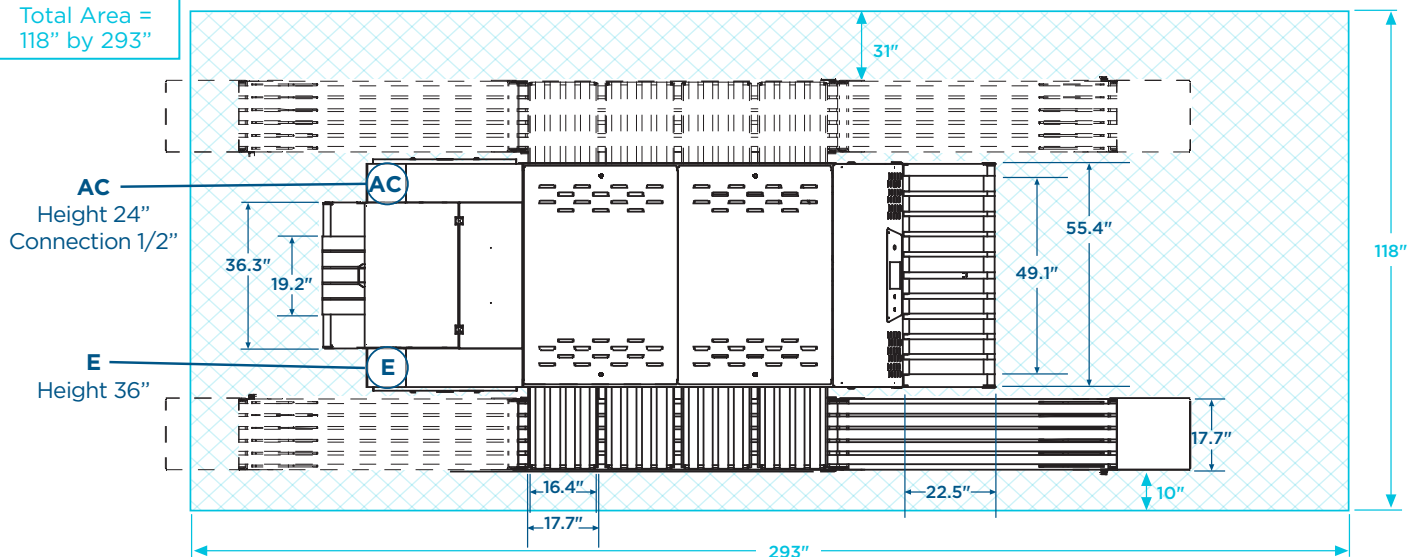
## TOWEL FOLDER & STACKER

### PRODUCT SPECS

Usable Feed Width <i>inch</i>	48
Feed Height <i>inch</i>	35
Maximum Item Dimensions <i>inch</i>	48 x 92.5
Minimum Item Dimensions <i>inch</i>	10.2 x 9.8
Net Weight <i>lbs</i>	2425
Crated Weight <i>lbs</i>	3960
Machine Width <i>inch</i>	
machine only	57.3
with stacker	76.9
Machine Depth <i>inch</i>	
machine only	165.7
with rear stacker	205.1
with front stacker	214.6
Machine Height <i>inch</i>	55.2
Shipping Dimensions <i>inch</i>	
WxDxH	174 x 90 x 88
Electrical Power <i>KVA</i>	4.5
Available Voltages / Wire Conductor / Amp	
Electric	208-240/60/3, 3W+G, 12.5 Amp
Electric	440-480/60/3, 3W+G, 6 Amp
Compressed Air Connection <i>inch</i>	1/2
Compressed Air Flow <i>cfm</i>	8.8 @ 87-145 PSI



**Recommended Clearance**  
Total Area =  
118" by 293"



\* Specifications subject to change without notice or obligation. Contact Girbau Industrial at (800) 256-1073 for dimensions not shown or for clarification.