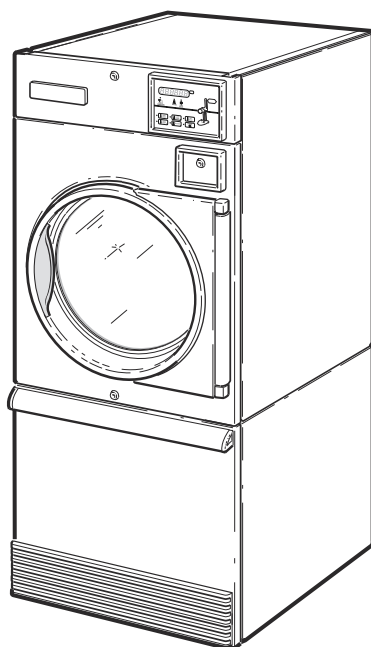


Tumble Dryers

35 Pound Capacity

Models with 0 or 3 in 13th Position of Model Number

Refer to Page 3 for Model Numbers



TMB1283C_70594901

Table of Contents

Title	Page
Parts Ordering Information.....	2
Serial Plate Location	2
Model Identification	3
Product Overview - Heat Source and Voltage	4
Product Overview - FN Control Suffix	6
Product Overview - DN and NN Control Suffixes.....	8
Product Overview - B, N and W Control Suffixes.....	10
Dual Digital Control	12
Electronic Display Control - Vend Models with B in the 7th Position	14
Electronic Display Control - Vend Models with N or W in the 7th Position.....	16
Electronic Display Control - OPL Models with N in the 7th Position	18
Coin Drops	20
Coin Drop Kits	22
Door Assemblies.....	24
Door Components.....	26
Hinge Components	28
False Fronts	30
Control Panels	32
Front Panel Assemblies	34
Cabinet Front Components.....	36
Emergency Stop Button	38
Lower Cabinet Components	40
Cylinder and Trunnion Assembly	42
Moisture Sensing Components.....	44
Cylinder Components	46
Cabinet Components	48
Fire Suppression System Components	50
Fire Suppression System Control Box	52
Motor Components	54
Blower and Exhaust Components.....	56
Airflow Switch.....	58
Gas Heater Components	60
Burner Orifices	62
Electric Heater Components	64
Steam Heater Components	66
Control Tray	68
Accessory Box - Electric 200-240 Volt Models	70
Accessory Box - Electric 380-480 Volt Models	72
Harnesses.....	74
Labels	75
Parts Index.....	77

© Copyright 2018, Alliance Laundry Systems LLC

All rights reserved. No part of the contents of this book may be reproduced or transmitted in any form or by any means without the expressed written consent of the publisher.

Parts Ordering Information

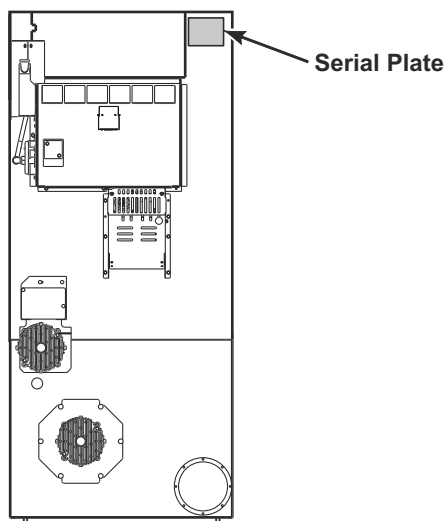
If literature or replacement parts are required, contact the source from whom the machine was purchased or contact Alliance Laundry Systems at (920) 748-3950 for the name and address of the nearest authorized parts distributor.

For technical assistance, call the number listed below:

(920) 748-3121 Ripon, Wisconsin

Serial Plate Location

When calling or writing about your product, be sure to mention model and serial numbers. Model and serial numbers are located on serial plate(s) as shown.



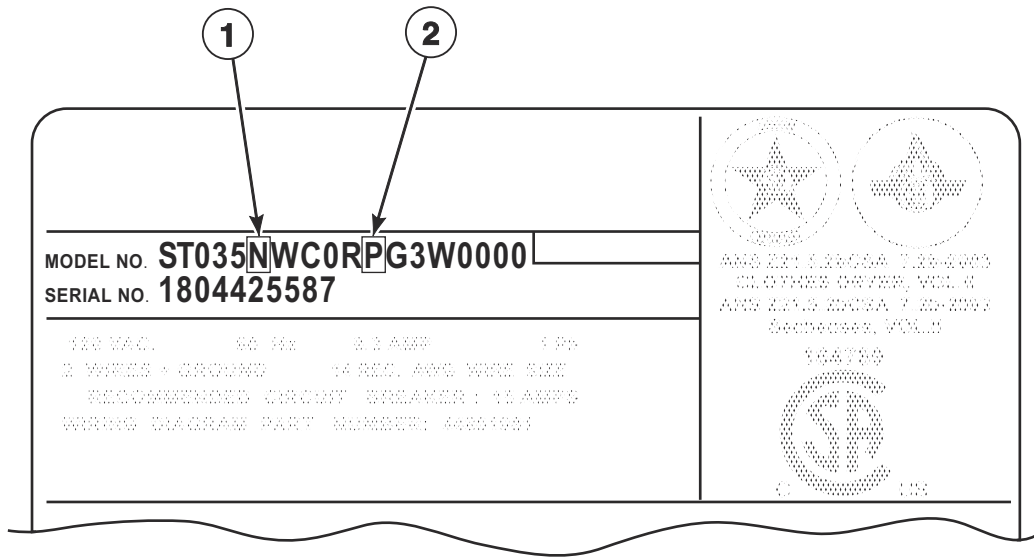
TMB3500P_70594901

Model Identification

Information in this manual is applicable to these tumbler models:

GA035E	KT035E	MG035D	NA035E
GA035L	KT035L	MG035E	NA035L
GA035M	KT035M	MG035F	NA035M
GA035N	KT035N	MG035L	NA035N
GA035S	KT035S	MG035M	NA035S
GG035E		MG035N	NG035E
GG035L		MG035R	NG035L
GG035M		MG035S	NG035M
GG035N		MJ035D	NG035N
GG035S		MJ035E	NG035S
GH035E		MJ035F	NH035E
GH035L		MJ035L	NH035L
GH035M		MJ035M	NH035M
GH035N		MJ035N	NH035N
GH035S		MJ035R	NH035S
GJ035E		MJ035S	NJ035E
GJ035L			NJ035L
GJ035M			NJ035M
GJ035N			NJ035N
GJ035S			NJ035S
GK035E			NK035E
GK035L			NK035L
GK035N			NK035N
GU035E			NR035E
GU035L			NR035S
GU035M			NU035E
GU035N			NU035L
GU035S			NU035M
			NU035N
			NU035S

Product Overview - Heat Source and Voltage



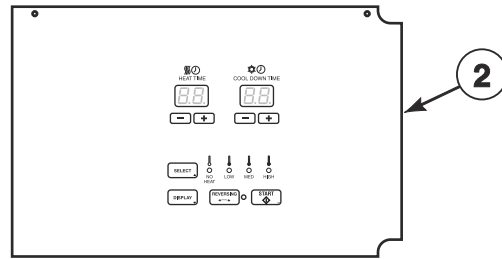
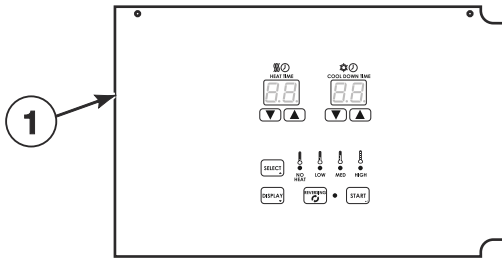
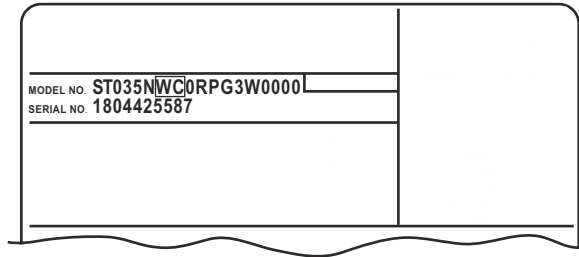
TMB3529P_70594901

Product Overview - Heat Source and Voltage

REF	PART NO.	DESCRIPTION	COMMENTS
1	-	Heat Source	D: Liquid Petroleum Gas (L.P) E: Electric F: Reduced Electric (Eco Line) L: Liquid Petroleum Gas (L.P.) M: Medium Electric N: Natural Gas (N.G.) R: Reduced Gas, Natural Gas (Eco Line) S: Steam
2	-	Voltage	B: 100-120 Volt/50-60 Hertz/1 Phase; Gas and steam models D: 200-208 Volt/50-60 Hertz/1 Phase; Electric models E: 230-240 Volt/50-60 Hertz/1 Phase; Electric models F: 200-208 Volt/50-60 Hertz/3 Phase; Electric models G: 230-240 Volt/50-60 Hertz/3 Phase; Electric models H: 380 Volt/50-60 Hertz/3 Phase; Electric models J: 400-415 Volt/50-60 Hertz/3 Phase; Electric models K: 440 Volt/50-60 Hertz/3 Phase; Electric models L: 460-480 Volt/50-60 Hertz/3 Phase; Electric models N: 440-480 Volt/50-60 Hertz/3 Phase; Gas and steam models P: 380-415 Volt/50-60 Hertz/3 Phase; Gas and steam models X: 200-240 Volt/50-60 Hertz/1-3 Phase; Gas and steam models

Product Overview - FN Control Suffix

G, K and N Models; OPL



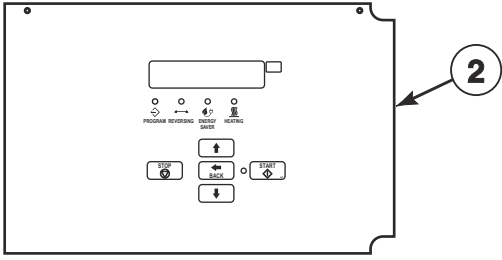
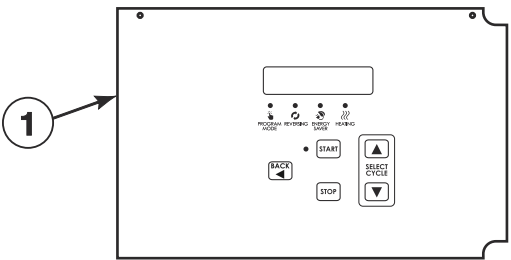
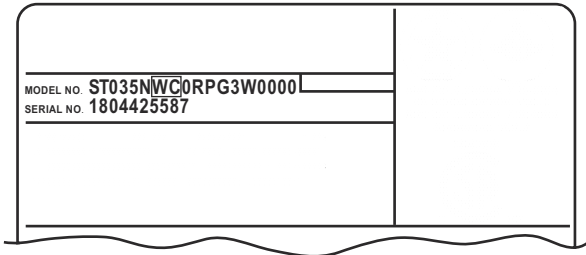
TMB3552P_70594901

Product Overview - FN Control Suffix

REF	PART NO.	DESCRIPTION	COMMENTS
1	-	Dual Digital Control	G and K models
2	-	Dual Digital Control	N models

Product Overview - DN and NN Control Suffixes

G, K and N Models; OPL



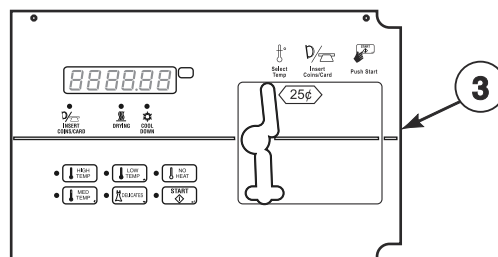
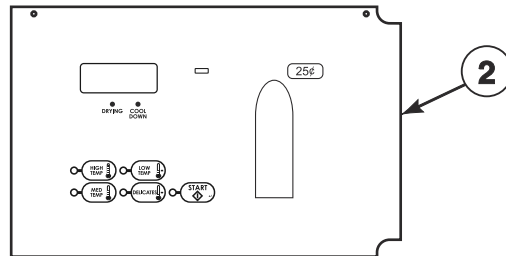
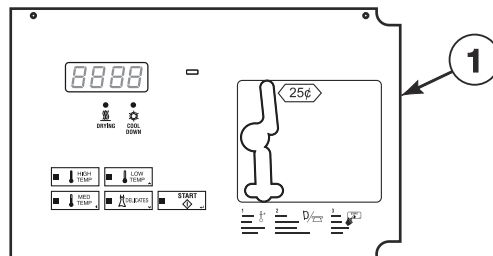
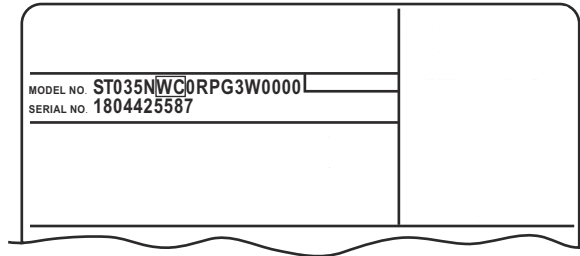
TMB3553P_70594901

Product Overview - DN and NN Control Suffixes

REF	PART NO.	DESCRIPTION	COMMENTS
1	-	OPL Micro Control	G and K models
2	-	OPL Micro Control	N models

Product Overview - B, N and W Control Suffixes

7th Position of the Model Number; Vend



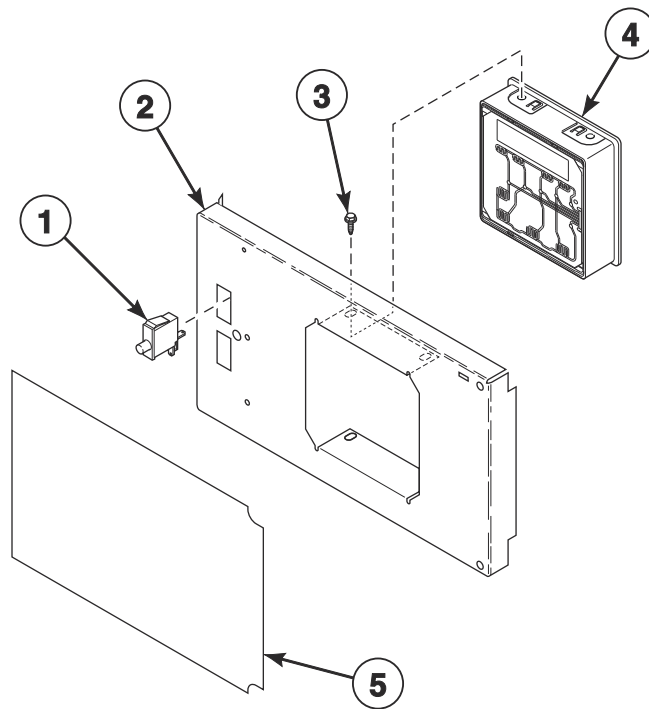
TMB3554P_70594901

Product Overview - B, N and W Control Suffixes

REF	PART NO.	DESCRIPTION	COMMENTS
1	-	Basic Electronic Control	N models
2	-	Basic Electronic Control	G and K models
3	-	Quantum Gold Control	M models

Dual Digital Control

G, K and N Models with F in the 7th Position



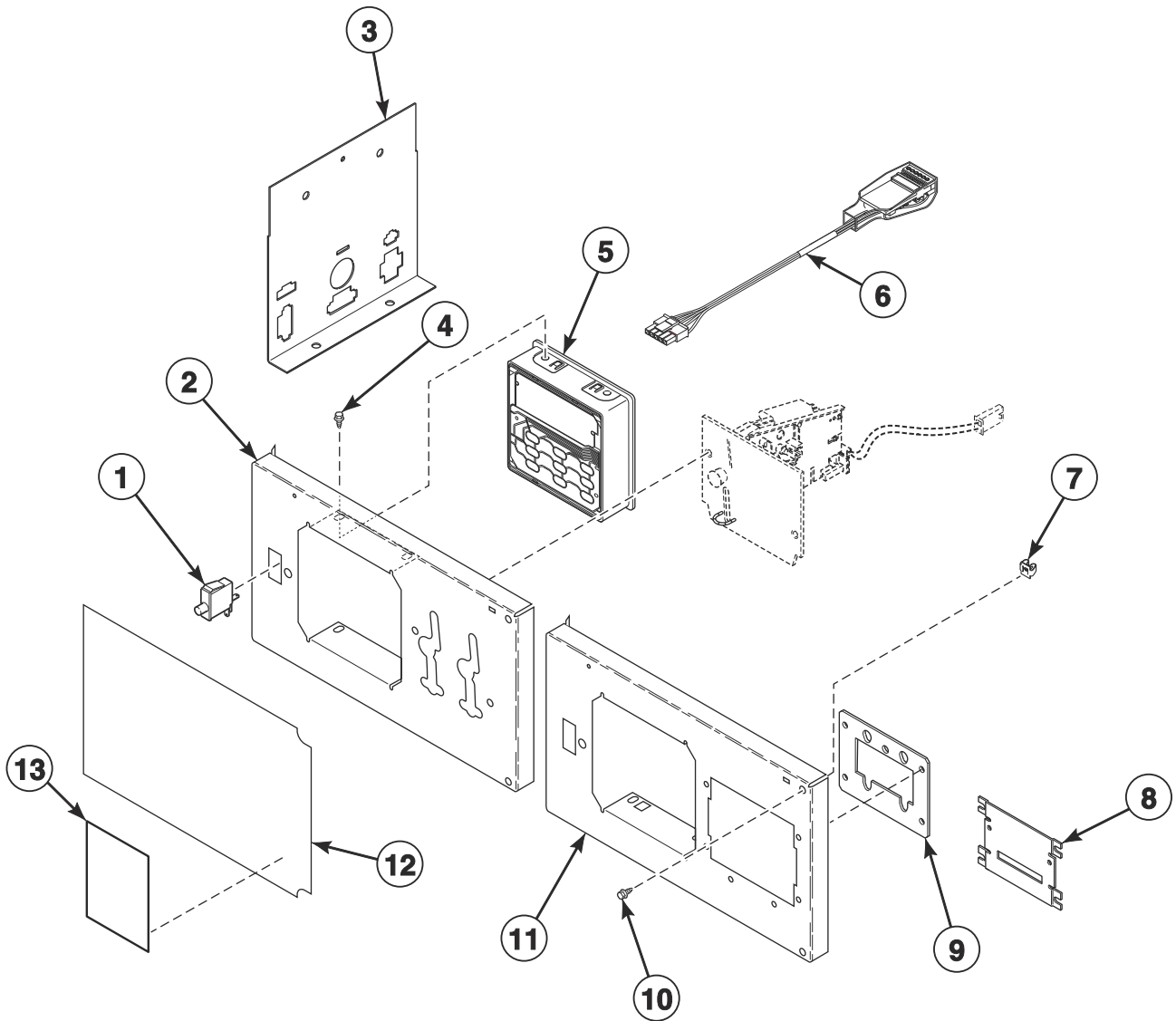
TMB3505P_70594901

Dual Digital Control

REF	PART NO.	DESCRIPTION	COMMENTS
	44334001	Vend Activation Harness	
1	70413301	Pushbutton Switch	
2	70497101	Control Plate	
3	804608	Screw	4 required
4	70479801	Control Assembly	
5	70547502	Overlay	G and K models; Nonreversing
	70547501	Overlay	G and K models; Reversing
	70516802	Overlay	N models; Nonreversing
	70516801	Overlay	N models; Reversing

Electronic Display Control - Vend Models with B in the 7th Position

G, K and N Models



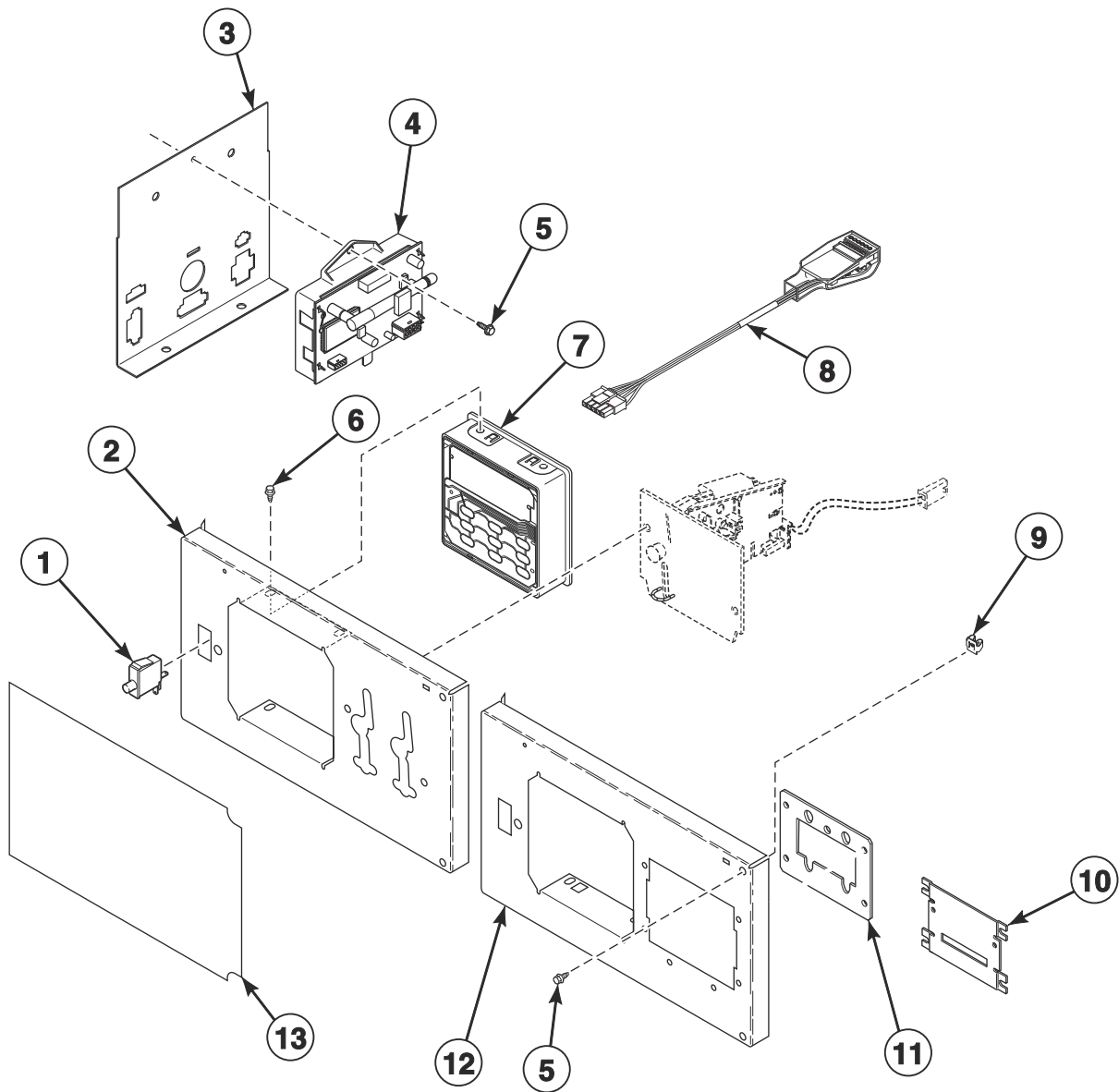
TMB3506P_70594901

Electronic Display Control - Vend Models with B in the 7th Position

REF	PART NO.	DESCRIPTION	COMMENTS
	44334001	Vend Activation Harness	
	44342801	Central Pay Harness	
1	70413301	Pushbutton Switch	
2	70496601	Control Plate and Studs Assembly	Coin and central pay
3	70307007	Harness Mounting Plate	
4	804608	Screw	4 required
5	70478801	Control Assembly	
6	203361P	Machine ID Control Assembly	Model or serial number is required when ordering
7	70030501	Expansion Clip	2 required
8	44089501	Slot Card Plate Assembly	N models; Included in literature packet
9	70208801	Mounting Plate	
10	M411072	Screw	2 required
11	70497201	Control Plate Assembly	Card and card ready
12	70544701	Overlay	N models; Single drop
	70544702	Overlay	N models; Dual drop
	70544703	Overlay	N models; Card ready
	70547401	Overlay	G and K models; Single drop
	70547402	Overlay	G and K models; Dual drop
	70548101	Overlay	G and K models; Card ready
13	F8205101	Overlay	Black; Single drop; Left
	70557001	Overlay	N models; Prep for card
	70557002	Overlay	N models; Central pay

Electronic Display Control - Vend Models with N or W in the 7th Position

M Models



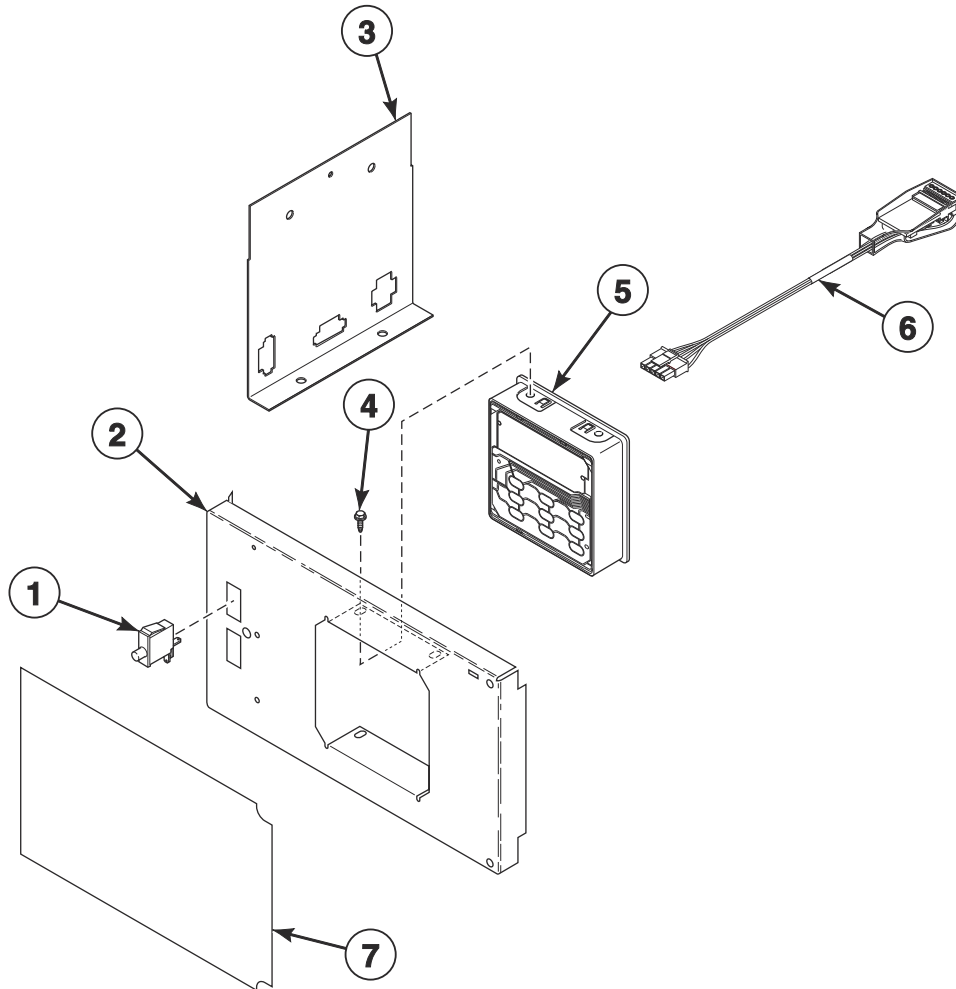
TMB3555P_70594901

Electronic Display Control - Vend Models with N or W in the 7th Position

REF	PART NO.	DESCRIPTION	COMMENTS
	70596301	Wireless Network Kit	
	44334001	Vend Activation Harness	
	F8536002	Wireless Network Board Harness	
1	70413301	Pushbutton Switch	
2	70496601	Control Plate and Studs Assembly	Coin and central pay
3	70307007	Harness Mounting Plate	
4	203532	Wireless Network Control Assembly	
5	M411072	Screw	
6	804608	Screw	4 required
7	70478801	Control Assembly	
8	203361P	Machine ID Control Assembly	Model or serial number is required when ordering
9	70030501	Expansion Clip	
10	44089501	Slot Card Plate Assembly	
11	70208801	Mounting Plate	
12	70497201	Control Plate Assembly	Card and card ready
13	70572601	Overlay	

Electronic Display Control - OPL Models with N in the 7th Position

G, K and N Models

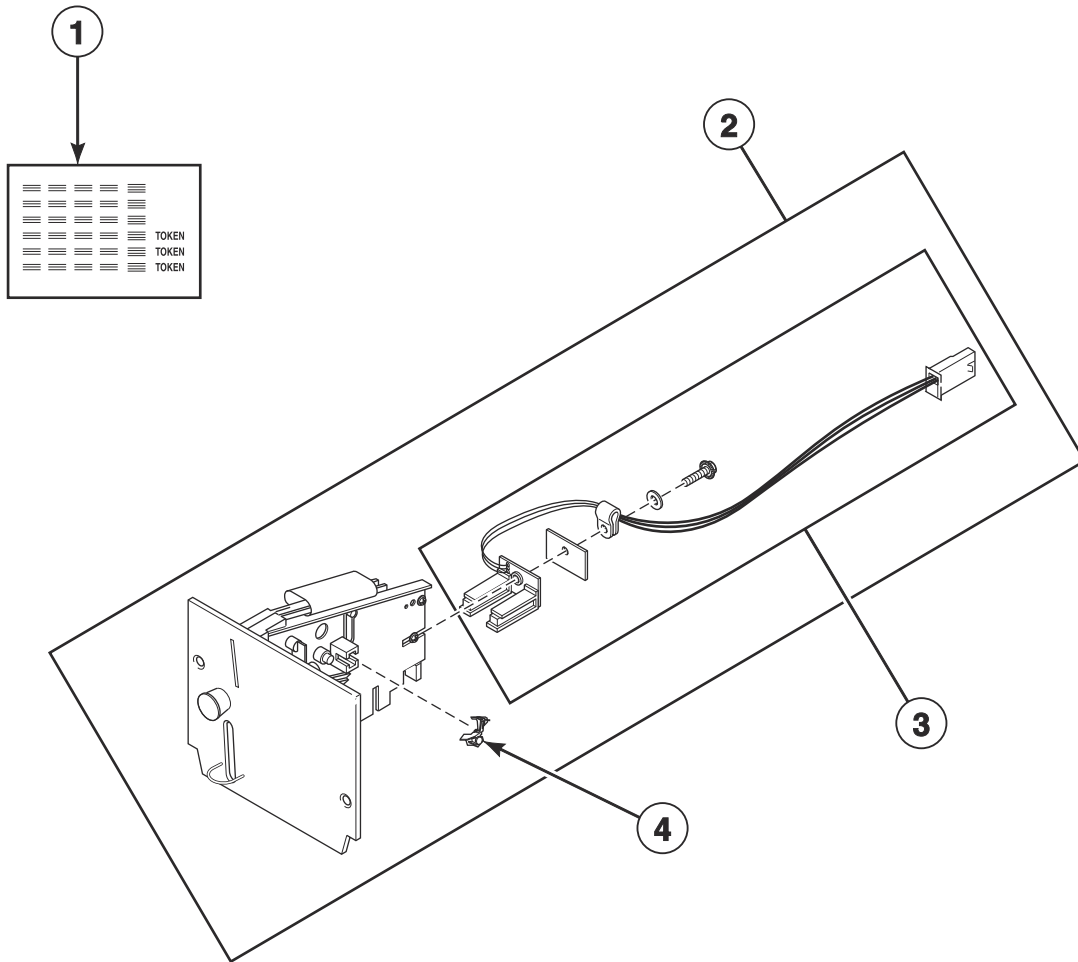


TMB3508P_70594901

Electronic Display Control - OPL Models with N in the 7th Position

REF	PART NO.	DESCRIPTION	COMMENTS
	44334001	Vend Activation Harness	
1	70413301	Pushbutton Switch	
2	70497101	Control Plate	
3	70307007	Harness Mounting Plate	
4	804608	Screw	4 required
5	70478802	Control Assembly	
6	203361P	Machine ID Control Assembly	Model or serial number is required when ordering
7	70547801	Overlay	G and K models; Reversing
	70547802	Overlay	G and K models; Nonreversing
	70572401	Overlay	N models; Reversing
	70572402	Overlay	N models; Nonreversing

Coin Drops

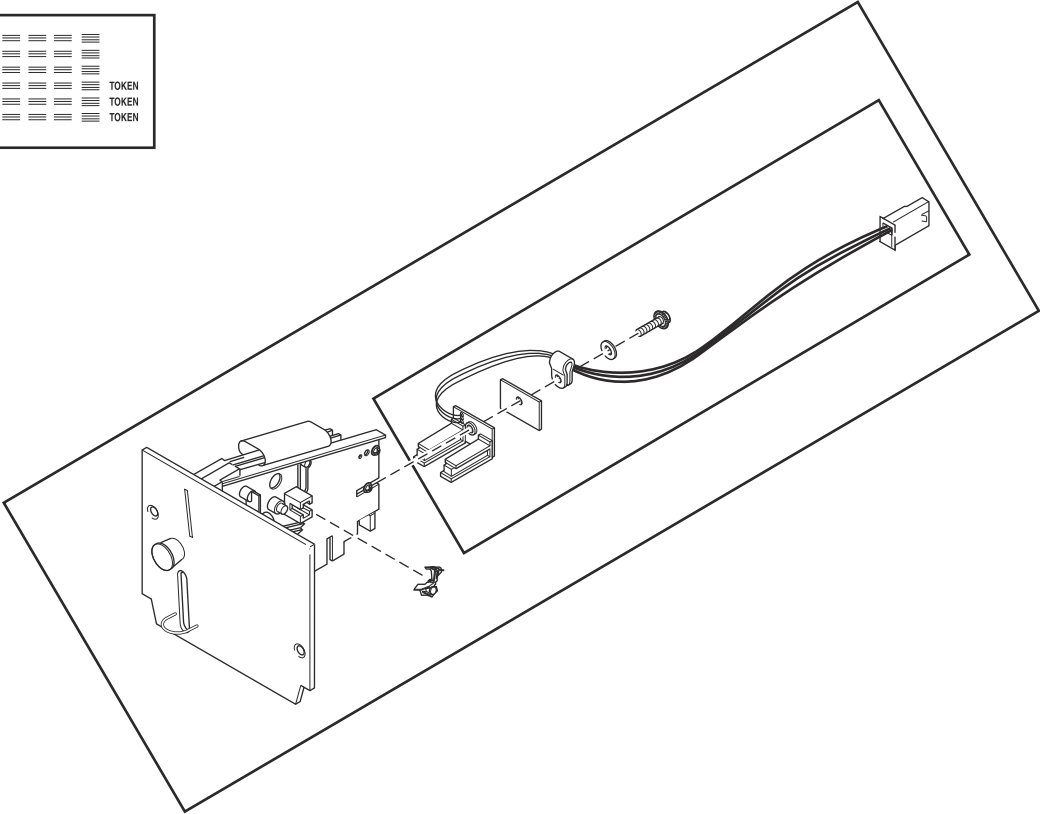
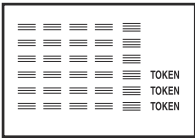


TMB3510P_70594901

Coin Drops

REF	PART NO.	DESCRIPTION	COMMENTS
1	38725	Coin Identification Paper	
2	70441601P	Coin Drop	Single; U.S.A.; \$.25
	38475	Coin Drop Assembly	Single; Japan; 100 yen
	38464P	Coin Drop Assembly	Single; Canada; .25
	CK077	Coin Drop Kit	Single; Taiwan; 10 NT
	70506901	Coin Drop Assembly	Single; Singapore; \$1.00 NEW
	70441603	Coin Drop	Dual; U.S.A.; \$.25 and \$1.00
	38519	Coin Drop Assembly	Dual; Japan; 100 yen and 500 yen
	70441602	Coin Drop Assembly	Dual; Canada; .25 and 1.00
	38467	Coin Drop Assembly	Dual; Australia; \$0.20 and \$1.00
	70447301	Coin Drop Assembly	Dual; Australia; \$1.00 and \$2.00
	70283102	Coin Drop Assembly	Dual; 0.20 and 0.50 Euro
	210195	Coin Drop Assembly	Dual; 0.20 and 1.00 Euro
	210196	Coin Drop Assembly	Dual; 0.50 and 1.00 Euro
	F0160737-00	Coin Meter	Dual; 0.50 and 2.00 Euro
	70281102	Coin Drop Assembly	Dual; Taiwan; 10 and 50 NT
	70482401	Coin Drop Assembly	Dual; New Zealand ; \$1.00 and \$2.00
	38462P	Coin Drop Assembly	Single; Token; STD 118-1
	38463	Coin Drop Assembly	Single; Token; STD 118-5
	38963P	Coin Drop	Single; Token STD 118-16
	39748	Coin Drop	Single; Jeton 08MS
	201141	Coin Drop Assembly	Single; Token; Jeton wh121
	70471601	Coin Drop Assembly	Single; Token; 7K
	70513302	Electronic Coin Drop Assembly	Euro and Great Britain coins
	70513310	Electronic Coin Drop Assembly	Japan and Thailand coins
	70513304	Electronic Coin Drop Assembly	Australia, New Zealand, Hong Kong and South Korea coins
	70513303	Electronic Coin Drop Assembly	Denmark, Norway and Euro coins
	70513306	Electronic Coin Drop Assembly	Mexico, Ecuador and U.S.A. coins
	70294107	Electronic Coin Drop Assembly	Lithuania, Latvia and Euro coins
	70513311	Electronic Coin Drop Assembly	China and Malaysia coins
	70513308	Electronic Coin Drop Assembly	South African 1, 2 and 5 rand coins
	70513309	Electronic Coin Drop Assembly	Euro coins
	70513312	Electronic Coin Drop Assembly	Russia coins
	70513313	Electronic Coin Drop Assembly	Phillipines coins
	70513314	Electronic Coin Drop Assembly	Thailand coins
	70513315	Electronic Coin Drop Assembly	Chile coins
	70513316	Electronic Coin Drop Assembly	Singapore coins
3	200674P	Opto Coupler	
4	201595P	Wire Guard	

Coin Drop Kits

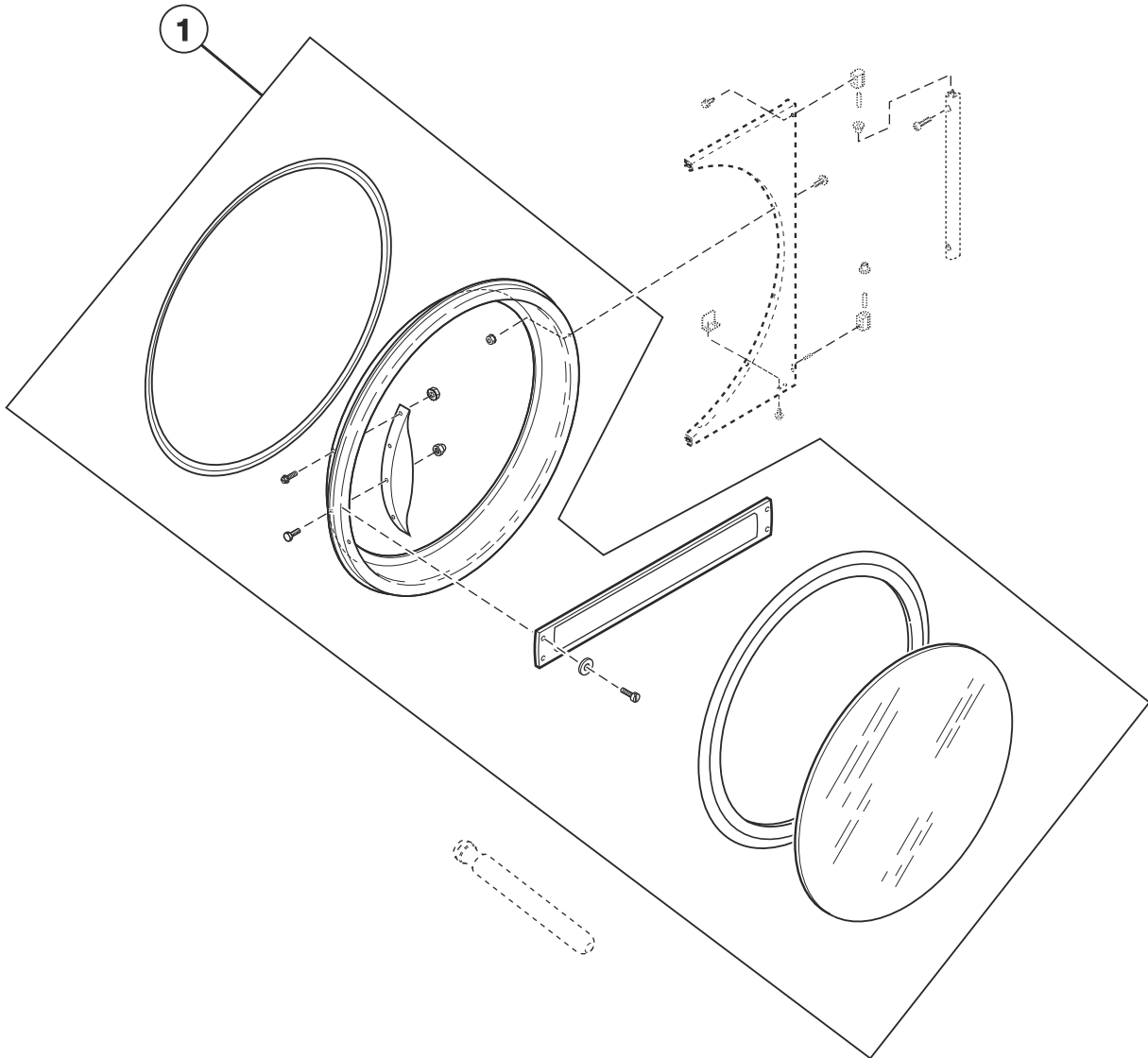


TMB3510PA_70594901

Coin Drop Kits

REF	PART NO.	DESCRIPTION	COMMENTS
	CK115	Electronic Coin Drop Kit	United States and Canada
	CK099	Electronic Coin Drop Kit	Australia (default), New Zealand, Hong Kong, South Korea and Malaysia
	CK100	Electronic Coin Drop Kit	United Kingdom (default) and Europe
	CK101	Electronic Coin Drop Kit	Europe (default), Denmark and Norway
	CK108	Electronic Coin Drop Kit	South Africa
	CK109	Electronic Coin Drop Kit	Euro
	CK110	Electronic Coin Drop Kit	Mexico (default), Ecuador and United States
	CK113	Electronic Coin Drop Kit	Japan and Taiwan
	CK116	Electronic Coin Drop Kit	Malaysia (default) and China
	CK117	Electronic Coin Drop Kit	Russia
	CK118	Electronic Coin Drop Kit	Philippine
	CK119	Electronic Coin Drop Kit	Thailand
	CK120	Electronic Coin Drop Kit	Chile
	CK121	Electronic Coin Drop Kit	Singapore
	CK122	Coin Drop Kit	New Zealand; 1.00 and 2.00

Door Assemblies

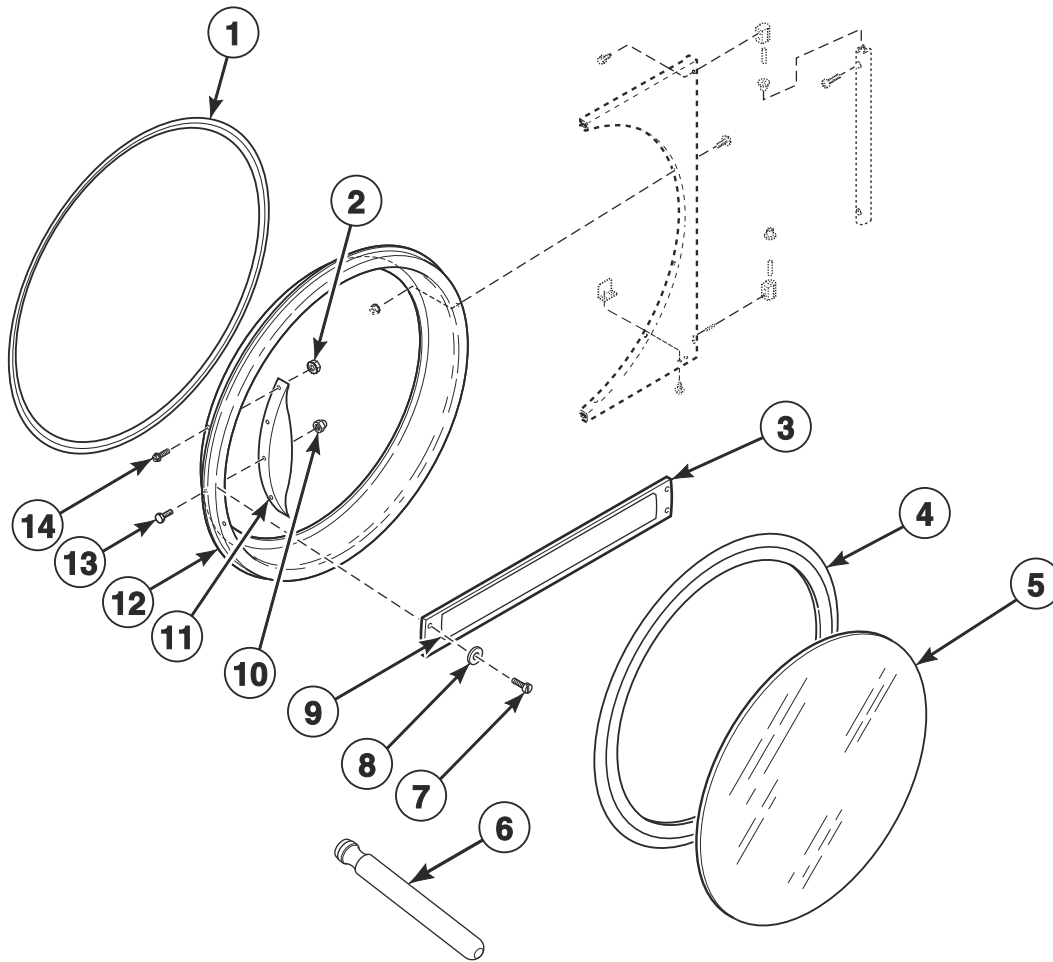


TMB3152P_70594901

Door Assemblies

REF	PART NO.	DESCRIPTION	COMMENTS
1	70212300	Door Assembly	M models; Stainless steel
	70212301	Door Assembly	N models
	70212302	Door Assembly	M models; Chrome
	70408901	Door Assembly	G and K models; Includes handle

Door Components

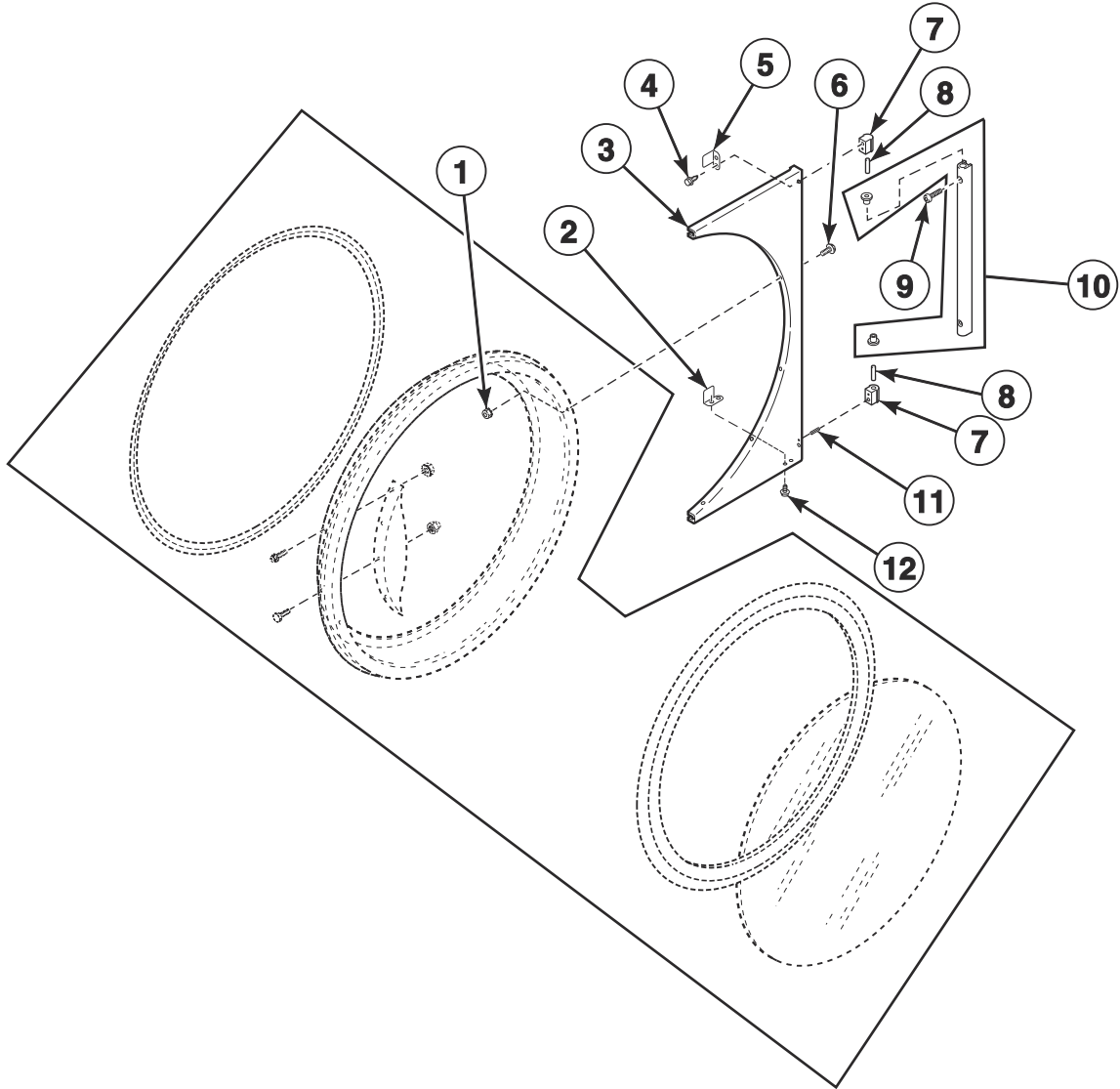


TMB3152PA_70594901

Door Components

REF	PART NO.	DESCRIPTION	COMMENTS
1	70296801	Door Ring Gasket	
2	44088001	Nut	M and N models; 4 required
3	70399502B	Handle Bar	G and K models
4	70211901P	Door Glass Seal Kit	Use Loctite 414 for seal
5	M400784P	Door Glass	
6	M4221P4	Door Glass Installation Tool	
7	70412601	Pop Rivet	G and K models; Attaches door handle to door ring
8	70409301	Washer	G and K models
9	70414001	Label	G and K models; Coin
10	M414215	Nut	For door strike; Mounts between door strike screw and door handle
11	44007902P	Door Handle	M and N models
12	70543904B	Door Ring Assembly	N models
	70543905	Door Ring Assembly	M models; Chrome
	70543903B	Door Ring	G and K models
	70543901	Door Ring Assembly	M models; Stainless steel
13	M400661	Screw	Door Strike
14	70442101	Screw	M and N models; 4 required

Hinge Components



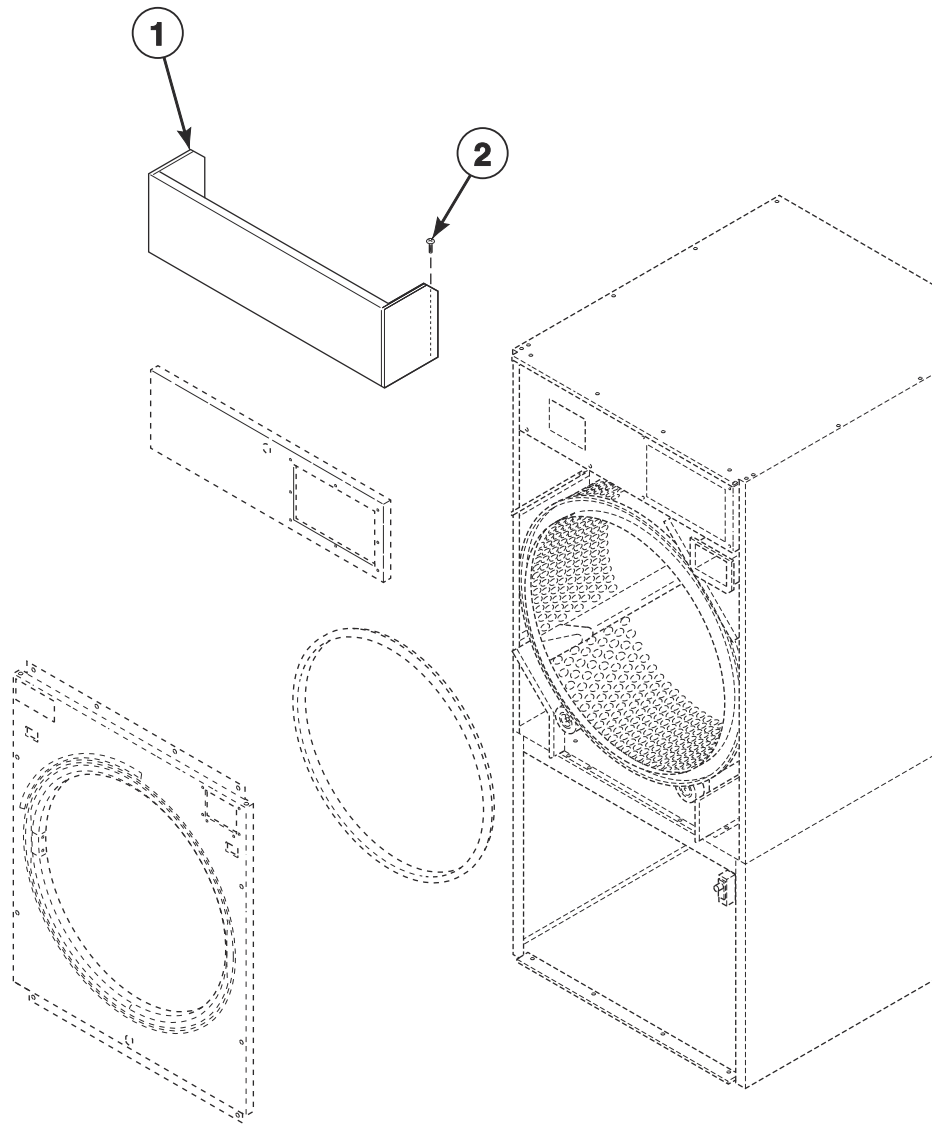
TMB3459P_70594901

Hinge Components

REF	PART NO.	DESCRIPTION	COMMENTS
1	44088001	Nut	
2	70532101	Door Switch Actuator	Bottom
3	70115901*	Door Hinge	M and N models
	70115904	Door Hinge	M models; Stainless steel
	70115903B	Door Hinge	Black; G, K and N models
4	70576101	Screw	
5	70532102	Door Switch Actuator	Top
6	M400044	Screw	
7	M4772P3	Cam and Hinge Kit	M models
	M4773P3	Cam and Hinge Kit	Black; G, K and N models
8	70071401	Pin	
9	70033502	Screw	M models
	70407301	Screw	Black; G, K and N models
10	44035001	Door Hinge Lug Assembly	M models
	44035002	Door Hinge Lug Assembly	Black; G, K and N models
11	70436301	Screw	
12	70058501	Pop Rivet	

* Add Letter To Designate Color. Q - Bisque W - White

False Fronts



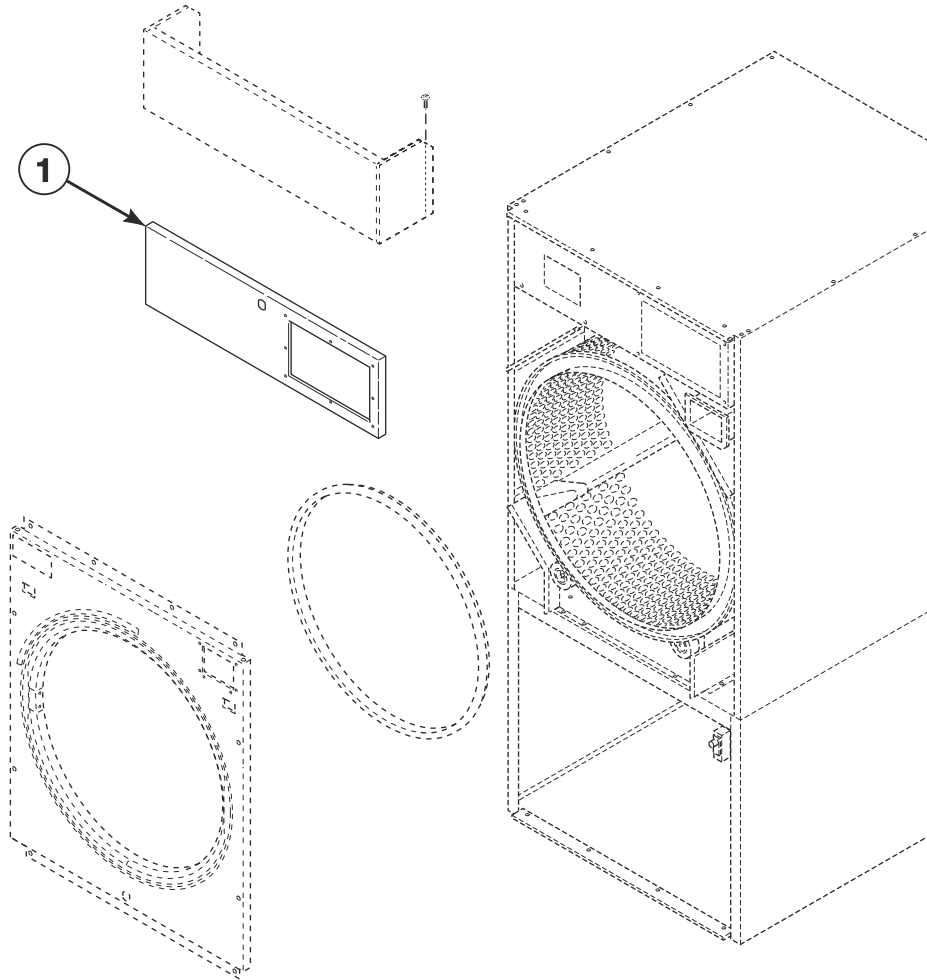
TMB3511P_70594901

False Fronts

REF	PART NO.	DESCRIPTION	COMMENTS
1	70021101*	False Front	72 inches
	70021104	False Front	72 inches; Stainless steel
	70024001*P	False Front Assembly	76 inches
	70024004	False Front	76 inches; Stainless steel
2	M405188	Screw	4 required

* Add Letter To Designate Color. Q - Bisque W - White

Control Panels



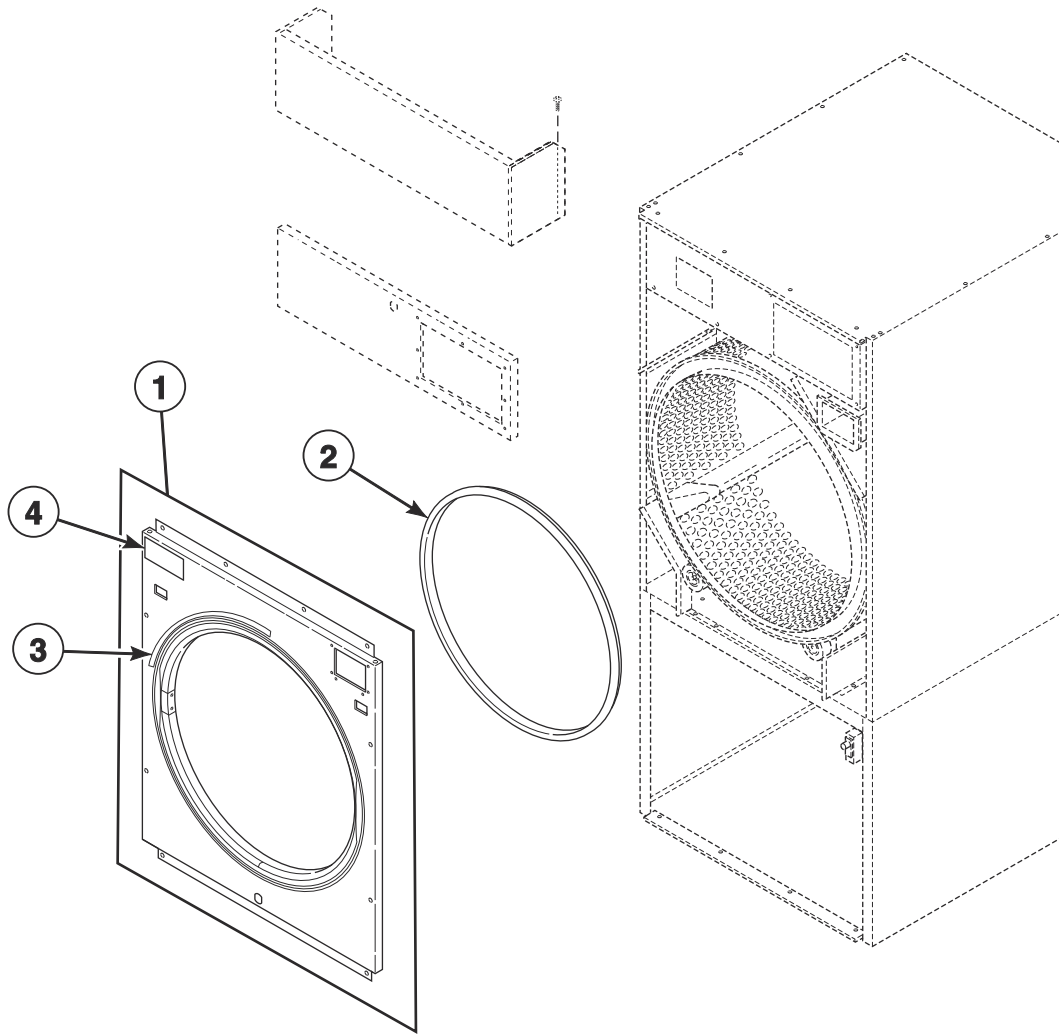
TMB3511PA_70594901

Control Panels

REF	PART NO.	DESCRIPTION	COMMENTS
1	70273405*	Control Panel	G and K models
	70273414	Control Panel	G and K models; Stainless steel
	70121305*	Control Panel	M and N models
	70121309	Control Panel	M and N models; Stainless steel

* Add Letter To Designate Color. Q - Bisque W - White

Front Panel Assemblies



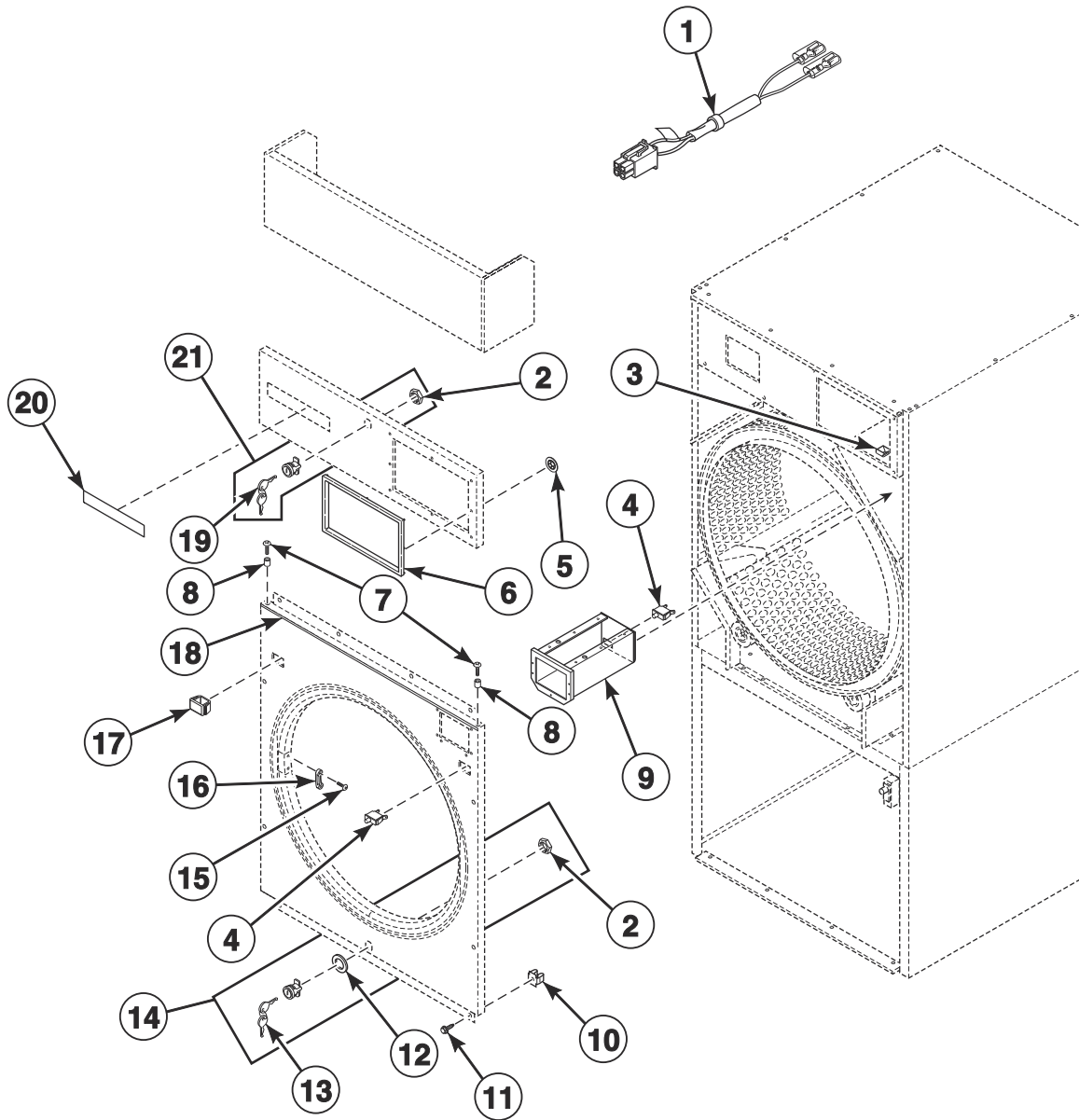
TMB3511PB_70594901

Front Panel Assemblies

REF	PART NO.	DESCRIPTION	COMMENTS
1	70524201*	Front Panel	Coin
	70524202	Front Panel	Coin; Stainless steel
	70524203*	Front Panel	Card and central pay
	70524204	Front Panel	Card and central pay; Stainless steel
	70524220*	Front Panel	OPL
	70524221*	Front Panel	OPL; Stainless steel
2	70173401P	Front Panel Seal	
3	70534301	Warning Label	English
	70534302	Warning Label	French
	70534300	Label Kit	Warning; IEC models
4	70537001	Label	M and N models; C.A.R.E.
	70537101	Label	G and K models; F.S.S.

* Add Letter To Designate Color. Q - Bisque W - White

Cabinet Front Components

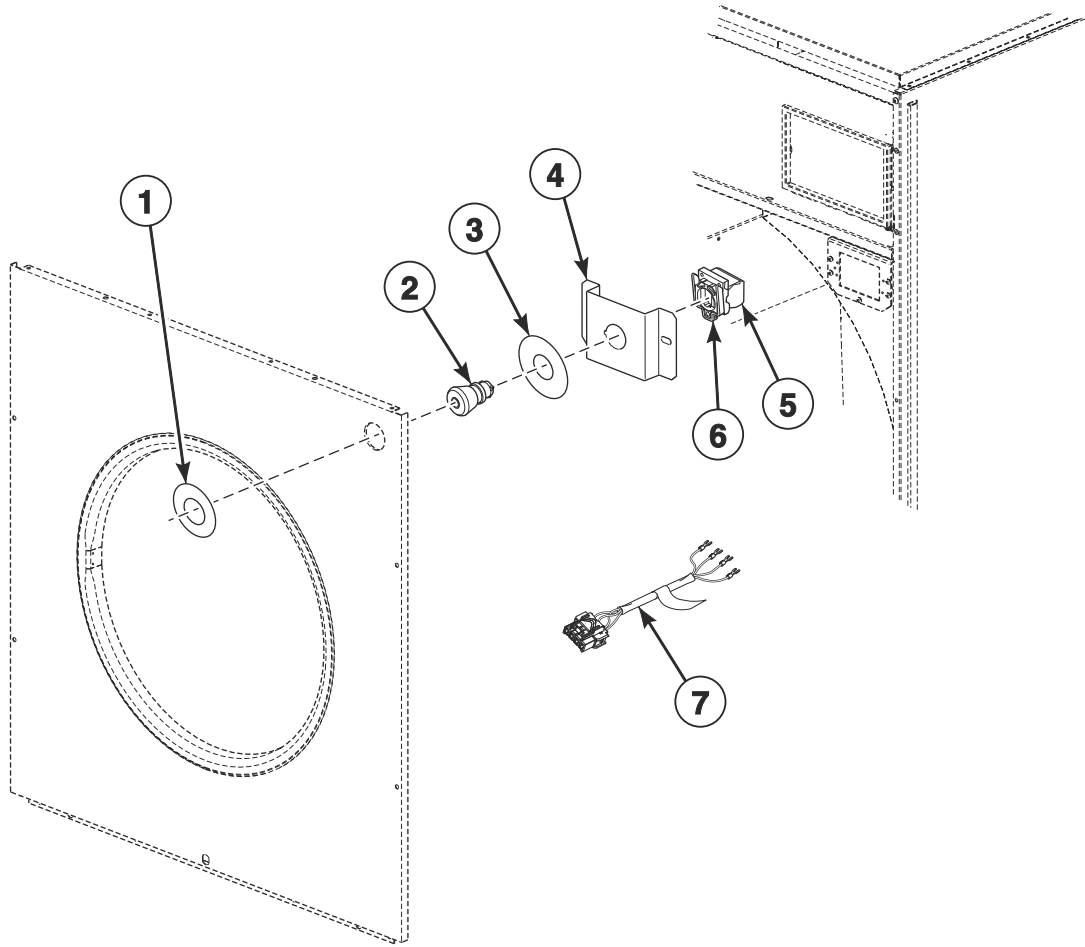


TMB3556P_70594901

Cabinet Front Components

REF	PART NO.	DESCRIPTION	COMMENTS
	44334103	Bypass Harness	Card and central pay
	D511476	Jumper Harness	Card reader present
1	44334101	Coin Vault Switch Harness	
2	44088801	Nut	
3	70296401	Coin Chute Assembly	
4	70413301	Pushbutton Switch	
5	M400977	Nut	6 required
6	44016401	Control Trim	K, M and N models; Black
7	39733	Screw	
8	56079	Panel Locator	9 required
9	70529501	Coin Vault Assembly	
	70529502	Coin Vault and Emergency Stop Mount Assembly	Models with emergency stop
	F160673P	Coin Box	Optional equipment; Includes lock and key
10	70030501	Expansion Clip	8 required
11	M411072	Screw	8 required
12	70342401	Lock Shim	
13	70155602	Key	RL002
14	44089302P	Lock, Key and Nut Kit	RL002
	44089305	Panel Lock	RL002; Chrome
15	44166601	Pop Rivet	
16	M401223	Door Latch	
17	44057801W	Switch Hole Plug	White
	44057801Q	Switch Hole Plug	Bisque
	44057801B	Switch Hole Plug	Black
18	70399401	Access Panel Trim	G and K models
	70399412	Access Panel Trim	G and K models; Coin
19	70155601	Key	RL001
20	70411401	Nameplate Overlay	G models; Coin
	70410201	Nameplate Overlay	G models; OPL
	44144401	Nameplate Overlay	K models; Coin
	44130201	Nameplate Overlay	K models; OPL
21	44089301P	Lock, Key and Nut Kit	RL001
	44089304	Panel Lock	RL001; Chrome

Emergency Stop Button

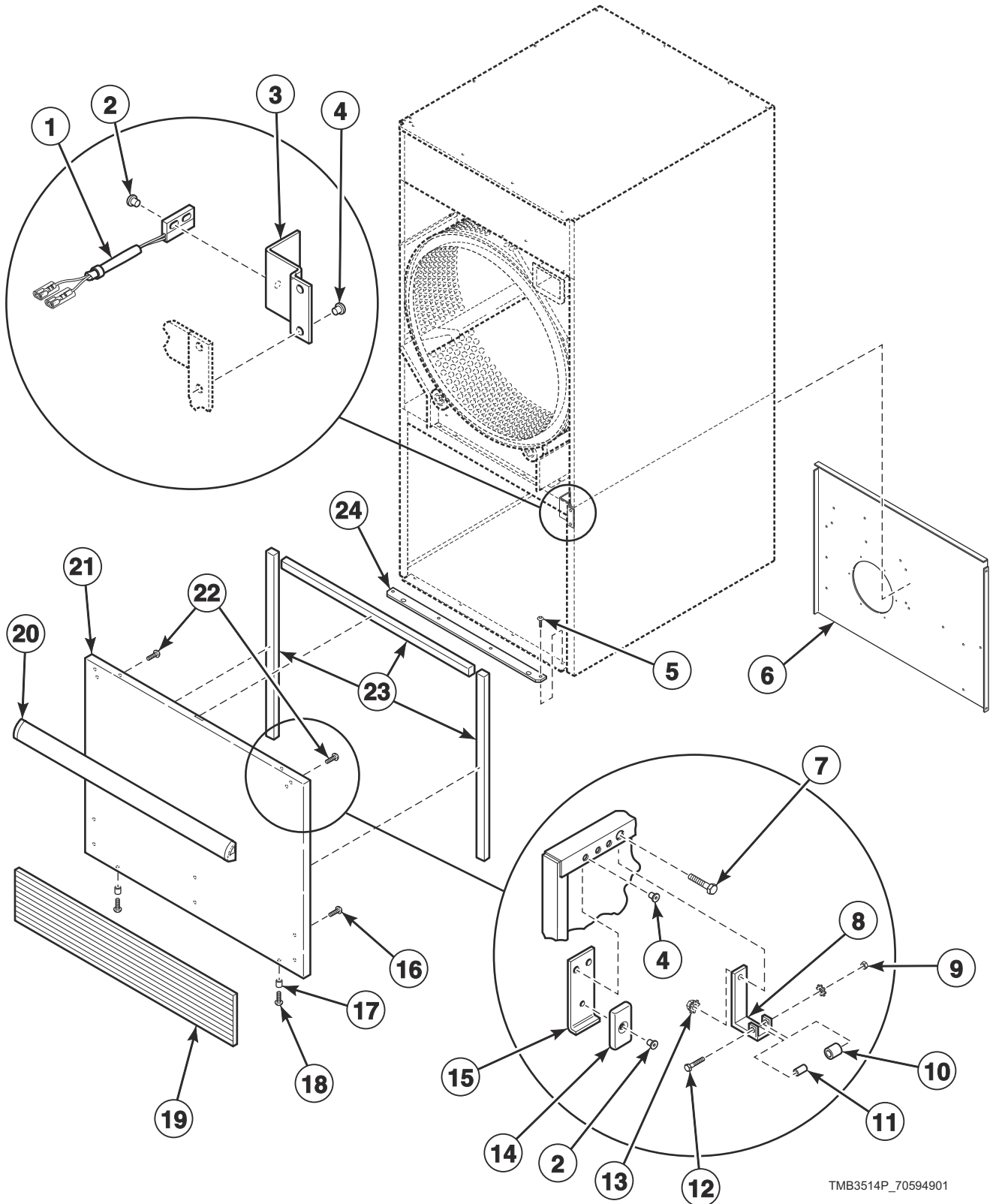


TMB3513P_70594901

Emergency Stop Button

REF	PART NO.	DESCRIPTION	COMMENTS
	70580301	Emergency Stop Button Kit	Includes items 2-4
	F8519403	Emergency Stop Bypass Harness	Coin, card and central pay
1	44012903	Emergency Stop Label	
2	F200233500	Emergency Stop Pushbutton	
3	44012901	Emergency Stop Label	
4	70550401	Emergency Stop Mounting Bracket	
5	F8069501	Contact Switch	2 required
6	F8538101	Contact Base	
7	44272401	Emergency Stop Harness	

Lower Cabinet Components



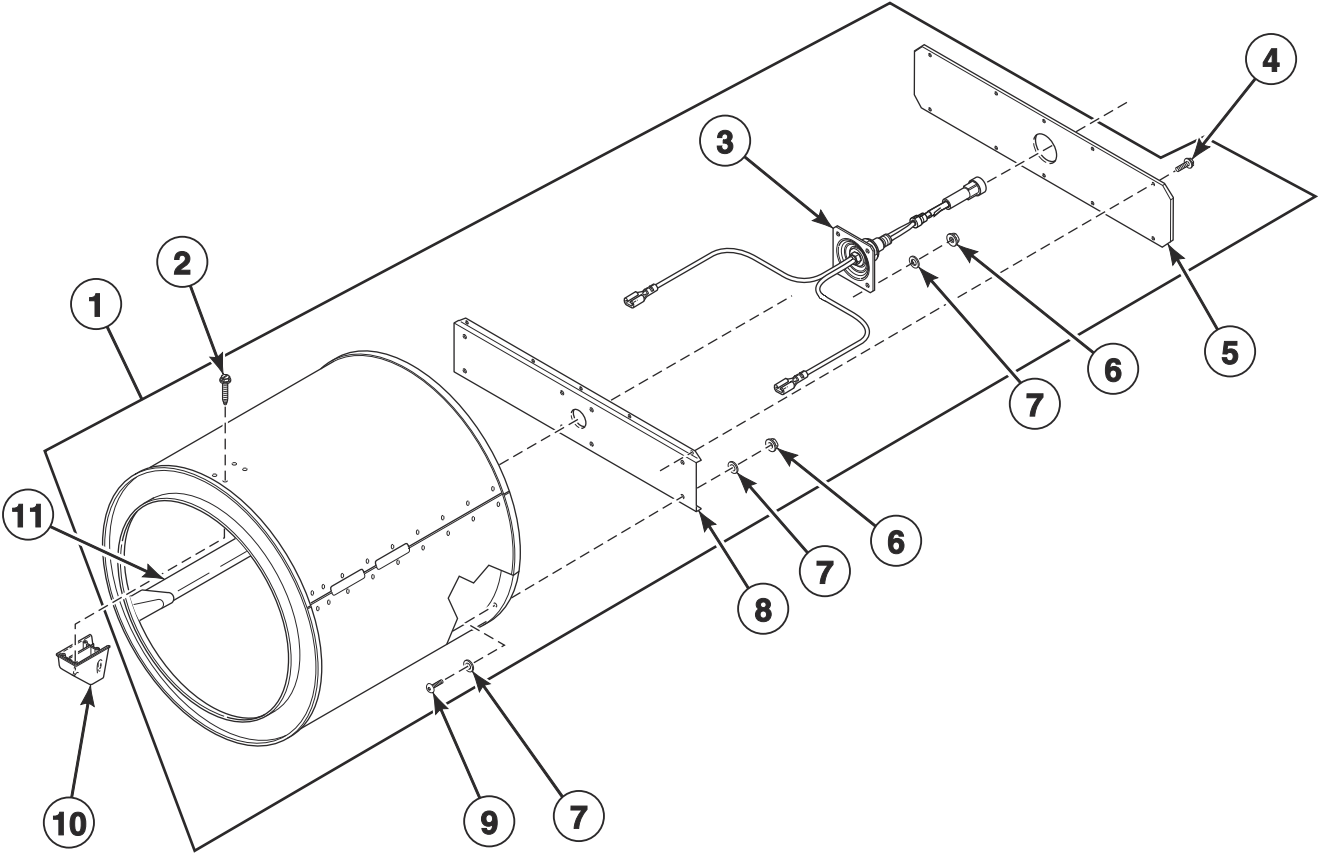
TMB3514P_70594901

Lower Cabinet Components

REF	PART NO.	DESCRIPTION	COMMENTS
1	F8066804	Reed Switch Assembly	
2	F8245101	Blind Rivet	
3	70508501	Switch Bracket	
4	70058501	Pop Rivet	
5	430497	Screw	
6	70564401	Rear Lint Panel	
7	70132301	Screw	Attaching roller catch
8	70030301	Roller Catch Arm	
9	23951	Nut	
10	70297601	Roller Catch Wheel	
11	70030201	Roller Catch Spacer	
12	70072801	Screw	
13	51236	Nut	Attaching roller catch
14	70343101	Magnet	
15	44290501	Magnet Bracket	
16	70126301	Pop Rivet	For attaching kickplate; Black; 6 required
	70126401	Pop Rivet	For attaching kickplate; Gray; 6 required
17	56079	Panel Locator	
18	39733	Screw	
19	70117603	Kickplate	Black
20	70154403	Handle and Caps Assembly	M and N models; Black
	70407201	Handle Bumper	G and K models
21	70515501*	Lint Panel	
	70515502	Lint Panel	Stainless steel
22	430757	Screw	For attaching handle; 6 required
23	70289101P	Lint Panel Gasket	Sold per foot
24	70016701	Lint Panel Pivot Plate	

* Add Letter To Designate Color. Q - Bisque W - White

Cylinder and Trunnion Assembly

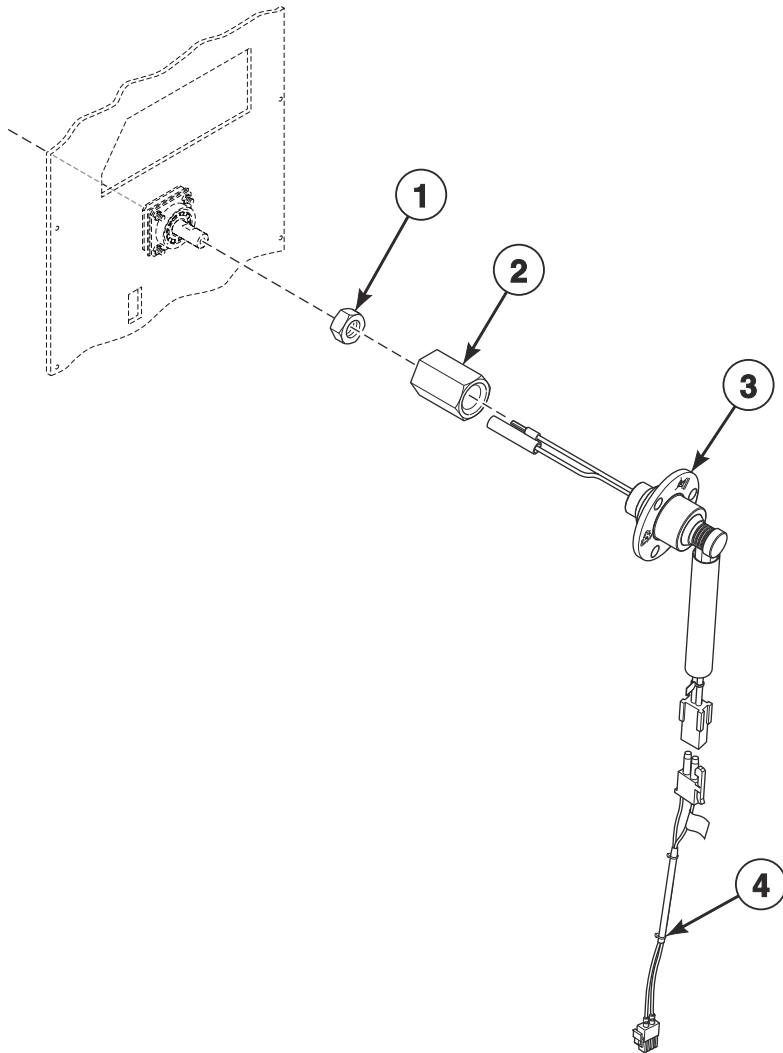


TMB3358P_70594901

Cylinder and Trunnion Assembly

REF	PART NO.	DESCRIPTION	COMMENTS
	70343101P	Drywall Screw Magnet Kit	
1	70372603P	Cylinder Assembly	G and K models; Non-moisture sensing
	70435203	Cylinder and Trunnion Assembly	G and K models; Moisture sensing
	70372601P	Cylinder Assembly	M and N models; Galvanized; Non-moisture sensing
	70435201	Cylinder and Trunnion Assembly	M and N models; Galvanized; Moisture sensing
	70372602P	Cylinder Assembly	M and N models; Stainless steel; Non-moisture sensing
	70435202	Cylinder and Trunnion Assembly	M and N models; Stainless steel; Moisture sensing
2	62588	Screw	12 required
3	70564803	Trunnion and Seal Kit	Includes 70013702 Rear Cylinder Seal; Non-moisture sensing
	70564804	Trunnion and Seal Kit	Moisture sensing; Includes 70454601 Trunnion and Wire Assembly
4	430497	Screw	10 required
5	70257201	Rear Cylinder Channel Plate	
6	44087201	Nut	8 required
7	70411301	Washer	
8	70257101	Rear Cylinder Channel	Non-moisture sensing
	70257102	Rear Cylinder Channel	Moisture sensing
9	70391101	Screw	8 required
10	70070101	End Cap	Non-moisture sensing
	70070102	End Cap	Moisture sensing
11	70433001	Cylinder Rib Assembly	Moisture sensing

Moisture Sensing Components

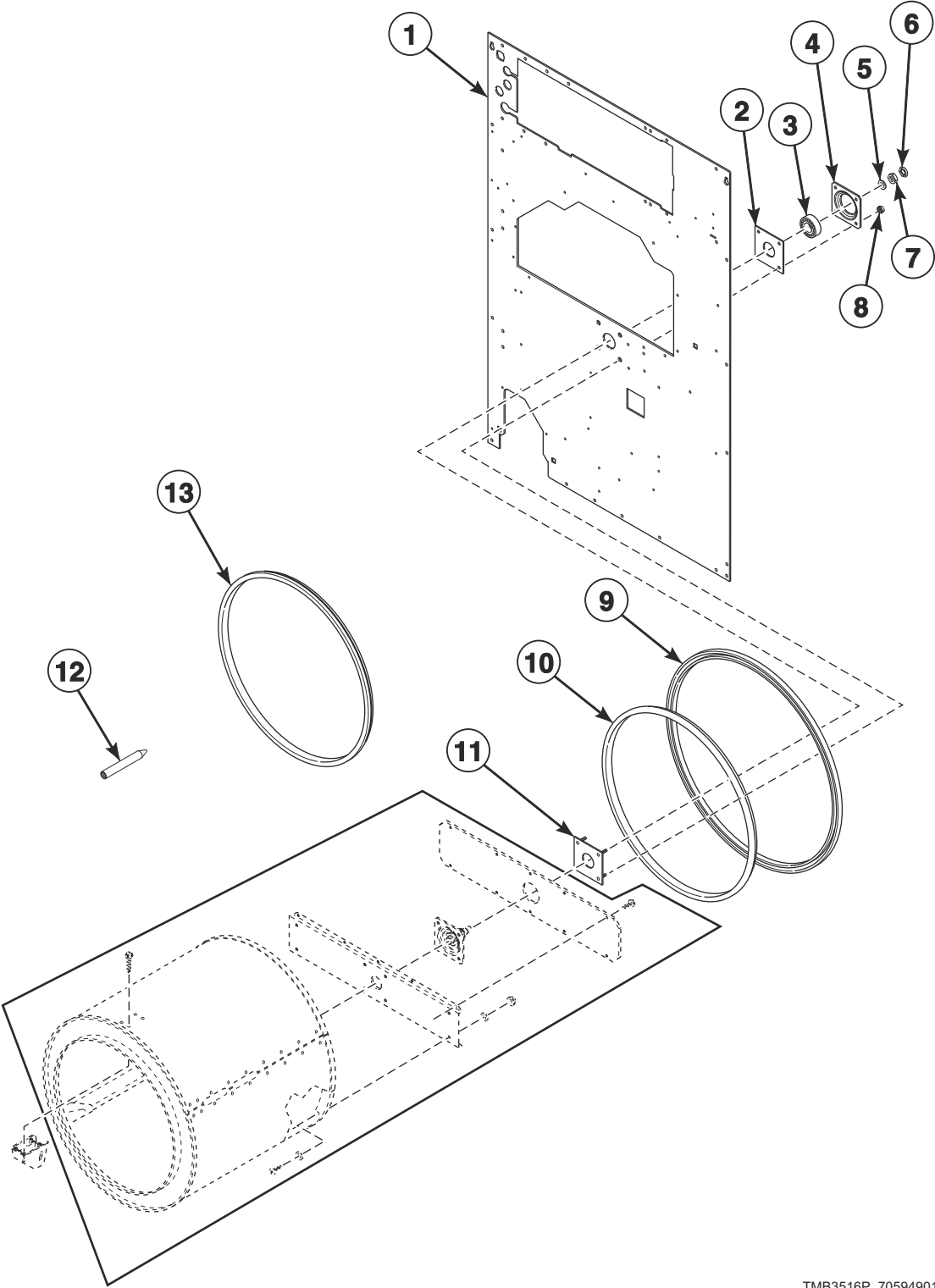


TMB3147P_70594901

Moisture Sensing Components

REF	PART NO.	DESCRIPTION	COMMENTS
1	M400022	Nut	
2	70455401	Slip Ring Holder	
3	44222701	Slip Ring Assembly	
4	44333903	Moisture Sensor Harness	

Cylinder Components

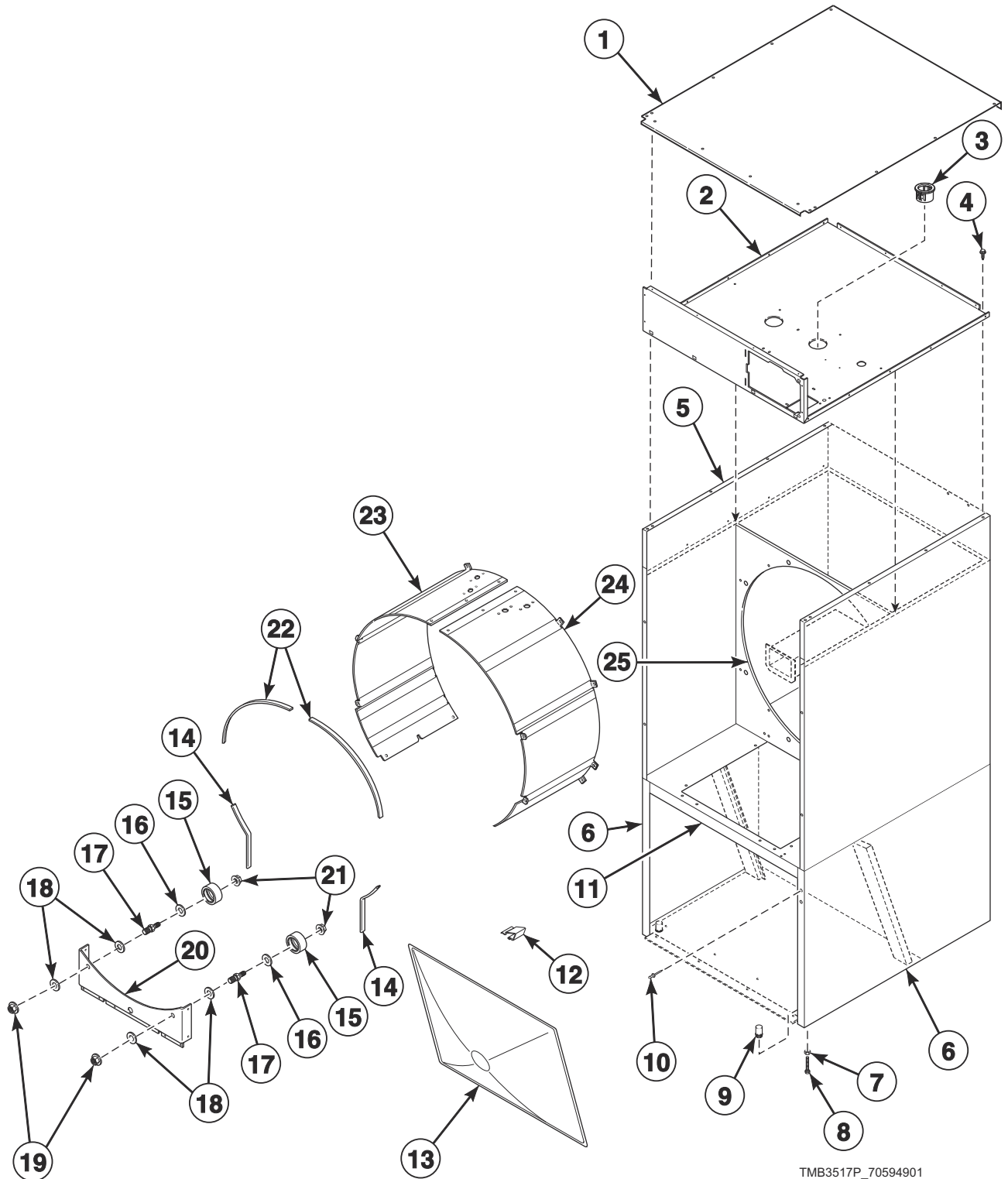


TMB3516P_70594901

Cylinder Components

REF	PART NO.	DESCRIPTION	COMMENTS
	70343101P	Drywall Screw Magnet Kit	
	430260P	Support Housing Bearing Assembly	Includes items 3, 4 and Loctite
1	70564701	Rear Panel	Gas models
	70564703	Rear Panel	Gas models; With fire suppression
	70564702	Rear Panel	Electric and steam models
	70564704	Rear Panel	Steam models; With fire suppression
2	70355001	Rear Bearing Shim	
3	70448701	Support Bearing	
4	70013901	Rear Cylinder Bearing Housing	
5	M400991	Washer	
6	M400034	Nut	
7	M400022	Nut	
8	M412986	Nut	4 required
9	70506402	Rear Cylinder Seal Support	
10	70013701	Rear Cylinder Seal	Use with D511637P Adhesive
11	430352	Cylinder Bearing Stud Plate Assembly	
12	263P4	Cylinder Guide Tool	
13	70066003	Center Cylinder Seal Assembly	

Cabinet Components



TMB3517P_70594901

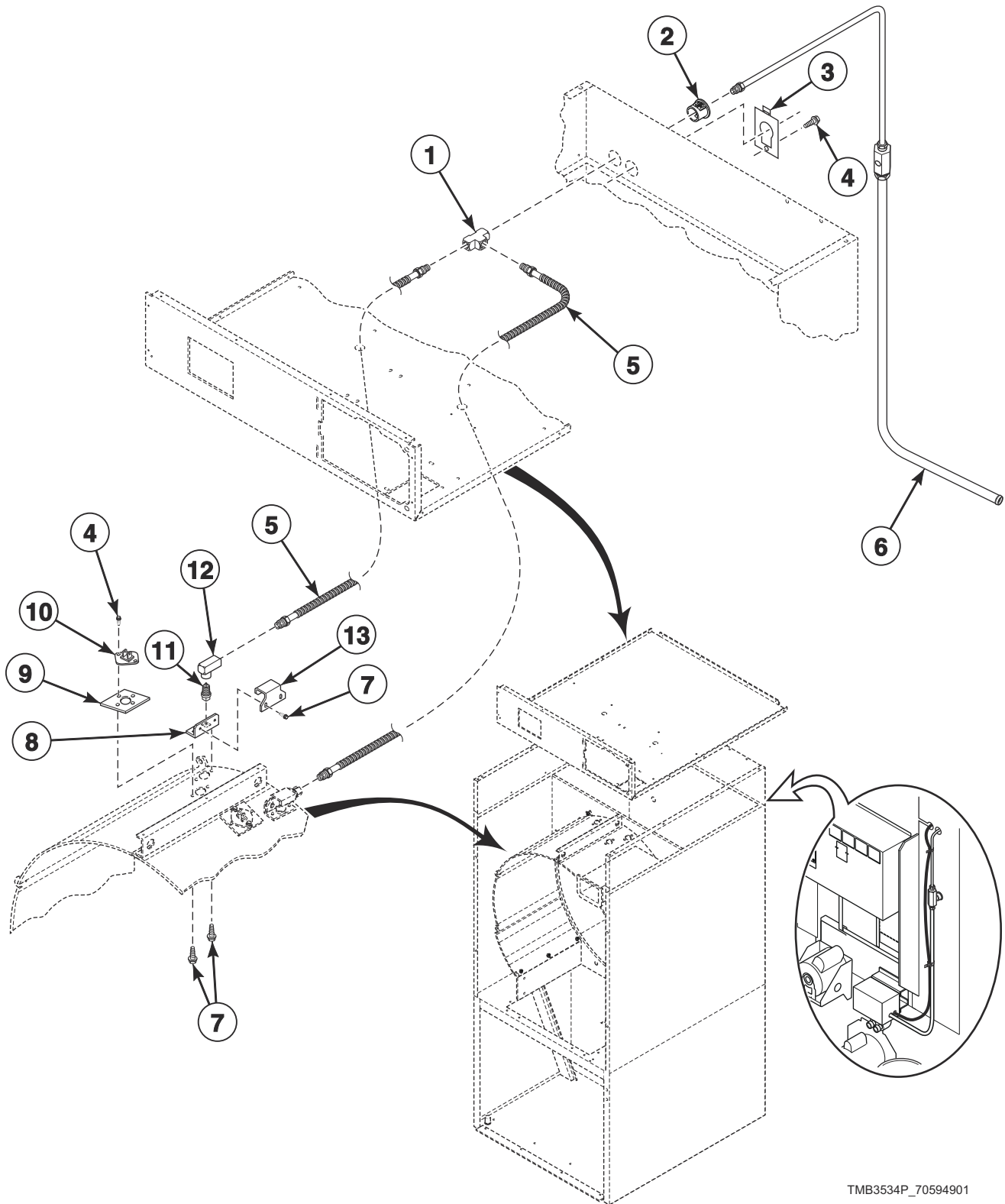
Cabinet Components

REF	PART NO.	DESCRIPTION	COMMENTS
	M4379P4	Tumbler Dolly Kit	
	298P4P	Spray Paint	White
	381P4	Spray Paint	Bisque
	122P4P	Porcelain Touch-Up Paint	White
	370P4P	Porcelain Touch-Up Paint	Bisque
1	70557501	Top Panel	
2	70555201	Top Pan	
3	70346501	Bushing	
4	430497	Screw	
5	70021502*P	Side Panel	Upper
6	70253801*P	Side Panel	Lower
7	21899	Nut	
8	70247701	Screw	
9	70063201	Hole Plug	
10	70058501	Pop Rivet	16 required; Upper side panel
11	70564501	Center Pan	
12	35865	Hold-Down Clip	
13	70325601	Lint Screen	
14	70015711	Sheet Metal Edge Gasket	Lower
15	70568201	Roller and Seal Kit	
16	70443601	Roller Seal	
17	70249501	Roller Shaft	
18	70261401	Washer	
19	M404993	Nut	
20	70328301	Roller Support Bracket	
21	430576	Nut	
22	70015710	Sheet Metal Edge Gasket	Upper
23	70432306	Cylinder Shroud	Left; With fire suppression
	70347002	Cylinder Shroud	Left
24	70432305	Cylinder Shroud	Right; With fire suppression
	70347001	Cylinder Shroud	Right
25	70252601	Center Partition	

* Add Letter To Designate Color. Q - Bisque W - White

Fire Suppression System Components

G and K Gas and Steam Models



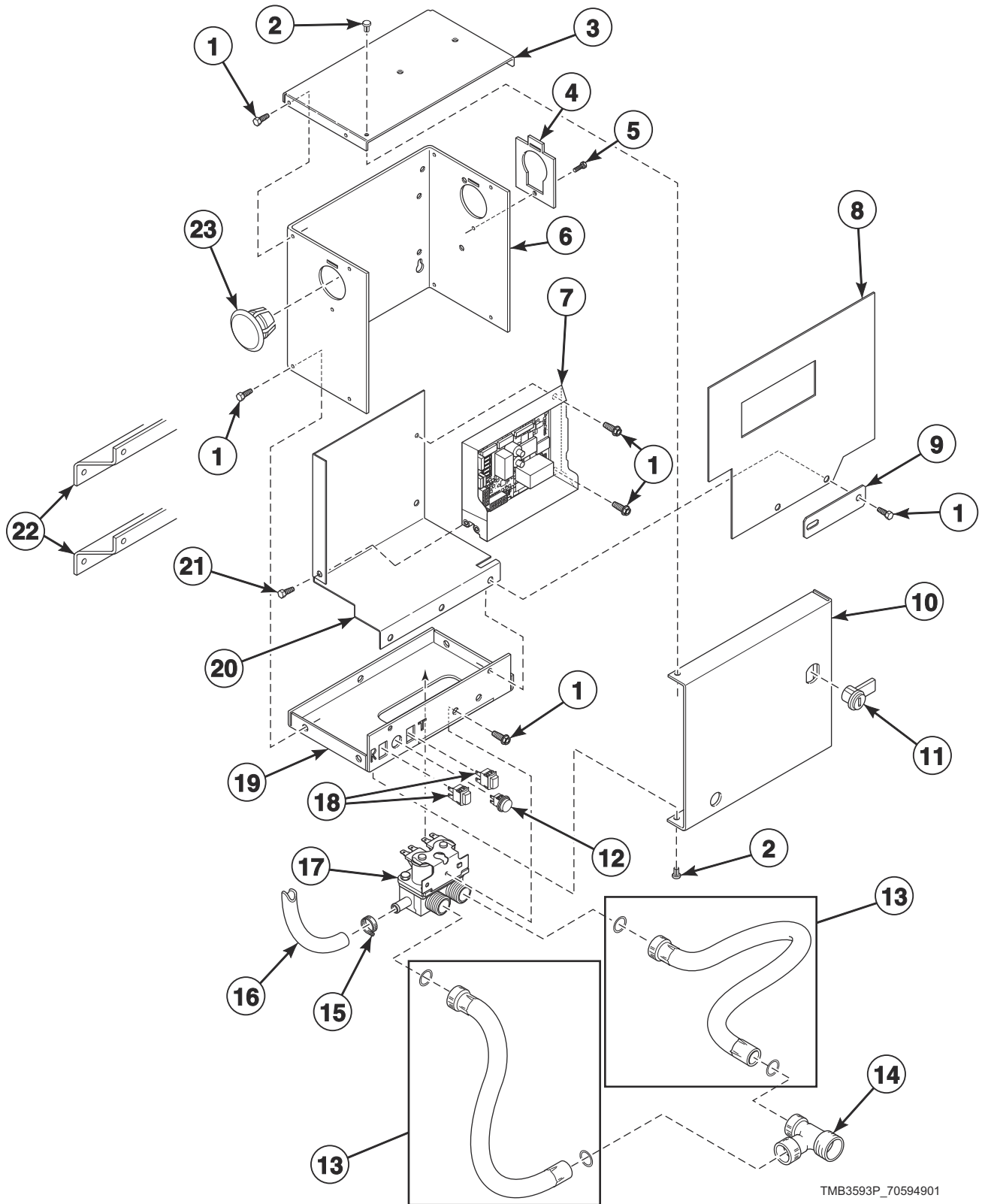
TMB3534P_70594901

Fire Suppression System Components

REF	PART NO.	DESCRIPTION	COMMENTS
1	70427901	Union Tee	
2	70178701	Snap Bushing	
3	70523301	Harness Adapter Plate	
4	51780	Screw	4 required
5	70427701	Spray Nozzle Hose	2 required
6	70427601	Tube Assembly	
7	430497	Screw	12 required
8	70424201	Nozzle Bracket	2 required
9	70424401	Thermistor Plate	2 required
10	44064701	Thermistor	2 required
11	70427801	Spray Nozzle	2 required
12	70428101	Elbow	2 required
13	70428601	Nozzle Bracket	2 required

Fire Suppression System Control Box

G and K Gas and Steam Models

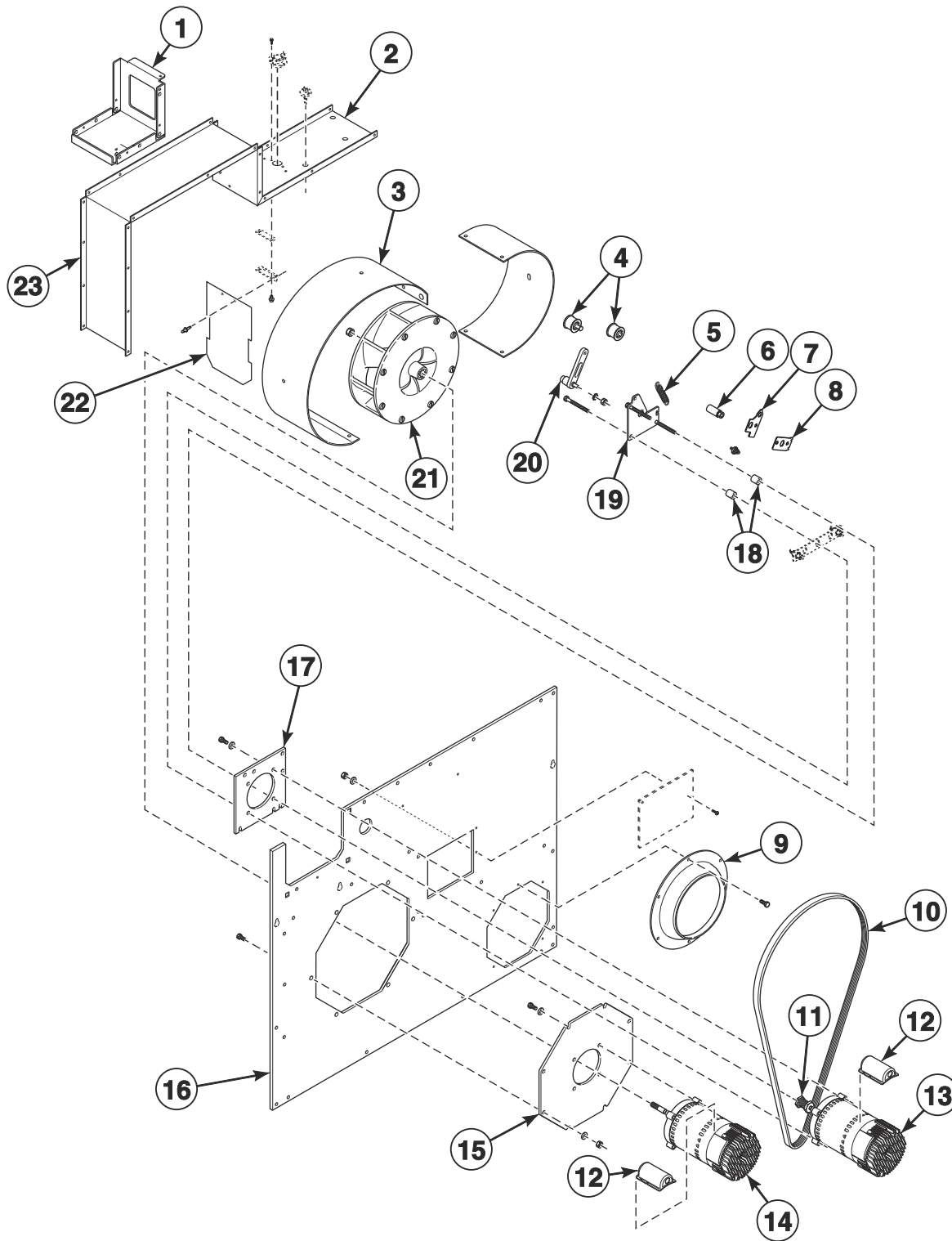


TMB3593P_70594901

Fire Suppression System Control Box

REF	PART NO.	DESCRIPTION	COMMENTS
	44340301	Cold Weather Kit	
	70155601	Key	RL001; Use with item 11
	44334404	Control Harness	
	44334405	Water Valve Harness	
	44334402	Power Sensor Harness	
	44334401	Interconnect Harness	
	44334406	Sensor Harness	
	44324501	Warning Label	F.S.S.; CSA models
	44324500	Label Kit	F.S.S.; IEC models
	F8614401	Shock Warning Label	CSA models
	F8614201	Shock Warning Label	IEC models
	44318200	Label Kit	IEC models
	44324502	Warning Label	
	44318201	Label	CSA models
1	430497	Screw	
2	M400713	Drive Rivet	
3	44307101	Control Box Top	
4	70523301	Harness Adapter Plate	
5	51780	Screw	
6	44306701	Control Box Housing	
7	70511601	Control	
8	44326801	Shield	
9	70551701	Filter Mounting Plate	
10	44065201	Control Box Cover	
11	44089301P	Lock, Key and Nut Kit	RL001 key code; Optional if same key is to be used for control lock
12	801432	Light	
13	202799	Fill Hose	2 required
14	44069101	Hose Fitting	CSA models
15	36801	Hose Clamp	
16	44073304	Hose	14 inches; Outlet hose
17	70519801	Mixing Valve	
18	801434W	Push-to-Start Switch	2 required
19	44065301	Control Box Base	
20	44306601	Mixing Valve Shield Bracket	
21	804608	Screw	
22	70601401	Mounting Bracket	
23	70180001	Plug	

Motor Components

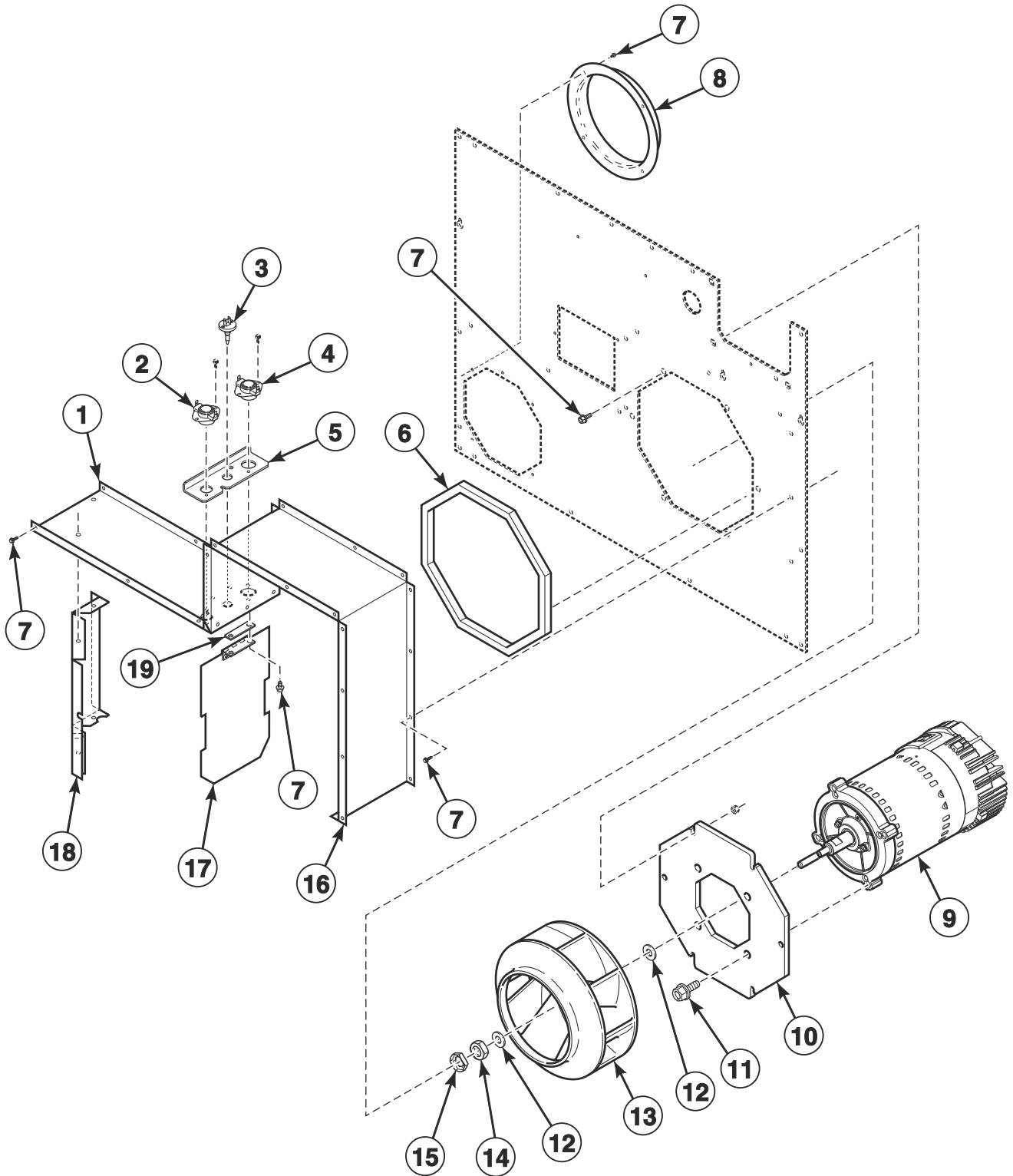


TMB3519P_70594901

Motor Components

REF	PART NO.	DESCRIPTION	COMMENTS
	44333202	Nut	Use with item 11
	70144101	Key	Use with idler shaft
	70554901	Limit Access Bracket	Use with idler shaft
	44335301	Inverter Motor Harness	Cylinder
	44335302	Inverter Motor Harness	Fan
1	70564101	Motor Mount Bracket	
2	70554701	Blower Housing	Top
3	70016301	Blower Housing Scroll	
4	70050401P	Idler Wheel Assembly	
5	70571801	Spring	
6	70569603	Standoff	
7	70569501	Tensioning Bracket	
8	70543401	Spring Catch Bracket	
9	70015601	Exhaust Thimble	
10	70276206	J-Belt	
11	70559101	Motor Pulley	
12	70521901	Motor Conduit Mounting Bracket	
13	70478601	Drive Motor	.33 HP; 120, 230 Volt/1 Phase
	70485001	Drive Motor	.33 HP; 460 Volt/3 Phase
14	70478701	Fan Motor	.50 HP; 120, 230 Volt/1 Phase
	70484901	Fan Motor	.50 HP; 460 Volt/3 Phase
15	70349601	Blower Motor Mounting Plate	
16	70500801	Lower Rear Assembly	
17	70564201	Motor Mount Plate	
18	70488403	Spacer	
19	70571901	Drive Plate	
20	70543301	Pivot Arm Lever	
21	70359801P	Blower Assembly	
22	70209501	Damper and Hinge Exhaust Assembly	
23	70215101	Blower Housing	

Blower and Exhaust Components

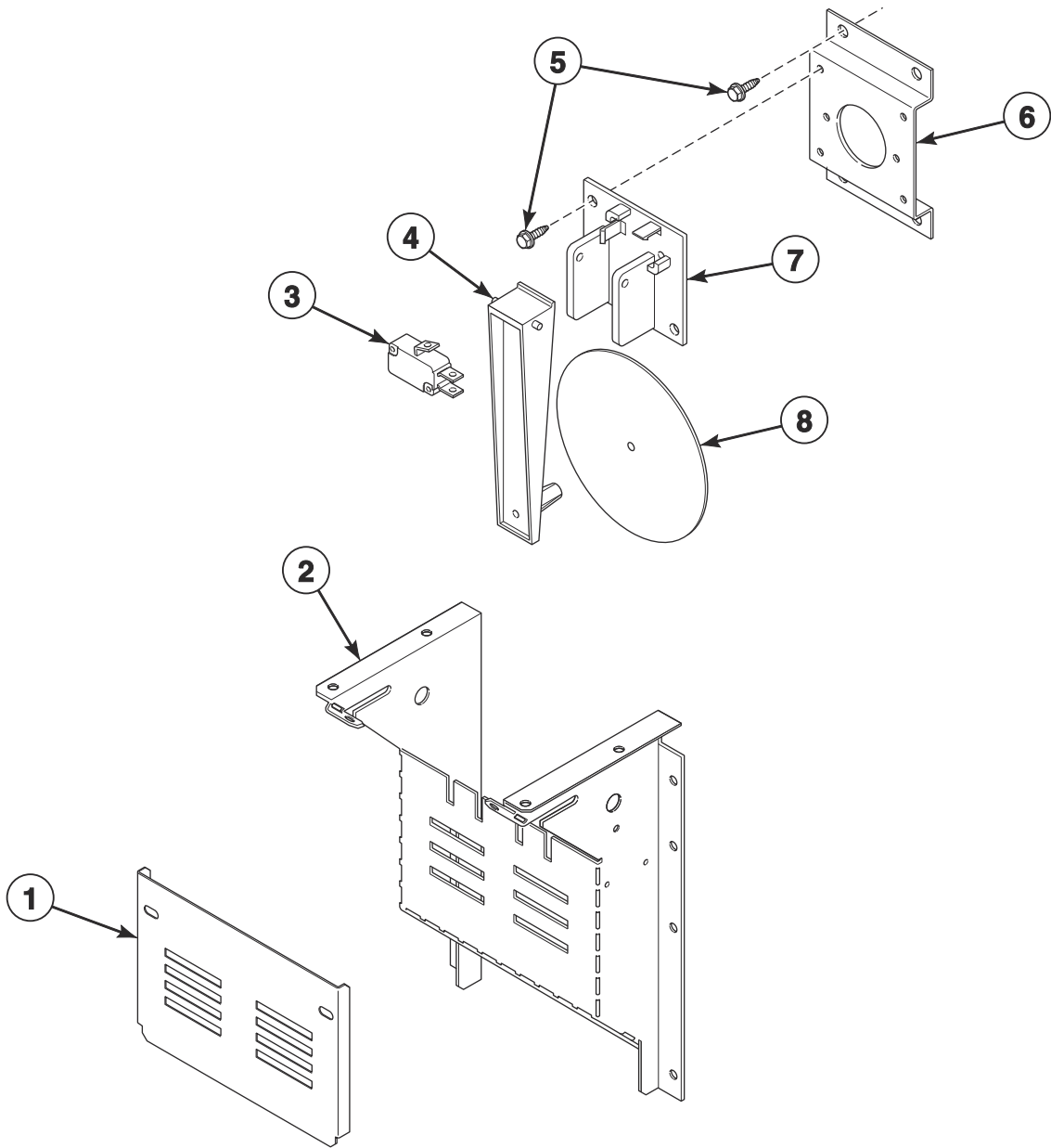


TMB3533P_70594901

Blower and Exhaust Components

REF	PART NO.	DESCRIPTION	COMMENTS
1	70554701	Blower Housing	Top
2	70530901	Limit Thermostat	Manual reset
3	M414704	Thermistor	
4	44328001	Limit Thermostat	auto reset
5	70554901	Limit Access Bracket	
6	70392701P	Gasket	For blower housing opening
7	430497	Screw	
8	70014101	Blower Inlet Cone	
9	70478701	Fan Motor	.50 HP; 120, 230 Volt/1 Phase
	70484901	Fan Motor	.50 HP; 460 Volt/3 Phase
10	70349601	Blower Motor Mounting Plate	
11	70126101	Screw	
12	M400991	Washer	
13	70359801P	Blower Assembly	
14	M400022	Nut	
15	M400034	Nut	
16	70215101	Blower Housing	
17	70209501	Damper and Hinge Exhaust Assembly	
18	70020301	Blower Housing	Left
19	70220901	Damper Spacer	

Airflow Switch

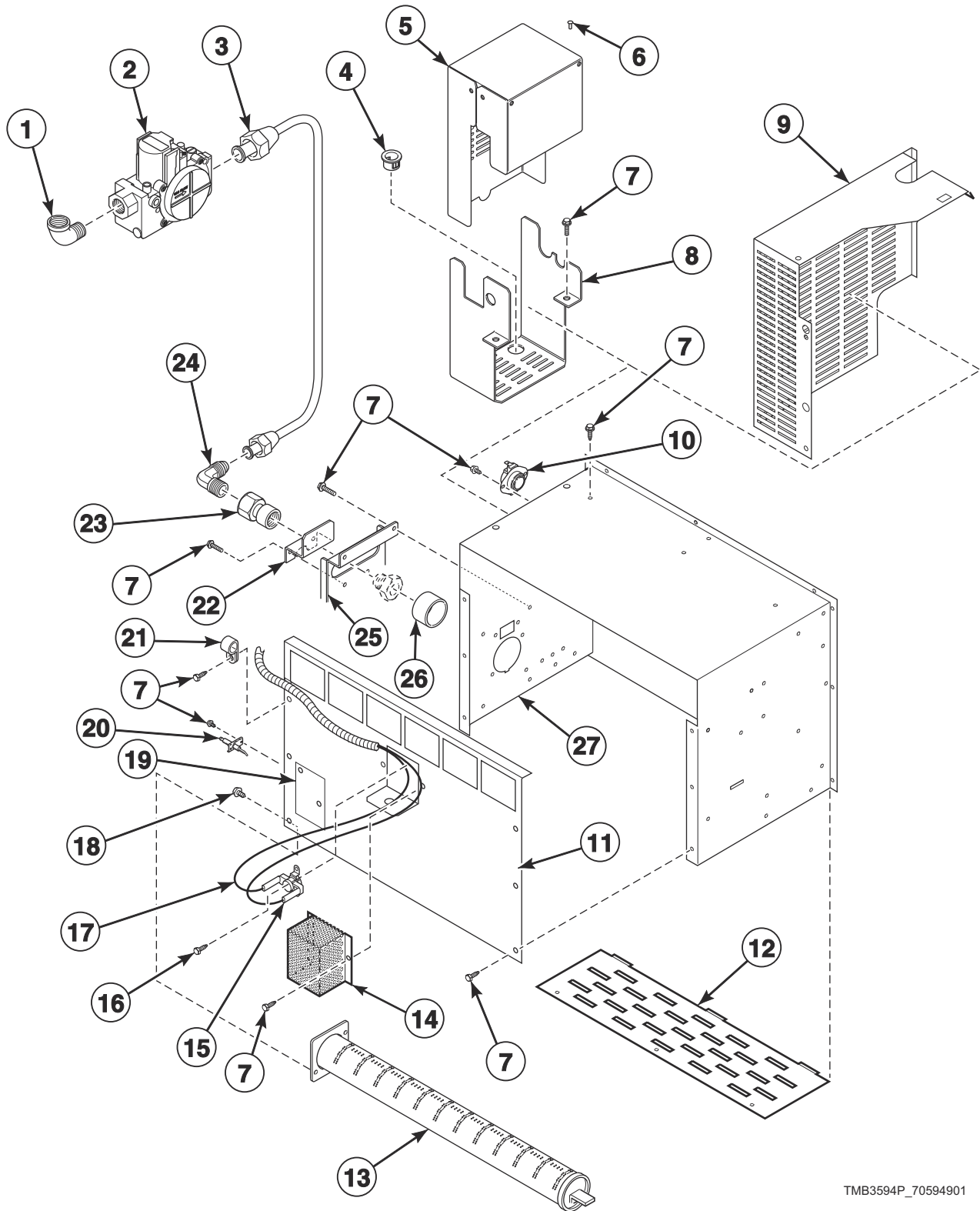


TMB3126P_70594901

Airflow Switch

REF	PART NO.	DESCRIPTION	COMMENTS
1	70356601	Airflow Switch Cover	Non-moisture sensing
	70465701	Airflow Switch Cover	Moisture sensing
2	70356101	Airflow Switch Wrapper	
3	70411901	Switch	
4	70319401	Airflow Switch Arm	
5	430497	Screw	
6	70356301	Switch Bracket	
7	70319601	Airflow Switch and Arm Bracket	
8	70319201	Airflow Switch Vane	

Gas Heater Components

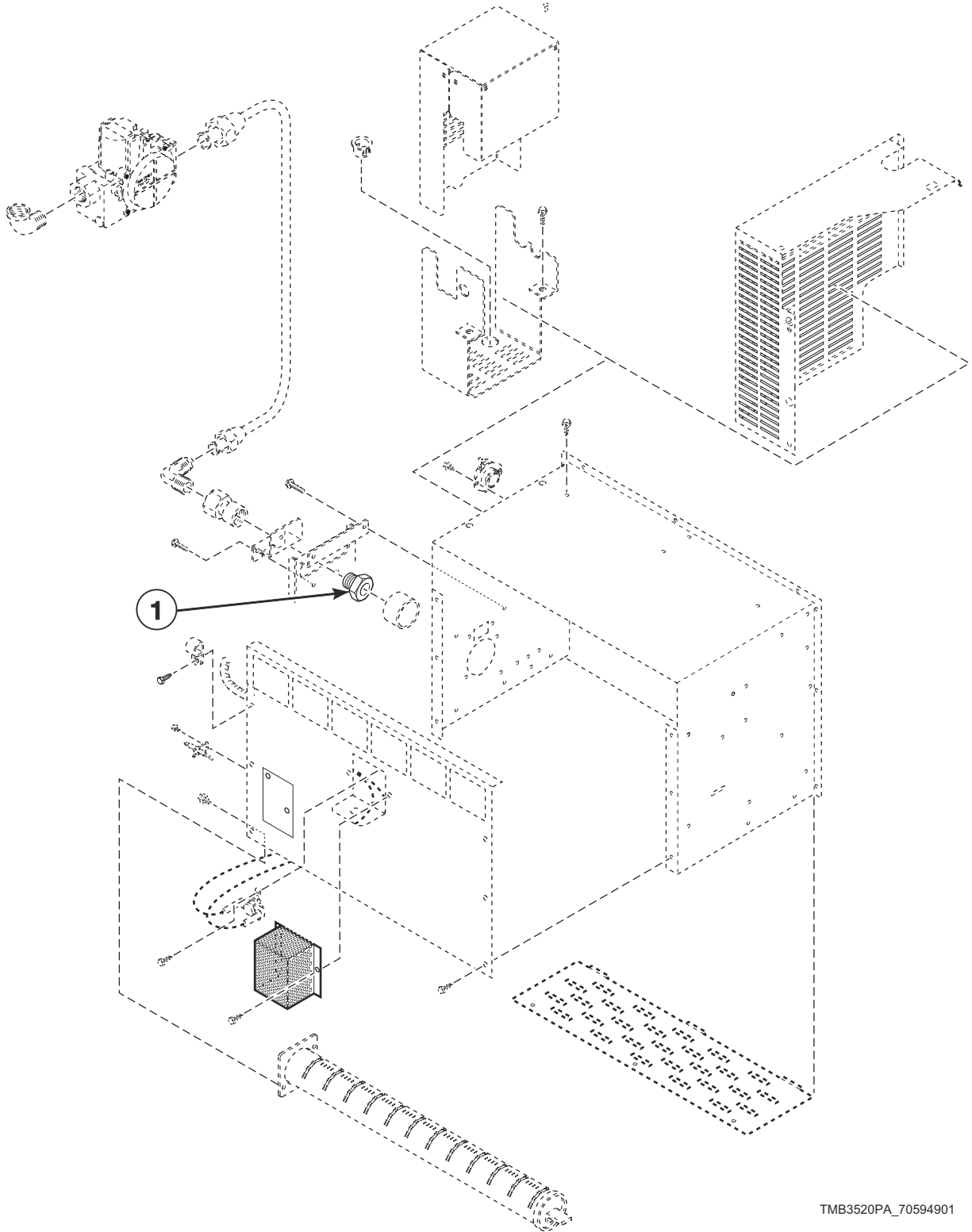


TMB3594P_70594901

Gas Heater Components

REF	PART NO.	DESCRIPTION	COMMENTS
	44273501	Gas Valve Harness	
	44239702	High Voltage Suppression Cable	
	70346801	Pipe Plug	
	70550203	L.P. Conversion Kit	CSA and AGA models; Natural Gas (N.G.); 0-2,000 feet
	70551903	L.P. Conversion Kit	IEC models; N.G.; 0-2,000 feet
	70131901	Adapter	IEC models; BPT/NPT
	70167601	Plug	IEC models
	70535901	Notice Label	Australian models; N.G.
	70544901	Notice Label	Australian models; Liquid Petroleum (L.P.) Gas
1	H86070034	Street Elbow	
2	44154503	N.G. Valve	CSA models
	44154504	L.P. Valve	CSA models
	44154507	Gas Valve	IEC models; N.G.; 1/2 NPT
	44154508	Gas Valve	IEC models; L.P.; 1/2 NPT
3	70271201	Gas Line Assembly	
4	M400770	Snap Bushing	
5	70429901	Gas Valve Cover	
6	M405750	Pop Rivet	4 required
7	430497	Screw	10 required
8	70504101	Gas Valve Bracket	
9	70429901	Gas Valve Cover	IEC models
10	44328004	Limit Thermostat	Side
11	70371501	Stove Back	
12	70188801	Burner Grill	
13	70229801P	Gas Burner	
	70546701	Anti-Rattle Burner Assembly	Includes 70229801P Gas Burner, 431318 Control Door Latch and M400003 Pop Rivet
14	M414477	Thermostat Cover	
15	44328101	Limit Thermostat	Rear
16	M405188	Screw	2 required
17	70564301	Stove Limit Harness	
18	05161	Screw	
19	70159601	Igniter Cover	
20	70548701P	Spark Electrode	
21	70203701	Pipe Clip	
22	70539901	Ignition Keeper Orifice Bracket	
23	70379301	Orifice Adapter	
24	70208701	Elbow	2 required
25	70248901	Orifice Holder Bracket	
26	70239801	Primary Air Adjustment Sleeve	L.P. models
27	70333401	Stove Top and Sides	

Burner Orifices

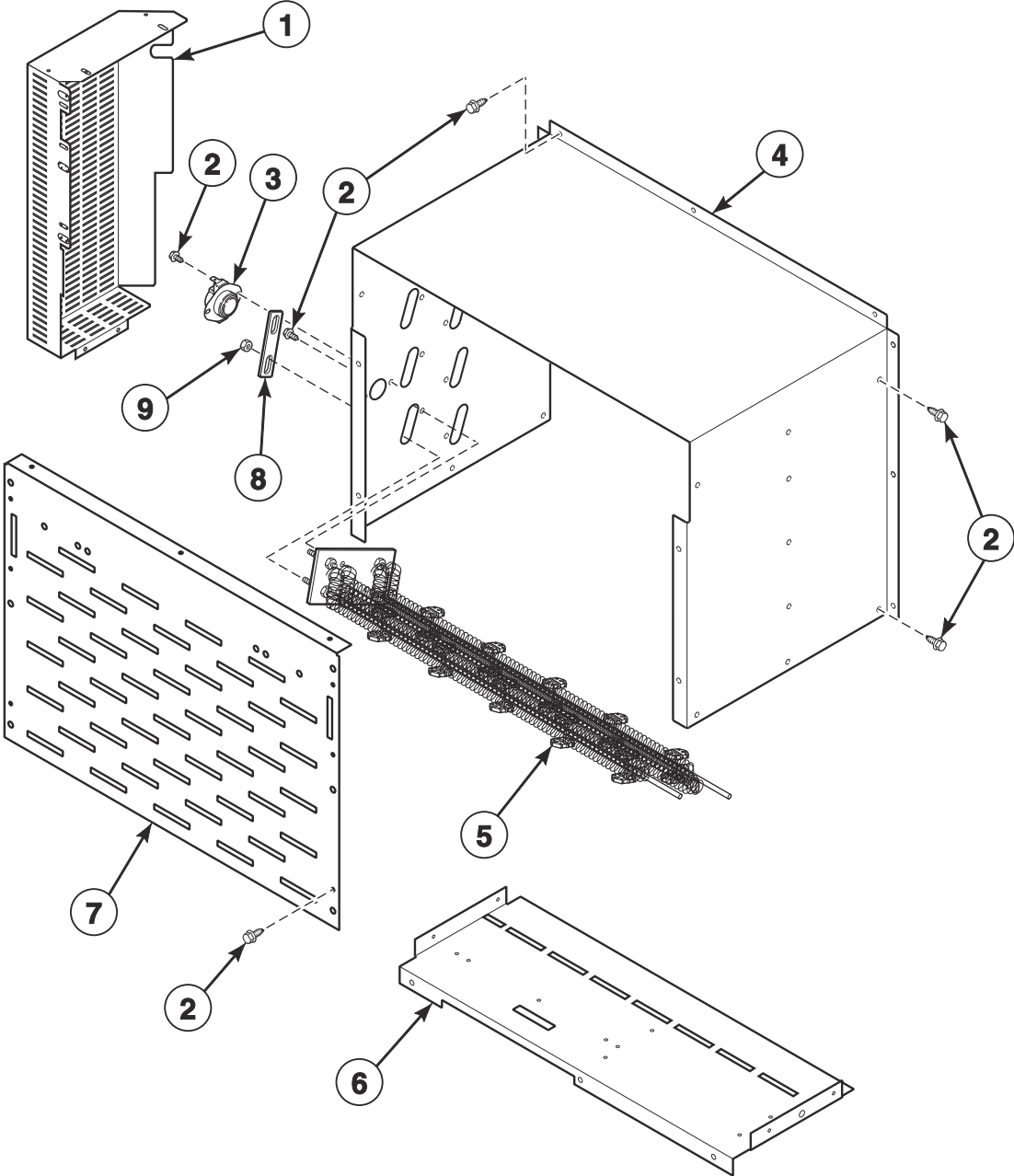


TMB3520PA_70594901

Burner Orifices

REF	PART NO.	DESCRIPTION	COMMENTS
1	M411511	Burner Orifice	Classic models; Natural Gas (N.G.); Drill no. 15 (4.57 mm); 0-2,000 feet
	44249901	Burner Orifice	Classic models; N.G.; Drill no. 11/64 (4.37 mm); 2,001-4,000 feet
	M402995	Burner Orifice	Classic models; N.G.; Drill no. 19 (4.22 mm); 4,001-6,000 feet
	M401002	Burner Orifice	Classic models; N.G.; Drill no. 20 (4.09 mm); 6,001-8,000 feet
	M401020	Burner Orifice	Classic models; N.G.; Drill no. 23 (3.91 mm); 8,001-10,000 feet
	M411512	Burner Orifice	Classic models with 2nd digit A, G, H, J, K and T; Liquid Petroleum Gas (L.P.); Drill no. 34 (2.82 mm); 0-2,000 feet
	M411375	Burner Orifice	Classic models with 2nd digit A, G, H, J, K and T; L.P.; Drill no. 36 (2.71 mm); 2,001-4,000 feet
	M411376	Burner Orifice	Classic models with 2nd digit A, G, H, J, K and T; L.P.; Drill no. 38 (2.58 mm); 4,001-6,000 feet
	M406361	Burner Orifice	Classic models with 2nd digit A, G, H, J, K and T; L.P.; Drill no. 40 (2.49 mm); 6,001-8,000 feet
	M403017	Burner Orifice	Classic models with 2nd digit A, G, H, J, K and T; L.P.; Drill no. 42 (2.37 mm); 8,001-10,000 feet
	M406361	Burner Orifice	CE classic models; L.P.; Drill no. 40 (2.49 mm); 0-2,000 feet
	M403017	Burner Orifice	CE classic models; L.P.; Drill no. 42 (2.37 mm); 2,001-4,000 feet
	70070905	Burner Orifice	CE classic models; L.P.; 2.3 mm; 4,001-6,000 feet
	70070906	Burner Orifice	CE classic models; L.P.; 2.2 mm; 6,001-8,000 feet
	M401027	Burner Orifice	CE classic models; L.P.; Drill no. 45 (2.08); 8,001-10,000 feet
	M401007	Burner Orifice	Model MJ035D; L.P.; Drill no. 39 (2.53 mm); 0-2,000 feet
	M401020	Burner Orifice	Eco models; N.G.; Drill no. 23 (3.91 mm); 0-2,000 feet
	M401000	Burner Orifice	Eco models; N.G.; Drill no. 26 (3.73 mm); 2,001-4,000 feet
	M401014	Burner Orifice	Eco models; N.G.; Drill no. 28 (3.57 mm); 4,001-6,000 feet
	70476601	Burner Orifice	Eco models; N.G.; 3.50 mm; 6,001-8,000 feet
	44253801	Burner Orifice	Eco models; N.G.; 3.30 mm; 8,001-10,000 feet

Electric Heater Components

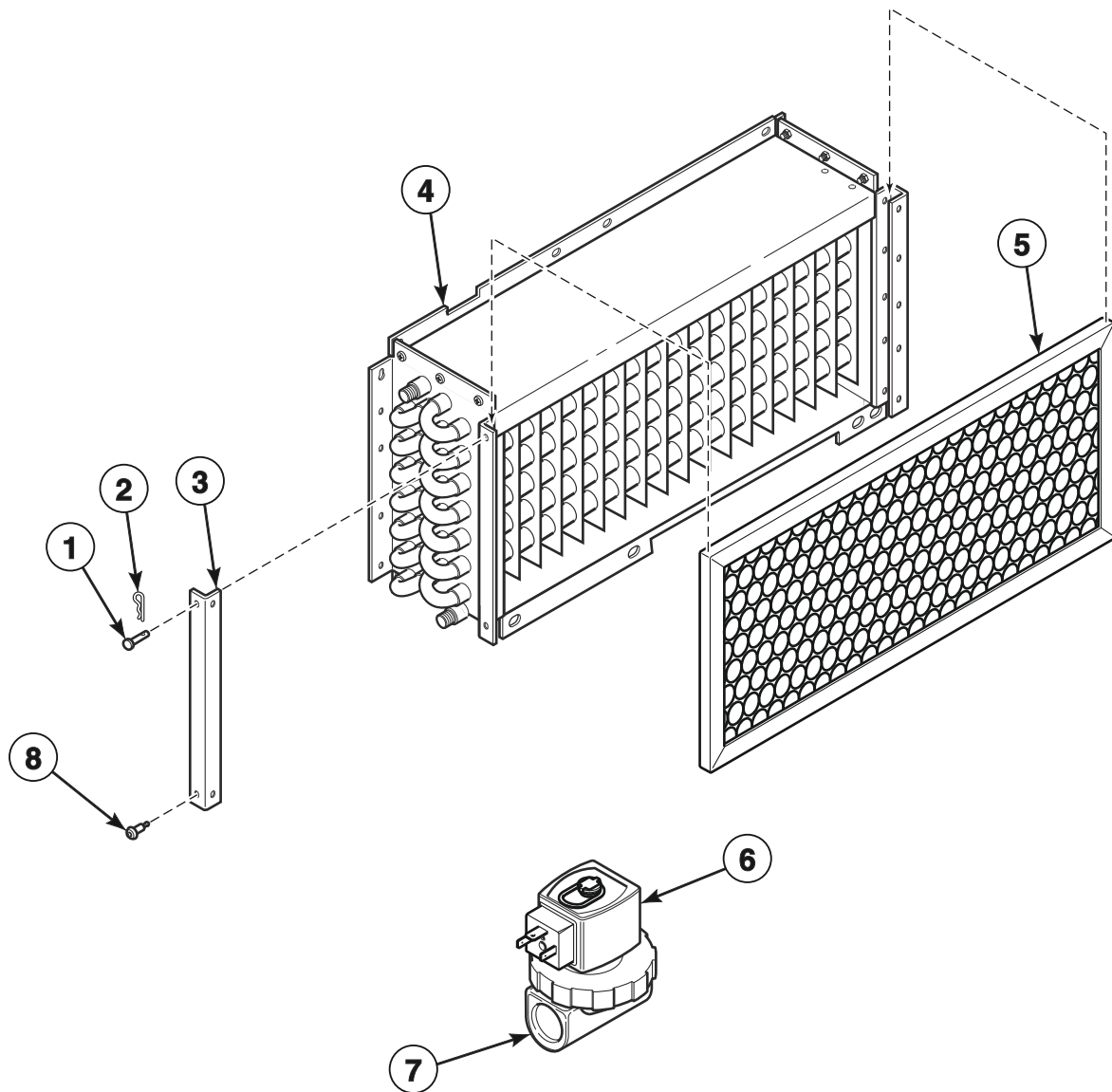


TMB3521P_70594901

Electric Heater Components

REF	PART NO.	DESCRIPTION	COMMENTS
	70564303	Stove Limit Harness	
	44281709	Jumper Harness	Use with 440-480 Volt
	44295412	Jumper Harness	Use with 380-415 Volt; 4 required
1	70365201	Stove Connectors Cover	
2	430497	Screw	
3	44328006	Limit Thermostat	
4	70525601	Stove Top and Sides	
5	70034404P	Heater Element	Classic models; 3 required; 8 kW; 208 Volt heater element for 200-208 Volt/1 or 3 Phase
	70034405P	Heater Element	Classic models; 3 required; 8 kW; 220 Volt heater element for 380 and 440 Volt/3 Phase
	70034406P	Heater Element	Classic models; 3 required; 8 kW; 240 Volt heater element for 230-240 Volt/1 or 3 Phase and 400-415 and 460-480 Volt/3 Phase
	70034414P	Heater Element	Eco models; 3 required; 4 kW; 220 Volt heater element for 380 and 440 Volt/3 Phase
	70034416P	Heater Element	Eco models; 3 required; 4 kW; 240 Volt heater element for 230-240, 400-415 or 460-480 Volt/3 Phase
	70034415P	Heater Element	Eco models; 3 required; 4 kW; 208 Volt heater element for 200-208 Volt/3 Phase
	70034412P	Heater Element	Medium electric models; 3 required; 6 kW; 240 Volt heater element for 230-240 Volt/1 or 3 Phase, 400-415 and 460-480 Volt/3 Phase
	70034410P	Heater Element	Medium electric models; 3 required; 6 kW; 208 Volt heater element for 200-208 Volt/1 or 3 Phase
	70034411	Heater Element	Medium electric models; 3 required; 6 kW; 220 Volt heater element for 380 and 440 Volt/3 Phase
6	70357201	Stove Partition	
7	70214901	Stove Grill	
8	70066501	Jumper Bar	2 required for 440-480 Volt
	M400869	Jumper Strip	3 required for 380-415 and 440-480 Volt; 6 required for 200-240 Volt
9	70054	Nut	

Steam Heater Components

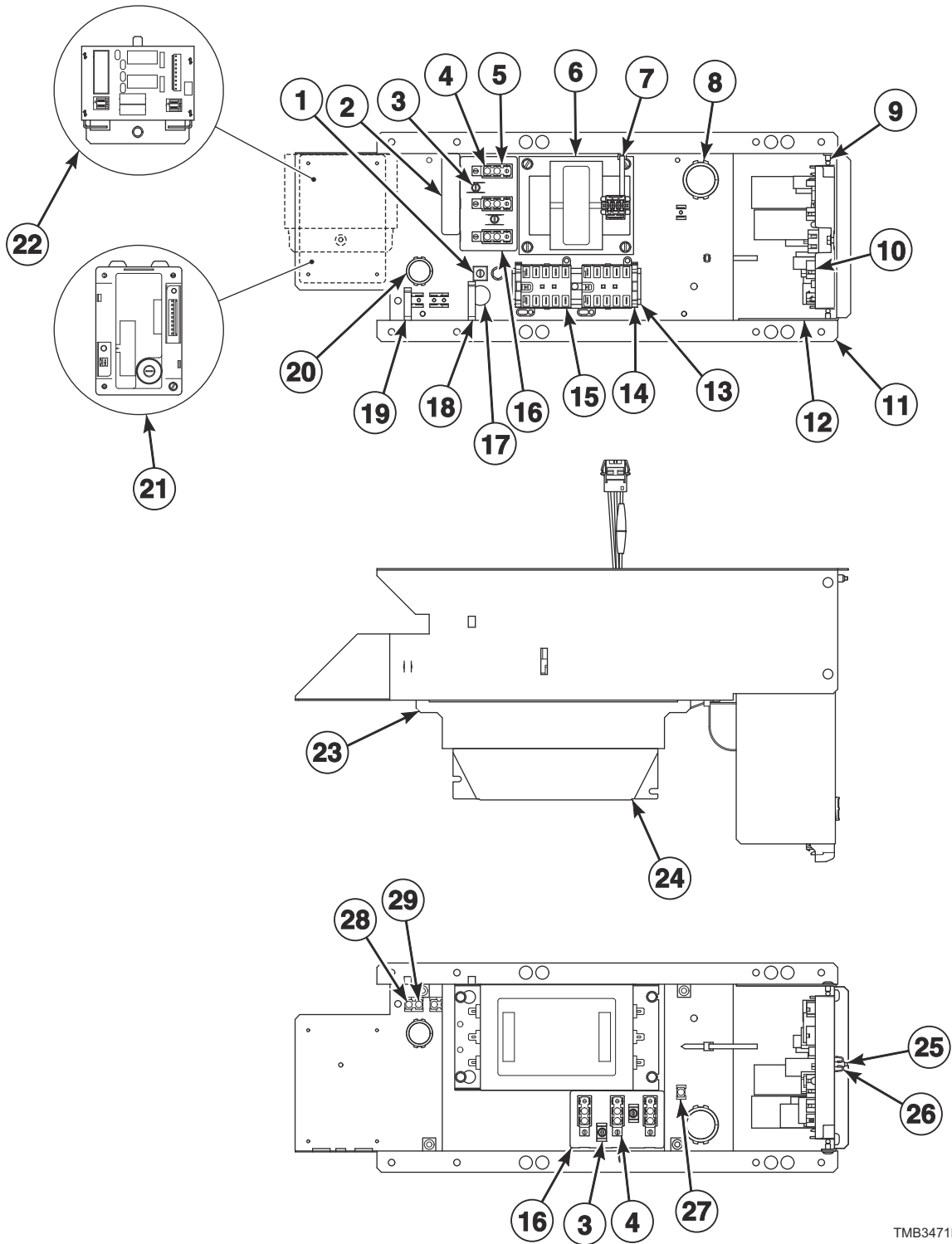


TMB3522P_70594901

Steam Heater Components

REF	PART NO.	DESCRIPTION	COMMENTS
	F8382301	DIN Valve Adapter Kit	Use with item 7
	70564302	Stove Limit Harness	
	F8520703	Steam Valve Harness	
	44304801	Strain Relief	
	70529601	Steam Adapter Kit	IEC models
1	70389201	Clevis Pin	
2	70389301	Hairpin Cotter	
3	70369301	Steam Filter Holder	
4	70369101P	Steam Coil	4 rows
5	70429401	Filter	IEC models
	70036001	Air Filter	CSA models
6	F8514701	Coil	120 Volt
	F8514601P	Coil	240 Volt
7	F8322904P	Steam Valve	120 Volt
	F8322906P	Valve	240 Volt
8	70058501	Pop Rivet	

Control Tray

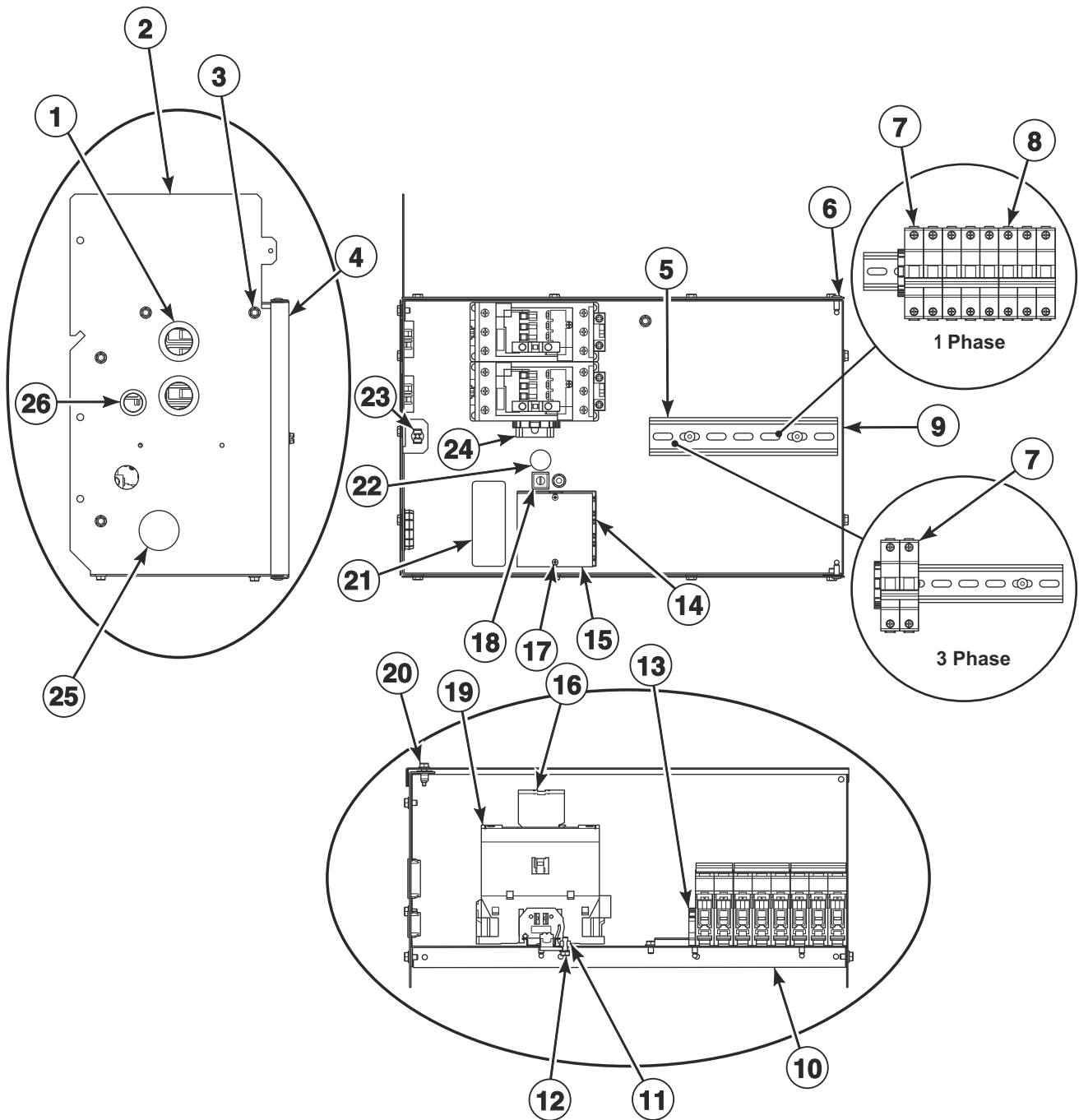


TMB3471P_70594901

Control Tray

REF	PART NO.	DESCRIPTION	COMMENTS
	685837	Screw	Use with item 1
	44088001	Nut	Use with item 1
	70559301	Conversion Kit	X to B voltage
	44272301	Transformer Harness	120 Volt; Prep for card reader
	44272302	Transformer Harness	240 Volt; Prep for card reader
1	M411283	Ground Lug Connector	
2	44286803	Label	L1, L2, L3
	44286801	Label	L1, N
	44286802	Wire Label	L1 L2, L1 N
	44286804	Wire Label	L1 L2, L1 N, L1 L2 L3
3	51783	Screw	
4	430642	Terminal Block	
5	70333001	Terminal Block Shield	
6	F8491101	Transformer	380-480 Volt
7	70335601	Cable Tie	
8	70346501	Bushing	
9	70058501	Pop Rivet	
10	70479201	I/O Control Assembly	
11	70492401	Control Tray	
12	70494901	Control Board Control Tray	
13	M412690	DIN Rail	
14	F8449801	End Stop	
15	70482601	Contactora	240 Volt or less: 1 required; 380 Volt or higher: 2 required
16	M413862	Insulator	
17	D516100	Label	
18	F8449501	Wire Clip	
19	F8449502	Wire Clip	
20	70178701	Snap Bushing	
21	70482002	Ignition Control	IEC gas models
	70482001	Ignition Control	CSA gas models
22	70501801	Steam Control Assembly	Steam models
23	70533101	Filter Bracket	
24	F8591601	EMI Filter	IEC models; 100-200 and 200-240 Volt/1 Phase
	F8637501	EMI Filter	IEC models; 380-480 Volt
25	F8206901	Screw	
26	70030501	Expansion Clip	
27	00621SG	Male Tab Terminal	
28	M400003	Pop Rivet	
29	00622SG	Terminal	

Accessory Box - Electric 200-240 Volt Models

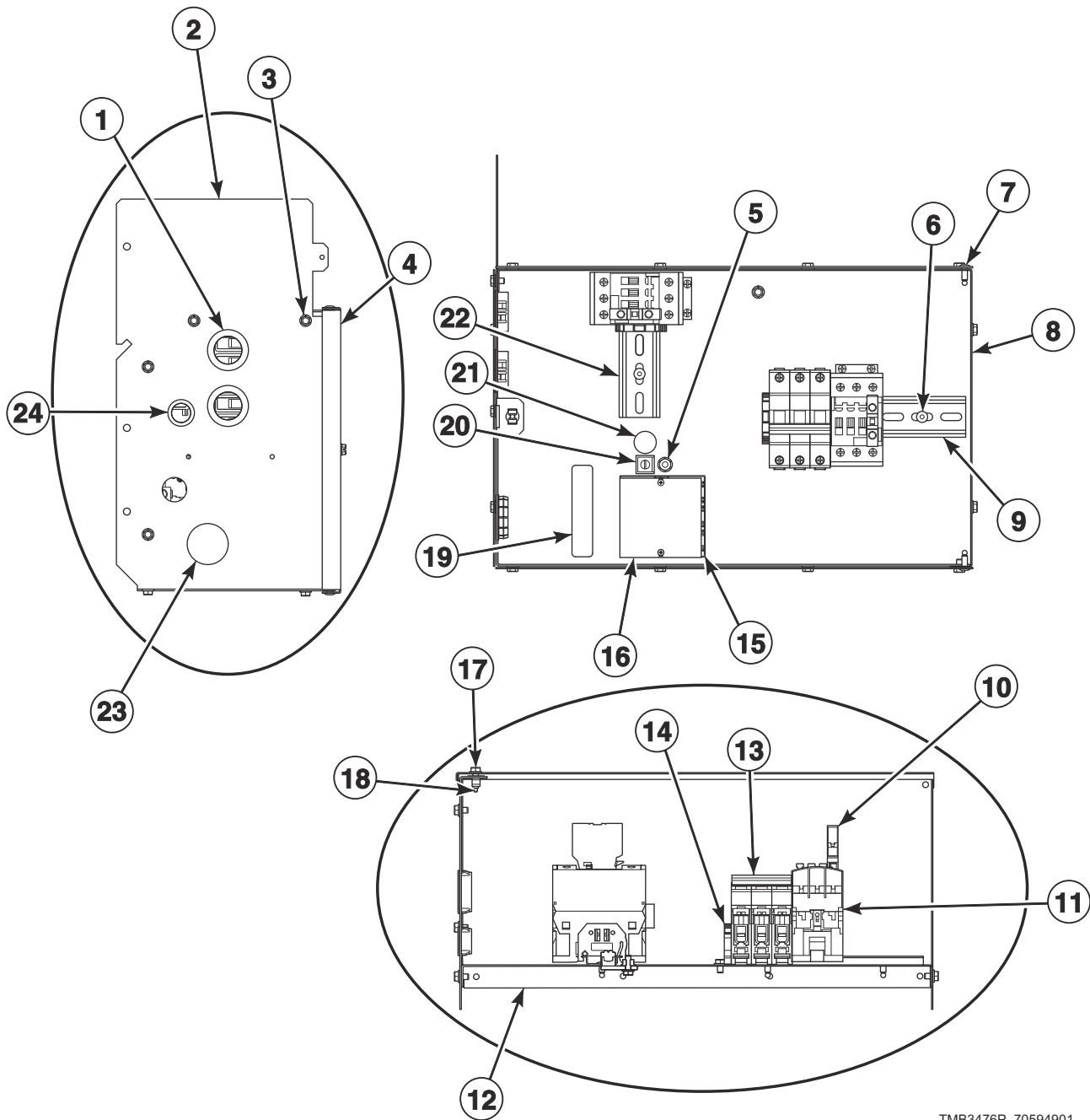


TMB3475P_70594901

Accessory Box - Electric 200-240 Volt Models

REF	PART NO.	DESCRIPTION	COMMENTS
	F8611600	Warning Label Kit	IEC models
	F8611601	Warning Label	
	44334307	Contactator Coil Harness	
	44309001	Harness	CSA models; Power distribution block to control circuit breaker
	44309011	Harness	IEC models; Power distribution block to control circuit breaker
	70516106	Harness	Contactator to element
	70516105	Harness	Contactator to element
	70516103	Harness	1 Phase; Power distribution block to circuit breaker/contactator
	70516104	Harness	Power distribution block to circuit breaker/contactator
	70516101	Harness	Power distribution block to circuit breaker/contactator
	70516102	Harness	1 Phase; Power distribution block to circuit breaker/contacto
1	M402542	Snap Bushing	2 required
2	70540601	Accessory Box Side	Left
3	51780	Screw	
4	70358401	Accessory Box Cover	
5	F8134001	DIN Rail	
6	70058502	Pop Rivet	
7	70488102	Circuit Breaker	25 amp
8	70488104	Circuit Breaker	2 required; 50 amp; 200-208 and 230-240 Volt/1 Phase
9	70540701	Accessory Box Side	Right
10	70540501	Accessory Box Back	
11	44088001	Nut	
12	685837	Screw	
13	F8449801	End Stop	2 required
14	M413865	Terminal Block	
15	44014901P	Power Distribution Block Cover	
16	44313201	Auxiliary Contact Block	2 required
17	39733	Screw	
18	M411283	Ground Lug Connector	
19	70482801	Contactator	2 required
20	F8206901	Screw	
21	44286802	Wire Label	1 Phase
	44286803	Label	3 Phase
22	D516100	Label	
23	70030501	Expansion Clip	
24	M412690	DIN Rail	
25	70180001	Plug	
26	M400770	Snap Bushing	

Accessory Box - Electric 380-480 Volt Models



TMB3476P_70594901

Accessory Box - Electric 380-480 Volt Models

REF	PART NO.	DESCRIPTION	COMMENTS
	F8611600	Warning Label Kit	IEC models
	F8611601	Warning Label	
	44334307	Contactator Coil Harness	
	44334302	Control Harness	3 Phase
	44309002	Harness	CSA models; Power distribution block to control circuit breaker
	44309012	Harness	IEC models; Power distribution block to control circuit breaker
	70516106	Harness	Contactator to element
	70516103	Harness	2 required; Power distribution block to circuit breaker/contactator
1	M402542	Snap Bushing	2 required
2	70540601	Accessory Box Side	Left
3	51780	Screw	
4	70358401	Accessory Box Cover	
5	685837	Screw	
	44088001	Nut	
6	70058501	Pop Rivet	
7	70058502	Pop Rivet	
8	70540701	Accessory Box Side	Right
9	F8134001	DIN Rail	
10	44313201	Auxiliary Contact Block	2 required
11	70482701	Contactator	2 required
12	70540501	Accessory Box Back	
13	70488101	Circuit Breaker	25 amp
14	F8449801	End Stop	2 required
15	M413865	Terminal Block	
16	44014901P	Power Distribution Block Cover	
17	F8206901	Screw	
18	70030501	Expansion Clip	
19	44286803	Label	
20	M411283	Ground Lug Connector	
21	D516100	Label	
22	M412690	DIN Rail	
23	70180001	Plug	
24	M400770	Snap Bushing	

Harnesses

PART NO.	DESCRIPTION	COMMENTS
44316007	Harness	IEC models; 1 Phase; Auxiliary power distribution block to filter harness
44316008	Harness	IEC models; 3 Phase; Auxiliary power distribution block to filter harness
44280007	Configuration Harness	100-120 Volt; Cylinder
44280006	Configuration Harness	100-120 Volt; Fan
44334502	Control Tray Harness Assembly	Electric models
44334501	Control Tray Harness Assembly	Gas models
44334507	Control Tray Harness Assembly	Steam models
44334702	Inverter Contactor Coil Harness	Secondary; 380-480 Volt
44316001	Harness	IEC models; 1 Phase; Main power distribution block to EMI filter harness
44316002	Harness	IEC models; 3 Phase; Main power distribution block to EMI filter harness
44280005	Configuration Harness	3 Phase
44280010	Motor Contactor Power Harness	IEC models; 1 Phase
44280012	Motor Contactor Power Harness	IEC models; 3 Phase
44280001	Motor Contactor Power Harness	CSA models; 1 Phase
44280003	Motor Contactor Power Harness	CSA models; 3 Phase
44280101	Power Harness	Control and emergency stop connection; 380-480 Volt
44272101	Power Harness	Control and emergency stop connection; 100-120 and 200-240 Volt

Labels

PART NO.	DESCRIPTION	COMMENTS
44324201	Caution Label	Australian models; Repeat Ignition Reset
70535101	Caution Label	Vent/install
F8614501	Danger Label	Shock; English/French
F8614301	Hot Surface Warning Label	English/French
F8609001	Hot Surface Warning Label	Icon
F8605501	Label	
70535100	Label Kit	Vent/install
F8614500	Label Kit	Shock
70539601	Notice Label	
F8609501	Notice Label	
D516073	Notice Label	Read instructions; Icon
70538401	Pinch Warning Label	English/French
F8615701	Pinch Warning Label	Icon
F8614201	Shock Warning Label	Icon
70536301	Warning Label	Lint; Australian models
44324101	Warning Label	Fire; Australian models
70534305	Warning Label	Fire; Colombian Spanish; Australian models
44321601	Warning Label	Risk of fire; Icon

Parts Index

A

Access Panel Trim	
70399401	37
70399412	37
Accessory Box Back	
70540501	71, 73
Accessory Box Cover	
70358401	71, 73
Accessory Box Side	
70540601	71, 73
70540701	71, 73
Adapter	
70131901	61
Air Filter	
70036001	67
Airflow Switch and Arm Bracket	
70319601	59
Airflow Switch Arm	
70319401	59
Airflow Switch Cover	
70356601	59
70465701	59
Airflow Switch Vane	
70319201	59
Airflow Switch Wrapper	
70356101	59
Anti-Rattle Burner Assembly	
70546701	61
Auxiliary Contact Block	
44313201	71, 73

B

Blind Rivet	
F8245101	41
Blower Assembly	
70359801P	55, 57
Blower Housing	
70020301	57
70215101	55, 57
70554701	55, 57
Blower Housing Scroll	
70016301	55
Blower Inlet Cone	
70014101	57
Blower Motor Mounting Plate	
70349601	55, 57
Burner Grill	
70188801	61
Burner Orifice	
M401000	63
M401002	63
M401007	63
M401014	63
M401020	63
M401027	63
M402995	63
M403017	63

M406361	63
M411375	63
M411376	63
M411511	63
M411512	63
44249901	63
44253801	63
70070905	63
70070906	63
70476601	63
Bushing	
70346501	49, 69
Bypass Harness	
44334103	37

C

Cable Tie	
70335601	69
Cam and Hinge Kit	
M4772P3	29
M4773P3	29
Caution Label	
44324201	75
70535101	75
Center Cylinder Seal Assembly	
70066003	47
Center Pan	
70564501	49
Center Partition	
70252601	49
Central Pay Harness	
44342801	15
Circuit Breaker	
70488101	73
70488102	71
70488105	71
Clevis Pin	
70389201	67
Coil	
F8514601P	67
F8514701	67
Coin Box	
F160673P	37
Coin Chute Assembly	
70296401	37
Coin Drop	
38963P	21
39748	21
70441601	21
70441603	21
Coin Drop Assembly	
201141	21
210195	21
210196	21
38462P	21
38463	21
38467	21
38519	21
70281102	21
70283102	21

N/A items do not appear in index.

70441602	21
70447301	21
70471601	21
70482401	21
70506901	21
Coin Drop Kit	
CK077	21
CK122	23
Coin Identification Paper	
38464P	21
38475	21
38725	21
Coin Meter	
F0160737-00	21
Coin Vault and Emergency Stop Mount Assembly	
70529502	37
Coin Vault Assembly	
70529501	37
Coin Vault Switch Harness	
44334101	37
Cold Weather Kit	
44340301	53
Configuration Harness	
44280005	74
44280006	74
44280007	74
Contact Base	
F8538101	39
Contact Switch	
F8069501	39
Contactactor	
70482601	69
70482701	73
70482801	71
Contactactor Coil Harness	
44334307	71, 73
Control	
70511601	53
Control Assembly	
70478801	15, 17
70478802	19
70479801	13
Control Board Control Tray	
70494901	69
Control Box Base	
44065301	53
Control Box Cover	
44065201	53
Control Box Housing	
44306701	53
Control Box Top	
44307101	53
Control Harness	
44334302	73
44334404	53
Control Panel	
70121305*	33
70121309	33
70273405*	33
70273414	33
Control Plate	
70497101	13, 19
Control Plate and Studs Assembly	
70496601	15, 17

Control Plate Assembly	
70497201	15, 17
Control Tray	
70492401	69
Control Tray Harness Assembly	
44334501	74
44334502	74
44334507	74
Control Trim	
44016401	37
Conversion Kit	
70559301	69
Cylinder and Trunnion Assembly	
70435201	43
70435202	43
70435203	43
Cylinder Assembly	
70372601P	43
70372602P	43
70372603P	43
Cylinder Bearing Stud Plate Assembly	
430352	47
Cylinder Guide Tool	
263P4	47
Cylinder Rib Assembly	
70433001	43
Cylinder Shroud	
70347001	49
70347002	49
70432305	49
70432306	49

D

Damper and Hinge Exhaust Assembly	
70209501	55, 57
Damper Spacer	
70220901	57
Danger Label	
F8614501	75
DIN Rail	
F8134001	71, 73
M412690	69, 71, 73
DIN Valve Adapter Kit	
F8382301	67
Door Assembly	
70212300	25
70212301	25
70212302	25
70408901	25
Door Glass	
M400784P	27
Door Glass Installation Tool	
M4221P4	27
Door Glass Seal Kit	
70211901P	27
Door Handle	
44007902P	27
Door Hinge	
70115901*	29
70115903B	29
70115904	29

N/A items do not appear in index.

Door Hinge Lug Assembly	
44035001	29
44035002	29
Door Latch	
M401223	37
Door Ring	
70543903B	27
Door Ring Assembly	
70543901	27
70543904B	27
70543905	27
Door Ring Gasket	
70296801	27
Door Switch Actuator	
70532101	29
70532102	29
Drive Motor	
70478601	55
70485001	55
Drive Plate	
70571901	55
Drive Rivet	
M400713	53
Drywall Screw Magnet Kit	
70343101P	43, 47

E

Elbow	
70208701	61
70428101	51
Electronic Coin Drop Assembly	
70294107	21
70513302	21
70513303	21
70513304	21
70513306	21
70513308	21
70513309	21
70513310	21
70513311	21
70513312	21
70513313	21
70513314	21
70513315	21
70513316	21
Electronic Coin Drop Kit	
CK099	23
CK100	23
CK101	23
CK108	23
CK109	23
CK110	23
CK113	23
CK115	23
CK116	23
CK117	23
CK118	23
CK119	23
CK120	23
CK121	23
Emergency Stop Button Kit	
70580301	39
Emergency Stop Bypass Harness	
F8519403	39

Emergency Stop Harness	
44272401	39
Emergency Stop Label	
44012901	39
44012903	39
Emergency Stop Mounting Bracket	
70550401	39
Emergency Stop Pushbutton	
F200233500	39
EMI Filter	
F8591601	69
F8637501	69
End Cap	
70070101	43
70070102	43
End Stop	
F8449801	69, 71, 73
Exhaust Thimble	
70015601	55
Expansion Clip	
70030501	15, 17, 37, 69, 71, 73

F

False Front	
70021101*	31
70021104	31
70024004	31
False Front Assembly	
70024001*P	31
Fan Motor	
70478701	55, 57
70484901	55, 57
Fill Hose	
202799	53
Filter	
70429401	67
Filter Bracket	
70533101	69
Filter Mounting Plate	
70551701	53
Front Panel	
70524201*	35
70524202	35
70524203*	35
70524204	35
70524220*	35
70524221*	35
Front Panel Seal	
70173401P	35

G

Gas Burner	
70229801P	61
Gas Line Assembly	
70271201	61
Gas Valve	
44154507	61
44154508	61
Gas Valve Bracket	
70504101	61

N/A items do not appear in index.

Gas Valve Cover 70429901	61
Gas Valve Harness 44273501	61
Gasket 70392701P	57
Ground Lug Connector M411283	69, 71, 73

H

Hairpin Cotter 70389301	67
Handle and Caps Assembly 70154403	41
Handle Bar 70399502B	27
Handle Bumper 70407201	41
Harness	
44309001	71
44309002	73
44309011	71
44309012	73
44316001	74
44316002	74
44316007	74
44316008	74
70516101	71
70516102	71
70516103	71, 73
70516104	71
70516105	71
70516106	71, 73
Harness Adapter Plate 70523301	51, 53
Harness Mounting Plate 70307007	15, 17, 19
Heater Element	
70034404P	65
70034405P	65
70034406P	65
70034410P	65
70034411	65
70034412P	65
70034414P	65
70034415P	65
70034416P	65
High Voltage Suppression Cable 44239702	61
Hold-Down Clip 35865	49
Hole Plug 70063201	49
Hose 44073304	53
Hose Clamp 36801	53
Hose Fitting 44069101	53
Hot Surface Warning Label	
F8609001	75
F8614301	75

I

Idler Wheel Assembly 70050401P	55
Igniter Cover 70159601	61
Ignition Control	
70482001	69
70482002	69
Ignition Keeper Orifice Bracket 70539901	61
Insulator M413862	69
Interconnect Harness 44334401	53
Inverter Contactor Coil Harness 44334702	74
Inverter Motor Harness 44335301	55
I/O Control Assembly 70479201	69

J

J-Belt 70276206	55
Jumper Bar 70066501	65
Jumper Harness	
D511476	37
442295412	65
44281709	65
Jumper Strip M400869	65

K

Key	
70144101	55
70155601	37, 53
70155602	37
Kickplate 70117603	41

L

Label	
D516100	69, 71, 73
F8605501	75
44108201	35
44286801	69
44286803	69, 71, 73
44318201	53
70414001	27
70537101	35
Label Kit	
F8614500	75
44318200	53
44324500	53
70534300	35

N/A items do not appear in index.

70535100	75
Light	
801432	53
Limit Access Bracket	
70554901	55, 57
Limit Thermostat	
44328001	57
44328004	61
44328006	65
44328101	61
70530901	57
Lint Panel	
70515501*	41
70515502	41
Lint Panel Gasket	
70289101P	41
Lint Panel Pivot Plate	
70016701	41
Lint Screen	
70325601	49
Lock Shim	
70342401	37
Lock, Key and Nut Kit	
44089301P	37, 53
44089302P	37
Lower Rear Assembly	
70500801	55
L.P. Conversion Kit	
70550203	61
70551903	61
L.P. Valve	
44154504	61

M

Machine ID Control Assembly	
203361P	15, 17, 19
Magnet	
70343101	41
Magnet Bracket	
44290501	41
Male Tab Terminal	
00621SG	69
Mixing Valve	
70519801	53
Mixing Valve Shield Bracket	
44306601	53
Moisture Sensor Harness	
44333903	45
Motor Conduit Mounting Bracket	
70521901	55
Motor Contactor Power Harness	
44280001	74
44280003	74
44280010	74
44280012	74
Motor Mount Bracket	
70564101	55
Motor Mount Plate	
70564201	55
Motor Pulley	
70559101	55

Mounting Bracket	
70601401	53
Mounting Plate	
70208801	15, 17

N

Nameplate Overlay	
44130201	37
44144401	37
70410201	37
70411401	37
Notice Label	
D516073	75
F8609501	75
70535901	61
70539601	75
70544901	61
Nozzle Bracket	
70424201	51
70428601	51
Nut	
M400022	45, 47, 57
M400034	47, 57
M404993	49
M412986	47
M414215	27
21899	49
23951	41
430576	49
44087201	43
44088001	27, 29, 69, 71, 73
44088801	37
44333202	55
51236	41
70054	65
N.G. Valve	
44154503	61

O

Opto Coupler	
200674P	21
Orifice Adapter	
70379301	61
Orifice Holder Bracket	
70248901	61
Overlay	
F8205101	15
70516801	13
70516802	13
70544701	15
70544702	15
70544703	15
70547401	15
70547402	15
70547501	13
70547502	13
70547801	19
70547802	19
70548101	15
70557001	15
70557002	15
70572401	19

N/A items do not appear in index.

70572402	19
70572601	17

P

Panel Locator	
56079	37, 41
Panel Lock	
44089304	37
44089305	37
Pin	
70071401	29
Pinch Warning Label	
F8615701	75
70538401	75
Pipe Clip	
70203701	61
Pipe Plug	
70346801	61
Pivot Arm Lever	
70543301	55
Plug	
70167601	61
70180001	53, 71, 73
Pop Rivet	
M400003	69
M405750	61
44166601	37
70058501	29, 41, 49, 67, 69, 73
70058502	71, 73
70126301	41
70126401	41
70412601	27
Porcelain Touch-Up Paint	
122P4P	49
370P4P	49
Power Distribution Block Cover	
44014901P	71, 73
Power Harness	
44272101	74
44280101	74
Power Sensor Harness	
44334402	53
Primary Air Adjustment Sleeve	
70239801	61
Pushbutton Switch	
70413301	13, 15, 17, 19, 37
Push-to-Start Switch	
801434W	53

R

Rear Bearing Shim	
70355001	47
Rear Cylinder Bearing Housing	
70013901	47
Rear Cylinder Channel	
70257101	43
70257102	43
Rear Cylinder Channel Plate	
70257201	43

Rear Cylinder Seal	
70013701	47
Rear Cylinder Seal Support	
70506402	47
Rear Lint Panel	
70564401	41
Rear Panel	
70564701	47
70564702	47
70564703	47
70564704	47
Reed Switch Assembly	
F8066804	41
Roller and Seal Kit	
70568201	49
Roller Catch Arm	
70030301	41
Roller Catch Spacer	
70030201	41
Roller Catch Wheel	
70297601	41
Roller Seal	
70443601	49
Roller Shaft	
70249501	49
Roller Support Bracket	
70328301	49

S

Screw	
F8206901	69, 71, 73
M400044	29
M400661	27
M405188	31, 61
M411072	15, 17, 37
05161	61
39733	37, 41, 71
430497	41, 43, 49, 51, 53, 57, 59, 61, 65
430757	41
51780	51, 53, 71, 73
51783	69
62588	43
685837	69, 71, 73
70033502	29
70072801	41
70126101	57
70132301	41
70247701	49
70391101	43
70407301	29
70436301	29
70442101	27
70576101	29
804608	13, 15, 17, 19, 53
Sensor Harness	
44334406	53
Sheet Metal Edge Gasket	
70015710	49
70015711	49
Shield	
44326801	53
Shock Warning Label	
F8614201	53, 75
F8614401	53

N/A items do not appear in index.

Side Panel	
70021502*P	49
70253801*P	49
Slip Ring Assembly	
44222701	45
Slip Ring Holder	
70455401	45
Slot Card Plate Assembly	
44089501	15, 17
Snap Bushing	
M400770	61, 71, 73
M402542	71, 73
70178701	51, 69
Spacer	
70488403	55
Spark Electrode	
70548701P	61
Spray Nozzle	
70427801	51
Spray Nozzle Hose	
70427701	51
Spray Paint	
298P4P	49
381P4	49
Spring	
70571801	55
Spring Catch Bracket	
70543401	55
Standoff	
70569603	55
Steam Adapter Kit	
70529601	67
Steam Coil	
70369101P	67
Steam Control Assembly	
70501801	69
Steam Filter Holder	
70369301	67
Steam Valve	
F8322904P	67
Steam Valve Harness	
F8520703	67
Stove Back	
70371501	61
Stove Connectors Cover	
70365201	65
Stove Grill	
70214901	65
Stove Limit Harness	
70564301	61
70564302	67
70564303	65
Stove Partition	
70357201	65
Stove Top and Sides	
70333401	61
7052601	65
Strain Relief	
44304801	67
Street Elbow	
H86070034	61
Support Bearing	
70448701	47

Support Housing Bearing Assembly	
430260P	47
Switch	
70411901	59
Switch Bracket	
70356301	59
70508501	41
Switch Hole Plug	
44057801B	37
44057801Q	37
44057801W	37

T

Tensioning Bracket	
70569501	55
Terminal	
00622SG	69
Terminal Block	
M413865	71, 73
430642	69
Terminal Block Shield	
70333001	69
Thermistor	
M414704	57
44064701	51
Thermistor Plate	
70424401	51
Thermostat Cover	
M414477	61
Top Pan	
70555201	49
Top Panel	
70557501	49
Transformer	
F8491101	69
Transformer Harness	
44272301	69
44272302	69
Trunnion and Seal Kit	
70564803	43
70564804	43
Tube Assembly	
70427601	51
Tumbler Dolly Kit	
M4379P4	49

U

Union Tee	
70427901	51

V

Valve	
F8322906P	67
Vend Activation Harness	
44334001	13, 15, 17, 19

N/A items do not appear in index.

W

Warning Label	
F8611601	71, 73
44321601	75
44324101	75
44324501	53
44324502	53
70534301	35
70534302	35
70534305	75
70536301	75
Warning Label Kit	
F8611600	71, 73
Washer	
M400991	47, 57
70261401	49
70409301	27
70411301	43
Water Valve Harness	
44334405	53
Wire Clip	
F8449501	69
F8449502	69
Wire Guard	
201595P	21
Wire Label	
44286802	69, 71
44286804	69
Wireless Network Board Harness	
F8536002	17
Wireless Network Control Assembly	
203532	17
Wireless Network Kit	
70596301	17
