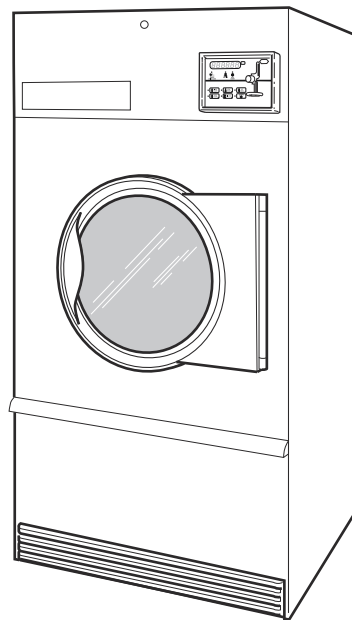


Tumble Dryers

50 Pound Capacity

Models with 0 or 3 in 13th Position of Model Number

Refer to Page 5 for Model Numbers



TMB1284C_70591801

Table of Contents

Title	Page
Parts Ordering Information.....	3
Serial Plate Location	3
Model Identification	5
Product Overview - Heat Source and Voltage	6
Product Overview - FN Control Suffix	8
Product Overview - DN and NN Control Suffixes.....	10
Product Overview - B, N and W Control Suffixes.....	12
Control Box	14
Fire Suppression System Control Box	16
Dual Digital Control	18
Electronic Display Control - Vend Models with B in the 7th Position	20
Electronic Display Control - Vend Models with N or W in the 7th Position.....	22
Electronic Display Control Overlays- Vend Models with N or W in the 7th Position	24
Electronic Display Control - OPL Models with N in the 7th Position	26
3.5 Inch Graphical Control	28
Coin Drops	30
Coin Drop Kits.....	32
Emergency Stop Button	34
Cabinet Front Components.....	36
Cabinet Panels and Nameplates	38
Front Panel Assemblies	40
Lower Cabinet Front Components	42
Lint Panel Components.....	44
Cabinet Components	46
Rear Panel and Belt Guard Components	48
Door Components.....	50
Hinge Components	52
Cylinder and Trunnion Components	54
Bearing Components	56
Moisture Sensing Components.....	58
Drive Motor Components	60
Blower and Exhaust Components.....	62
Airflow Switch Assembly	64
Gas Heater Components	66
Burner Orifices	68
Electric Heater Components	70
Steam Heater and Valve	72
Control Tray	74
Accessory Box - Electric 200-240 Volt Models	76
Accessory Box - Electric 380-480 Volt Models	78
Harnesses.....	80

© Copyright 2018, Alliance Laundry Systems LLC

All rights reserved. No part of the contents of this book may be reproduced or transmitted in any form or by any means without the expressed written consent of the publisher.

Labels 81
Parts Index 83

Parts Ordering Information

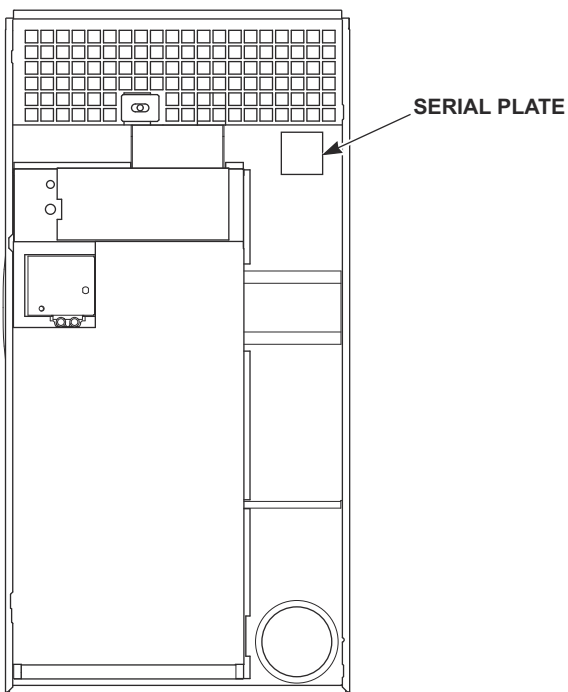
If literature or replacement parts are required, contact the source from whom the machine was purchased or contact Alliance Laundry Systems at (920) 748-3950 for the name and address of the nearest authorized parts distributor.

For technical assistance, call the number listed below:

(920) 748-3121 Ripon, Wisconsin

Serial Plate Location

When calling or writing about your product, be sure to mention model and serial numbers. Model and serial numbers are located on serial plate(s) as shown.



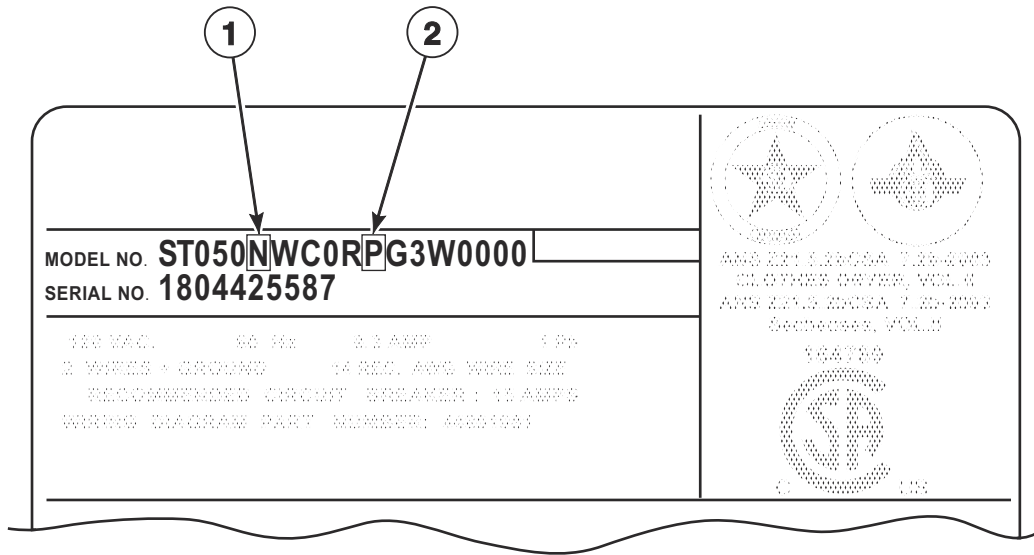
TMB2622N_70591801

Model Identification

Information in this manual is applicable to these tumbler models:

BA050E	GU050E	MJ050D	PR050E	UA050E
BA050L	GU050L	MJ050E	PR050S	UA050L
BA050N	GU050N	MJ050L	PT050C	UA050N
BA050S	GU050S	MJ050N	PT050E	UA050S
BG050D	HA050E	MJ050S	PT050L	UG050D
BG050E	HA050L	NA050E	PT050N	UG050E
BG050L	HA050N	NA050L	PT050S	UG050L
BG050N	HA050S	NA050N	PU050E	UG050N
BG050S	HG050D	NA050S	PU050L	UG050S
BH050E	HG050E	NG050E	PU050N	UH050E
BH050L	HG050L	NG050L	PU050S	UH050L
BH050N	HG050N	NG050N	SA050E	UH050N
BH050S	HG050S	NG050S	SA050L	UH050S
BJ050D	HH050E	NH050E	SA050N	UJ050D
BJ050E	HH050L	NH050L	SA050S	UJ050E
BJ050L	HH050N	NH050N	SG050D	UJ050L
BJ050N	HH050S	NH050S	SG050E	UJ050N
BJ050S	HJ050D	NJ050E	SG050L	UJ050S
BK050E	HJ050E	NJ050L	SG050N	UK050E
BK050L	HJ050L	NJ050N	SG050S	UK050L
BK050N	HJ050N	NJ050S	SH050E	UK050N
BL050E	HJ050S	NK050E	SH050L	UL050E
BL050L	HK050E	NK050L	SH050N	UL050L
BR050E	HK050L	NK050N	SH050S	UR050E
BR050S	HK050N	NR050E	SJ050D	UR050S
BU050E	HL050E	NR050S	SJ050E	UT050C
BU050L	HL050L	NU050E	SJ050L	UT050E
BU050N	HR050E	NU050L	SJ050N	UT050L
BU050S	HR050S	NU050N	SJ050S	UT050N
GA050E	HT050C	NU050S	SK050E	UT050S
GA050L	HT050E	PA050E	SK050L	UU050E
GA050N	HT050L	PA050L	SK050N	UU050L
GA050S	HT050N	PA050N	SL050E	UU050N
GG050E	HT050S	PA050S	SL050L	UU050S
GG050L	HU050E	PG050E	SR050E	
GG050N	HU050L	PG050L	SR050S	
GG050S	HU050N	PG050N	ST050C	
GH050E	HU050S	PG050S	ST050E	
GH050L	KT050E	PH050E	ST050L	
GH050N	KT050L	PH050L	ST050N	
GH050S	KT050N	PH050N	ST050S	
GJ050E	KT050S	PH050S	SU050E	
GJ050L	MG050D	PJ050E	SU050L	
GJ050N	MG050E	PJ050L	SU050N	
GJ050S	MG050L	PJ050N	SU050S	
GK050E	MG050N	PJ050S		
GK050L	MG050S	PK050E		
GK050N		PK050L		
		PK050N		

Product Overview - Heat Source and Voltage



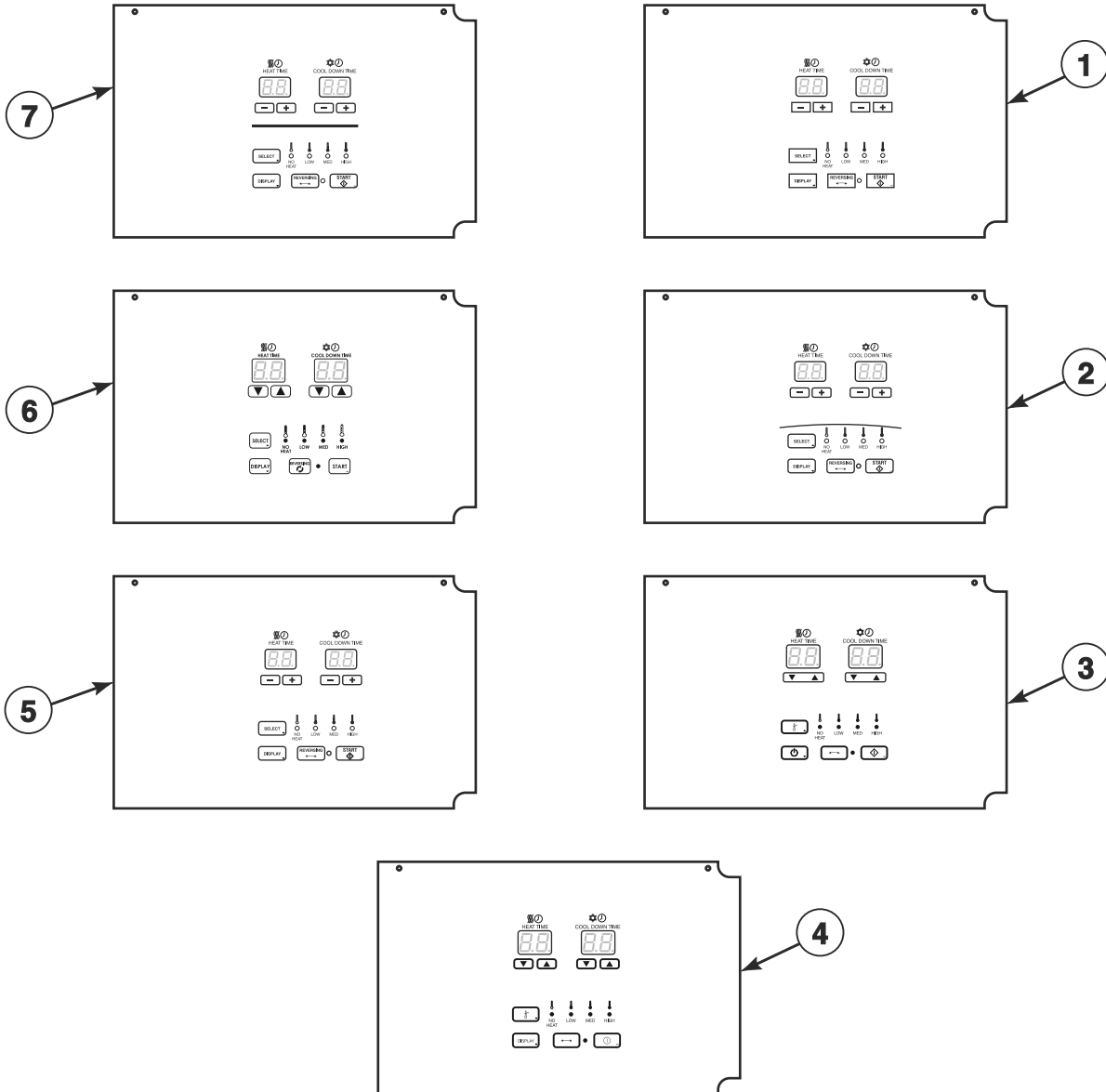
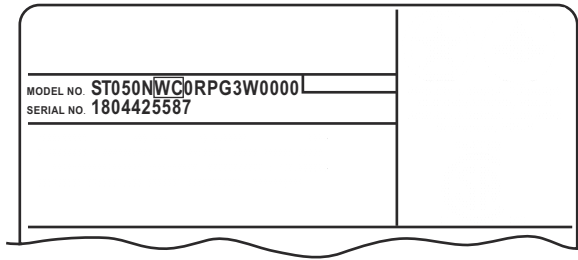
TMB3523P_70591801

Product Overview - Heat Source and Voltage

REF	PART NO.	DESCRIPTION	COMMENTS
1	-	Heat Source	C: Steam (CRN) D: Liquid Petroleum Gas (L.P.) E: Electric L: Liquid Petroleum Gas (L.P.) N: Natural Gas (N.G.) S: Steam
2	-	Voltage	B:100-120 Volt/50-60 Hertz/1 Phase; Gas and steam models E: 230-240 Volt/50-60 Hertz/1 Phase; Electric models F: 200-208 Volt/50-60 Hertz/3 Phase; Electric models G: 230-240 Volt/50-60 Hertz/3 Phase; Electric models H: 380 Volt/50-60 Hertz/3 Phase; Electric models J: 400-415 Volt/50-60 Hertz/3 Phase; Electric models K: 440 Volt/50-60 Hertz/3 Phase; Electric models L: 460-480 Volt/50-60 Hertz/3 Phase; Electric models N: 440-480 Volt/50-60 Hertz/3 Phase; Gas and steam models P: 380-415 Volt/50-60 Hertz/3 Phase; Gas and steam models Q: 200-240 Volt/50-60 Hertz/3Phase; Gas and steam models X: 200-240 Volt/50-60 Hertz/1-3 Phase; Gas and steam models

Product Overview - FN Control Suffix

All Models Except M Models; OPL



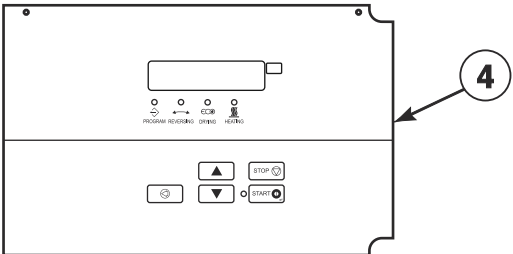
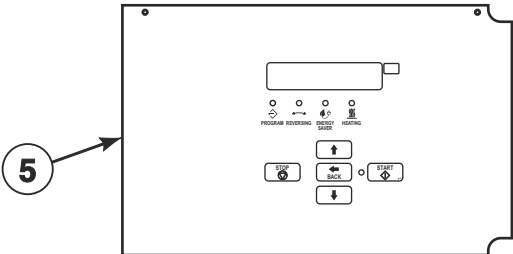
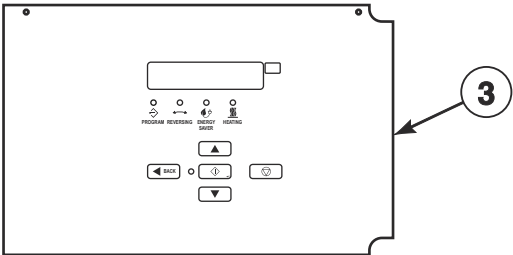
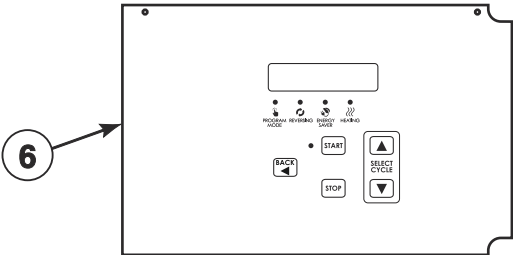
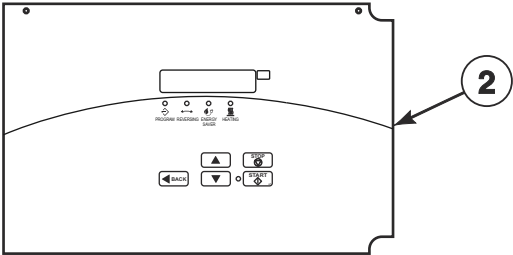
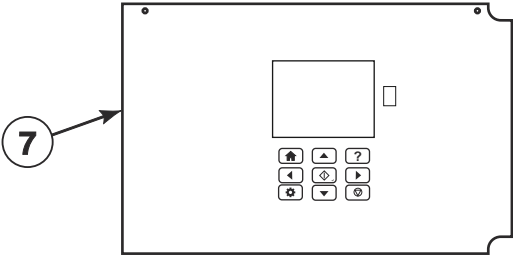
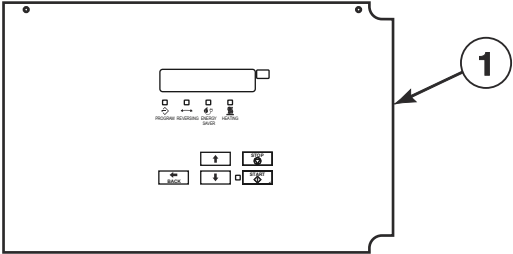
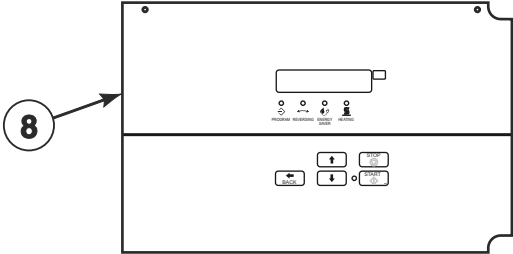
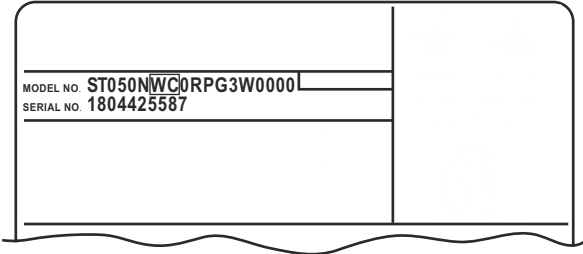
TMB3535P_70591801

Product Overview - FN Control Suffix

REF	PART NO.	DESCRIPTION	COMMENTS
1	-	Dual Digital Control	H models
2	-	Dual Digital Control	U models
3	-	Dual Digital Control	B models
4	-	Dual Digital Control	P models
5	-	Dual Digital Control	N models
6	-	Dual Digital Control	G and K models
7	-	Dual Digital Control	S models

Product Overview - DN and NN Control Suffixes

All Models Except M Models



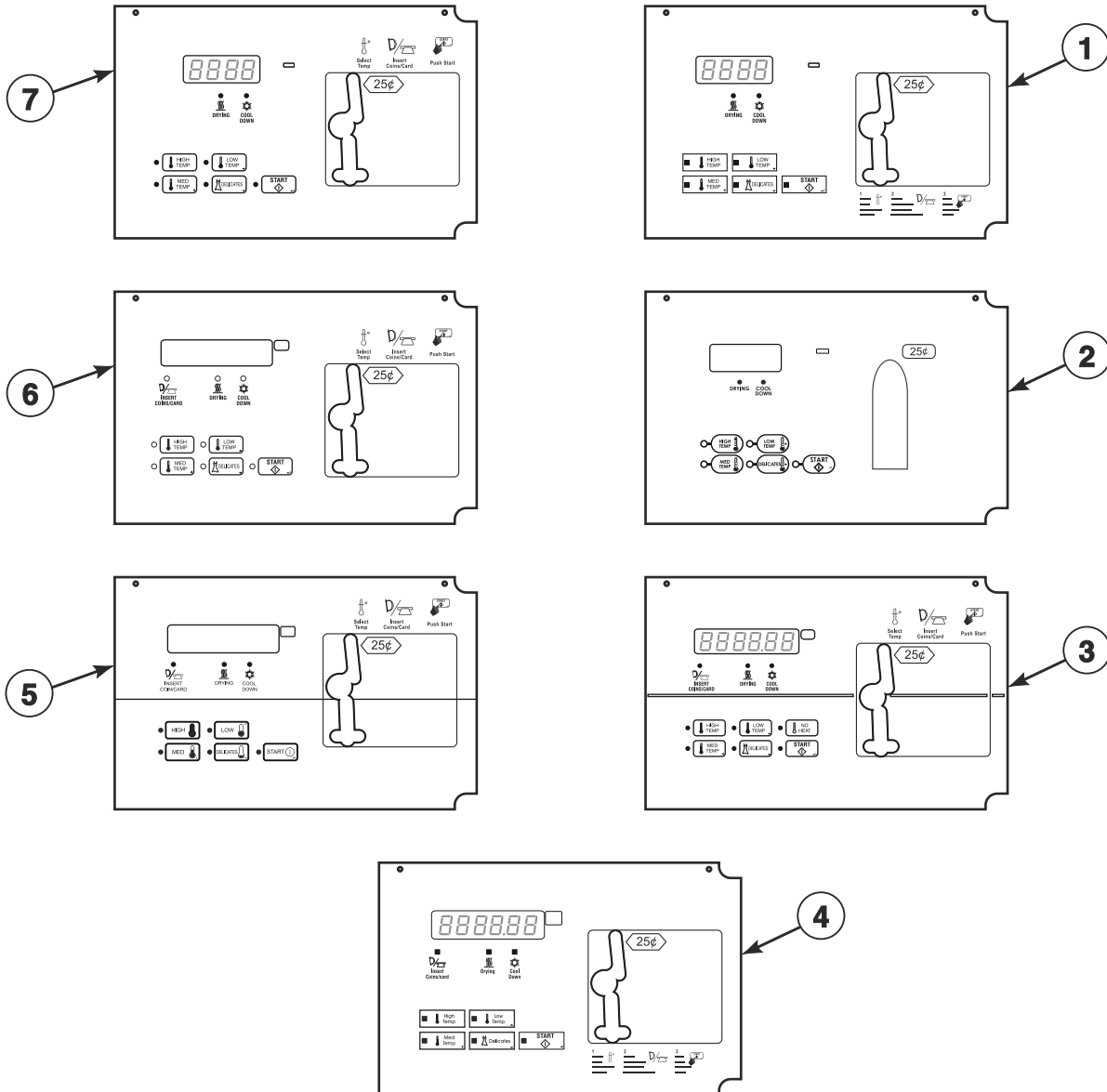
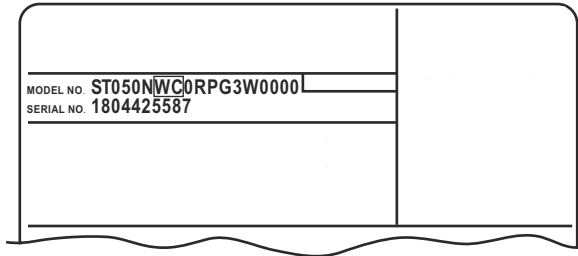
TMB3536P_70591801

Product Overview - DN and NN Control Suffixes

REF	PART NO.	DESCRIPTION	COMMENTS
1	-	Galaxy Control	H models
2	-	M-Series Control	U models
3	-	OPTimum Control	B models
4	-	OPL Micro Control	P models
5	-	OPL Micro Control	N models
6	-	OPL Micro Control	G and K models
7	-	UniLinc Control	U models
8	-	Quantum Gold Control	S models

Product Overview - B, N and W Control Suffixes

7th Position of the Model Number; Vend

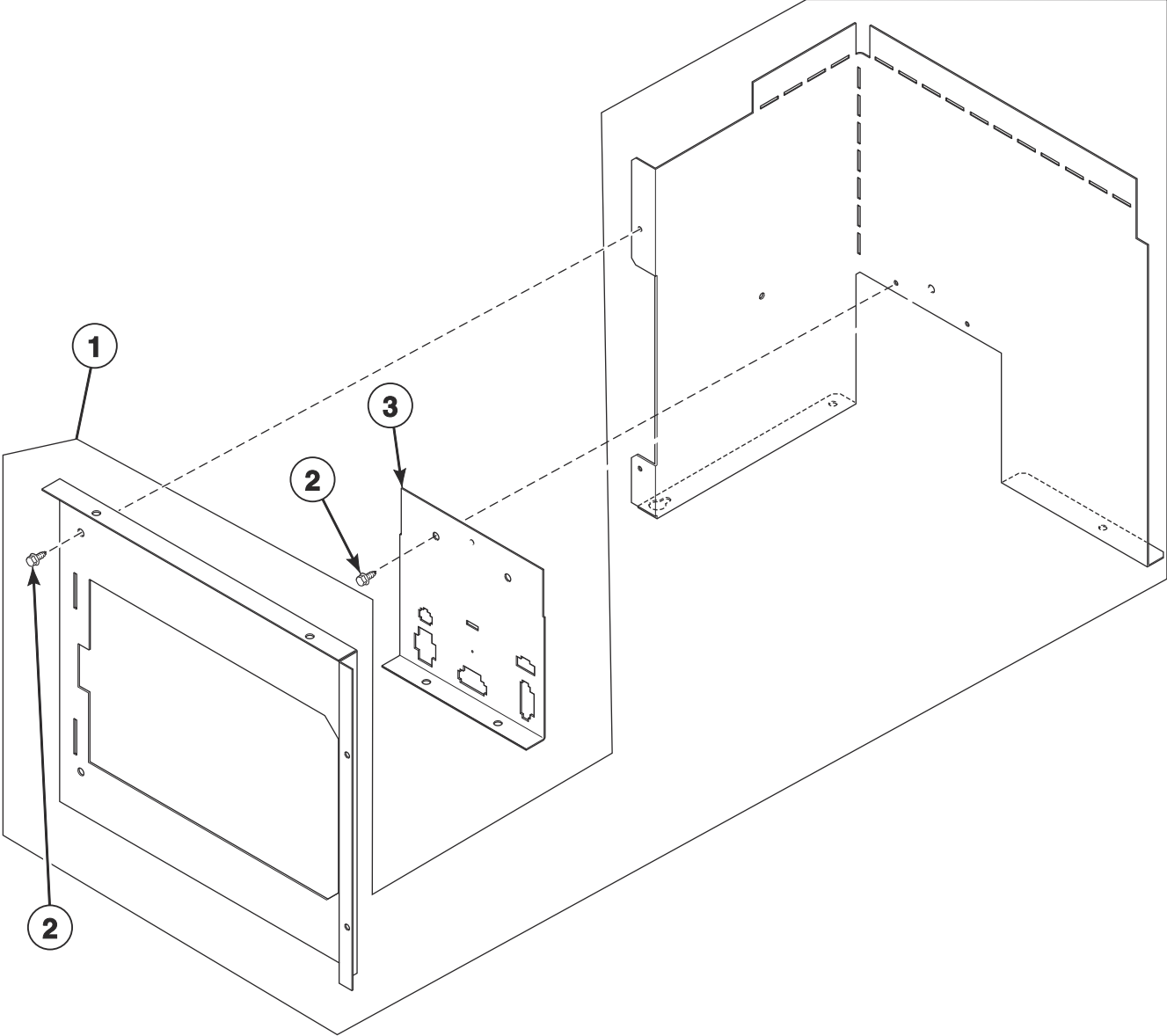


TMB3537P_70591801

Product Overview - B, N and W Control Suffixes

REF	PART NO.	DESCRIPTION	COMMENTS
1	-	Basic Electronic Control	H and N models
2	-	Basic Electronic Control	G and K models
3	-	Quantum Gold Control	M and S models
4	-	Galaxy 600	H models
5	-	XQ Control	P models
6	-	EVO7S Control	B models
7	-	MDC II Control	S models

Control Box



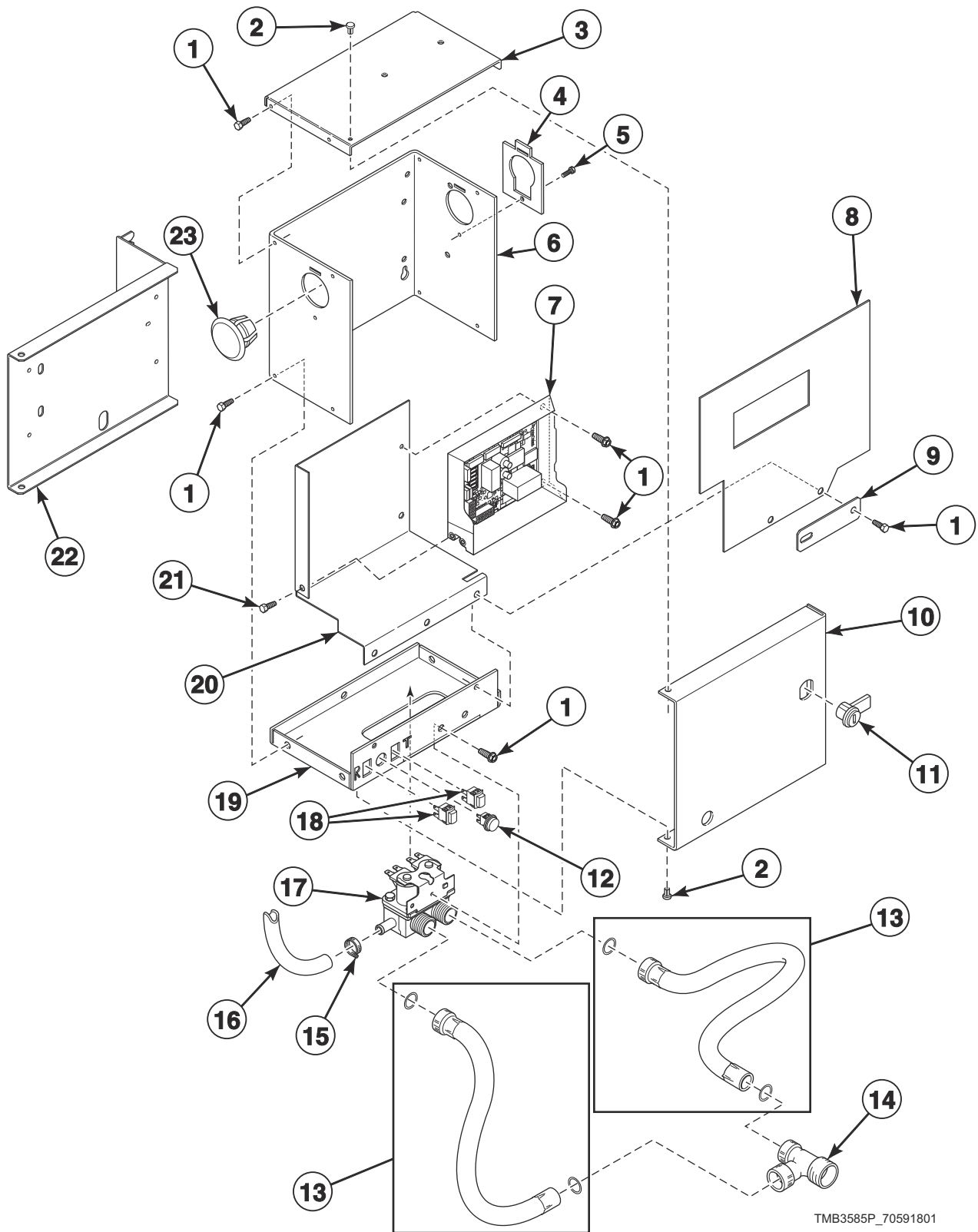
TMB3524P_70591801

Control Box

REF	PART NO.	DESCRIPTION	COMMENTS
	44334201	Main Harness	
1	44180101	Control Box Assembly	
2	430497	Screw	
3	70307007	Harness Mounting Plate	

Fire Suppression System Control Box

B, G, H, K, P, S and U Gas and Steam Models



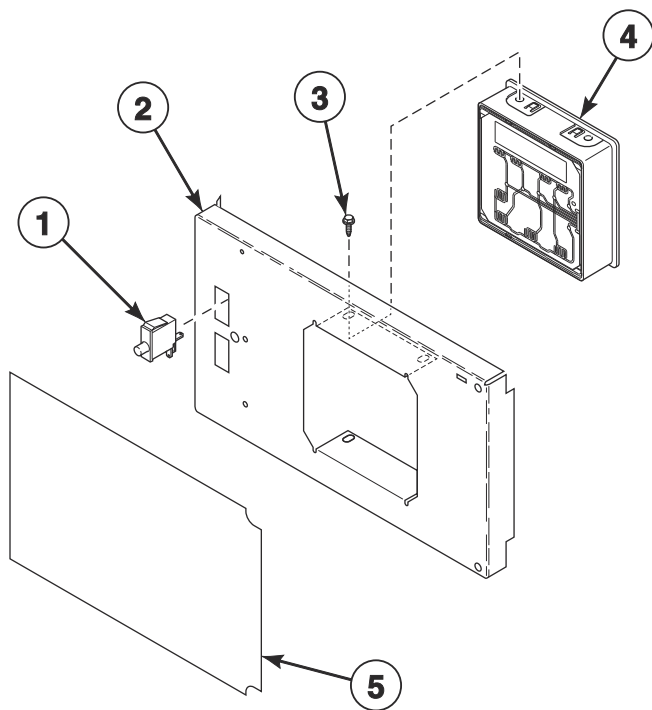
TMB3585P_70591801

Fire Suppression System Control Box

REF	PART NO.	DESCRIPTION	COMMENTS
	44340301	Cold Weather Kit	
	70155601	Key	RL001; Use with item 11
	44334404	Control Harness	
	44334405	Water Valve Harness	
	44334402	Power Sensor Harness	
	44334406	Sensor Harness	
	44334401	Interconnect Harness	
	44324501	Warning Label	F.S.S.; CSA models
	44324500	Label Kit	F.S.S.; IEC models
	F8614401	Shock Warning Label	CSA models
	F8614201	Shock Warning Label	IEC models
	44318200	Label Kit	IEC models
	44324502	Warning Label	
	44318201	Label	CSA models
1	430497	Screw	
2	M400713	Drive Rivet	
3	44307101	Control Box Top	
4	70523301	Harness Adapter Plate	
5	51780	Screw	
6	44306701	Control Box Housing	
7	70511601	Control	
8	44326801	Shield	
9	70551701	Filter Mounting Plate	
10	44065201	Control Box Cover	
11	44089301P	Lock, Key and Nut Kit	RL001 key code; Optional if same key is to be used for control lock
12	801432	Light	
13	202799	Fill Hose	2 required
14	44069101	Hose Fitting	CSA models
15	36801	Hose Clamp	
16	44073304	Hose	14 inches; Outlet hose
17	70519801	Mixing Valve	
18	801434W	Push-to-Start Switch	2 required
19	44065301	Control Box Base	
20	44306601	Mixing Valve Shield Bracket	
21	804608	Screw	
22	44308701	Mount Bracket	
23	70180001	Plug	

Dual Digital Control

All Models Except M with F in the 7th Position



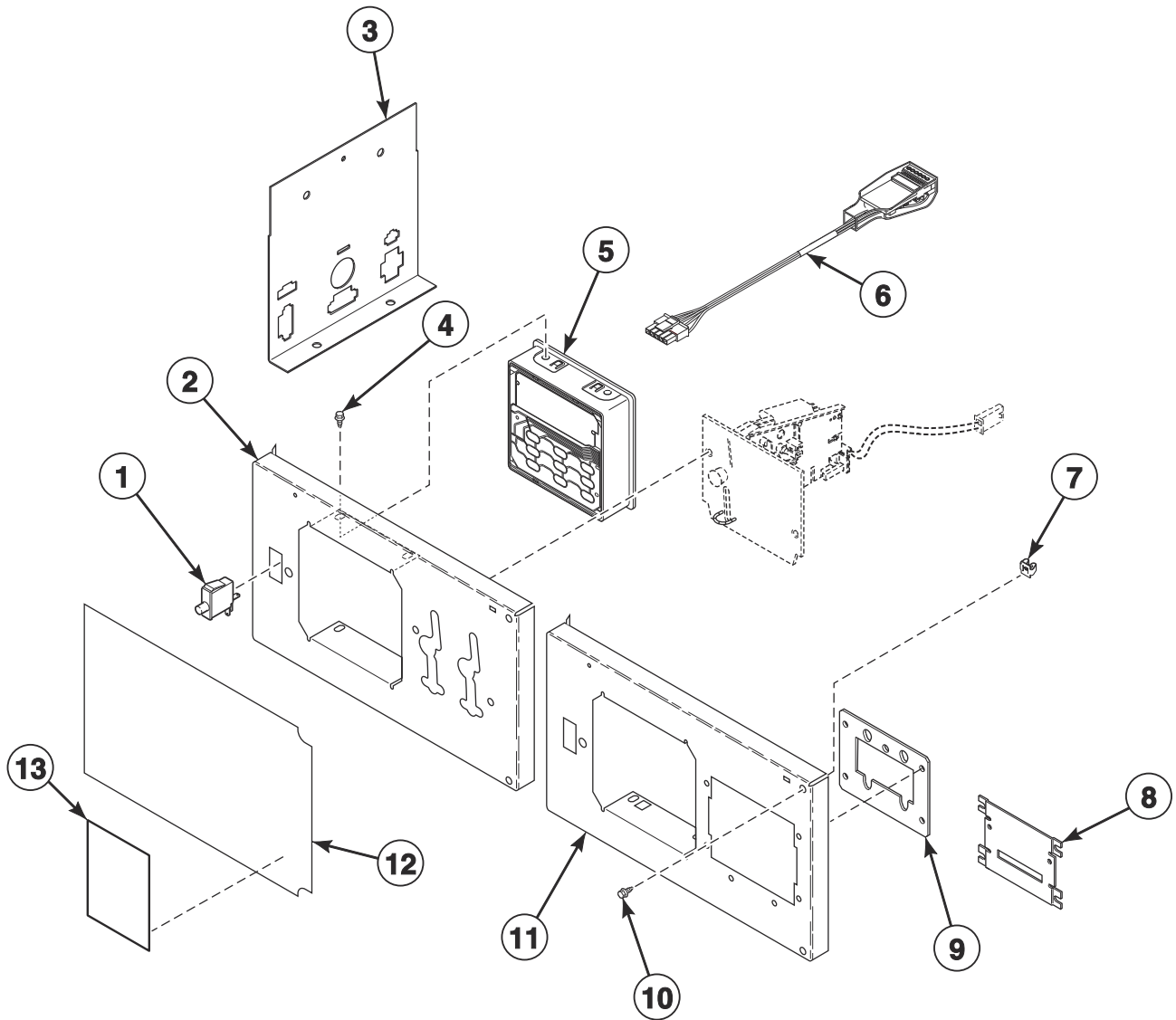
TMB3505P_70591801

Dual Digital Control

REF	PART NO.	DESCRIPTION	COMMENTS
	44334001	Vend Activation Harness	
1	70413301	Pushbutton Switch	
2	70497101	Control Plate	
3	804608	Screw	4 required
4	70523101	Control Assembly	P models; Blue
	70479801	Control Assembly	G, H, K, N, S and U models; Green
	70479901	Control Assembly	B models; Red
5	70539102	Overlay	B models; Nonreversing
	70539101	Overlay	B models; Reversing
	70547502	Overlay	G and K models; Nonreversing
	70547501	Overlay	G and K models; Reversing
	70517802	Overlay	H models; Nonreversing
	70517801	Overlay	H models; Reversing
	70545502	Overlay	P models; Nonreversing
	70545501	Overlay	P models; Reversing
	70516802	Overlay	N and S models; Nonreversing
	70516801	Overlay	N and S models; Reversing
	70519002	Overlay	U models; Nonreversing
	70519001	Overlay	U models; Reversing

Electronic Display Control - Vend Models with B in the 7th Position

G, H, K, N and S Models



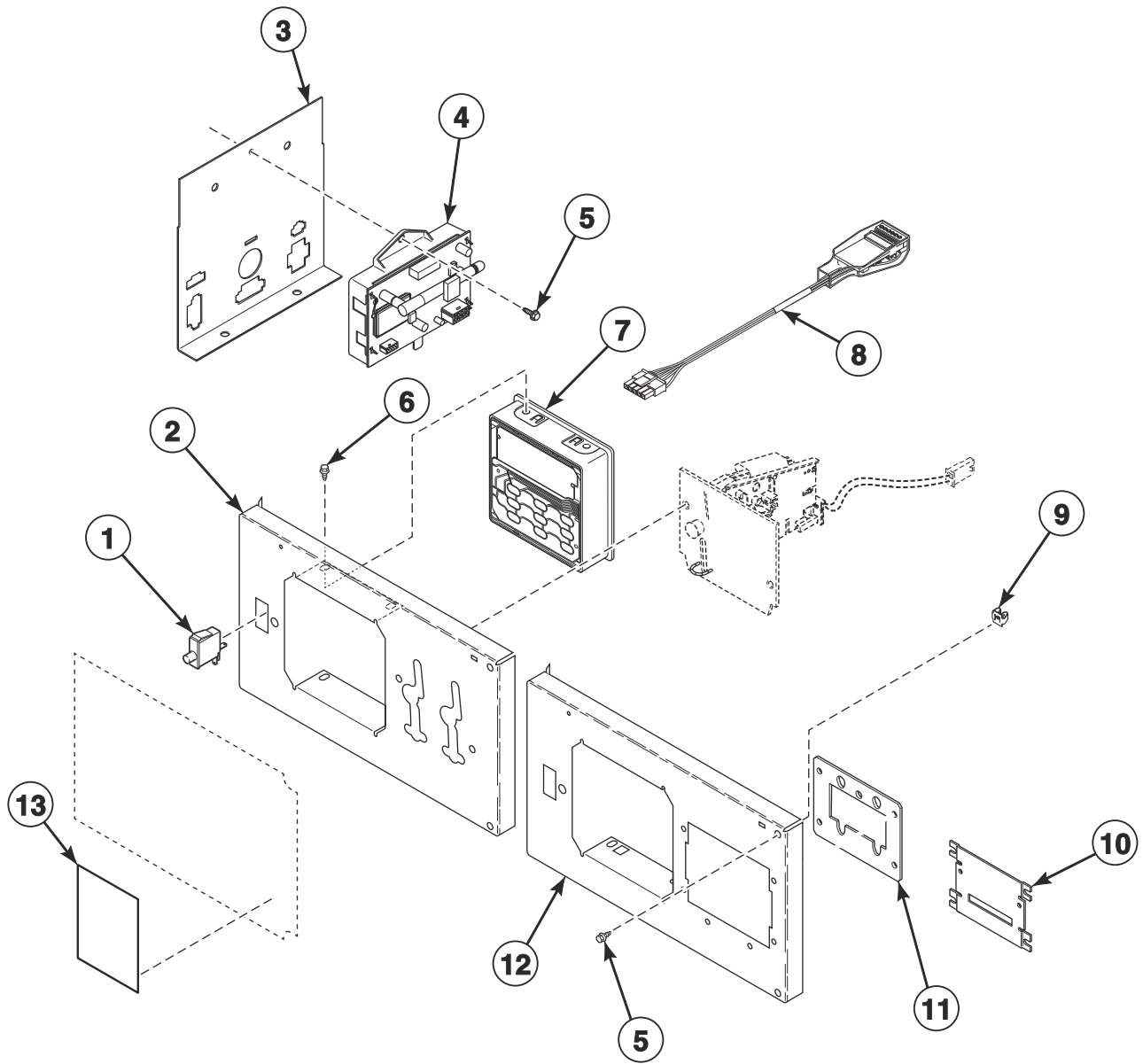
TMB3506P_70591801

Electronic Display Control - Vend Models with B in the 7th Position

REF	PART NO.	DESCRIPTION	COMMENTS
	44334001	Vend Activation Harness	
	44306001	Central Pay Harness	
1	70413301	Pushbutton Switch	
2	70496601	Control Plate and Studs Assembly	Coin and central pay
3	70307007	Harness Mounting Plate	
4	804608	Screw	4 required
5	70478801	Control Assembly	
6	203361P	Machine ID Control Assembly	Model or serial number is required when ordering
7	70030501	Expansion Clip	2 required
8	44089501	Slot Card Plate Assembly	H, N and S models; Included in literature packet
9	70208801	Mounting Plate	
10	M411072	Screw	2 required
11	70497201	Control Plate Assembly	Card and card ready
12	70544701	Overlay	N and S models; Single drop
	70544702	Overlay	N and S models; Dual drop
	70544703	Overlay	N and S models; Card ready
	70570301	Overlay	H models; Single drop
	70570302	Overlay	H models; Dual drop
	70570303	Overlay	H models; Card ready
	70547401	Overlay	G and K models; Single drop
	70547402	Overlay	G and K models; Dual drop
	70548101	Overlay	G and K models; Card ready
13	F8205101	Overlay	Black; Single drop; Left
	70557001	Overlay	N and S models; Prep for card
	70557002	Overlay	N and S models; Central pay
	70556501	Overlay	H models; Prep for card
	70556502	Overlay	H models; Central pay
	70518101	Overlay	H models; Citron; Prep for card
	70518102	Overlay	H models; Citron; Central pay

Electronic Display Control - Vend Models with N or W in the 7th Position

B, H, M, P and S Models



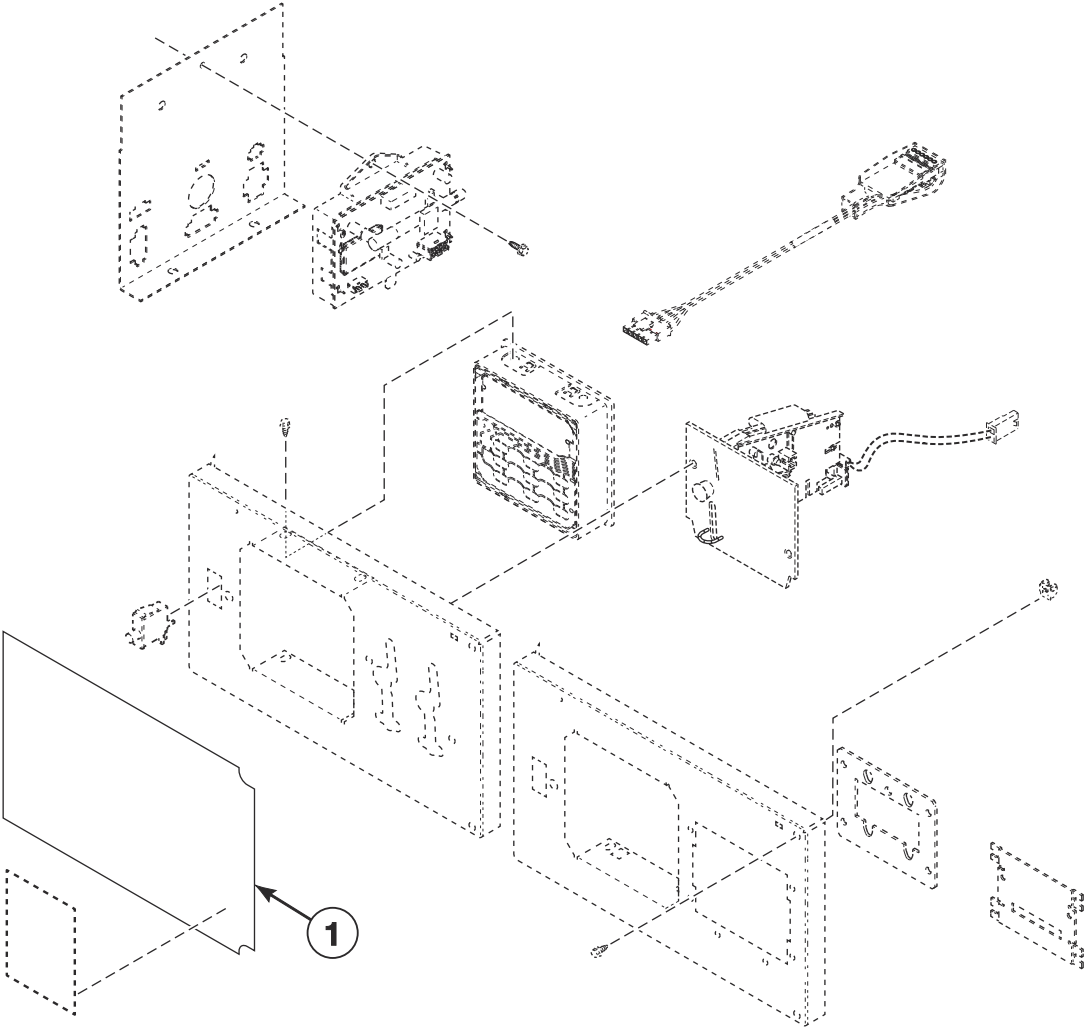
TMB3507P_70591801

Electronic Display Control - Vend Models with N or W in the 7th Position

REF	PART NO.	DESCRIPTION	COMMENTS
	70596301	Wireless Network Kit	
	44334001	Vend Activation Harness	
	F8536002	Wireless Network Board Harness	
	F8613201	FCC-IC Label	HT, PT and ST models
	F8649601	Label	H models
1	70413301	Pushbutton Switch	
2	70496601	Control Plate and Studs Assembly	Coin and central pay
3	70307007	Harness Mounting Plate	
4	203532	Wireless Network Control Assembly	
5	M411072	Screw	
6	804608	Screw	4 required
7	70523001	Control Assembly	P models; Blue
	70478801	Control Assembly	H, M and S models; Green
	70478901	Control Assembly	B models; Red
8	203361P	Machine ID Control Assembly	Model or serial number is required when ordering
9	70030501	Expansion Clip	
10	44089501	Slot Card Plate Assembly	
11	70208801	Mounting Plate	
12	70497201	Control Plate Assembly	Card and card ready
13	F8205101	Overlay	S models; Single drop; Left
	70557001	Overlay	B and S models; Prep for card
	70557002	Overlay	B and S models; Central pay
	70295101	Overlay	S models; World drop
	70556801	Overlay	H models; World drop
	70556501	Overlay	H models; Prep for card
	70556502	Overlay	H models; Central pay
	70556601	Overlay	H models; Single drop; Left
	70556901	Overlay	H models; Citron; World drop
	70518101	Overlay	H models; Citron; Prep for card
	70518102	Overlay	H models; Citron; Central pay
	70556701	Overlay	H models; Citron; Left
	70556201	Overlay	P models; Single drop; Right
	70556401	Overlay	P models; Prep for card
	70556402	Overlay	P models; Central pay
	70556301	Overlay	P models; Single drop; Left

Electronic Display Control Overlays- Vend Models with N or W in the 7th Position

B, H, M, P and S Models



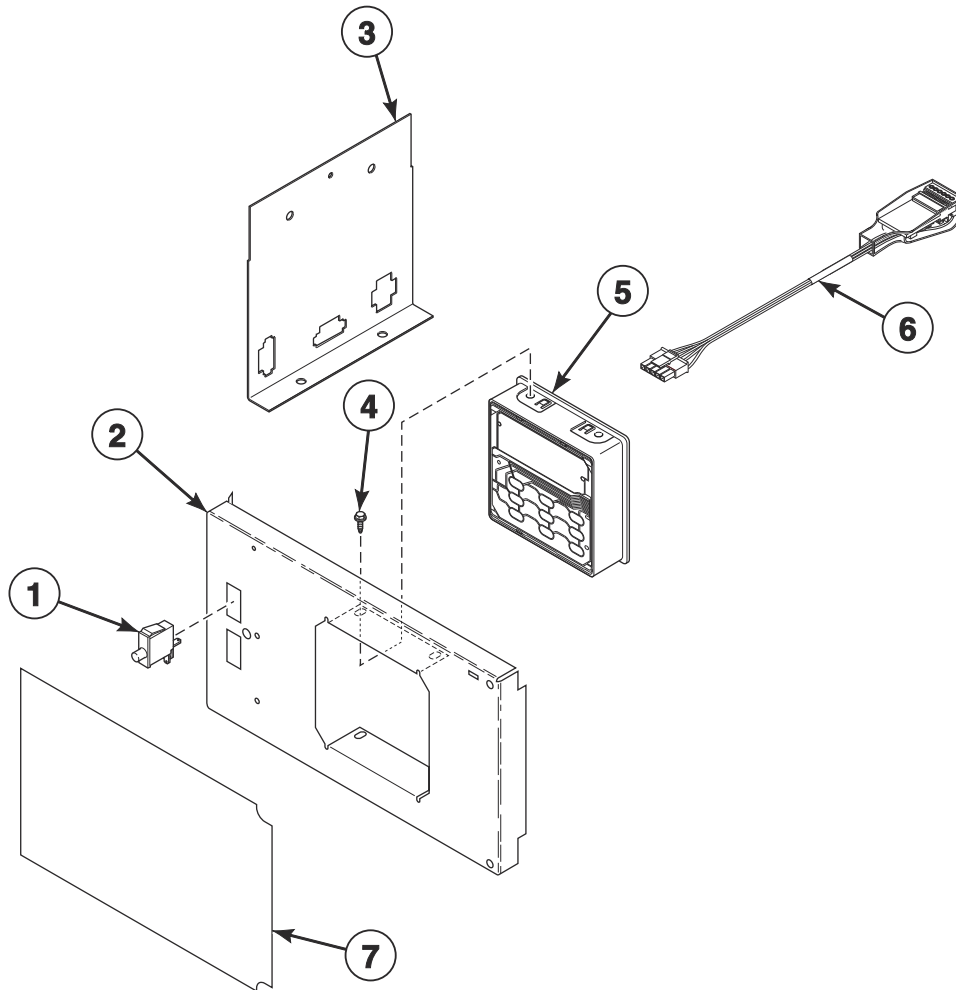
TMB3507PA_70591801

Electronic Display Control Overlays- Vend Models with N or W in the 7th Position

REF	PART NO.	DESCRIPTION	COMMENTS
1	70512004	Overlay	S models; Single drop
	70512005	Overlay	S models; Dual drop
	70512006	Overlay	S models; Card ready
	70512007	Overlay	S models; Central pay
	70512008	Overlay	S models; World drop
	70559001	Overlay	Models SG050D and SJ050D
	70572601	Overlay	M models
	70517001	Overlay	H models; Single drop
	70517002	Overlay	H models; Dual drop
	70517003	Overlay	H models; Card ready
	70517004	Overlay	H models; Central pay
	70517005	Overlay	H models; World drop
	70571001	Overlay	H models; Single drop; Cityscape
	70571002	Overlay	H models; Dual drop; Cityscape
	70571003	Overlay	H models; Card ready; Cityscape
	70518201	Overlay	H models; Single drop; Citron
	70518202	Overlay	H models; Dual drop; Citron
	70518203	Overlay	H models; Card ready; Citron
	70571101	Overlay	B models; Single drop
	70571102	Overlay	B models; Dual drop
	70571103	Overlay	B models; Card ready
	70541201	Overlay	P models; Single drop
	70541202	Overlay	P models; Dual drop
	70541203	Overlay	P models; Card ready

Electronic Display Control - OPL Models with N in the 7th Position

All Models Except M Models



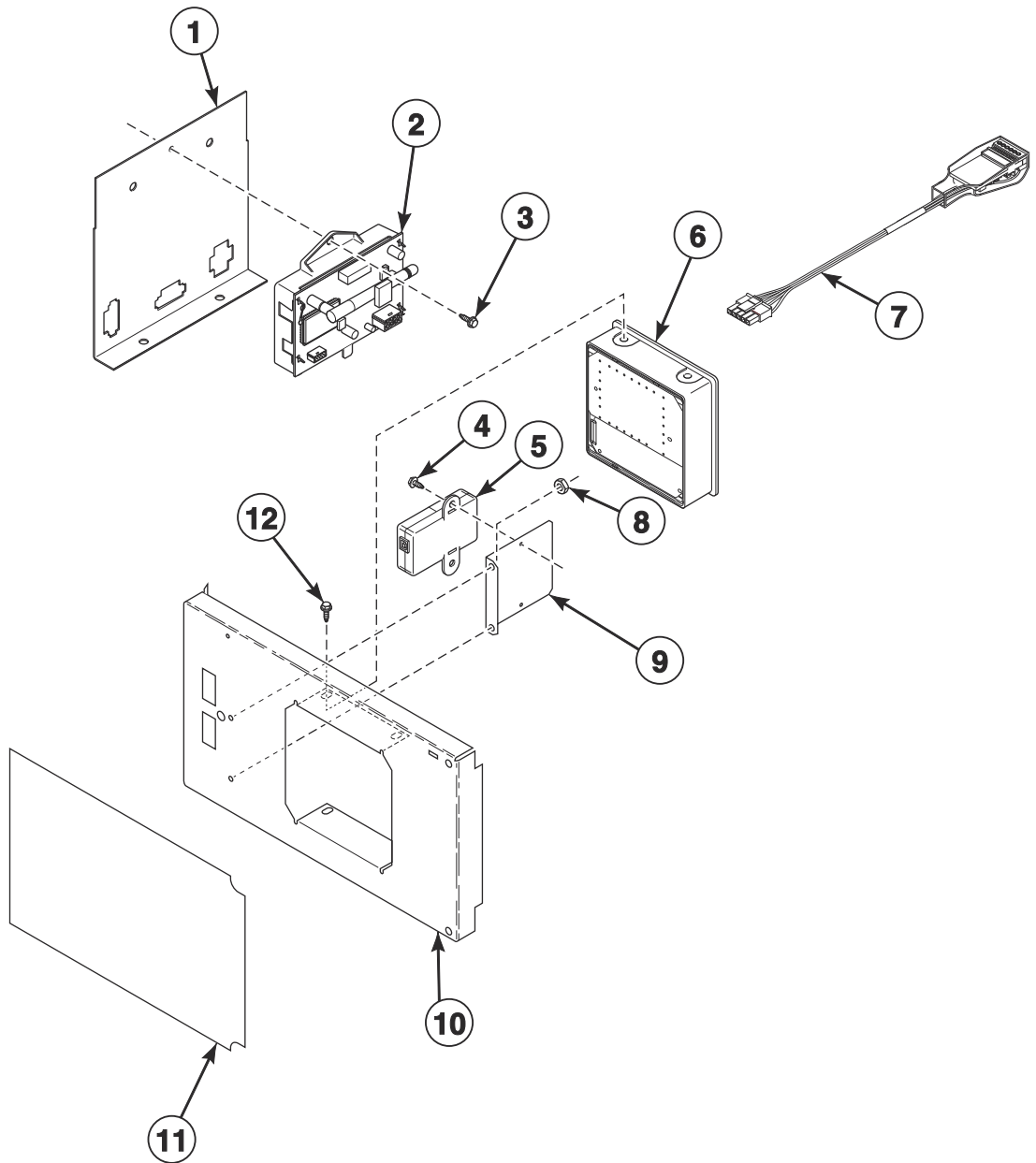
TMB3508P_70591801

Electronic Display Control - OPL Models with N in the 7th Position

REF	PART NO.	DESCRIPTION	COMMENTS
	44334001	Vend Activation Harness	
1	70413301	Pushbutton Switch	
2	70497101	Control Plate	
3	70307007	Harness Mounting Plate	
4	804608	Screw	4 required
5	70523002	Control Assembly	P models
	70478802	Control Assembly	G, H, K, N, S and U models
	70478902	Control Assembly	B models
6	203361P	Machine ID Control Assembly	Model or serial number is required when ordering
7	70570601	Overlay	S models; Reversing
	70570602	Overlay	S models; Nonreversing
	70571401	Overlay	U models; Reversing
	70571402	Overlay	U models; Nonreversing
	70570801	Overlay	H models; Reversing
	70570802	Overlay	H models; Nonreversing
	70548801	Overlay	B models; Reversing
	70548802	Overlay	B models; Nonreversing
	70547801	Overlay	G and K models; Reversing
	70547802	Overlay	G and K models; Nonreversing
	70571601	Overlay	P models; Reversing
	70571602	Overlay	P models; Nonreversing
	70572401	Overlay	N models; Reversing
	70572402	Overlay	N models; Nonreversing

3.5 Inch Graphical Control

U models with D in the 7th Position



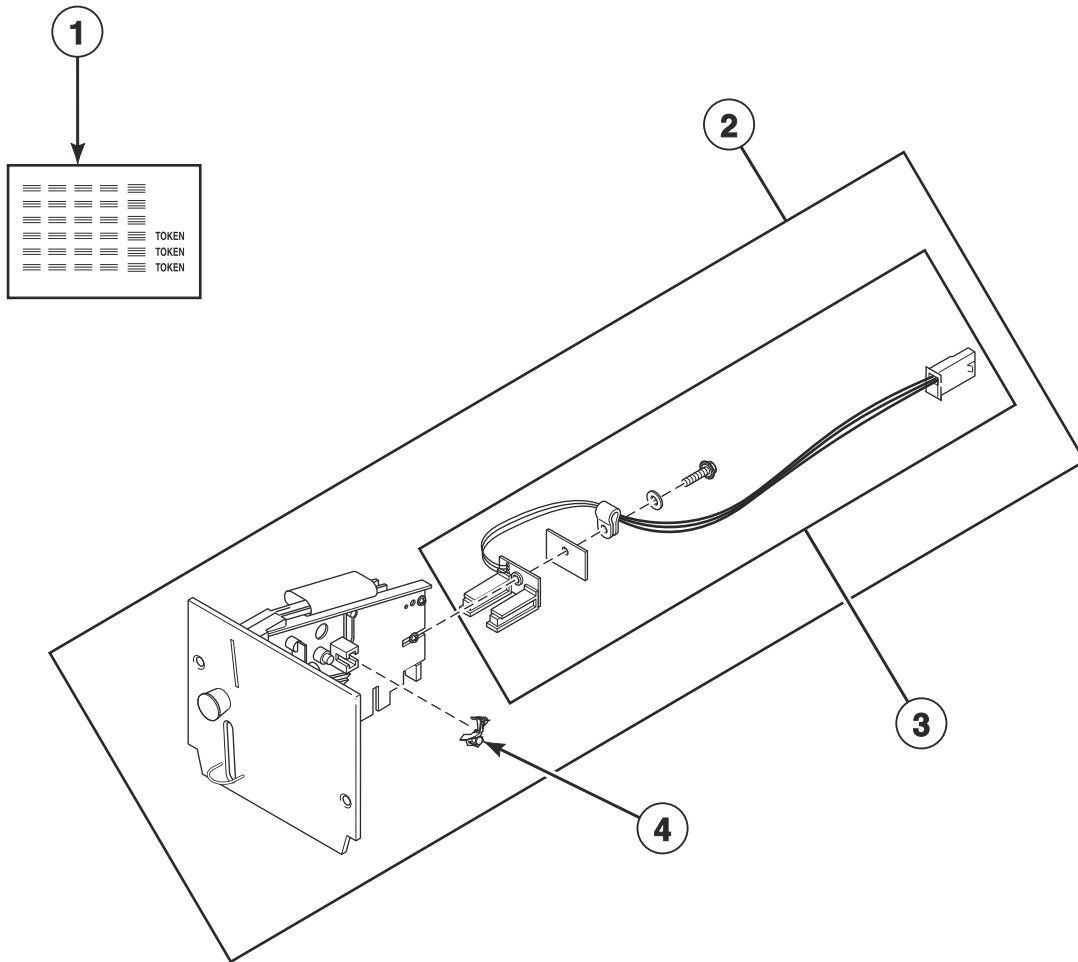
TMB3509P_70591801

3.5 Inch Graphical Control

REF	PART NO.	DESCRIPTION	COMMENTS
	70596301	Wireless Network Kit	
	F8536002	Wireless Network Board Harness	
	F8617901	Harness	USB
	F8613201	FCC-IC Label	UT models
1	70307007	Harness Mounting Plate	
2	203532	Wireless Network Control Assembly	
3	M411072	Screw	
4	33562	Screw	2 required
5	203440	USB-Serial Interface Assembly	
6	70543104	Control Assembly	
7	203361P	Machine ID Control Assembly	Model or serial number is required when ordering
8	44071201	Nut	2 required
9	70547001	USB Bracket	
10	70570201	Control Door and Studs Assembly	
11	70519201	Overlay	
12	804608	Screw	4 required

Coin Drops

All Models Except U Models



TMB3510P_70591801

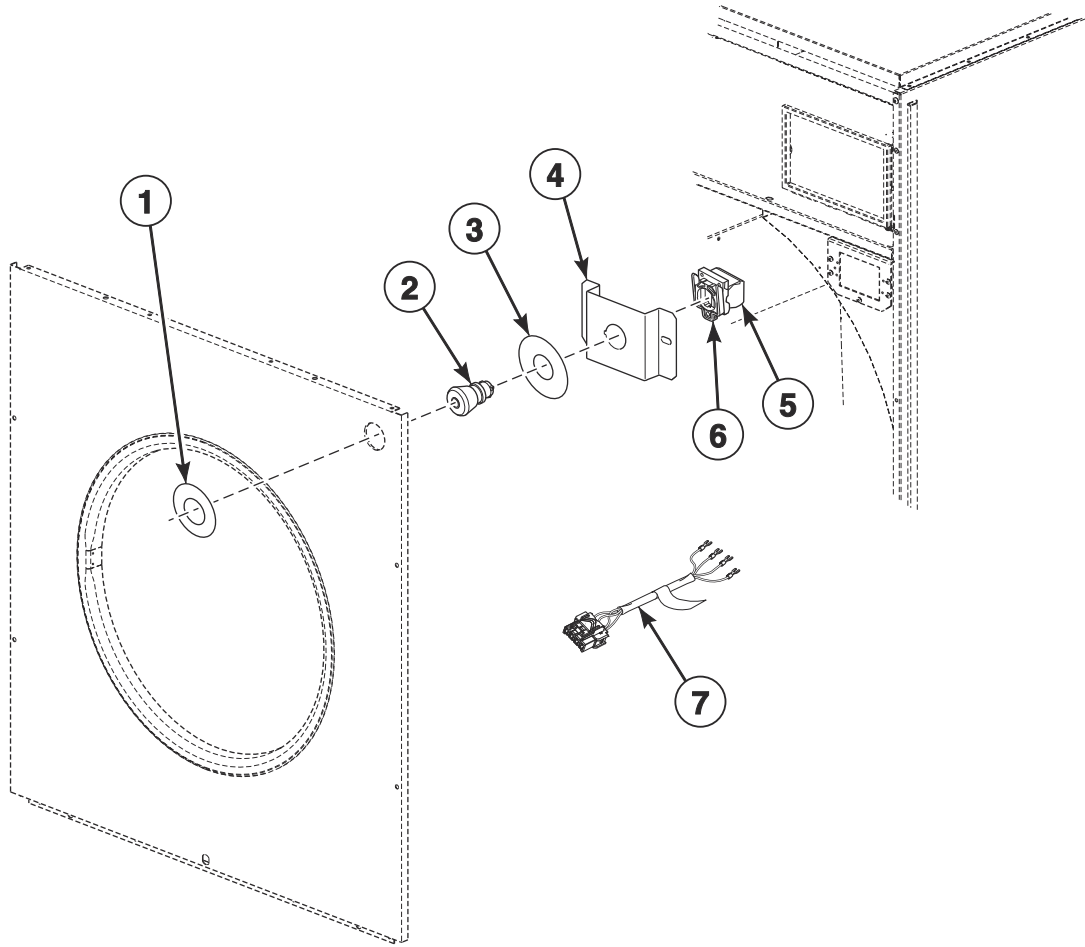
Coin Drops

REF	PART NO.	DESCRIPTION	COMMENTS
1	38725	Coin Identification Paper	
2	70441601P	Coin Drop	Single; U.S.A.; \$.25
	38475	Coin Drop Assembly	Single; Japan; 100 yen
	38464P	Coin Drop Assembly	Single; Canada; .25
	CK077	Coin Drop Kit	Single; Taiwan; 10 NT
	70506901	Coin Drop Assembly	Single; Singapore; \$1.00 NEW
	70441603	Coin Drop	Dual; U.S.A.; \$.25 and \$1.00
	38519	Coin Drop Assembly	Dual; Japan; 100 yen and 500 yen
	70441602	Coin Drop Assembly	Dual; Canada; .25 and 1.00
	38467	Coin Drop Assembly	Dual; Australia; \$0.20 and \$1.00
	70447301	Coin Drop Assembly	Dual; Australia; \$1.00 and \$2.00
	70283102	Coin Drop Assembly	Dual; 0.20 and 0.50 Euro
	210195	Coin Drop Assembly	Dual; 0.20 and 1.00 Euro
	210196	Coin Drop Assembly	Dual; 0.50 and 1.00 Euro
	F0160737-00	Coin Meter	Dual; 0.50 and 2.00 Euro
	70281102	Coin Drop Assembly	Dual; Taiwan; 10 and 50 NT
	70482401	Coin Drop Assembly	Dual; New Zealand ; \$1.00 and \$2.00
	38462P	Coin Drop Assembly	Single; Token; STD 118-1
	38463	Coin Drop Assembly	Single; Token; STD 118-5
	38963P	Coin Drop	Single; Token STD 118-16
	39748	Coin Drop	Single; Jeton 08MS
	201141	Coin Drop Assembly	Single; Token; Jeton wh121
	70471601	Coin Drop Assembly	Single; Token; 7K
	70513302	Electronic Coin Drop Assembly	Euro and Great Britain coins
	70513310	Electronic Coin Drop Assembly	Japan and Thailand coins
	70513304	Electronic Coin Drop Assembly	Australia, New Zealand, Hong Kong and South Korea coins
	70513303	Electronic Coin Drop Assembly	Denmark, Norway and Euro coins
	70513306	Electronic Coin Drop Assembly	Mexico, Ecuador and U.S.A. coins
	70294107	Electronic Coin Drop Assembly	Lithuania, Latvia and Euro coins
	70513311	Electronic Coin Drop Assembly	China and Malaysia coins
	70513308	Electronic Coin Drop Assembly	South African 1, 2 and 5 rand coins
	70513309	Electronic Coin Drop Assembly	Euro coins
	70513312	Electronic Coin Drop Assembly	Russia coins
	70513313	Electronic Coin Drop Assembly	Phillipines coins
	70513314	Electronic Coin Drop Assembly	Thailand coins
	70513315	Electronic Coin Drop Assembly	Chile coins
	70513316	Electronic Coin Drop Assembly	Singapore coins
3	200674P	Opto Coupler	
4	201595P	Wire Guard	

Coin Drop Kits

REF	PART NO.	DESCRIPTION	COMMENTS
	CK115	Electronic Coin Drop Kit	United States and Canada
	CK099	Electronic Coin Drop Kit	Australia (default), New Zealand, Hong Kong, South Korea and Malaysia
	CK100	Electronic Coin Drop Kit	United Kingdom (default) and Europe
	CK101	Electronic Coin Drop Kit	Europe (default), Denmark and Norway
	CK108	Electronic Coin Drop Kit	South Africa
	CK109	Electronic Coin Drop Kit	Euro
	CK110	Electronic Coin Drop Kit	Mexico (default), Ecuador and United States
	CK113	Electronic Coin Drop Kit	Japan and Taiwan
	CK116	Electronic Coin Drop Kit	Malaysia (default) and China
	CK117	Electronic Coin Drop Kit	Russia
	CK118	Electronic Coin Drop Kit	Philippine
	CK119	Electronic Coin Drop Kit	Thailand
	CK120	Electronic Coin Drop Kit	Chile
	CK121	Electronic Coin Drop Kit	Singapore
	CK122	Coin Drop Kit	New Zealand; 1.00 and 2.00

Emergency Stop Button

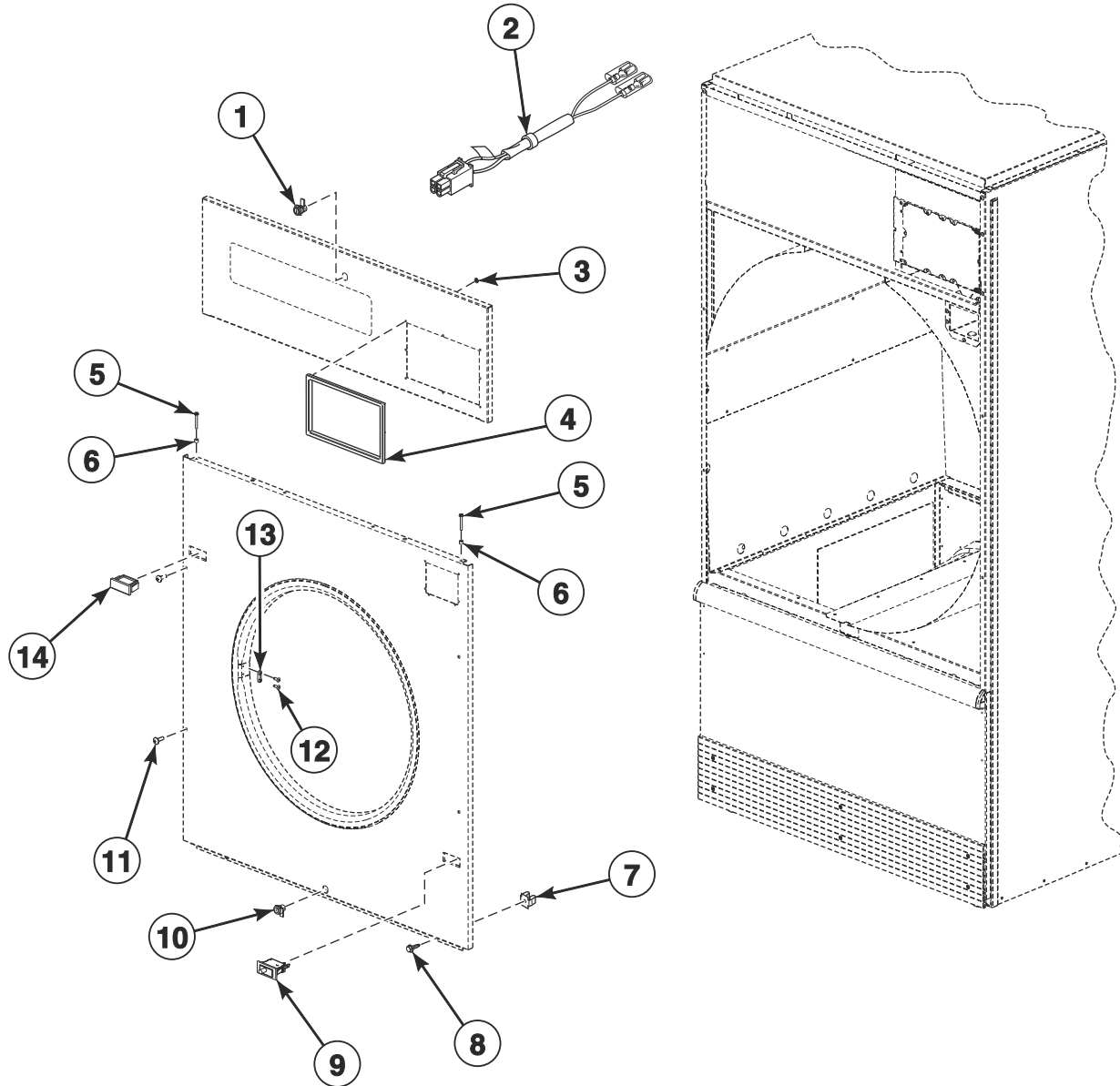


TMB3513P_70591801

Emergency Stop Button

REF	PART NO.	DESCRIPTION	COMMENTS
	70580301	Emergency Stop Button Kit	Includes items 2-4
	F8519403	Emergency Stop Bypass Harness	Coin, card and central pay
	44272106	Emergency Stop Interconnect Harness	
1	44012903	Emergency Stop Label	
2	F200233500	Emergency Stop Pushbutton	
3	44012901	Emergency Stop Label	
4	70550401	Emergency Stop Mounting Bracket	
5	F8069501	Contact Switch	2 required
6	F8538101	Contact Base	
7	44272401	Emergency Stop Harness	

Cabinet Front Components

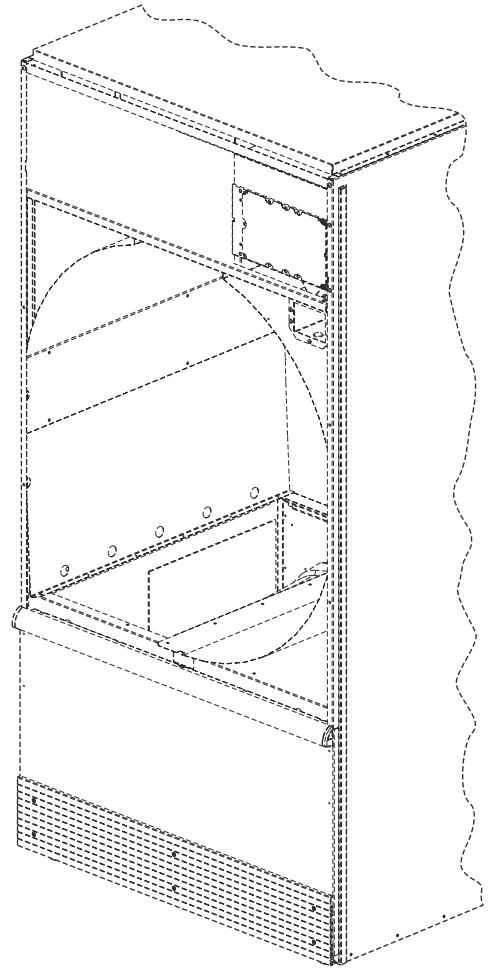
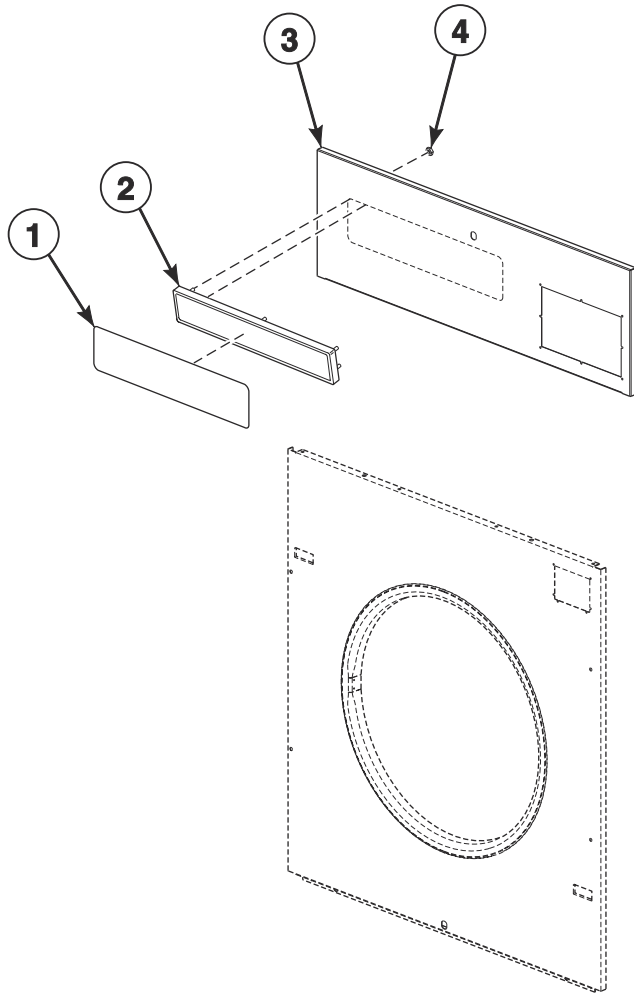


TMB3538P_70591801

Cabinet Front Components

REF	PART NO.	DESCRIPTION	COMMENTS
	M4379P4	Tumbler Dolly Kit	
	D511476	Jumper Harness	Card reader present
	44271502	Door Switch Harness	
	44334103	Bypass Harness	Card and central pay
1	44089301P	Lock, Key and Nut Kit	RL001 key code; Control panel; Optional if same key is to be used for control lock
	70155601	Key	RL001
	44089304	Panel Lock	RL001; Chrome
2	44334101	Coin Vault Switch Harness	
3	M400977	Nut	8 required per control trim
4	70529401	Control Trim	H models
	44016401	Control Trim	G, K, M, N, P and S models; Black
5	70275801	Screw	4 required
6	56079	Panel Locator	2 required
7	70030501	Expansion Clip	
8	M411072	Screw	4 required; Front panel; Bottom
9	70413301	Pushbutton Switch	Door switch
10	44089301P	Lock, Key and Nut Kit	RL001 key code; Lint panel; Optional if same key is to be used for control lock
	70155601	Key	RL001
	44089302P	Lock, Key and Nut Kit	RL002 key code; Lint panel; Standard coin and card models
	70155602	Key	RL002
	44089305	Panel Lock	RL002; Chrome
11	70033502	Screw	4 required for painted panels; 2 required for stainless steel panels in addition to 2 of 70182601 Screw
	70182601	Screw	2 required for stainless steel panels in addition to 2 of 70033502 Screw
12	M400003	Pop Rivet	2 per door latch
13	M401223	Door Latch	2 required
14	44057801W	Switch Hole Plug	White
	44057801Q	Switch Hole Plug	Bisque
	44057801B	Switch Hole Plug	Black; For stainless steel
	44057801LG	Switch Hole Plug	Light gray

Cabinet Panels and Nameplates



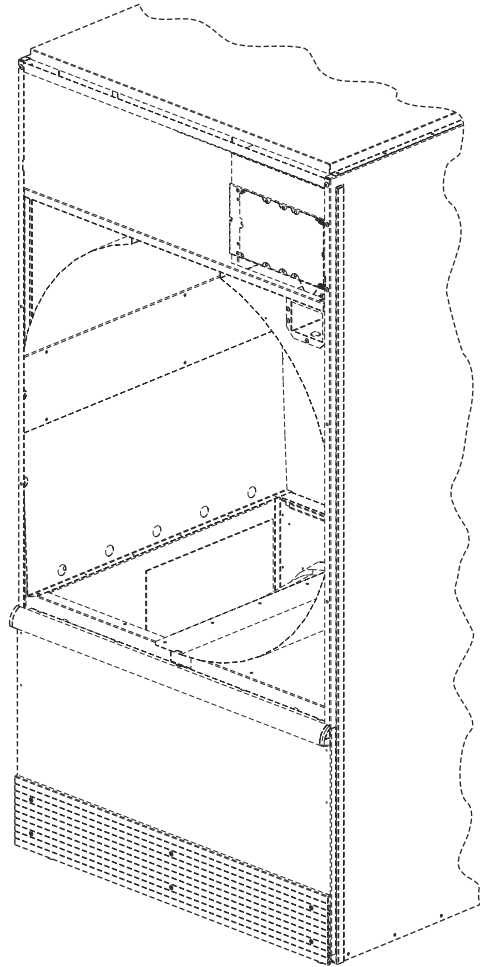
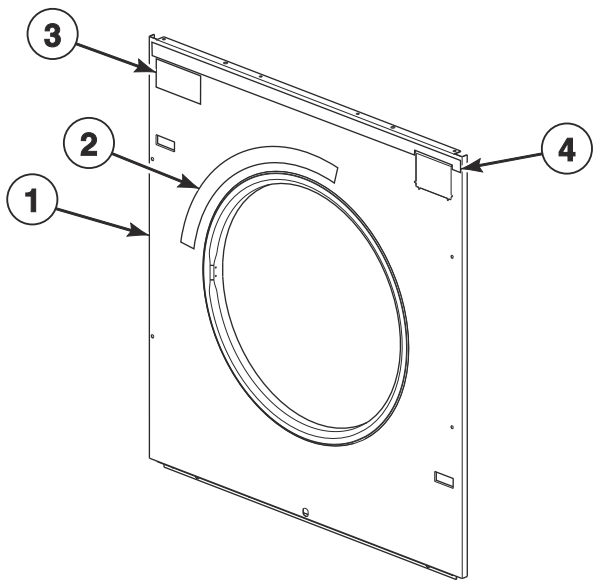
TMB3539P_70591801

Cabinet Panels and Nameplates

REF	PART NO.	DESCRIPTION	COMMENTS
1	44010601	Nameplate	S models
	F8443106	Nameplate	U models
	70541801	Nameplate	B models
	567887	Nameplate	P models
	70410201	Nameplate Overlay	G models; OPL
	70411401	Nameplate Overlay	G models; Coin
	44130301	Nameplate Overlay	K models; OPL
	44144401	Nameplate Overlay	K models; Coin
2	70117401	Nameplate Bezel	S models
3	44040008B	Control Panel	B models
	44040005*	Control Panel	G, K and U models
	44040013	Control Panel	G and K models; Stainless steel
	44000122*P	Control Panel	H, M, N and S models; P models with white front panel
	44000125	Control Panel	H, M and S models; P models with white front panel; Stainless steel
	44040015LG	Control Panel	U models; Light gray
	44040014	Control Panel	U models; Stainless steel
	44040011*	Control Panel	U models
	44000130DG	Control Panel	P models; Dark gray
	44000122*	Control Panel	M and N models
4	M400977	Nut	S models; 6 required

* Add Letter To Designate Color. Q - Bisque W - White

Front Panel Assemblies



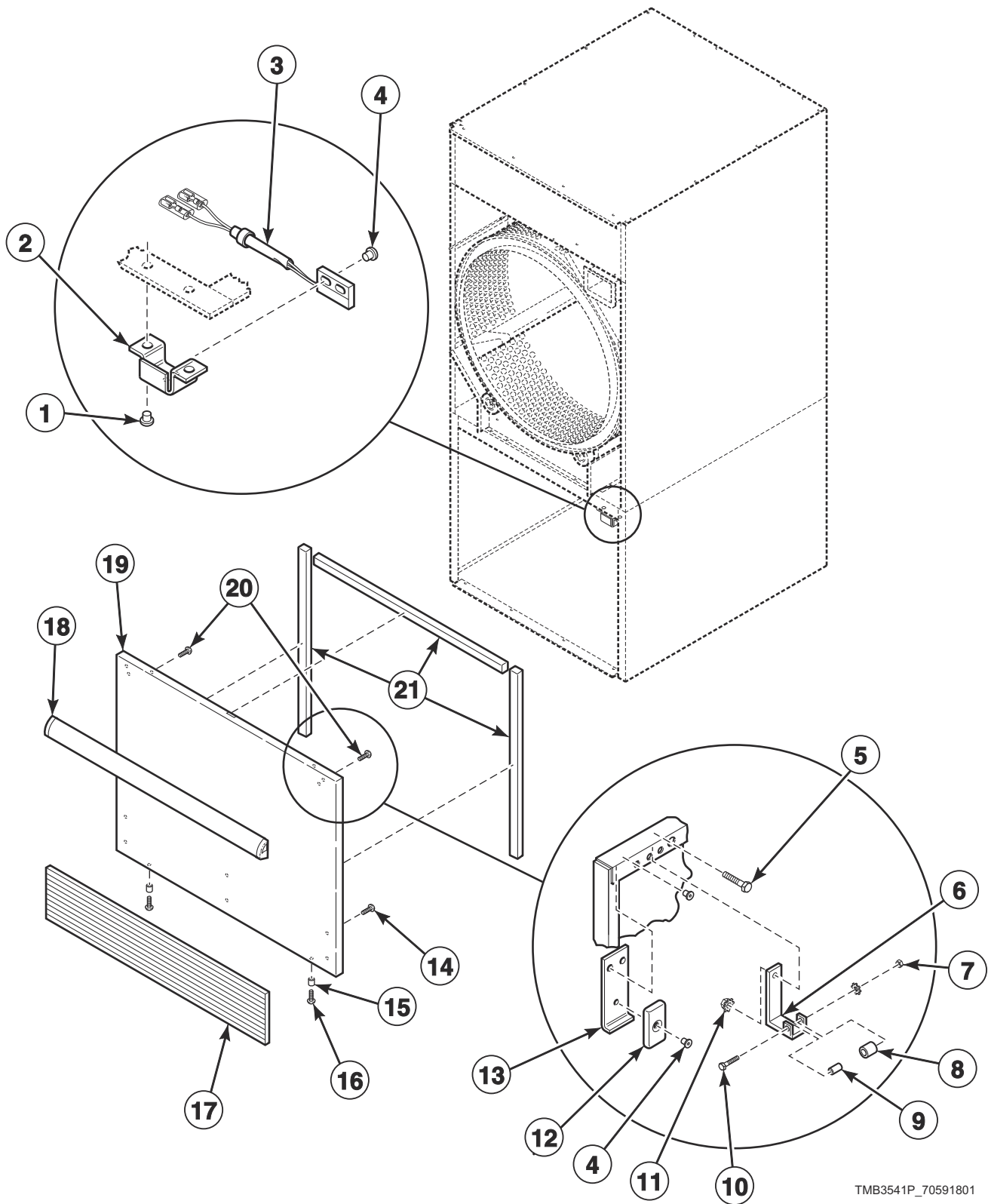
TMB3540P_70591801

Front Panel Assemblies

REF	PART NO.	DESCRIPTION	COMMENTS
1	44052525*	Front Panel	Coin
	44052527	Front Panel	Coin; Stainless steel
	44052526DG	Front Panel	P models; Coin; Dark gray
	44052503*	Front Panel	Card and central pay
	44052522	Front Panel	Card and central pay; Stainless steel
	44052520DG	Front Panel	P models; Card; Dark gray
	44052528*	Front Panel	OPL
	44052529	Front Panel	All models except U models; OPL; Stainless steel
	44052530LG	Front Panel	U models; OPL; Light gray
	44052529	Front Panel	U models; OPL; Stainless steel
	44052530DG	Front Panel	P models; OPL; Dark gray
2	70534401	Warning Label	English
	70534402	Warning Label	French
	70534405	Warning Label	Colombian Spanish
	70534400	Label Kit	Warning; IEC models
3	70537101	Label	G and K models; F.S.S.
	44190901	Label	P models; Safe Tech
	70537001	Label	B, H, M, N, S and U models; C.A.R.E.
4	70399402	Access Panel Trim	G and K models

* Add Letter To Designate Color. Q - Bisque W - White

Lower Cabinet Front Components



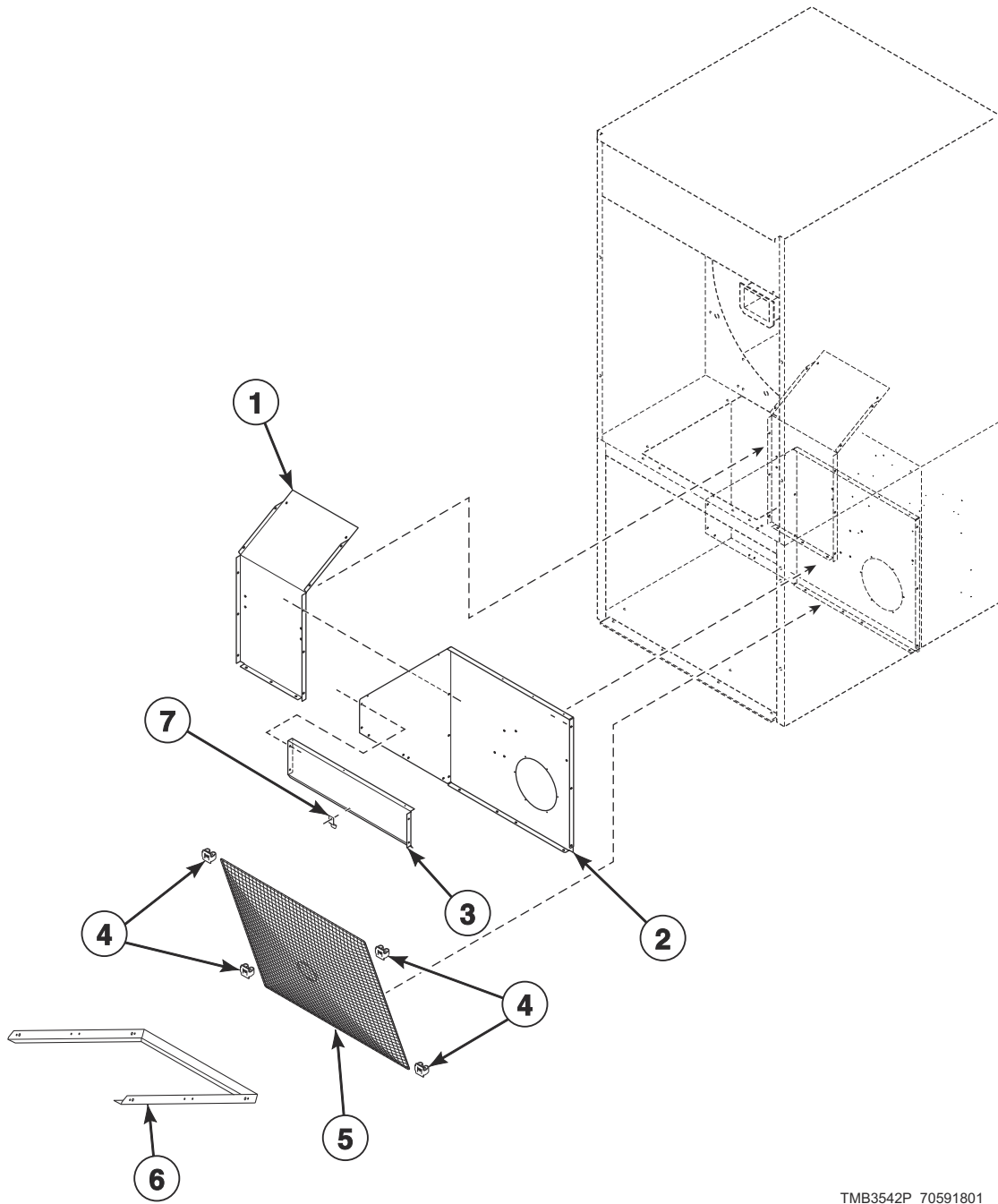
TMB3541P_70591801

Lower Cabinet Front Components

REF	PART NO.	DESCRIPTION	COMMENTS
	70404001	Roller Bracket Assembly	Includes items 6-10
1	70058501	Pop Rivet	
2	44296101	Switch Bracket	
3	F8066804	Reed Switch Assembly	
4	F8245101	Blind Rivet	
5	70132301	Screw	Attaching roller catch
6	70030301	Roller Catch Arm	
7	23951	Nut	
8	70297601	Roller Catch Wheel	
9	70030201	Roller Catch Spacer	
10	70072801	Screw	
11	51236	Nut	Attaching roller catch
12	70343101	Magnet	
13	44290501	Magnet Bracket	
14	70126301	Pop Rivet	For attaching kickplate; Black; 6 required
	70126401	Pop Rivet	For attaching kickplate; Gray; 6 required
15	56079	Panel Locator	
16	39733	Screw	
17	70117619	Kickplate	H and U models; Gray
	70117607	Kickplate	All models except H models; Black
18	70154405	Handle and Caps Assembly	B, M, N, S and U models; P models with white and stainless steel front panel; Black; Includes endcaps
	70407210	Handle Bumper	P models
	70154415	Handle and Caps Assembly	H and U models; Gray; Includes endcaps
	70407202	Handle Bumper	G and K models; Black and blue; Does not include endcaps
19	44293601*	Lint Panel	
	44293604DG	Lint Panel	P models; Dark gray; No kickplate
	44293603LG	Lint Panel	U models; Light gray
	44293602	Lint Panel	B, H, K, M, S and U models; Stainless steel
	44293605	Lint Panel	P and S models; Stainless steel; No kickplate
20	430757	Screw	
21	70289101P	Lint Panel Gasket	Sold per foot

* Add Letter To Designate Color. Q - Bisque W - White

Lint Panel Components

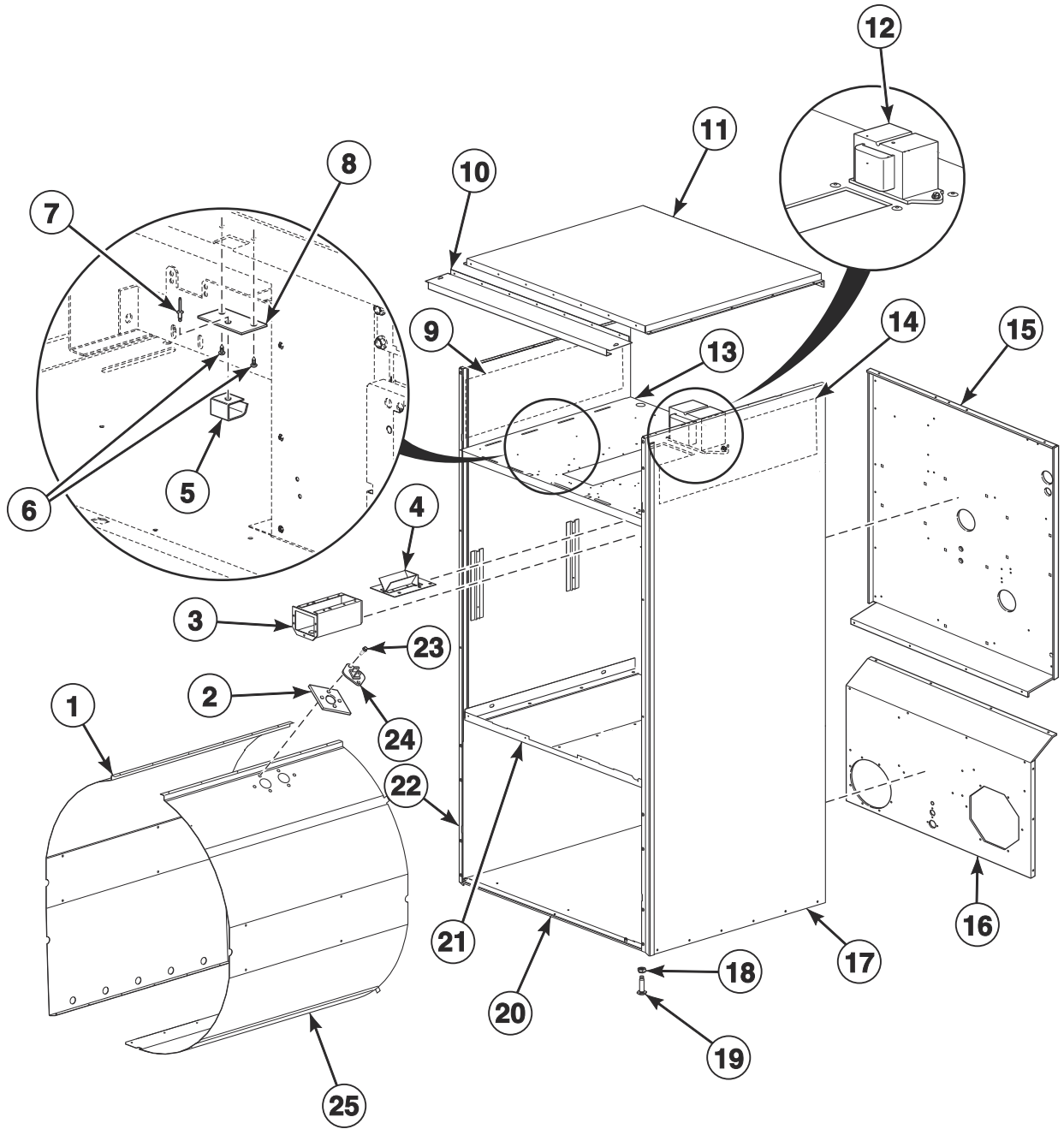


TMB3542P_70591801

Lint Panel Components

REF	PART NO.	DESCRIPTION	COMMENTS
1	44298102	Lint Panel	Left
2	44300901	Lint Panel	Right
3	44298901	Lint Screen Top Rail	
4	70030501	Expansion Clip	4 required
5	44063601	Lint Screen	
6	44325301	Lint Bracket	
7	H96418413	Lint Screen Clip	

Cabinet Components



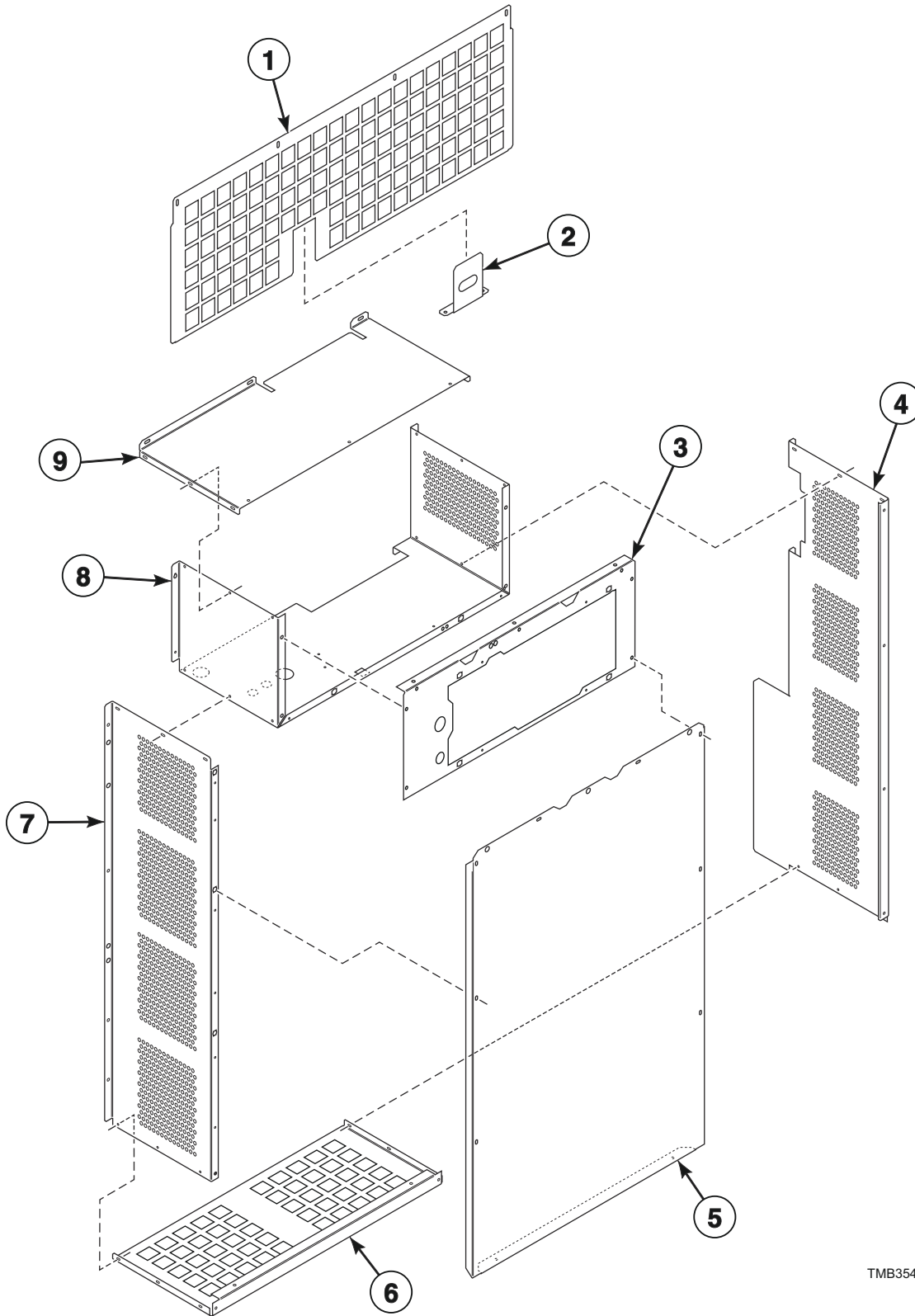
TMB3543P

Cabinet Components

REF	PART NO.	DESCRIPTION	COMMENTS
	298P4P	Spray Paint	White
	122P4P	Porcelain Touch-Up Paint	White
	370P4P	Porcelain Touch-Up Paint	Bisque
	70058501	Pop Rivet	Use with items 17 and 22
	430497	Screw	Use with items 17 and 22
	44334103	Bypass Harness	Coin vault switch
	44334101	Coin Vault Switch Harness	
	44272301	Transformer Harness	120 Volt; Use with item 12
	44272302	Transformer Harness	240 Volt; Use with item 12
1	44304601	Baffle	Left
2	70424401	Thermistor Plate	
3	70529501	Coin Vault Assembly	
	70529502	Coin Vault and Emergency Stop Mount Assembly	Models with emergency stop
	F160673P	Coin Box	Optional equipment; Includes lock and key
4	70296401	Coin Chute Assembly	Wide
5	431318	Control Door Latch	
6	431287	Screw	
7	M400003	Pop Rivet	
8	44003201	Latch Mounting Bracket	
9	44150102	Insulation	
10	44129401	Top Panel Bracket	Gas and electric models
11	44135001P	Top Cover Pan	Gas and electric models
	44139301	Top Cover	Steam models
12	202757	Transformer	120 Volt
	202758	Transformer	240 Volt
13	44304101	Top Pan	
14	44150103	Insulation	
15	44297001	Upper Rear Panel	
16	44300001	Lower Rear Panel	
17	44304401DG	Side Panel	P models; Right; Dark gray
	44304401*	Side Panel	All models except P models; Right
	44304401LG	Side Panel	U models; Right; Light gray
18	21899	Nut	Right
19	70247701	Screw	Leveling leg
20	44304301	Bottom Pan	
21	44304201	Center Pan	
22	44304501DG	Side Panel	P models; Left; Dark gray
	44304501*	Side Panel	All models except P models; Left
	44304501LG	Side Panel	U models; Left; Light gray
23	51780	Screw	
24	44064701	Thermistor	
25	44304702	Baffle	Right
	44304701	Baffle	Right with fire suppression system

* Add Letter To Designate Color. Q - Bisque W - White

Rear Panel and Belt Guard Components

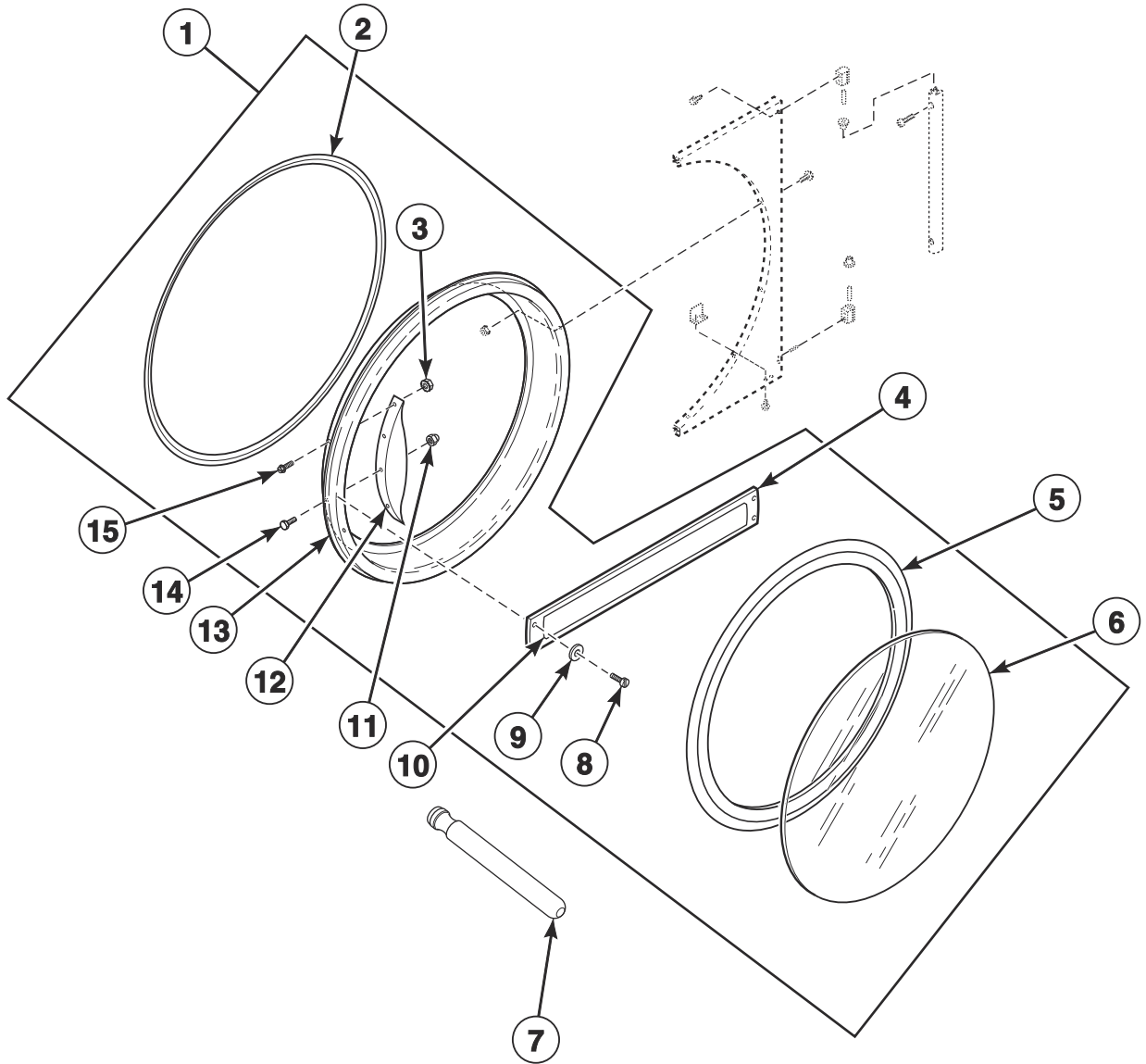


TMB3547P_70591801

Rear Panel and Belt Guard Components

REF	PART NO.	DESCRIPTION	COMMENTS
1	44300301	Stove Grate	Gas models
	44300302	Stove Grate	Steam models
	44305601	Stove Grate	Electric models
2	44327601	Pipe Bracket	Gas models
3	44332201	Belt Guard	Middle
4	44298301	Belt Guard Side Panel	Left
5	44269201	Guard Panel	Rear
	44269202	Guard Panel	Rear with fire suppression system
6	44298401	Belt Guard	Bottom
7	44301101	Belt Guard Side Panel	Right
8	44332301	Guard Panel	Middle
9	44314301	Belt Guard	Top

Door Components

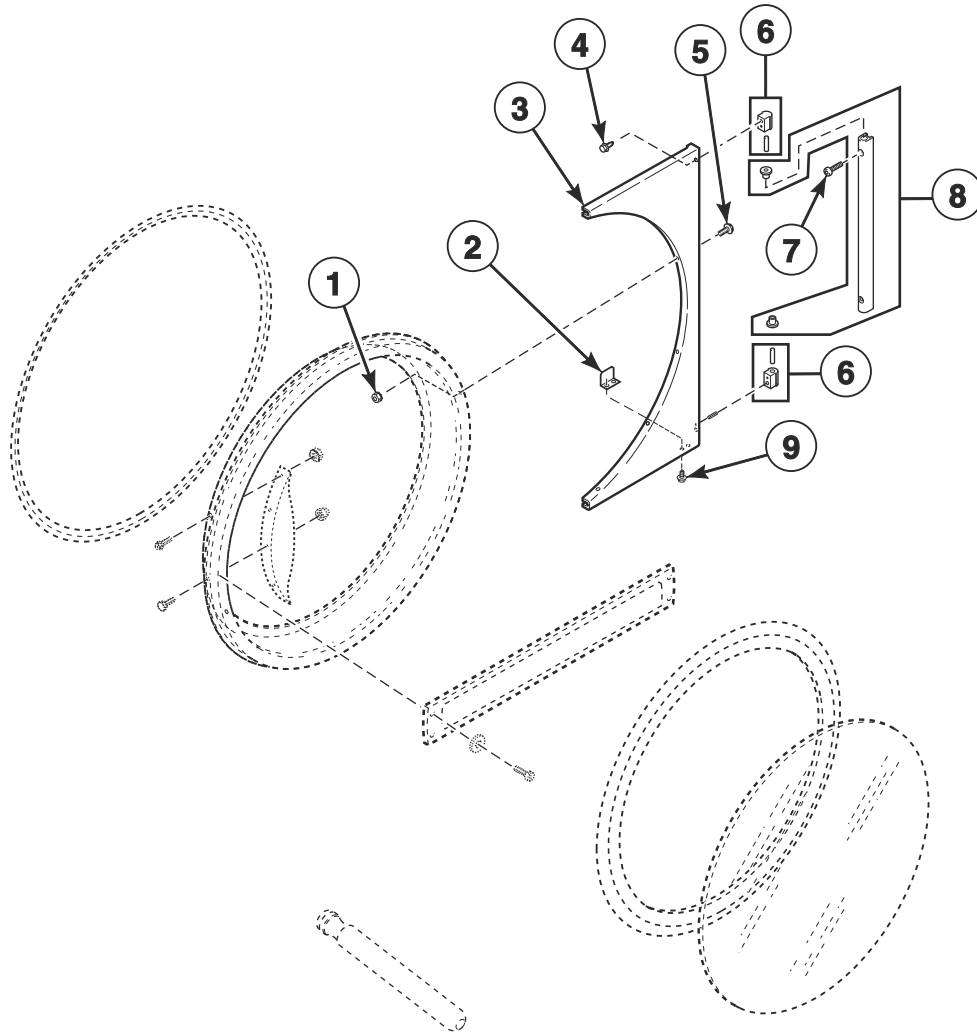


TMB3091P_70591801

Door Components

REF	PART NO.	DESCRIPTION	COMMENTS
1	44058105	Door Assembly	H models; Stainless steel
	44058107	Door Assembly	H models; Stainless steel with green trim
	44028906	Door Assembly	M and S models; Stainless steel
	44266703	Door Assembly	U models; Stainless steel
	44058106	Door Assembly	H models; Chrome
	44058108	Door Assembly	H models; Chrome with green trim
	44028908	Door Assembly	M and S models; Chrome
	44266704	Door Assembly	U models; Chrome
	44028907	Door Assembly	B and N models
	44292302LG	Door Assembly	P models; Light gray
	44292302B	Door Assembly	P models; Use with stainless steel front panel; Black
70407402	Door Assembly	G and K models	
2	70296802	Door Ring Gasket	
3	44088001	Nut	B, H, M, N and S models; 4 required
4	70399501B	Handle Bar	G and K models
5	70211902P	Door Seal Kit	Use Loctite 414 for seal
6	44008402P	Door Glass	H models
	44008403	Door Glass	H models; Green trim
	44008404	Door Glass	B models; Orange trim
	44008401P	Door Glass	All other models
7	M4221P4	Door Glass Installation Tool	
8	70412601	Pop Rivet	G and K models; 4 required
9	70409301	Washer	G and K models; 2 required
10	70414001	Label	K models; Coin
11	M414215	Nut	
12	70521102	Door Handle	H models
	44007901	Door Handle	B, M, N and S models
	44263801	Door Handle	U models; Use 901620 Screw, 800465 Washer, 803871 Screw and 44088001 Nut to attach
13	44326001	Door Ring Assembly	H, M and S models; Stainless steel
	44326005	Door Ring Assembly	H, M and S models; Chrome
	44326006	Door Ring Assembly	U models; Chrome
	44326002	Door Ring Assembly	U models
	44326007LG	Door Ring and Handle Assembly	P models; Light gray
	44326007B	Door Ring and Handle Assembly	P models; Use with stainless steel and white front panel; Black
	44326004B	Door Ring Assembly	B and N models
44326003B	Door Ring Assembly	G and K models	
14	M400661	Screw	Door strike
15	70442101	Screw	B, H, M, N and S models; 4 required

Hinge Components



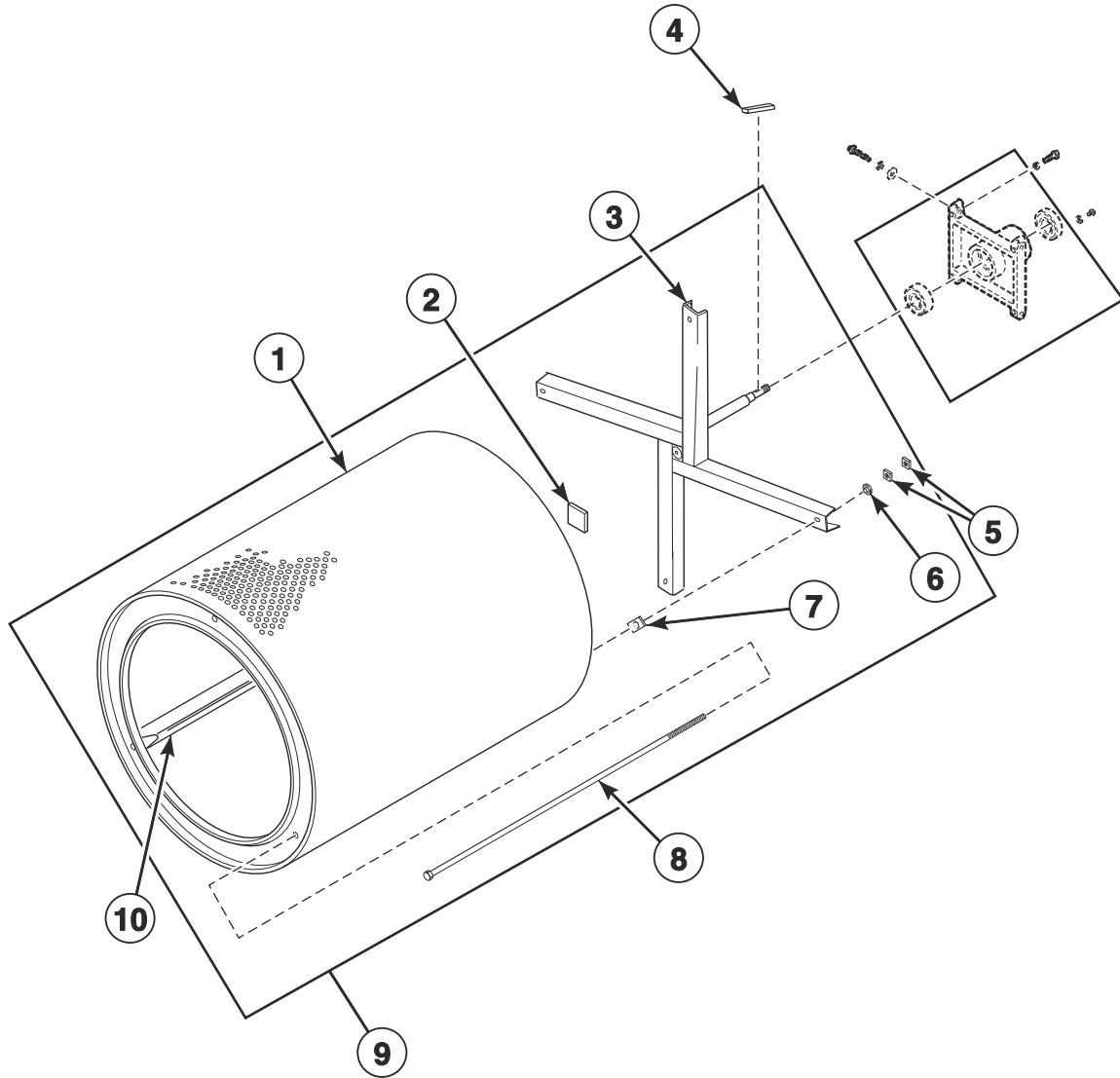
TMB3091PA_70591801

Hinge Components

REF	PART NO.	DESCRIPTION	COMMENTS
1	44088001	Nut	6 required
2	70215001P	Door Switch Actuator Kit	
3	44075208B	Door Hinge Assembly	Black; B, G, K and N models; P models with white and stainless steel front panels
	44075203*	Door Hinge Assembly	H, M, N, S and U models
	44075211	Door Hinge Assembly	H, M, S and U models; Stainless steel
	44075208LG	Door Hinge Assembly	P and U models; Light gray
4	70442101	Screw	3 required
5	M400044	Screw	6 required
6	M4773P3	Cam and Hinge Kit	Black; B, G, K and N models; P models with white and stainless steel front panels
	M4772P3	Cam and Hinge Kit	H, M, P, S and U models
7	70409801	Screw	Black; B, G, K and N models; P models with white and stainless steel front panels; 2 required
	70033502	Screw	H, M, P, S and U models; 2 required
8	44035002	Door Hinge Lug Assembly	Black; B, G, K and N models; P models with white and stainless steel front panels
	44035001	Door Hinge Lug Assembly	H, M, P, S and U models
9	70058501	Pop Rivet	2 required

* Add Letter To Designate Color. Q - Bisque W - White

Cylinder and Trunnion Components

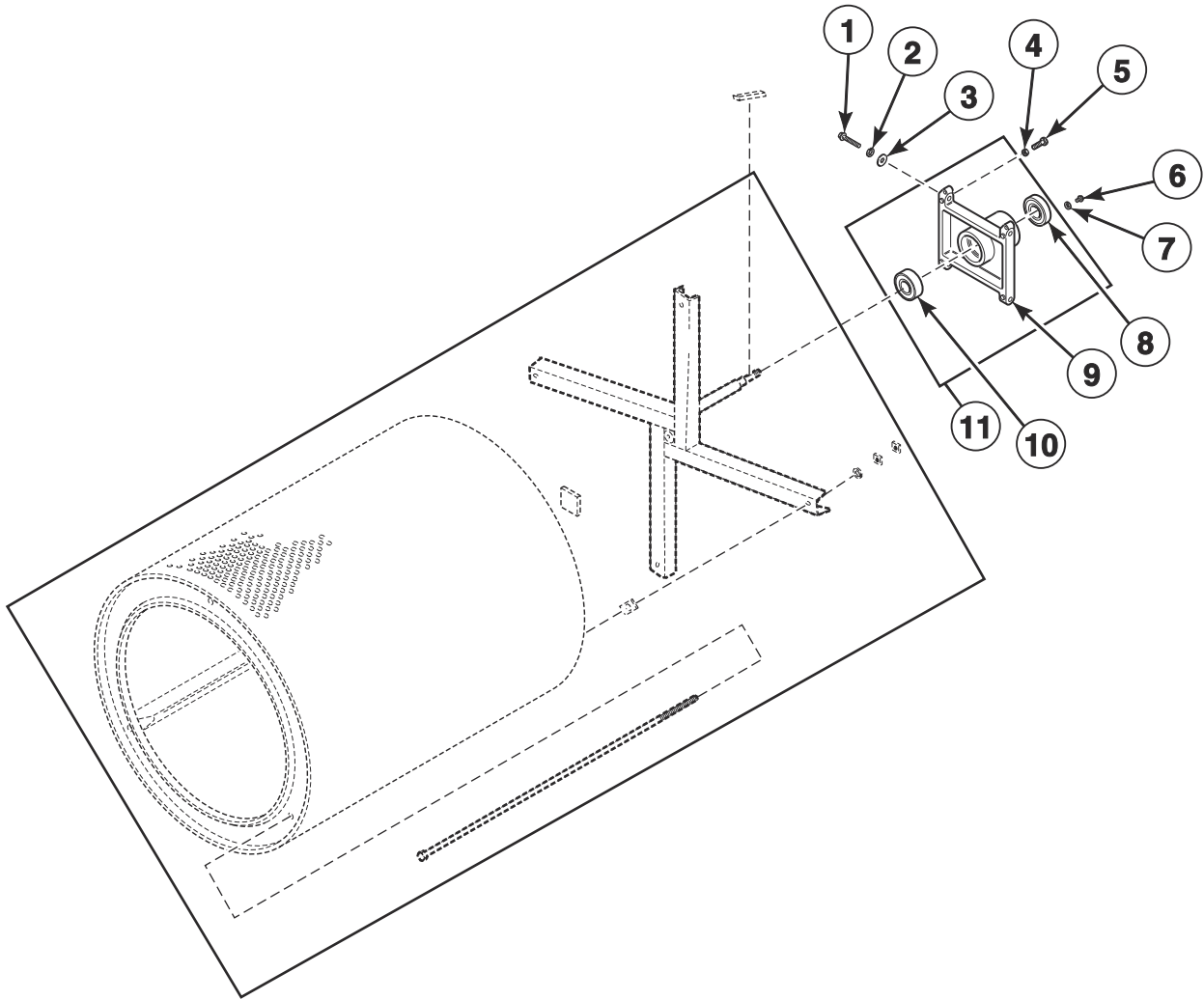


TMB2123P_70591801

Cylinder and Trunnion Components

REF	PART NO.	DESCRIPTION	COMMENTS
1	44057001P	Cylinder Kit	Galvanized; B, H, M, N, P, S and U models; Non-moisture sensing
	44196301	Cylinder Assembly	Galvanized; B, H, M, N, P, S and U models; Moisture sensing
	44057101P	Cylinder Kit	Stainless steel; B, H, M, N, P, S and U models; Non-moisture sensing
	44196302	Cylinder Assembly	Stainless steel; B, H, M, N, P, S and U models; Moisture sensing
	44130802	Cylinder Assembly	G and K models; Non-moisture sensing
	44196303	Cylinder Assembly	G and K models; Moisture sensing
2	M402144	Felt Pad	
3	44208001	Trunnion Assembly	Spider; Non-moisture sensing
	44207901	Trunnion Assembly	Moisture sensing
4	M400008	Key	Half moon
5	M404993	Nut	
6	M400015	Washer	4 required
7	M401402	Spacer	Adjustment between cylinder and trunnion
8	M401411	Rib Rod	
9	44195601	Cylinder and Trunnion Assembly	Galvanized; B, H, M, N, P, S and U models; Non-moisture sensing
	44195602	Cylinder and Trunnion Assembly	Stainless steel; B, H, M, N, P, S and U models; Non-moisture sensing
	44195605P	Cylinder and Trunnion Assembly	Galvanized; B, H, M, N, P, S and U models; Moisture sensing
	44195606	Cylinder and Trunnion Assembly	Stainless steel; B, H, M, N, P, S and U models; Moisture sensing
	44195603	Cylinder and Trunnion Assembly	G and K models; Non-moisture sensing
	44195607	Cylinder and Trunnion Assembly	G and K models; Moisture sensing
10	44191201	Cylinder Rib Assembly	Moisture sensing

Bearing Components

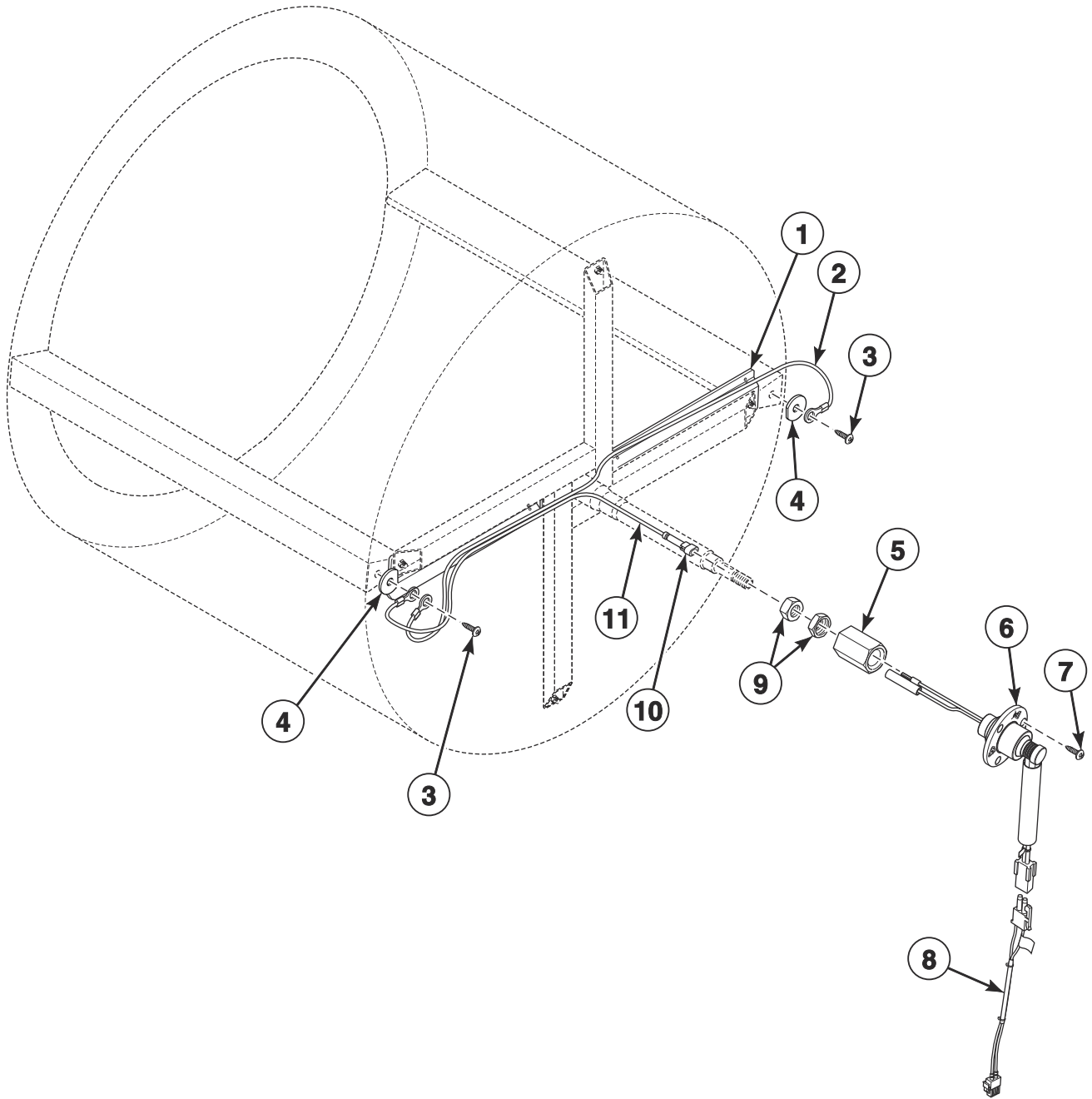


TMB2123PA_70591801

Bearing Components

REF	PART NO.	DESCRIPTION	COMMENTS
	M4640P3	Trunnion and Bearing Assembly	Non-moisture sensing
	44336301	Trunnion and Bearing Assembly	Moisture sensing
	M4644P3	Housing and Trunnion Assembly	Includes bearing; Non-moisture sensing
	44336302	Housing and Trunnion Assembly	Moisture sensing
1	M400063	Screw	4 required
2	M400015	Washer	4 required
3	70261401	Washer	4 required
4	M400026	Nut	4 required
5	M400650	Bolt	2 required
6	70187201	Screw	4 required
7	20103	Washer	4 required
8	M413923P	Bearing	
9	M413826	Trunnion Housing	
10	44041901P	Ball Bearing	
11	M413832	Trunnion Housing Assembly	Includes bearing

Moisture Sensing Components

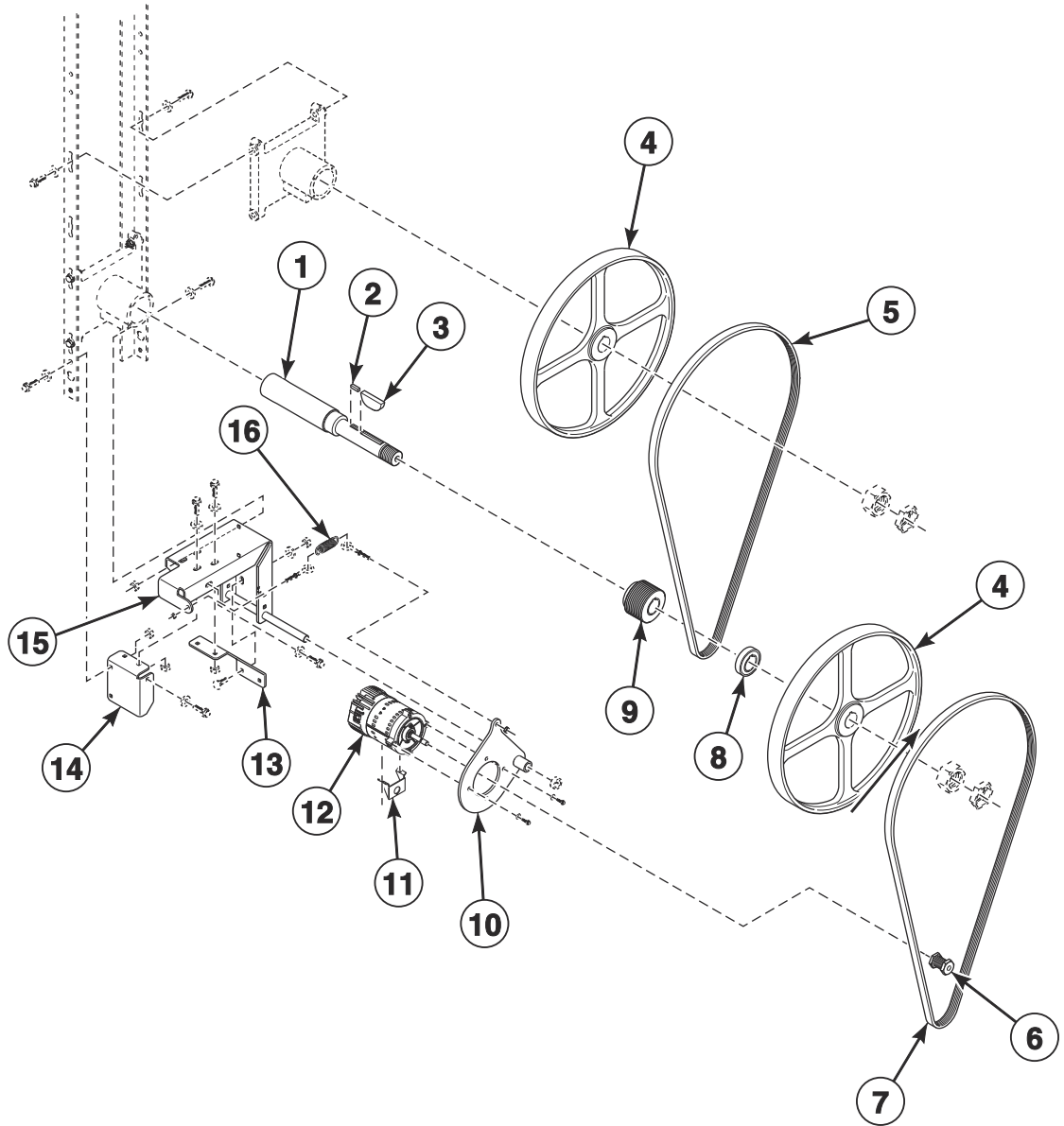


TMB3544P_70591801

Moisture Sensing Components

REF	PART NO.	DESCRIPTION	COMMENTS
	44344700	Moisture Sensing Harness Kit	
	55881	Harness Strap	Use with item 1
1	44239101	Wireway Channel	
2	44208601	Rib Wire	
3	44338901	Screw	
4	44238902	Washer	
5	44224401	Slip Ring Holder	
6	44222701	Slip Ring Assembly	
7	70442101	Screw	
8	44333902	Moisture Sensor Harness	Goes from item 6 to main harness
9	M400035	Nut	
10	26302	1 Circuit Plug	
11	44208701	Shaft Wire	

Drive Motor Components

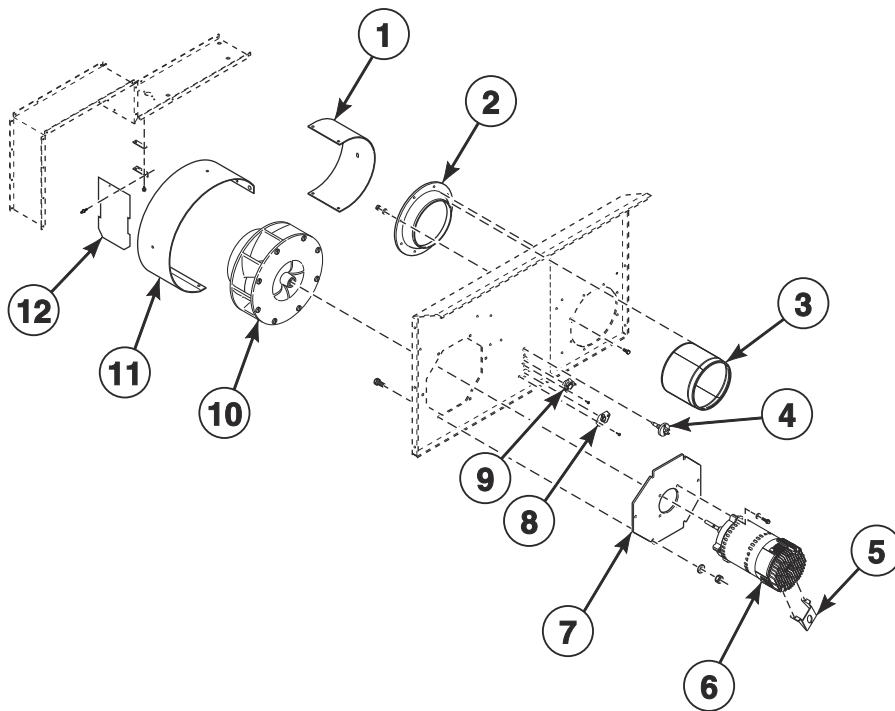


TMB3557P_70591801

Drive Motor Components

REF	PART NO.	DESCRIPTION	COMMENTS
	44333202	Nut	Use with motor pulley
	44335304	Inverter Motor Harness	Cylinder
	44335305	Inverter Motor Harness	Fan
1	44303102	Idler Shaft	
2	44309301	Key	
3	M400008	Key	
4	44289502	Pulley	
5	44333301	V-Belt	Upper
6	70559102	Motor Pulley	
7	44309402	V-Belt	Lower
8	44306801	Idler Spacer	
9	44270201	Micro V Pulley	
10	44311501	Motor Pivot Plate Weldment	
11	44317901	Motor Conduit Bracket	
12	44259501P	Drive Motor	.50 HP; 120, 230 Volt/1 Phase
	44259601	Drive Motor	.50 HP; 460 Volt/3 Phase
13	44325701	Motor Pivot Gusset Bracket	
14	44325801	Motor Pivot Support Bracket	
15	44327001	Motor Pivot Bracket Weldment	
16	F8440701	Extension Spring	

Blower and Exhaust Components

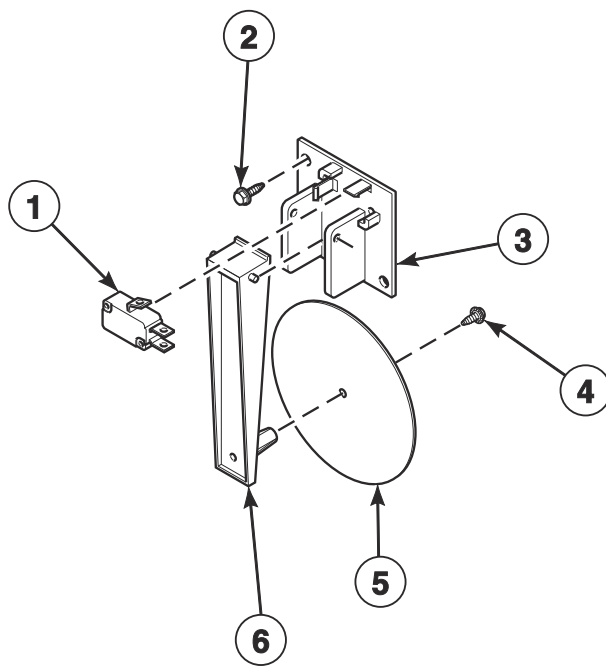


TMB3492P_70591801

Blower and Exhaust Components

REF	PART NO.	DESCRIPTION	COMMENTS
1	44308401	Air Exhaust Deflector	
2	70303101	Blower Inlet Cone	
3	44327901	Exhaust Pipe Assembly	
4	M414704	Thermistor	
5	44317901	Motor Conduit Bracket	
6	70478701	Fan Motor	.50 HP; 120, 230 Volt/1 Phase
	70484901	Fan Motor	.50 HP; 460 Volt/3 Phase
7	70380801	Blower Motor Mounting Plate	
8	70530905	Limit Thermostat	
9	44328003	Limit Thermostat	
10	70302201P	Blower Assembly	
11	44303801	Blower Housing Scroll	
12	44280301	Damper Assembly	

Airflow Switch Assembly

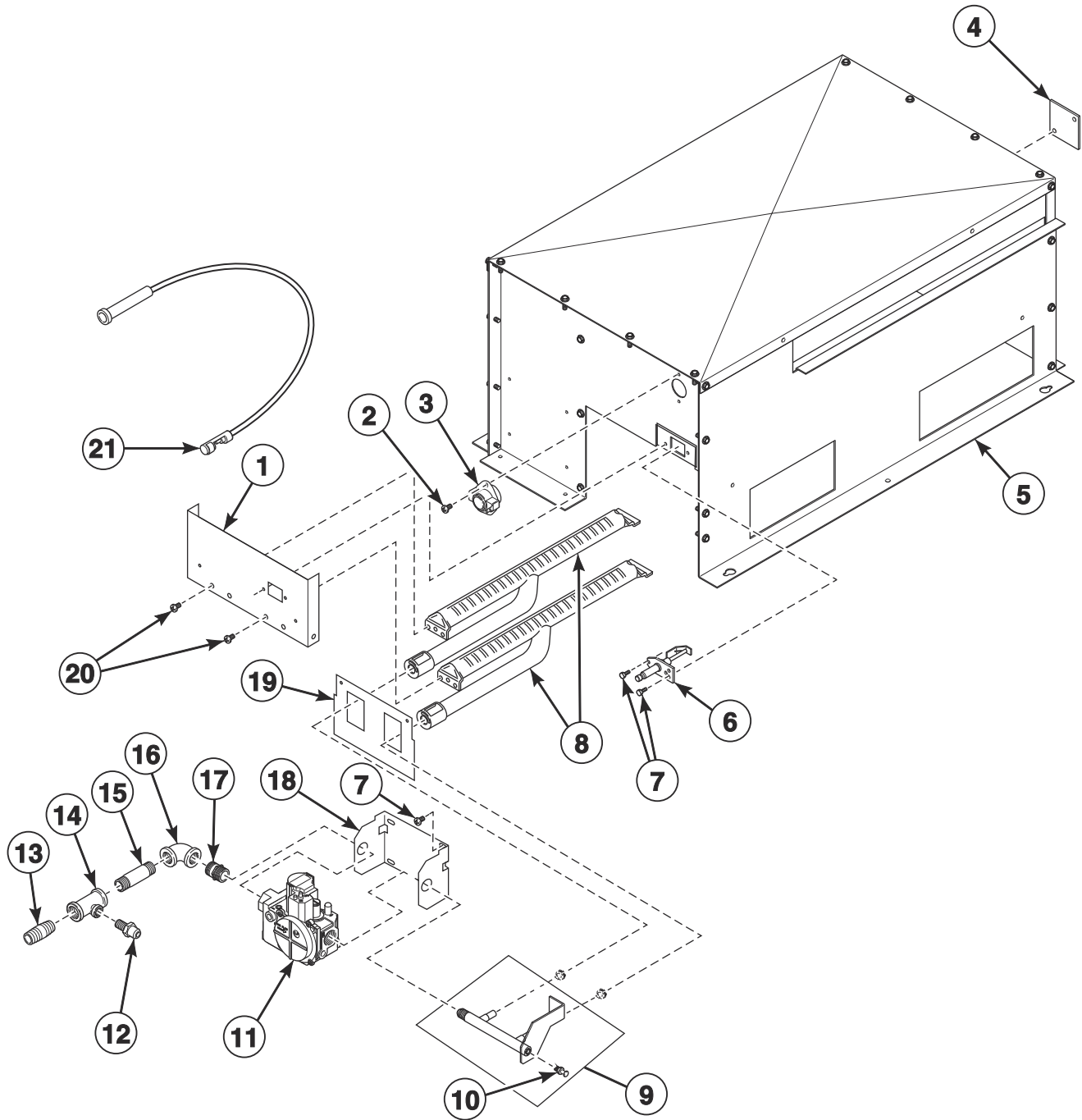


TMB3586P_70591801

Airflow Switch Assembly

REF	PART NO.	DESCRIPTION	COMMENTS
	70429602	Airflow Switch Assembly	Includes items 1 and 3-6
1	70411901	Switch	
2	430497	Screw	6 required
3	70319602	Airflow Switch and Arm Bracket	
4	430757	Screw	
5	70319202	Airflow Switch Vane	
6	70319401	Airflow Switch Arm	

Gas Heater Components

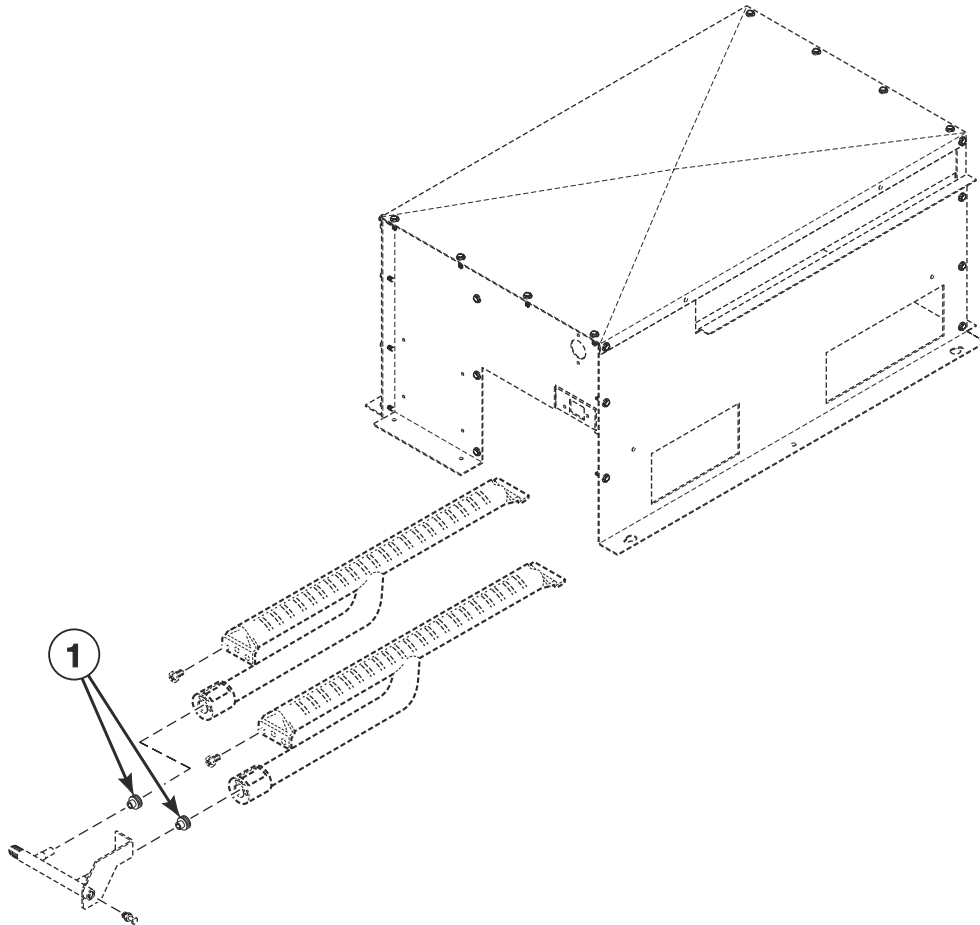


TMB3545P_70591801

Gas Heater Components

REF	PART NO.	DESCRIPTION	COMMENTS
	70539501	Notice Label	Australian models; Natural Gas (N.G.)
	70544901	Notice Label	Australian models; Liquid Petroleum Gas (L.P.)
	D503887	Label	Australian models; Gas
	44178801	Adapter	CE and Australian models; Used to convert from standard to metric thread
	44328801	L.P. Conversion Kit	CSA and AGA models; 0-2000 feet
	44330301	L.P. Conversion Kit	IEC models; 0-2000 feet
	70564304	Stove Limit Harness	
	44273502	Gas Valve Harness	Double; CE models
	44273501	Gas Valve Harness	Single
	44355101P	Direct Air Kit	
	70500401	Heat Exchanger	
1	44110201	Burner Support	
2	M402797	Screw	2 required
3	44328007	Limit Thermostat	
4	70159601	Igniter Cover	
5	44136004	Gas Stove Assembly	
6	44328701P	Spark Electrode	
7	430497	Screw	2 required
8	M410541P	Burner Assembly	2 required
9	44263101	Spud Holder Weldment	
10	70167601	Plug	
11	44154501P	Gas Valve	CSA models; N.G.
	44154502P	Gas Valve	CSA models; L.P.
	44298501	Gas Valve	Australian models; N.G.
	44298502	Gas Valve	Australian models; L.P.
	44178301P	Gas Valve	CE models; N.G.
	44178302P	Gas Valve	CE models; L.P.
	44154505	Gas Valve	All other models; N.G.
	44154506	Gas Valve	All other models; L.P.
12	44231601	Pressure Fitting	CE and Australian models
13	70435601	Pipe Nipple	CE and Australian models
14	44231901	Pipe Tee	CE and Australian models
15	70263801	Pipe Nipple	CE and Australian models
	70210201	Pipe Nipple	All other models
16	70079601	Elbow	
17	431486	Pipe Nipple	
18	44175703	Gas Valve Bracket	
19	44136101	Rear Access Plate	
20	70240301	Screw	4 required
21	44239705	High Voltage Suppression Cable	

Burner Orifices

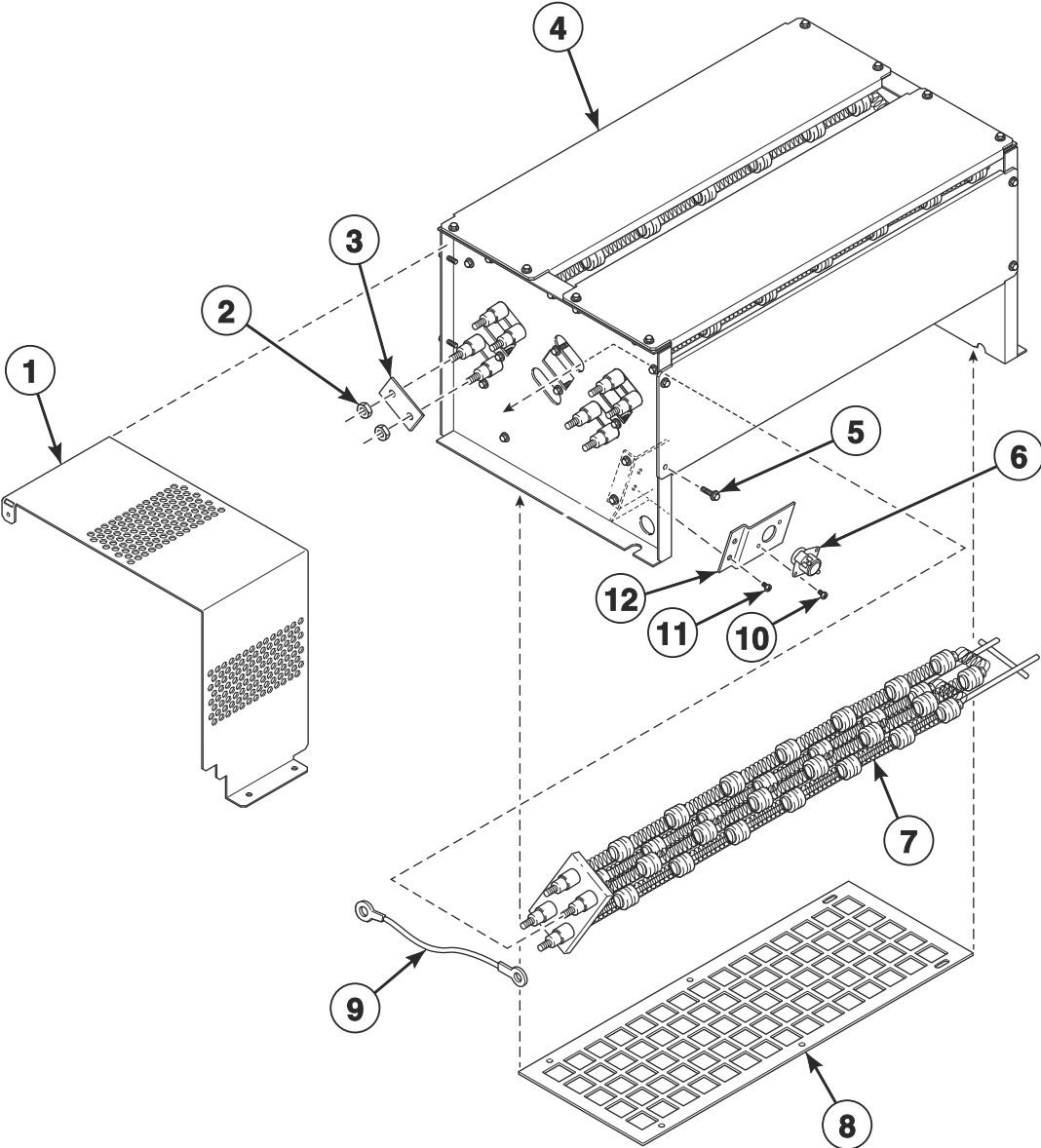


TMB3546P_70591801

Burner Orifices

REF	PART NO.	DESCRIPTION	COMMENTS
1	M402980	Burner Orifice	Natural Gas (N.G.) models; Drill no. 24 (3.86 mm); 0-2,000 feet
	M401014	Burner Orifice	N.G. models; Drill no. 28 (3.66 mm); 2,001-4,000 feet
	M400997	Burner Orifice	N.G. models; Drill no. 29 (3.57 mm); 4,001-6,000 feet
	44253801	Burner Orifice	N.G. models; 3.3 mm; 6,001-10,000 feet
	70070905	Burner Orifice	Models with 2nd digit A, G, H, J, K, L and T; Liquid Petroleum Gas (L.P.); 2.30 mm; 0-2,000 feet
	M401011	Burner Orifice	Models with 2nd digit A, G, H, J, K, L and T; L.P.; Drill no. 44 (2.18 mm); 2,001-4,000 feet
	M401027	Burner Orifice	Models with 2nd digit A, G, H, J, K, L and T; L.P.; Drill no. 45 (2.08 mm); 4,001-6,000 feet
	M401003	Burner Orifice	Models with 2nd digit A, G, H, J, K, L and T; L.P.; Drill no. 46 (2.06 mm); 6,001-8,000 feet
	M401001	Burner Orifice	Models with 2nd digit A, G, H, J, K, L and T; L.P.; Drill no. 48 (1.93 mm); 8,001-10,000 feet
	M401001	Burner Orifice	CE models; L.P.; Drill no. 48 (1.93 mm); 0-2,000 feet
	M401018	Burner Orifice	CE models; L.P.; Drill no. 49 (1.85 mm); 2,001-4,000 feet
	M401016	Burner Orifice	CE models; L.P.; Drill no. 50 (1.78 mm); 4,001-6,000 feet
	M401019	Burner Orifice	CE models; L.P.; Drill no. 51 (1.70 mm); 6,001-8,000 feet
	M401025	Burner Orifice	CE models; L.P.; Drill no. 52 (1.61 mm); 8,001-10,000 feet
	M401027	Burner Orifice	J market models; L.P.; Drill no. 45 (2.08 mm); 0-2,000 feet

Electric Heater Components

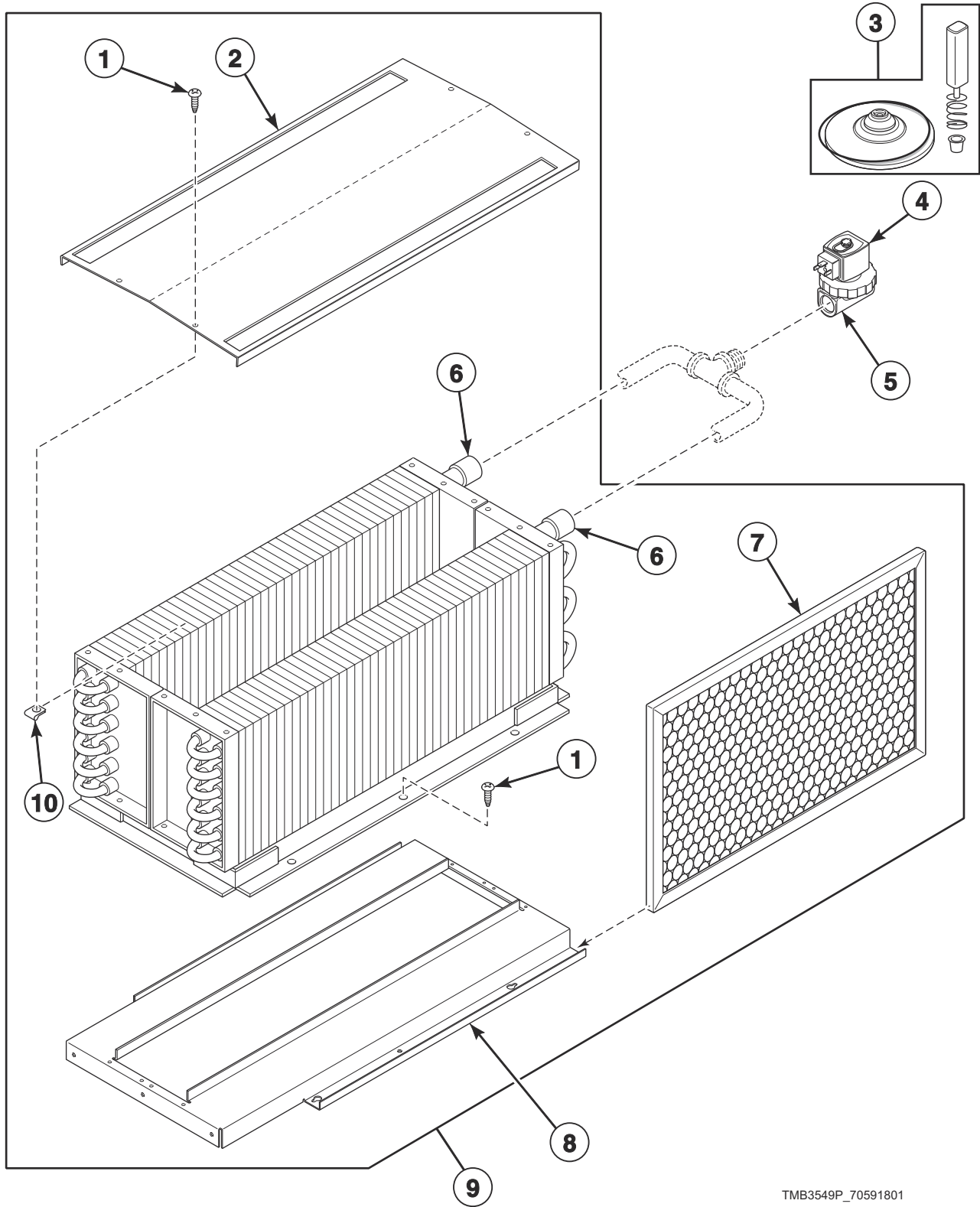


TMB3587P_70591801

Electric Heater Components

REF	PART NO.	DESCRIPTION	COMMENTS
	44355101P	Direct Air Kit	
	70500401	Heat Exchanger	
	70564304	Stove Limit Harness	
	44281706	Harness	200-240 Volt; Contactor to element
	44281707	Harness	Contacto element
1	44327302	Electric Wrap	
2	70054	Nut	
3	M400869	Jumper Strip	3 required for high voltage; 6 required for low voltage
4	44252501	Electric Stove Assembly	
5	70240301	Screw	
6	44328006	Limit Thermostat	
7	M410939P	Heater Element	3 required; 10 kW; 240 Volt heater element for 230-240, 400-415 and 480 Volt/3 Phase models
	M410940P	Heater Element	3 required; 10 kW; 208 Volt heater element for 200-208 Volt/3 Phase models
	M410941P	Heater Element	3 required; 10 kW 220 Volt heater element for 380 and 440 Volt/3 Phase models
	M412955P	Heater Element	3 required; 7 kW; 240 Volt heater element for 230-240 Volt/1 Phase models
8	44308801	Heating Element Screen	
9	44281708	Jumper Harness	3 inch
	44281709	Jumper Harness	9 inch
10	33562	Screw	
11	430497	Screw	
12	44226101	Limit Offset Bracket	

Steam Heater and Valve

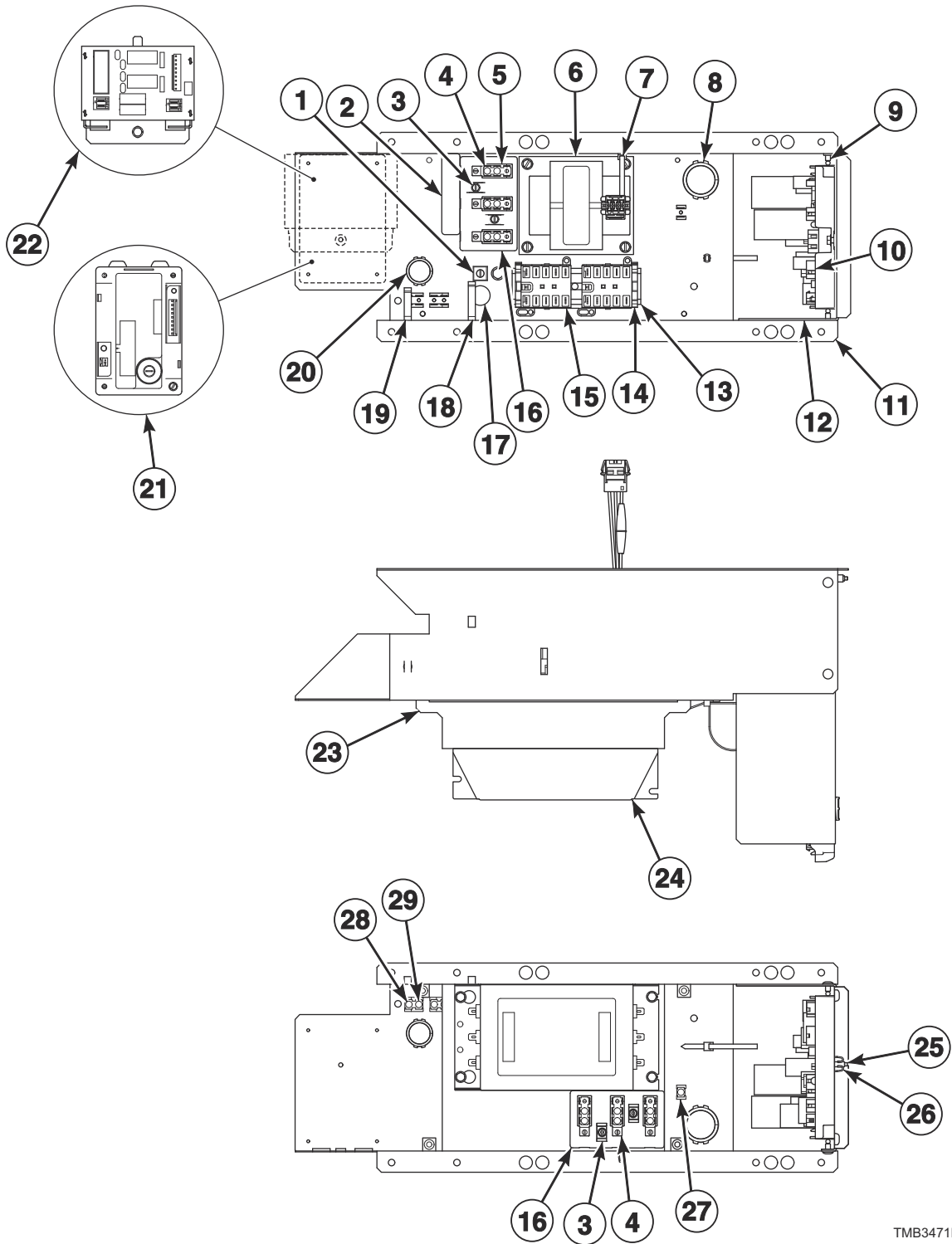


TMB3549P_70591801

Steam Heater and Valve

REF	PART NO.	DESCRIPTION	COMMENTS
	70564302	Stove Limit Harness	
	F8520703	Steam Valve Harness	
	44314701	Steam Adaptor Kit	IEC models
	44304801	Strain Relief	
	F8382301	DIN Valve Adapter Kit	Use with item 5
1	23008	Screw	4 required
2	M400828	Low Pressure Steam Cover	
3	F8379502	Valve Rebuild Kit	
4	F8514701	Coil	120 Volt
	F8514601P	Coil	240 Volt
5	F8322904P	Steam Valve	120 Volt
	F8322906P	Valve	240 Volt
6	M400637P	Steam Coil	2 required
7	44172001	Filter	Aluminum; 2 required
	44104201	Air Filter	Fiberglass; 2 required
8	44007501	Steam Stand Box	
9	44020402	Steam Heater Assembly	CRN models
	44020401P	Steam Heater Assembly	All other models
10	36020	Nut	4 required

Control Tray

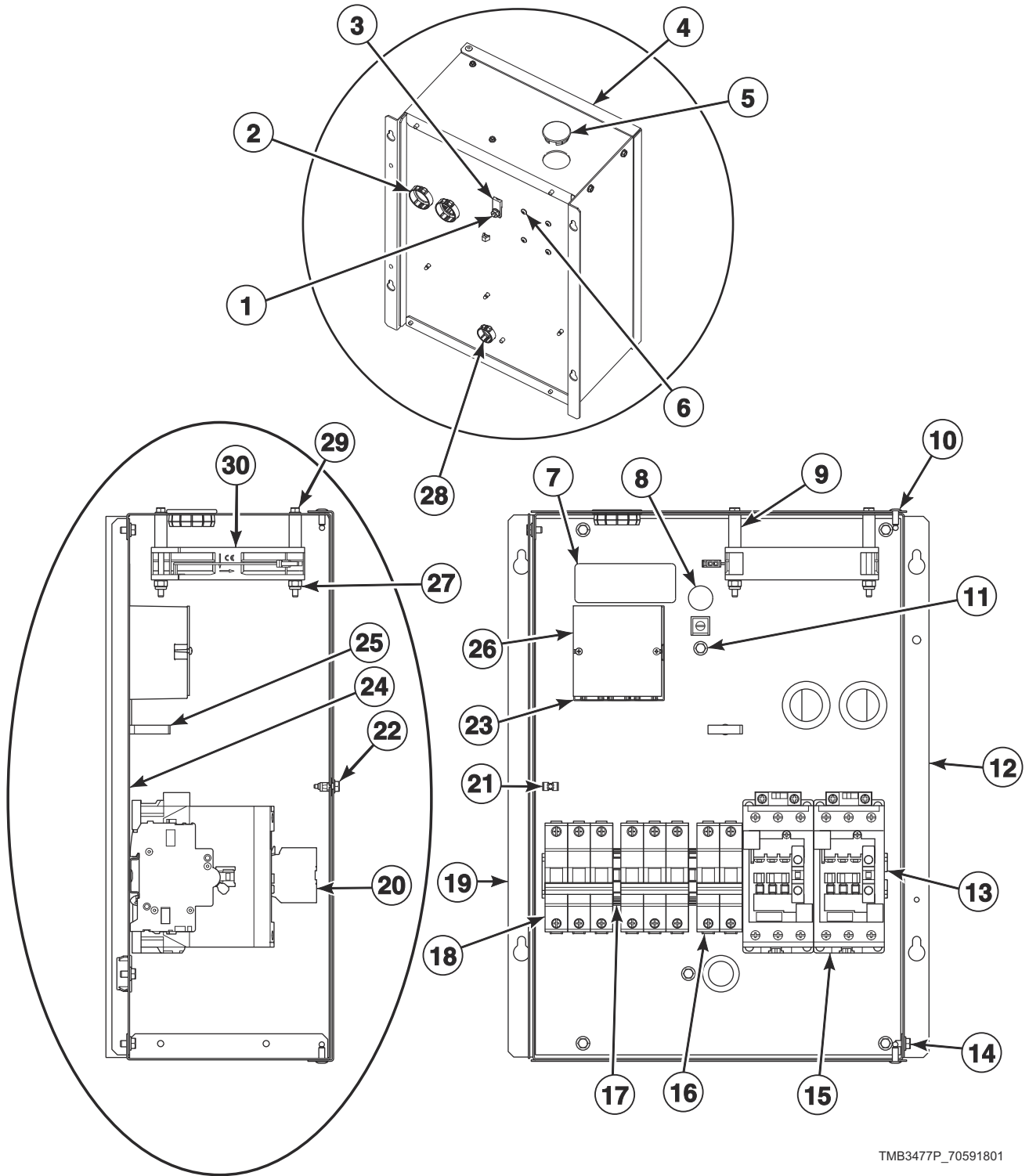


TMB3471P_70591801

Control Tray

REF	PART NO.	DESCRIPTION	COMMENTS
	685837	Screw	Use with item 1
	44088001	Nut	Use with item 1
	70559301	Conversion Kit	X to B voltage
1	M411283	Ground Lug Connector	
2	44286803	Label	L1, L2, L3
	44286801	Label	L1, N
	44286802	Wire Label	L1 L2, L1 N
	44286804	Wire Label	L1 L2, L1 N, L1 L2 L3
3	51783	Screw	
4	430642	Terminal Block	
5	70333001	Terminal Block Shield	
6	F8491101	Transformer	380-480 Volt
7	70335601	Cable Tie	
8	70346501	Bushing	
9	70058501	Pop Rivet	
10	70479201	I/O Control Assembly	
11	70492401	Control Tray	
12	70494901	Control Board Control Tray	
13	M412690	DIN Rail	
14	F8449801	End Stop	
15	70482601	Contactors	240 Volt or less: 1 required; 380 Volt or higher: 2 required
16	M413862	Insulator	
17	D516100	Label	
18	F8449501	Wire Clip	
19	F8449502	Wire Clip	
20	70178701	Snap Bushing	
21	70482002	Ignition Control	IEC gas models
	70482001	Ignition Control	CSA gas models
22	70501801	Steam Control Assembly	Steam models
23	70533101	Filter Bracket	
24	F8591601	EMI Filter	IEC models; 100-200 and 200-240 Volt/1 Phase
	F8637501	EMI Filter	IEC models; 380-480 Volt
25	F8206901	Screw	
26	70030501	Expansion Clip	
27	00621SG	Male Tab Terminal	
28	M400003	Pop Rivet	
29	00622SG	Terminal	

Accessory Box - Electric 200-240 Volt Models

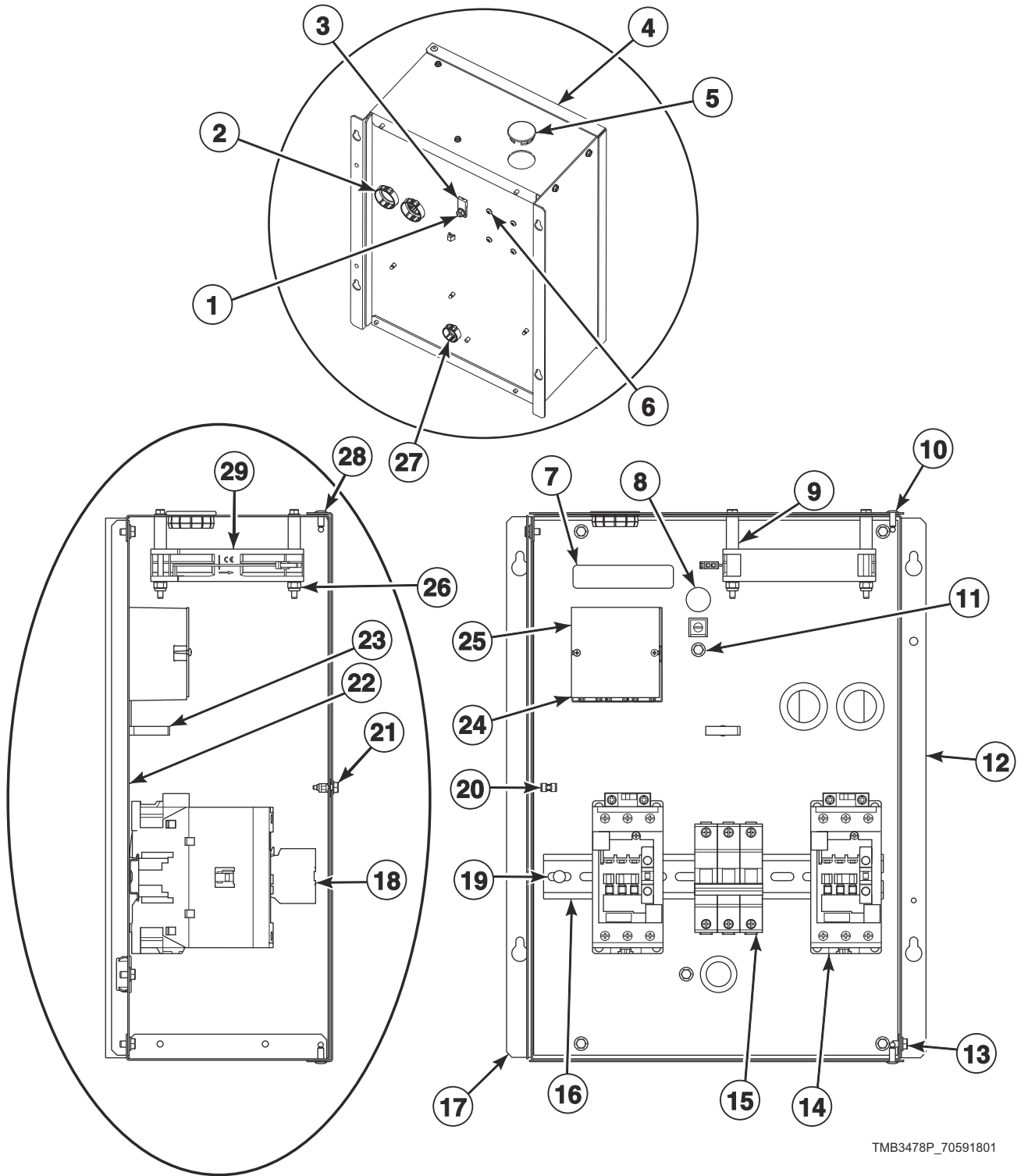


TMB3477P_70591801

Accessory Box - Electric 200-240 Volt Models

REF	PART NO.	DESCRIPTION	COMMENTS
	44309003	Harness	CSA models; Power distribution block to control circuit breaker
	44309013	Harness	IEC models; Power distribution block to control circuit breaker
	44281707	Harness	Contactator to element
	44281706	Harness	Contactator to element
	44281703	Harness	Power distribution block to element circuit breaker
	44281701	Harness	Power distribution block to element circuit breaker
1	44088001	Nut	2 required
2	M402542	Snap Bushing	
3	M411283	Ground Lug Connector	
4	44134004	Contactator Box Cover	
5	70180001	Plug	
6	39733	Screw	
7	44286802	Wire Label	1 Phase; L1, L2 L1, N
	44286803	Label	3 Phase; L1, L2, L3
8	D516100	Label	
9	44328601	Sleeve	2 required
10	70058502	Pop Rivet	
11	685837	Screw	
12	44292501	Contactator Box Side	Top
13	44229701	DIN Rail	
	70058501	Pop Rivet	
14	51780	Screw	
15	70482801	Contactator	2 required
16	70488102	Circuit Breaker	25 amp
17	F8449801	End Stop	2 required
18	70488104	Circuit Breaker	2 required; 50 amp
19	44292401	Contactator Box Side	Bottom
20	44313201	Auxiliary Contact Block	
21	70030501	Expansion Clip	
22	F8206901	Screw	
23	M413865	Terminal Block	
24	44292601	Contactator Box Base Plate	
25	F8449502	Wire Clip	
26	44014901P	Power Distribution Block Cover	
27	F430232	Nut	
28	F140938	Snap Bushing	
29	70546902	Screw	
30	F8504301	Fan	

Accessory Box - Electric 380-480 Volt Models



TMB3478P_70591801

Accessory Box - Electric 380-480 Volt Models

REF	PART NO.	DESCRIPTION	COMMENTS
	44309004	Harness	CSA models; Power distribution block to control circuit breaker
	44309014	Harness	IEC models; Power distribution block to control circuit breaker
1	44088001	Nut	
2	M402542	Snap Bushing	2 required
3	M411283	Ground Lug Connector	
4	44134004	Contactorm Box Cover	
5	70180001	Plug	
6	39733	Screw	
7	44286803	Label	
8	D516100	Label	
9	44328601	Sleeve	2 required
10	70058502	Pop Rivet	
11	685837	Screw	
12	44292501	Contactorm Box Side	Top
13	51780	Screw	
14	70482801	Contactorm	2 required
15	70488101	Circuit Breaker	
16	44229701	DIN Rail	
17	44292401	Contactorm Box Side	Bottom
18	44313201	Auxiliary Contact Block	2 required
19	70058501	Pop Rivet	
20	70030501	Expansion Clip	
21	F8206901	Screw	
22	44292601	Contactorm Box Base Plate	
23	F8449502	Wire Clip	
24	M413865	Terminal Block	
25	44014901P	Power Distribution Block Cover	
26	F430232	Nut	
27	F140938	Snap Bushing	
28	70546902	Screw	
29	F8504301	Fan	

Harnesses

PART NO.	DESCRIPTION	COMMENTS
44316007	Harness	1 Phase
44316008	Harness	3 Phase
44280007	Configuration Harness	120 Volt; Cylinder
44280006	Configuration Harness	120 Volt; Fan
44334308	Contactora Coil Harness	Electric models
44334303	Control Harness	Electric models; 1 Phase
44334304	Control Harness	Electric models; 3 Phase
44334504	Control Tray Harness Assembly	Electric models
44334508	Control Tray Harness Assembly	Steam models
44334503	Control Tray Harness Assembly	Gas models
44334702	Inverter Contactora Coil Harness	Secondary
44281705	Jumper Harness	
44316001	Harness	1 Phase
44316002	Harness	3 Phase
44280010	Motor Contactora Power Harness	1 Phase; EMI
44280012	Motor Contactora Power Harness	3 Phase; EMI
44280001	Motor Contactora Power Harness	1 Phase
44280003	Motor Contactora Power Harness	3 Phase
44280101	Power Harness	
44272101	Power Harness	

Labels

PART NO.	DESCRIPTION	COMMENTS
44324201	Caution Label	Australian models; Repeat Ignition Reset
44318601	Caution Label	Vent/install
F8614501	Danger Label	Shock; English/French
F8614301	Hot Surface Warning Label	English/French
F8609001	Hot Surface Warning Label	Icon
F8605501	Label	
44318600	Label Kit	Vent/install
F8614500	Label Kit	Shock
F8611600	Warning Label Kit	
44321501	Notice Label	120/240 Volt
70539601	Notice Label	
70534201	Notice Label	
F8609501	Notice Label	
D516073	Notice Label	Read instructions; Icon
70538401	Pinch Warning Label	English/French
F8615701	Pinch Warning Label	Icon
70536401	Warning Label	Lint; Australian models
44324101	Warning Label	Fire; Australian models
44321601	Warning Label	Risk of fire; Icon
44324001	Warning Label	Shock/pinch

Parts Index

A

Access Panel Trim 70399402	41
Adapter 44178801	67
Air Exhaust Deflector 44308401	63
Air Filter 44104201	73
Airflow Switch and Arm Bracket 70319602	65
Airflow Switch Arm 70319401	65
Airflow Switch Assembly 70429602	65
Airflow Switch Vane 70319202	65
Auxiliary Contact Block 44313201	77, 79

B

Baffle 44304601	47
44304701	47
44304702	47
Ball Bearing 44041901P	57
Bearing M413923P	57
Belt Guard 44298401	49
44314301	49
44332201	49
Belt Guard Side Panel 44298301	49
44301101	49
Blind Rivet F8245101	43
Blower Assembly 70302201P	63
Blower Housing Scroll 44303801	63
Blower Inlet Cone 70303101	63
Blower Motor Mounting Plate 70380801	63
Bolt M400650	57
Bottom Pan 44304301	47
Burner Assembly M410541P	67
Burner Orifice M40098	69
M400999	69
M401001	69
M401002	69

M401011	69
M401018	69
M401020	69
M401027	69
M402997	69
M403017	69
M406361	69
70070905	69
70070906	69
Burner Support 44110201	67
Bushing 70346501	75
Bypass Harness 44334103	37, 47

C

Cable Tie 70335601	75
Cam and Hinge Kit M4772P3	53
M4773P3	53
Caution Label 44318601	81
44324201	81
Center Pan 44304201	47
Central Pay Harness 44306001	21
Circuit Breaker 70488101	79
70488102	77
70488105	77
Circuit Plug, 1 26302	59
Coil F8514601P	73
F8514701	73
Coin Box F160673P	47
Coin Chute Assembly 70296401	47
Coin Drop 38963P	31
39748	31
70441601	31
70441603	31
Coin Drop Assembly 201141	31
210195	31
210196	31
38462P	31
38463	31
38467	31
38519	31
70281102	31
70283102	31
70441602	31
70447301	31
70471601	31

N/A items do not appear in index.

70482401	31	Control Door and Studs Assembly	
70506901	31	70570201	29
Coin Drop Kit		Control Door Latch	
CK077	31	431318	47
CK122	33	Control Harness	
Coin Identification Paper		44334303	80
38464P	31	44334304	80
38475	31	44334404	17
38725	31	Control Panel	
Coin Meter		44000122*	39
F0160737-00	31	44000122*P	39
Coin Vault and Emergency Stop Mount Assembly		44000125	39
70529502	47	44000130DG	39
Coin Vault Assembly		44040005*	39
70529501	47	44040008B	39
Coin Vault Switch Harness		44040011*	39
44334101	37, 47	44040013	39
Cold Weather Kit		44040014	39
44340301	17	44040015LG	39
Configuration Harness		Control Plate	
44280006	80	70497101	19, 27
44280007	80	Control Plate and Studs Assembly	
Contact Base		70496601	21, 23
F8538101	35	Control Plate Assembly	
Contact Switch		70497201	21, 23
F8069501	35	Control Tray	
Contactors		70492401	75
70482601	75	Control Tray Harness Assembly	
70482801	77, 79	44334503	80
Contactors Box Base Plate		44334504	80
44292601	77, 79	44334508	80
Contactors Box Cover		Control Trim	
44134004	77, 79	44016401	37
Contactors Box Side		70529401	37
44292401	77, 79	Conversion Kit	
44292501	77, 79	70559301	75
Contactors Coil Harness		Cylinder and Trunnion Assembly	
44334308	80	44195601	55
Control		44195602	55
70511601	17	44195603	55
Control Assembly		44195605P	55
70478801	21, 23	44195606	55
70478802	27	44195607	55
70478901	23	Cylinder Assembly	
70478902	27	44130802	55
70479801	19	44196301	55
70479901	19	44196302	55
70523001	23	44196303	55
70523002	27	Cylinder Kit	
70523101	19	44057001P	55
70543104	29	44057101P	55
Control Board Control Tray		Cylinder Rib Assembly	
70494901	75	44191201	55
Control Box Assembly			
44180101	15	D	
Control Box Base		Damper Assembly	
44065301	17	44280301	63
Control Box Cover		Danger Label	
44065201	17	F8614501	81
Control Box Housing		DIN Rail	
44306701	17	M412690	75
Control Box Top		44229701	77, 79
44307101	17		

N/A items do not appear in index.

DIN Valve Adapter Kit F8382301	73
Direct Air Kit 44355101P	67, 71
Door Assembly 44028906	51
44028907	51
44028908	51
44058105	51
44058106	51
44058107	51
44058108	51
44266703	51
44266704	51
44292302B	51
44292302LG	51
70407402	51
Door Glass 44008401P	51
44008402P	51
44008403	51
44008404	51
Door Glass Installation Tool M4221P4	51
Door Handle 44007901	51
44263801	51
70521102	51
Door Hinge Assembly 44075203*	53
44075208B	53
44075208LG	53
44075211	53
Door Hinge Lug Assembly 44035001	53
44035002	53
Door Latch M401223	37
Door Ring and Handle Assembly 44326007B	51
44326007LG	51
Door Ring Assembly 44326001	51
44326002	51
44326003B	51
44326004B	51
44326005	51
44326006	51
Door Ring Gasket 70296802	51
Door Seal Kit 70211902P	51
Door Switch Actuator Kit 70215001P	53
Door Switch Harness 44271502	37
Drive Motor 44259501P	61
44259601	61
Drive Rivet M400713	17

E

Elbow 70079601	67
Electric Stove Assembly 44252501	71
Electric Wrap 44327302	71
Electronic Coin Drop Assembly 70294107	31
70513302	31
70513303	31
70513304	31
70513306	31
70513308	31
70513309	31
70513310	31
70513311	31
70513312	31
70513313	31
70513314	31
70513315	31
70513316	31
Electronic Coin Drop Kit CK099	33
CK100	33
CK101	33
CK108	33
CK109	33
CK110	33
CK113	33
CK115	33
CK116	33
CK117	33
CK118	33
CK119	33
CK120	33
CK121	33
Emergency Stop Button Kit 70580301	35
Emergency Stop Bypass Harness F8519403	35
Emergency Stop Harness 44272401	35
Emergency Stop Interconnect Harness 44272106	35
Emergency Stop Label 44012901	35
44012903	35
Emergency Stop Mounting Bracket 70550401	35
Emergency Stop Pushbutton F200233500	35
EMI Filter F8591601	75
F8637501	75
End Stop F8449801	75, 77
Exhaust Pipe Assembly 44327901	63
Expansion Clip 70030501	21, 23, 37, 45, 75, 77, 79
Extension Spring F8440701	61

N/A items do not appear in index.

F

Fan	
F8504301	77, 79
Fan Motor	
70478701	63
70484901	63
FCC-IC Label	
F8613201	23, 29
Felt Pad	
M402144	55
Fill Hose	
202799	17
Filter	
44172001	73
Filter Bracket	
70533101	75
Filter Mounting Plate	
70551701	17
Front Panel	
44052503*	41
44052520DG	41
44052522	41
44052525*	41
44052526DG	41
44052527	41
44052528	41
44052529	41
44052530DG	41
44052530LG	41

G

Gas Stove Assembly	
44136004	67
Gas Valve	
44154501P	67
44154502P	67
44154505	67
44154506	67
44178301P	67
44178302P	67
44298501	67
Gas Valve Bracket	
44175703	67
Gas Valve Harness	
44273501	67
44273502	67
Ground Lug Connector	
M411283	75, 77, 79
Guard Panel	
44269201	49
44269202	49
44332301	49

H

Handle and Caps Assembly	
70154405	43
70154415	43
Handle Bar	
70399501B	51

Handle Bumper	
70407202	43
70407210	43
Harness	
F8617901	29
44281701	77
44281703	77
44281706	71, 77
44281707	77
44309003	77
44309004	79
44309013	77
44309014	79
44316002	80
44316007	80
44316008	80
Harness Adapter Plate	
70523301	17
Harness Mounting Plate	
70307007	15, 21, 23, 27, 29
Harness Strap	
55881	59
Heat Exchanger	
70500401	67, 71
Heater Element	
M410939P	71
M410940P	71
M410941P	71
M412955P	71
Heating Element Screen	
44308801	71
High Voltage Suppression Cable	
44239705	67
Hose	
44073304	17
Hose Clamp	
36801	17
Hose Fitting	
44069101	17
Hot Surface Warning Label	
F8609001	81
F8614301	81
Housing and Trunnion Assembly	
M4644P3	57
44336302	57

I

Idler Shaft	
44303102	61
Idler Spacer	
44306801	61
Igniter Cover	
70159601	67
Ignition Control	
70482001	75
70482002	75
Insulation	
44150102	47
44150103	47
Insulator	
M413862	75
Interconnect Harness	
44334401	17

N/A items do not appear in index.

Inverter Contactor Coil Harness 44334702	80
Inverter Motor Harness 44335304	61
44335305	61
I/O Control Assembly 70479201	75

J

Jumper Harness D511476	37
44281705	80
44281708	71
44281709	71
Jumper Strip M400869	71

K

Key M400008	55, 61
44309301	61
70155601	17, 37
70155602	37
Kickplate 70117607	43
70117619	43

L

Label D503887	67
D516100	75, 77, 79
F8605501	81
F8649601	23
44190901	41
44286801	75
44286803	75, 77, 79
44318201	17
70414001	51
70537001	41
70537101	41
Label Kit F8614500	81
44318200	17
44318600	81
44324500	17
70534400	41
Latch Mounting Bracket 44003201	47
Light 801432	17
Limit Offset Bracket 44226101	71
Limit Thermostat 44328003	63
44328006	71
44328007	67
70530905	63
Lint Bracket 44325301	45

Lint Panel 44293601*	43
44293602	43
44293603LG	43
44293604DG	43
44293605	43
44298102	45
44300901	45
Lint Panel Gasket 70289101P	43
Lint Screen 44063601	45
Lint Screen Clip H96418413	45
Lint Screen Top Rail 44298901	45
Lock, Key and Nut Kit 44089301P	17, 37
44089302P	37
Low Pressure Steam Cover M400828	73
Lower Rear Panel 44300001	47
L.P. Conversion Kit 44328801	67
44330301	67

M

Machine ID Control Assembly 203361P	21, 23, 27, 29
Magnet 70343101	43
Magnet Bracket 44290501	43
Main Harness 44316001	80
44334201	15
Male Tab Terminal 00621SG	75
Micro V Pulley 44270201	61
Mixing Valve 70519801	17
Mixing Valve Shield Bracket 44306601	17
Moisture Sensing Harness Kit 44344700	59
Moisture Sensor Harness 44333902	59
Motor Conduit Bracket 44317901	61, 63
Motor Contactor Power Harness 44280001	80
44280003	80
44280010	80
44280012	80
Motor Pivot Bracket Weldment 44327001	61
Motor Pivot Gusset Bracket 44325701	61
Motor Pivot Plate Weldment 44311501	61

N/A items do not appear in index.

Motor Pivot Support Bracket 44325801	61
Motor Pulley 70559102	61
Mount Bracket 44308701	17
Mounting Plate 70208801	21, 23

N

Nameplate F8443106	39
44010601	39
567887	39
70541801	39
Nameplate Bezel 70117401	39
Nameplate Overlay 44130301	39
44144401	39
70410201	39
70411401	39
Notice Label D516073	81
F8609501	81
44321501	81
70534201	81
70539501	67
70539601	81
Notice label 70544901	67
Nut F430232	77, 79
M400026	57
M400035	59
M400977	37, 39
M404993	55
M414215	51
21899	47
23951	43
36020	73
44071201	29
44088001	51, 53, 75, 77, 79
44333202	61
51236	43
70054	71

O

Opto Coupler 200674P	31
Overlay F8205101	21, 23
70295101	23
70512004	25
70512005	25
70512006	25
70512007	25
70512008	25
70516801	19
70516802	19
70517001	25
70517002	25

70517003	25
70517004	25
70517005	25
70517801	19
70517802	19
7051801	21
7051802	21
70518101	23
70518102	23
70518201	25
70518202	25
70518203	25
70519001	19
70519002	19
70519201	29
70539101	19
70539102	19
70541201	25
70541202	25
70541203	25
70544701	21
70544702	21
70544703	21
70545501	19
70545502	19
70547401	21
70547402	21
70547501	19
70547502	19
70547801	27
70547802	27
70548101	21
70548801	27
70548802	27
70556201	23
70556301	23
70556401	23
70556402	23
70556501	21, 23
70556502	21, 23
70556601	23
70556701	23
70556801	23
70556901	23
70557001	21, 23
70557002	21, 23
70559001	25
70570301	21
70570302	21
70570303	21
70570601	27
70570602	27
70570801	27
70570802	27
70571001	25
70571002	25
70571003	25
70571101	25
70571102	25
70571103	25
70571401	27
70571402	27
70571601	27
70571602	27
70572401	27
70572402	27
70572601	25

N/A items do not appear in index.

P

Panel Locator	
56079	37, 43
Panel Lock	
44089304	37
44089305	37
Pinch Warning Label	
F8615701	81
70538401	81
Pipe Bracket	
44327601	49
Pipe Nipple	
431486	67
70210201	67
70263801	67
70435601	67
Pipe Tee	
44231901	67
Plug	
70167601	67
70180001	17, 77, 79
Pop Rivet	
M400003	37, 47, 75
70058501	43, 47, 53, 75, 77, 79
70058502	77, 79
70126301	43
70126401	43
70412601	51
Porcelain Touch-Up Paint	
122P4P	47
370P4P	47
Power Distribution Block Cover	
44014901P	77, 79
Power Harness	
44272101	80
44280101	80
Power Sensor Harness	
44334402	17
Pressure Fitting	
44231601	67
Pulley	
44289502	61
Pushbutton Switch	
70413301	19, 21, 23, 27, 37
Push-to-Start Switch	
801434W	17

R

Rear Access Plate	
44136101	67
Reed Switch Assembly	
F8066804	43
Rib Rod	
M401411	55
Rib Wire	
44208601	59
Roller Bracket Assembly	
70404001	43
Roller Catch Arm	
70030301	43

Roller Catch Spacer	
70030201	43
Roller Catch Wheel	
70297601	43

S

Screw	
F8206901	75, 77, 79
M400044	53
M400063	57
M400661	51
M402797	67
M411072	21, 23, 29, 37
23008	73
33562	29, 71
39733	43, 77, 79
430497	15, 17, 47, 65, 67, 71
430757	43, 65
431287	47
44338901	59
51780	17, 47, 77, 79
51783	75
685837	75, 77, 79
70033502	37, 53
70072801	43
70132301	43
70182601	37
70187201	57
70240301	67, 71
70247701	47
70275801	37
70409801	53
70442101	51, 53, 59
70546902	77, 79
804608	17, 19, 21, 23, 27, 29
Sensor Harness	
44334406	17
Shaft Wire	
44208701	59
Shield	
44326801	17
Shock Warning Label	
F8614201	17
F8614401	17
Side Panel	
44304401DG	47
44304401LG	47
44304401*	47
44304501DG	47
44304501LG	47
44304501*	47
Sleeve	
44328601	77, 79
Slip Ring Assembly	
44222701	59
Slip Ring Holder	
44224401	59
Slot Card Plate Assembly	
44089501	21, 23
Snap Bushing	
F140938	77, 79
M402542	77, 79
70178701	75

N/A items do not appear in index.

Spacer	
M401402	55
Spark Electrode	
44328701P	67
Spray Paint	
298P4P	47
Spud Holder Weldment	
44263101	67
Steam Adaptor Kit	
44314701	73
Steam Coil	
M400637P	73
Steam Control Assembly	
70501801	75
Steam Heater Assembly	
44020401P	73
44020402	73
Steam Stand Box	
44007501	73
Steam Valve	
F8322904P	73
Steam Valve Harness	
F8520703	73
Stove Grate	
44300301	49
44300302	49
44335601	49
Stove Limit Harness	
70564302	73
70564304	67, 71
Strain Relief	
44304801	73
Switch	
70411901	65
Switch Bracket	
44296101	43
Switch Hole Plug	
44057801B	37
44057801LG	37
44057801Q	37
44057801W	37

T

Terminal	
00622SG	75
Terminal Block	
M413865	77, 79
430642	75
Terminal Block Shield	
70333001	75
Thermistor	
M414704	63
44064701	47
Thermistor Plate	
70424401	47
Top Cover	
44139301	47
Top Cover Pan	
44135001P	47
Top Pan	
44304101	47

Top Panel Bracket	
44129401	47
Transformer	
F8491101	75
202757	47
202758	47
Transformer Harness	
44272301	47
44272302	47
Trunion and Bearing Assembly	
M4640P3	57
44336301	57
Trunion Assembly	
44207901	55
44208001	55
Trunion Housing	
M413826	57
Trunion Housing Assembly	
M413832	57
Tumbler Dolly Kit	
M4379P4	37

U

Upper Rear Panel	
44297001	47
USB Bracket	
70547001	29
USB-Serial Interface Assembly	
203440	29

V

Valve	
F8322906P	73
Valve Rebuild Kit	
F8379502	73
V-Belt	
44309402	61
44333301	61
Vend Activation Harness	
44334001	19, 21, 23, 27

W

Warning Label	
44321601	81
44324001	81
44324101	81
44324501	17
44324502	17
70534401	41
70534402	41
70534405	41
70536401	81
Warning Label Kit	
F8611600	81
Washer	
M400015	55, 57
20103	57
44238902	59

N/A items do not appear in index.

70261401	57
70409301	51
Water Valve Harness	
44334405	17
Wire Clip	
F8449501	75
F8449502	75, 77, 79
Wire Guard	
201595P	31
Wire Label	
44286802	75, 77
44286804	75
Wireless Network Board Harness	
F8536002	23, 29
Wireless Network Control Assembly	
203532	23, 29
Wireless Network Kit	
70596301	23, 29
Wireway Channel	
44239101	59
