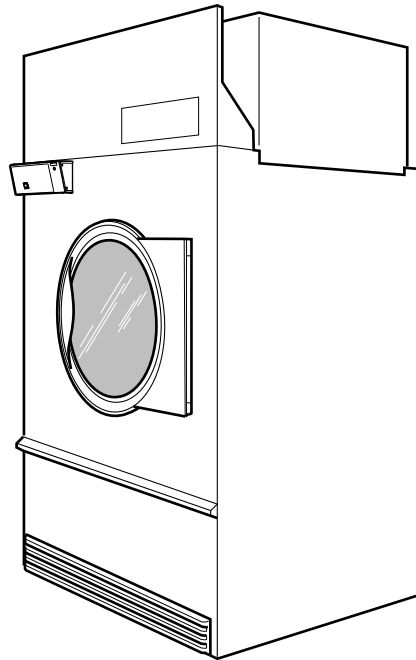


Tumble Dryer

170 Pound Capacity

Starting Serial No. 0907003062

Refer to Page 5 for Model Numbers



TMB1268C_70482101

Table of Contents

Title	Page
Parts Ordering Information.....	3
Serial Plate Location	3
Model Identification	5
Product Overview - Heat Source and Voltage	6
Product Overview - Control Suffixes (Drawing 1 of 2).....	8
Product Overview - Control Suffixes (Drawing 2 of 2).....	10
Interior Control Box	12
Exterior Control Box - RM Control Suffix.....	14
Exterior Control Box - RQ Control Suffix (Drawing 1 of 2)	16
Exterior Control Box - RQ Control Suffix (Drawing 2 of 2)	18
DMP Control Box - C and I Models with RD Control Suffix.....	20
DX4 Control Box - B Models with R3 Control Suffix.....	22
Exterior Control Box - RE Control Suffix (Drawing 1 of 2).....	24
Exterior Control Box - RE Control Suffix (Drawing 2 of 2).....	26
Exterior Control Box - RU Control Suffix	28
Fire Suppression System Control Box	30
Cabinet Front Components.....	32
Cabinet Front Panel	34
Cabinet Front Panels and Nameplates	36
Door Assembly.....	38
Door Components.....	40
Hinge Components	42
Lint Panel Components.....	44
Lint Panel Switch Assembly	46
Lint Screen and Drive Guard	48
Cylinder and Trunnion Assembly	50
Trunnion Bearings.....	52
Drive Sheave, Step Pulley and Belts	54
Cylinder Drive Motor	56
Moisture Sensing Components	58
Fan Assembly	60
Fan Motor Assembly	62
Airflow Switch.....	64
Gas Heater Components - Non-CE Models Through 3/10/13	66
Gas Heater Components - CE Models Through 3/10/13	68
Gas Heater Components - Models Starting 3/11/13	70
Gas Valve Replacement Kits - CE Models	72
Burner Orifices for Non-CE and Non-Australian Gas Models	74
Steam Heater Components - Except B, C and I Models.....	76
Steam Heater Components - B, C and I Models.....	78
Steam Solenoid Valve.....	80

© Copyright 2018, Alliance Laundry Systems LLC

All rights reserved. No part of the contents of this book may be reproduced or transmitted in any form or by any means without the expressed written consent of the publisher.

Rotation Sensor	82
Control Tray Wrap Components	84
Control Tray Fuses	86
Control Tray Harnesses	88
Control Tray Components for Gas Models	90
Control Tray Components for Steam Models.....	92
Parts Index.....	95

Parts Ordering Information

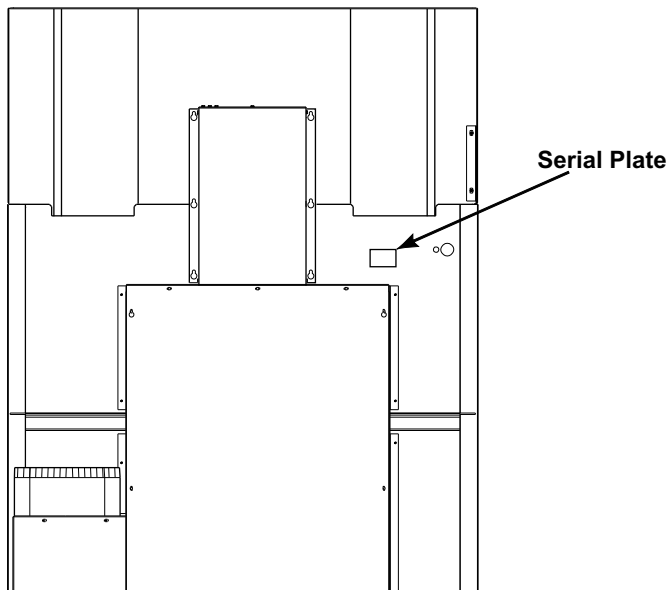
If literature or replacement parts are required, contact the source from whom the machine was purchased or contact Alliance Laundry Systems at (920) 748-3950 for the name and address of the nearest authorized parts distributor.

For technical assistance, call the number listed below:

(920) 748-3121 Ripon, Wisconsin

Serial Plate Location

When calling or writing about your product, be sure to mention model and serial numbers. Model and serial numbers are located on serial plate(s) as shown.



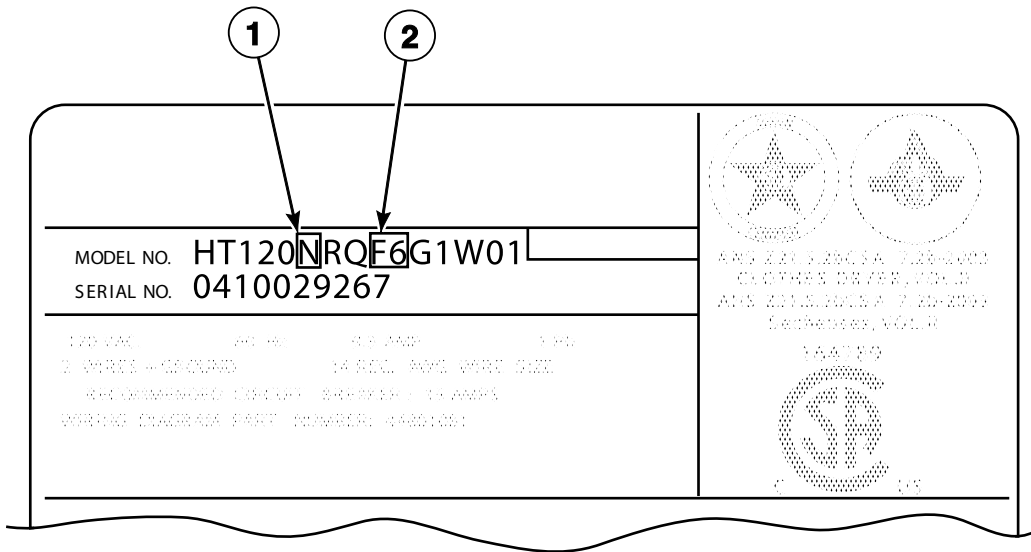
TMB3212P_70482101

Model Identification

Information in this manual is applicable to these tumble dryer models:

BA170L	GA170L	IT170L	LA170L	PA170L	UA170L
BA170N	GA170N	IT170N	LA170N	PA170N	UA170N
BH170L	GH170L	IT170S	LK170N	PH170L	UH170L
BH170N	GH170N	IT170T	LT170L	PH170N	UH170N
BH170S	GH170S	KA170L	LT170N	PH170S	UH170S
BK170N	GK170N	KA170N	LT170S	PK170N	UK170N
BT170L	GT170L	KK170N	LT170T	PT170L	UT170L
BT170N	GT170N	KT170L	LU170L	PT170N	UT170N
BT170S	GT170S	KT170N	LU170N	PT170S	UT170S
BT170T	GT170T	KT170S	LU170S	PT170T	UT170T
BU170L	GU170L	KT170T	LU170T	PU170L	UU170L
BU170N	GU170N	KU170L	NH170L	PU170N	UU170N
BU170S	GU170S	KU170N	NH170N	PU170S	UU170S
BU170T	GU170T	KU170S	NH170S	PU170T	UU170T
CA170L	HA170L	KU170T	NT170L	SA170L	XT170L
CA170N	HA170N		NT170N	SA170N	XT170N
CK170N	HH170L		NT170S	SH170L	XT170S
CT170L	HH170N		NU170L	SH170N	XT170T
CT170N	HH170S		NU170N	SH170S	XU170L
CT170S	HK170N		NU170S	SK170N	XU170N
CT170T	HT170L			ST170L	XU170S
CU170L	HT170N			ST170N	XU170T
CU170N	HT170S			ST170S	YT170L
CU170S	HT170T			ST170T	YT170N
CU170T	HU170L			SU170L	YT170S
	HU170N			SU170N	YT170T
	HU170S			SU170S	YU170L
	HU170T			SU170T	YU170N
					YU170S
					YU170T

Product Overview - Heat Source and Voltage



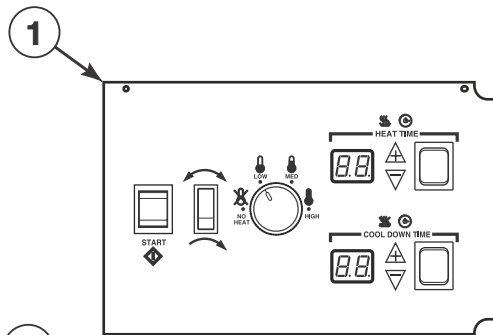
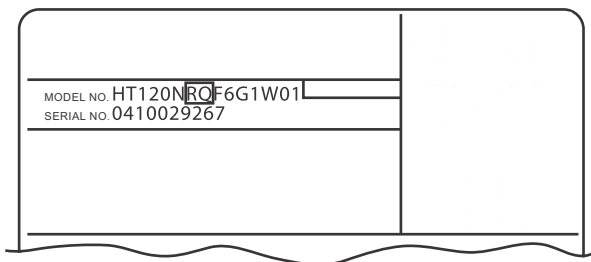
TMB2907P_70482101

Product Overview - Heat Source and Voltage

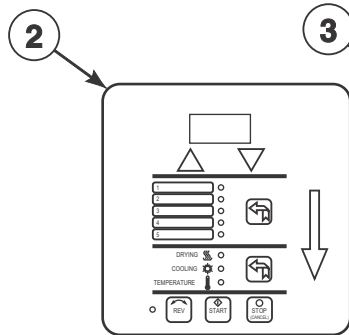
REF	PART NO.	DESCRIPTION	COMMENTS
1	-	Heat Source	L: Liquid Petroleum Gas (L.P.) N: Natural Gas (N.G.) S: Steam T: Thermal Oil
2	-	Voltage	F6: 200-208 or 240 Volt/60 Hertz/3 Phase J5: 230 Volt/50 Hertz/3 Phase J8: 240 Volt/60 Hertz/3 Phase M1: 380 Volt/50 Hertz/3 Phase M2: 380 or 400-415 Volt/50 Hertz/3 Phase M3: 380 Volt/60 Hertz/3 Phase N1: 400-415 Volt/50 Hertz/3 Phase P1: 440 Volt/60 Hertz/3 Phase Q1: 460-480 Volt/60 Hertz/3 Phase Q2: 480 Volt/60 Hertz/3 Phase

Product Overview - Control Suffixes (Drawing 1 of 2)

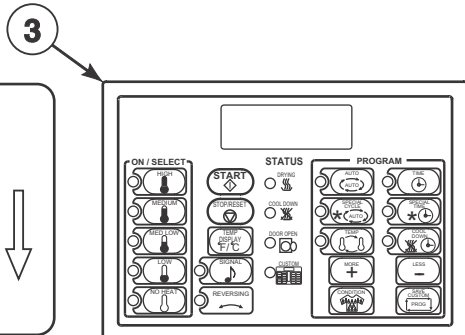
All Models Except G and K Models



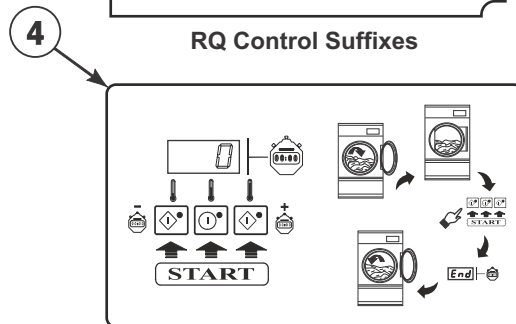
RQ Control Suffixes



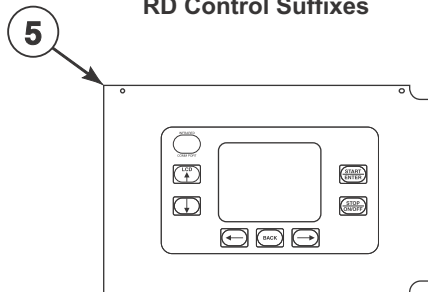
RD Control Suffixes



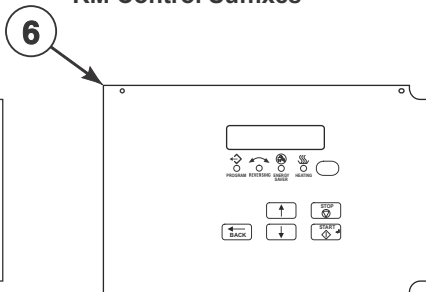
RM Control Suffixes



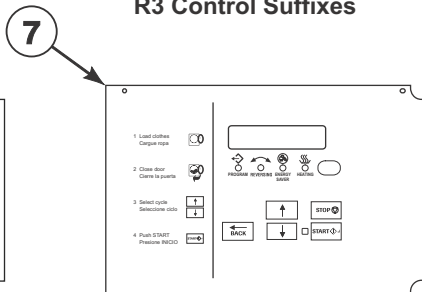
R3 Control Suffixes



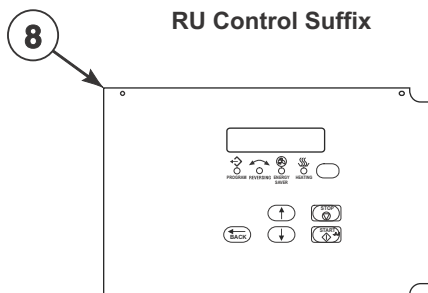
RU Control Suffix



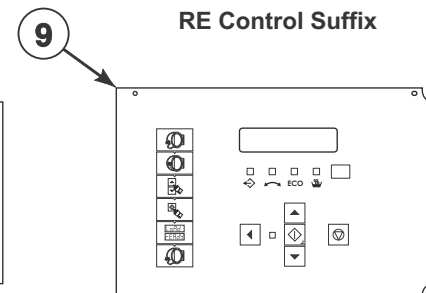
RE Control Suffix



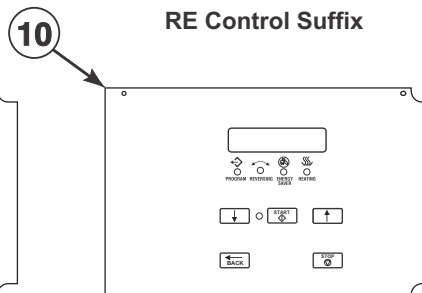
RE Control Suffix



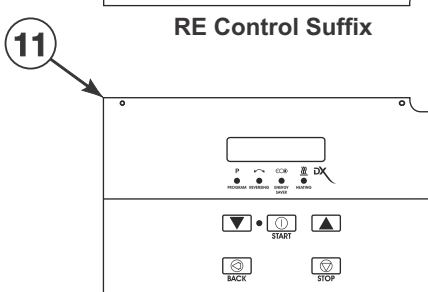
RE Control Suffix



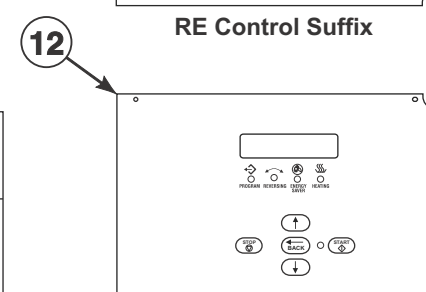
RE Control Suffix



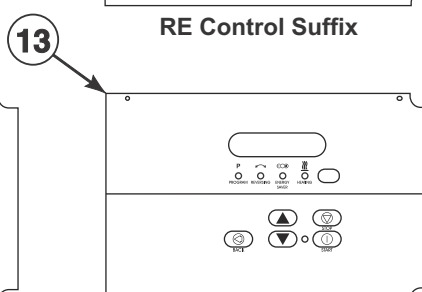
RE Control Suffix



RE Control Suffix



RE Control Suffix



RE Control Suffix

TMB3355P_70422001

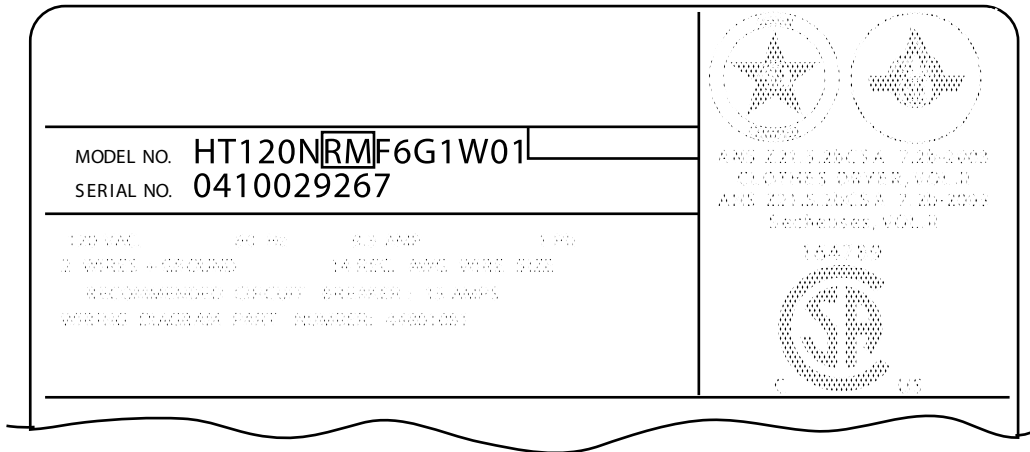
Product Overview - Control Suffixes (Drawing 1 of 2)

REF	PART NO.	DESCRIPTION	COMMENTS
1	-	Control - Reversing	RQ: reversing dual digital timer
2	-	Control - Reversing	RD: reversing DMP OPL
3	-	Control - Reversing	RM: reversing OPL micro
4	-	Control - Reversing	R3: reversing DX4 OPL
5	-	Control - Reversing	U models; RU: reversing UniLinc OPL
6	-	Control - Reversing	S models; RE: reversing LED OPL
7	-	Control - Reversing	H models; RE: reversing LED OPL
8	-	Control - Reversing	U models; RE: reversing LED OPL
9	-	Control - Reversing	B, C and I models; RE: reversing LED OPL
10	-	Control - Reversing	P models; Models through 9/30/14; RE: reversing LED OPL
11	-	Control - Reversing	P models; Models starting 10/1/14 through 5/31/15; RE: reversing LED OPL
12	-	Control - Reversing	N and Y models; L models through 5/31/15; RE: reversing LED OPL
13	-	Control - Reversing	L and P models; Models starting 6/1/15; RE: reversing LED OPL

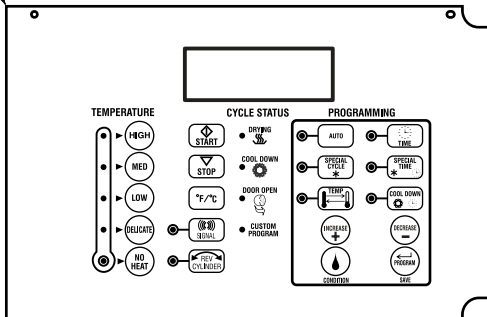
NOTE: OPL models have the following control suffixes: R3, RD, RE, RM, RQ and RU.

Product Overview - Control Suffixes (Drawing 2 of 2)

G and K Models

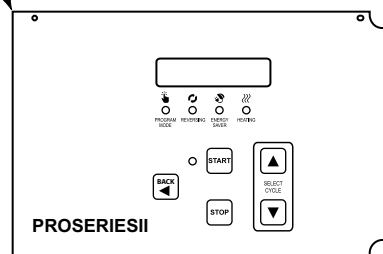


1



RM Control Suffixes

2



RE Control Suffix

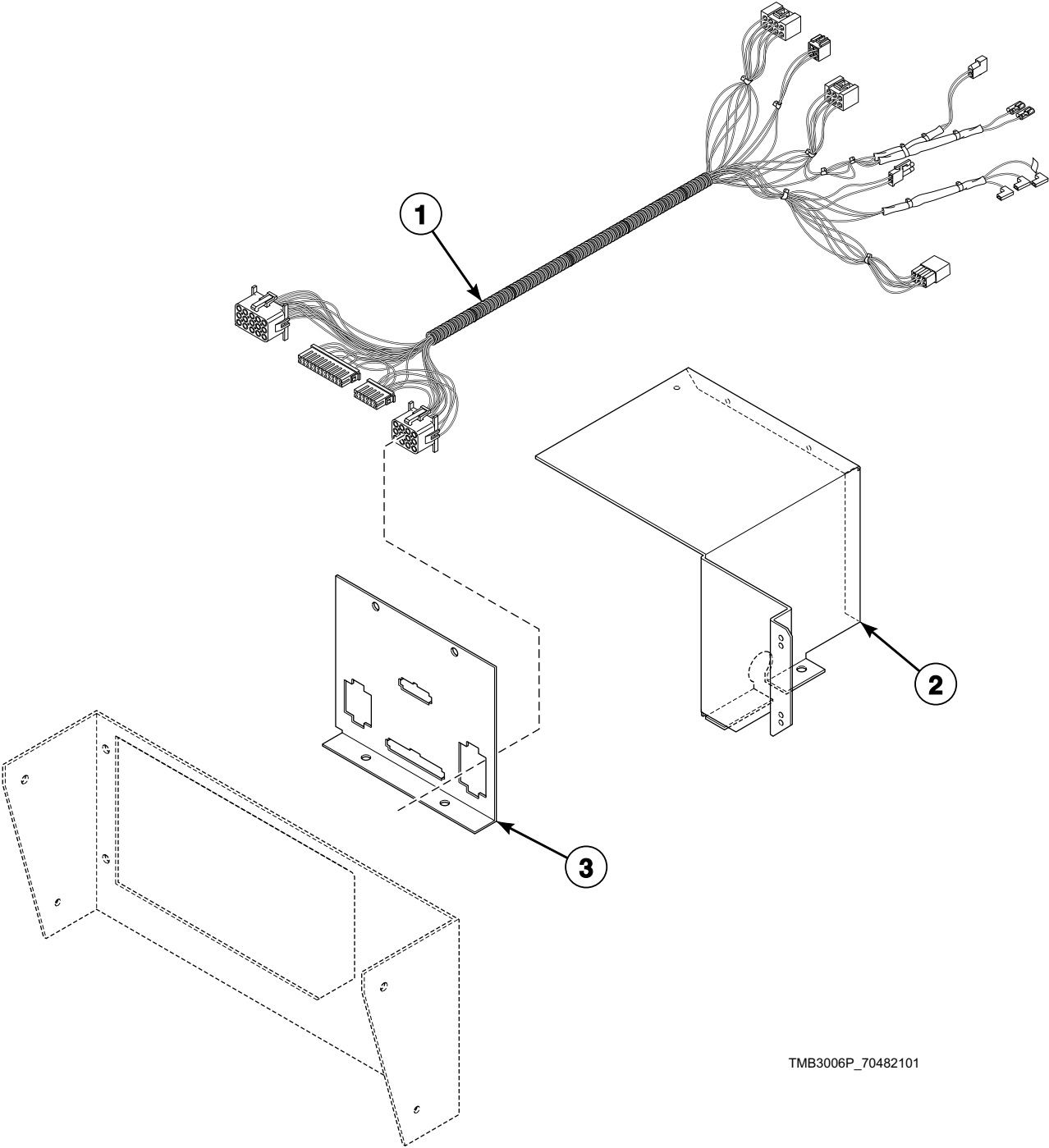
TMB3145P_70482101

Product Overview - Control Suffixes (Drawing 2 of 2)

REF	PART NO.	DESCRIPTION	COMMENTS
1	-	Control - Reversing	RM: reversing OPL micro
2	-	Control - Reversing	RE: reversing LED OPL

NOTE: OPL models have the following control suffixes: RE and RM.

Interior Control Box



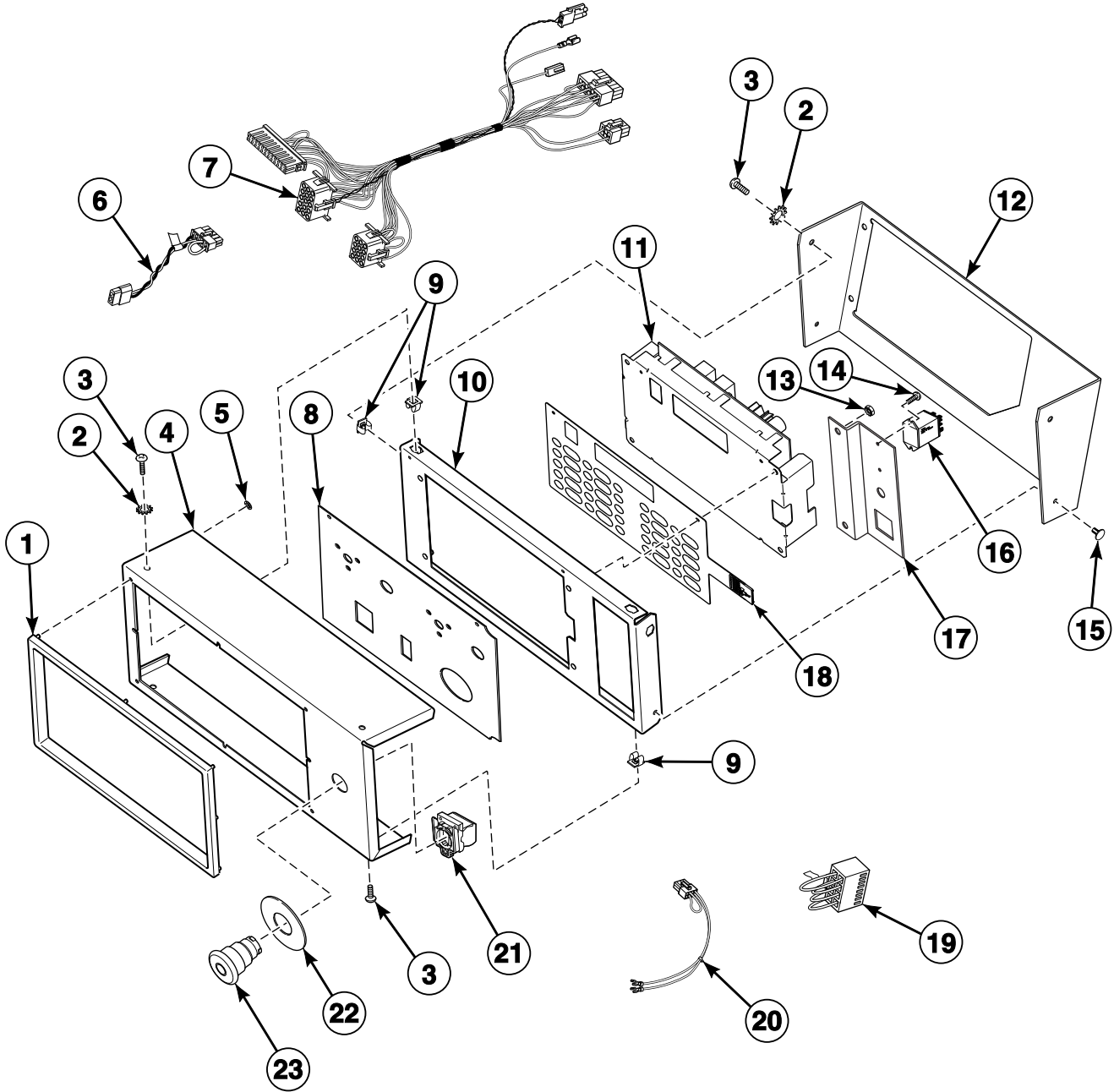
TMB3006P_70482101

Interior Control Box

REF	PART NO.	DESCRIPTION	COMMENTS
1	44162401	Main Harness	Models through 7/31/11
	44243701	Main Harness	Steam models starting 8/1/11; Gas models starting 8/1/11 through 3/10/13
	44251301	Main Harness	Gas models; Models starting 3/11/13
2	44161001	Control Box	
3	44161101	Control Housing Cover	

Exterior Control Box - RM Control Suffix

H, S and U Models Through 7/31/11
G, K, L, P, X and YU Models Through 1/1/12



TMB3294P_70482101

Exterior Control Box - RM Control Suffix

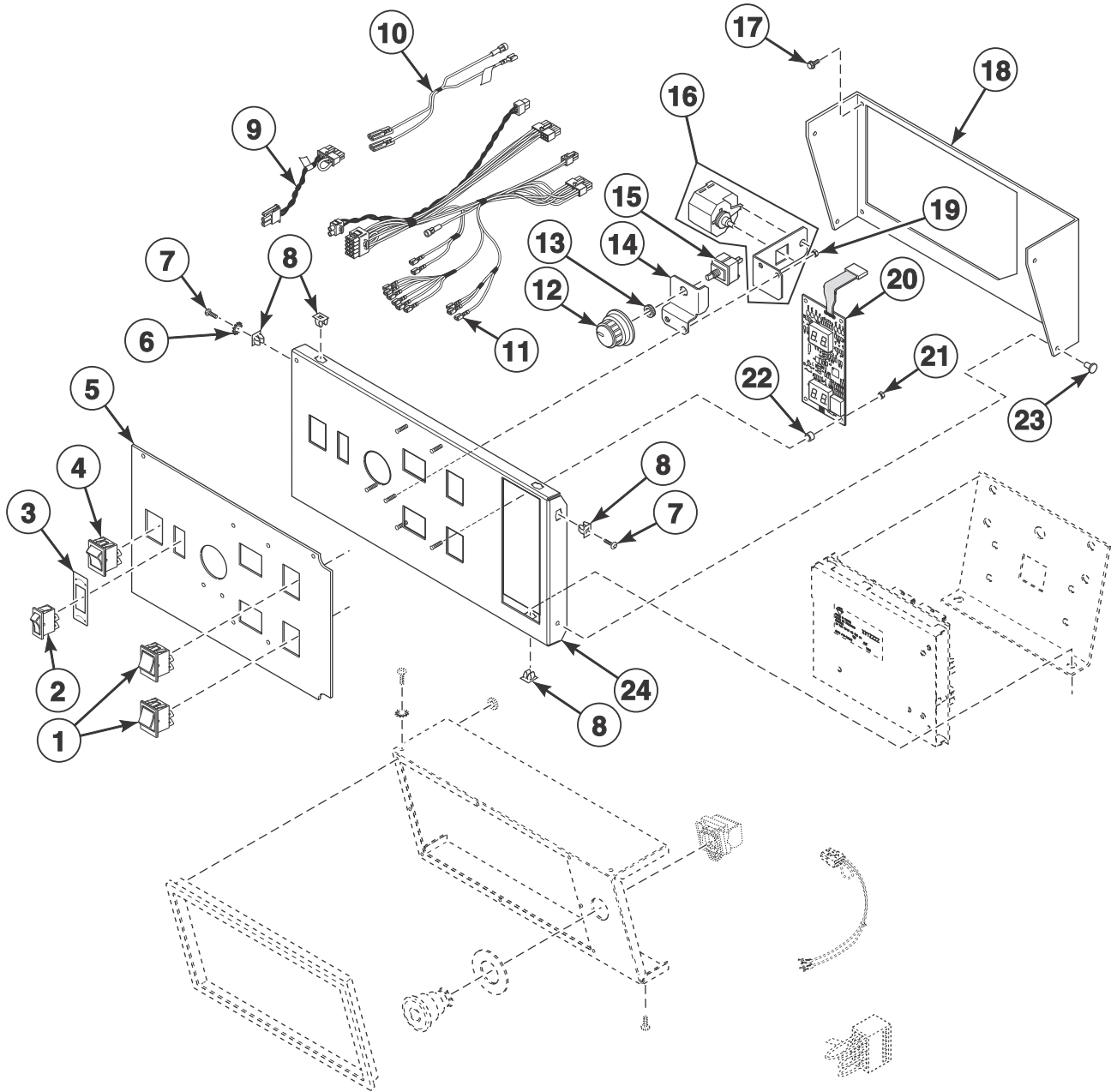
REF	PART NO.	DESCRIPTION	COMMENTS
	M413930P	Ferrite Core Assembly	2 required
	M4795P3W	Security Cover Kit	
	M4457P3	RC Filter Kit	Includes (2) F330217P RC Filter and instructions
1	44016401	Control Trim	G, K, L, P, S, U, X and YU models; Black
	44016402	Control Trim	H models; Gray
2	03815	Washer	2 required
3	800930	Screw	6 required
4	44111701*	Control Cover	G and K non-CE models
	44111702	Control Cover	G and K non-CE models; Stainless steel
	44013307*	Control Cover	All other non-CE models
	N/A	Control Cover	All other non-CE models; Stainless steel
	44111705W	Control Cover	G and K CE-models
	N/A	Control Cover	All other CE models
	44111706	Control Cover	G and K CE-models; Stainless steel
	44013306	Control Cover	X and Y CE-models; Stainless steel
	44013312	Control Cover	All other CE models; Stainless steel
5	M400977	Nut	8 required per control trim
6	70084305	Jumper Calibration Wire	
7	70335301P	Control Panel Harness	Non-CE models
	70382701P	Control Panel Harness	CE models
8	70128401	Overlay	S, U, X and YU models; Text
	70130501	Overlay	L, S and U models; Icon
	70128601	Overlay	H models; Text
	70130701	Overlay	H models; Icon
	70135301	Overlay	P models
	44130001	Overlay	G and K models; Text and icon
9	70030501	Expansion Clip	6 required per control plate
10	44029601	Control Plate Assembly	Includes studs
11	70228401P	Control Kit	Includes tape
12	44099501W	Control Mounting Bracket	G and K models
	44012801W	Control Mounting Bracket	All other models
13	70054	Nut	4 required per control plate
14	430497	Screw	4 required
15	M400713	Drive Rivet	2 required
16	M412534	Relay	CE models
17	44041701	Relay/Buzzer Bracket	
18	M414368P	Membrane Switch	
19	70364103	Bypass Harness	Non-CE models
20	70364105P	Emergency Stop Contact Harness	CE models; 1 contact
	70364106P	Emergency Stop Harness	CE models; 2 contacts
21	F200233400	Contact Block Switch	CE models; Models through 8/17/14
	F8069501	Contact Switch	CE models; Models starting 8/18/14
	F8538101	Contact Base	CE models; Models starting 8/18/14
22	44012901	Emergency Stop Label	CE models
23	F200233500	Emergency Stop Pushbutton	CE models

* Add Letter To Designate Color. Q - Bisque W - White

N/A = Part no longer available

Exterior Control Box - RQ Control Suffix (Drawing 1 of 2)

C, H, I, L, N, P, S, U, X and YT Models
G and K Models Starting 1/16/12



TMB3295P_70482101

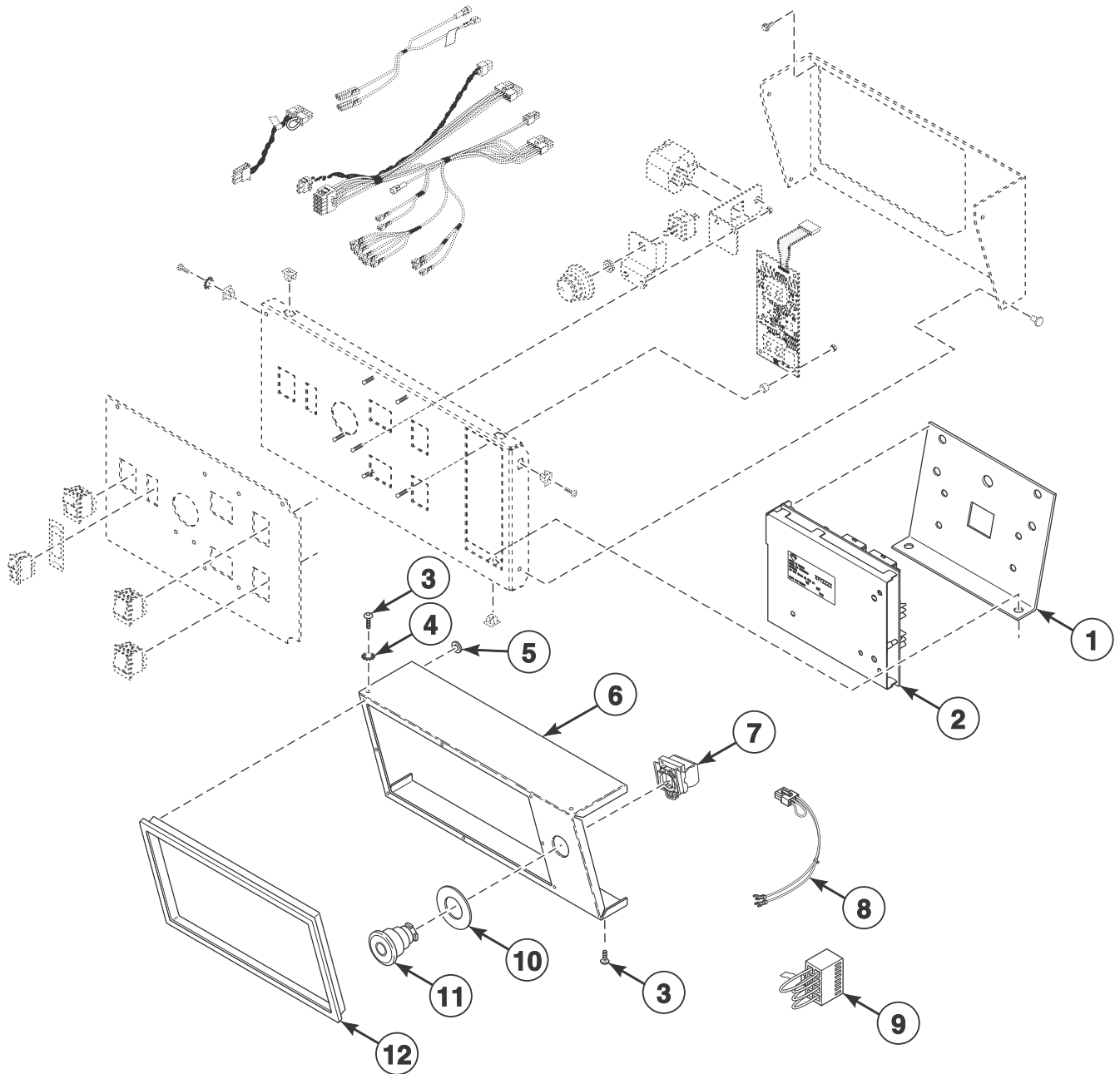
Exterior Control Box - RQ Control Suffix (Drawing 1 of 2)

REF	PART NO.	DESCRIPTION	COMMENTS
	M4795P3W	Security Cover Kit	
1	70461301	Rocker Switch	2 required
2	44099601	Rocker Switch	Reversing
3	M413236	Switch Plate	Reversing
4	70455101	Rocker Switch	Start
5	70362202	Overlay	G, K, L, N, S, X and YT models; C and I models through 7/14/14; U models through 8/17/14; P models starting 1/15/15
	70504702	Overlay	C and I models starting 7/15/14; Reversing
	70494002	Overlay	U models; Models starting 8/18/14
	70362502	Overlay	H models
	70362402	Overlay	P models through 1/14/15
6	03815	Washer	
7	800930	Screw	
8	70030501	Expansion Clip	6 required
9	70324604	Jumper Calibration Wire	
10	44100101P	Control Harness	Jumper
11	70367001P	Control Panel Harness	
12	44104601	Temperature Knob	
13	24205	Nut	
14	70391701	Temperature Selector Switch Bracket	
15	D511711	Temperature Selector Switch	
16	M4860P3	Buzzer Kit	Includes bracket, buzzer and wire harness
17	430497	Screw	
18	44099501*	Control Mounting Bracket	
	44099504LG	Control Mounting Bracket	U models; Light gray
	44099502	Control Mounting Bracket	Stainless steel; Models through 3/31/15
	44099505	Control Mounting Bracket	Stainless steel; Models starting 4/1/15
19	70054	Nut	2 required
20	D512218P	Display Assembly	C and I models through 7/14/14; All other models
	70503101P	Control Assembly	C and I models starting 7/15/14
21	29787	Nut	4 required
22	56079	Panel Locator	4 required
23	M400713	Drive Rivet	2 required
24	44099201	Control Plate and Studs Assembly	Includes studs

* Add Letter To Designate Color. Q - Bisque W - White

Exterior Control Box - RQ Control Suffix (Drawing 2 of 2)

C, H, I, L, N, P, S, U, X and YT Models
G and K Models Starting 1/16/12



TMB3295PA_70482101

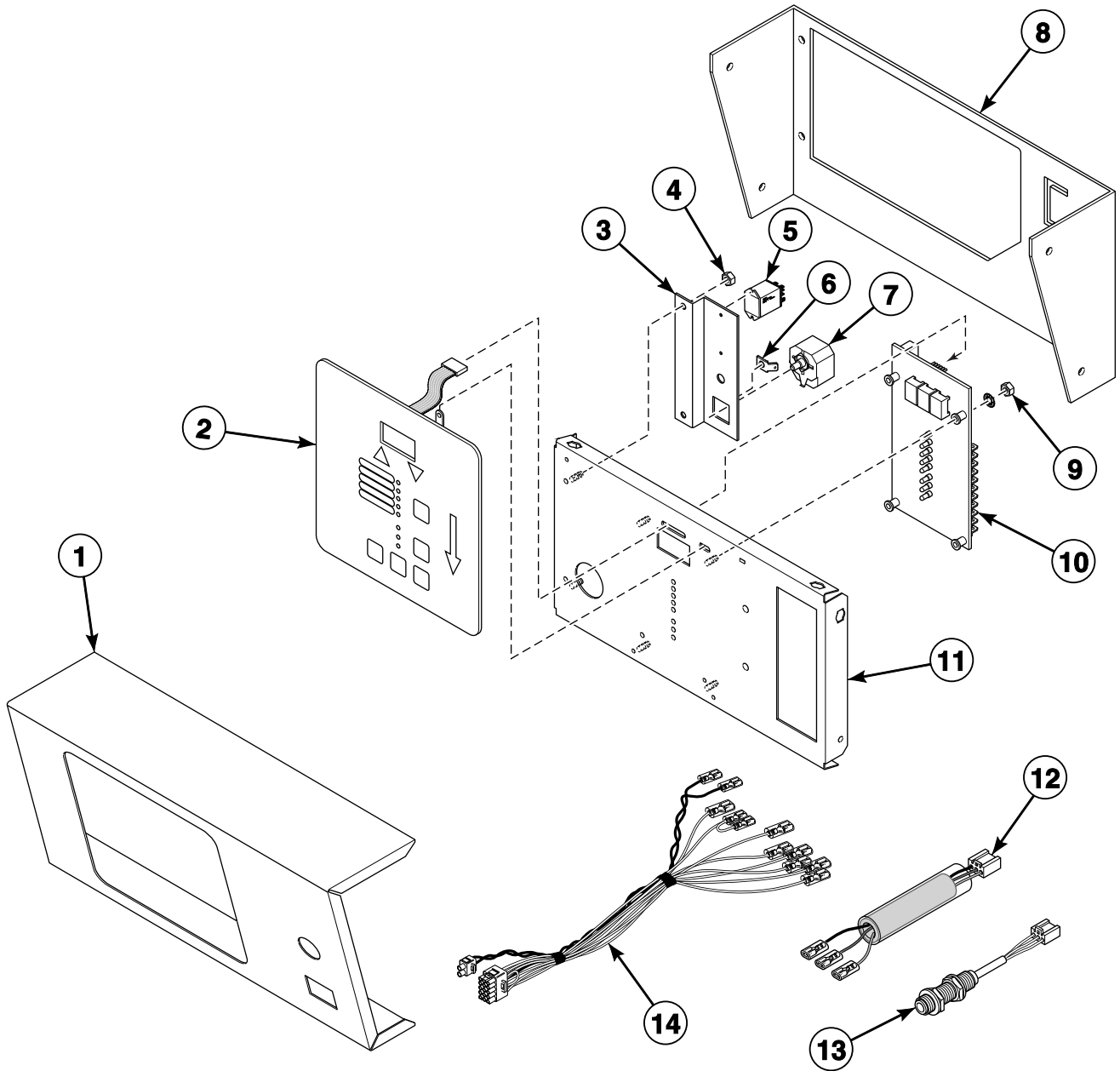
Exterior Control Box - RQ Control Suffix (Drawing 2 of 2)

REF	PART NO.	DESCRIPTION	COMMENTS
	M4795P3W	Security Cover Kit	
1	70357901	Control Chassis Mounting Bracket	
2	D512202P	Control Assembly	
3	800930	Screw	
4	03815	Washer	
5	M400977	Nut	
6	44013307*	Control Cover	Non-CE models
	44111713LG	Control Cover	Non-CE and non-Australian U models; Light gray
	44013308	Control Cover	Non-CE models through 3/31/15; Stainless steel
	44013317	Control Cover	Non-CE models starting 4/1/15; Stainless steel
	44013311*	Control Cover	CE models
	44111714LG	Control Cover	CE U gas models; Light gray
	44111715LG	Control Cover	CE U steam models; Light gray
	44111716LG	Control Cover	Australian U models; Light gray
	44013312	Control Cover	CE models through 3/31/15; Stainless steel
	44013319	Control Cover	CE models starting 4/1/15; Stainless steel
7	F200233400	Contact Block Switch	CE models; Models through 8/17/14
	F8069501	Contact Switch	CE models; Models starting 8/18/14
	F8538101	Contact Base	CE models; Models starting 8/18/14
8	70364105P	Emergency Stop Contact Harness	CE models; 1 contact
	70364106P	Emergency Stop Harness	CE models; 2 contacts
9	70364103	Bypass Harness	Non-CE models
10	44012901	Emergency Stop Label	CE models
11	F200233500	Emergency Stop Pushbutton	CE models
12	44016401	Control Trim	N, S, U, X and YT models; Black
	44016402	Control Trim	H models; Gray

* Add Letter To Designate Color. Q - Bisque W - White

DMP Control Box - C and I Models with RD Control Suffix

Models Through 7/31/11



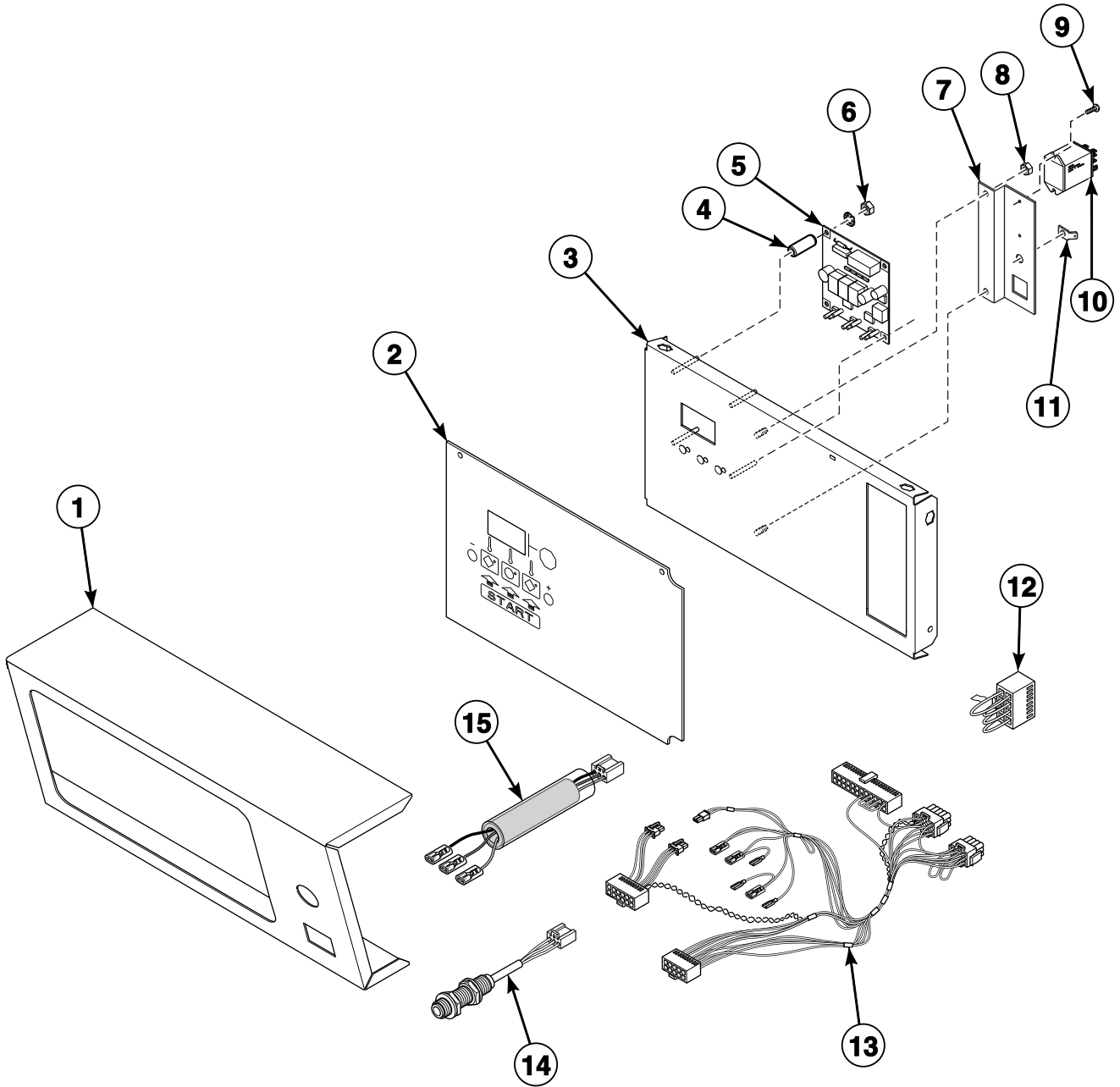
TMB3007P_70482101

DMP Control Box - C and I Models with RD Control Suffix

REF	PART NO.	DESCRIPTION	COMMENTS
	M413930P	Ferrite Core Assembly	Use with item 14
1	44040107*	Control Cover	Non-CE models
	44040108	Control Cover	Non-CE models; Stainless steel
	44040111*	Control Cover	CE-models
	44040112	Control Cover	CE-models; Stainless steel
2	44037901P	Membrane Switch	
3	44041701	Relay/Buzzer Bracket	
4	70054	Nut	2 required
5	M412534	Relay	CE-models
6	00177	Male Tab Terminal	
7	D505447	Adjustable Buzzer	
8	44040201*	Control Mounting Bracket	Non-CE models
	44040202	Control Mounting Bracket	Non-CE models; Stainless steel
9	29787	Nut	4 required
10	44037801P	Electronic Control	
11	44041101	Control Plate Assembly	
12	7009P	Rotation Sensor Kit	
13	7010P	Rotation Sensor Kit	
14	70341801P	Control Panel Harness Assembly	Non-CE and non-Australian models
	70342001P	Control Panel Harness	CE and Australian models

* Add Letter To Designate Color. Q - Bisque W - White

DX4 Control Box - B Models with R3 Control Suffix



TMB3240P_70482101

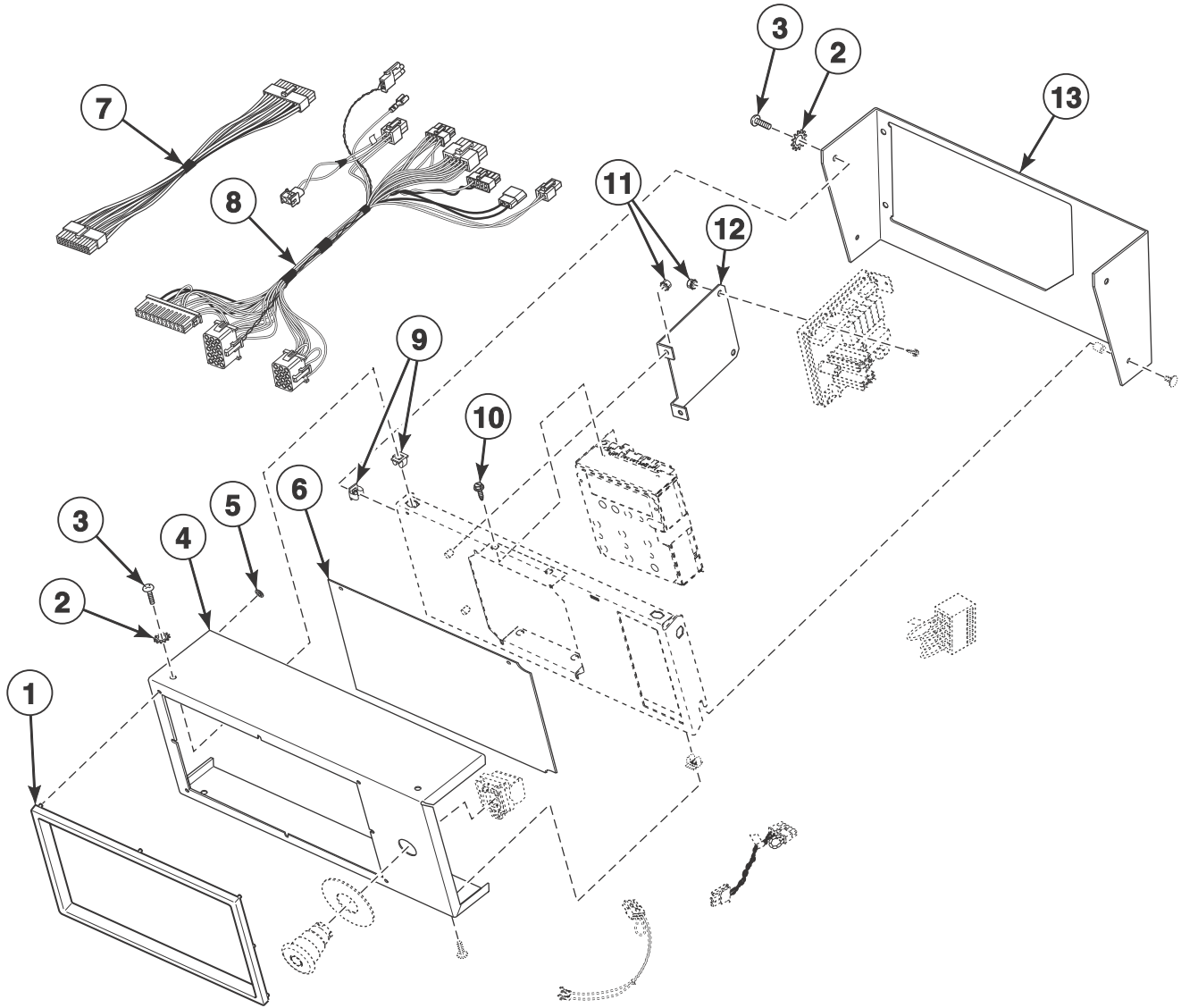
DX4 Control Box - B Models with R3 Control Suffix

REF	PART NO.	DESCRIPTION	COMMENTS
	M413930P	Ferrite Core Assembly	Use with item 11
1	44111701*	Control Cover	Non-CE models
	44111702	Control Cover	Non-CE models through 3/31/15; Stainless steel
	44111717	Control Cover	Non-CE models starting 4/1/15; Stainless steel
	44111705*	Control Cover	CE models
	44111706	Control Cover	CE models through 3/31/15; Stainless steel
	44111719	Control Cover	CE models starting 4/1/15; Stainless steel
2	44240501	Graphic Overlay	
3	44038601	Control Plate Assembly	CE models
4	44050601	Sleeve	4 required
5	70462307P	Control Assembly	
6	29787	Nut	4 required
7	44041701	Relay/Buzzer Bracket	
8	70054	Nut	
9	D501086	Screw	
10	M412534	Relay	CE models
11	00177	Male Tab Terminal	
12	70364103	Bypass Harness	Non-CE models
13	70485301	Control Panel Harness	Non-CE and non-Australian models
	70489901	Control Panel Harness	CE and Australian models
14	7010P	Rotation Sensor Kit	
15	7009P	Rotation Sensor Kit	

* Add Letter To Designate Color. Q - Bisque W - White

Exterior Control Box - RE Control Suffix (Drawing 1 of 2)

B, C, H, I, N, S and U Models
G, K, L, P and Y Models Starting 1/16/12



TMB3296P_70482101

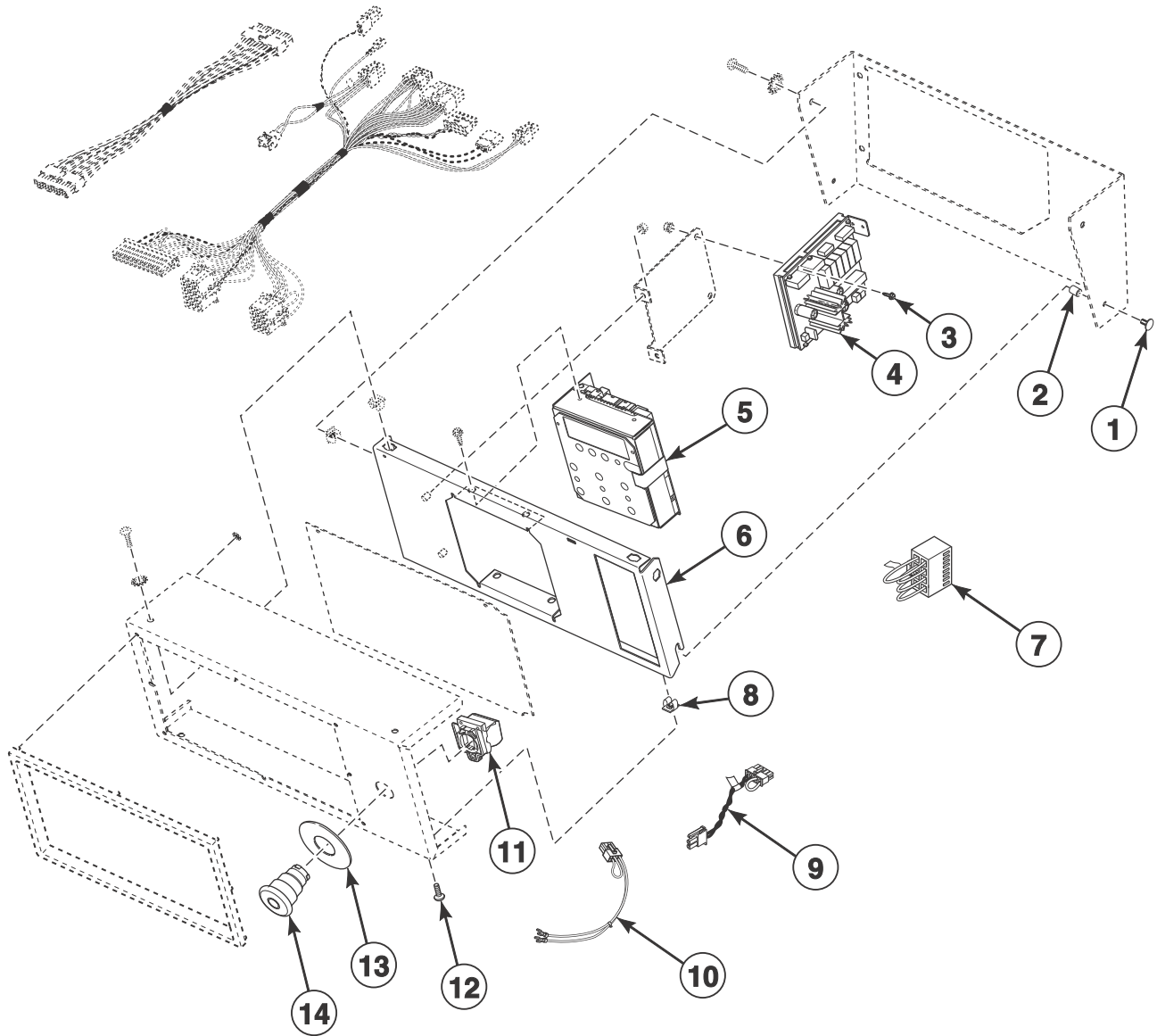
Exterior Control Box - RE Control Suffix (Drawing 1 of 2)

REF	PART NO.	DESCRIPTION	COMMENTS
	203346	USB IR Interface Kit	
1	44016401	Control Trim	N, S and U models; Black
	44016402	Control Trim	H models; Gray
2	03815	Washer	2 required
3	800930	Screw	6 required
4	44013315DG	Control Cover	Non-CE P models starting 10/1/14; Dark gray
	44111713LG	Control Cover	Non-CE U models; Light gray
	44013307*	Control Cover	Non-CE P models through 9/30/14; All other non-CE models
	44013308	Control Cover	Non-CE models through 3/31/15; Stainless steel
	44013317	Control Cover	Non-CE models starting 4/1/15; Stainless steel
	44013316DG	Control Cover	CE P models starting 10/1/14; Dark gray
	44111715LG	Control Cover	CE U models; Light gray
	44013311*	Control Cover	CE P models through 9/30/14; All other CE models
	44013312	Control Cover	CE models through 3/31/15; Stainless steel
	44013319	Control Cover	CE models starting 4/1/15; Stainless steel
5	M400977	Nut	
6	70445002	Overlay	S models
	70445004	Overlay	H models
	70462401	Overlay	B, C and I models; Models through 7/14/14
	70504901	Overlay	B, C and I models; Models starting 7/15/14
	70462701	Overlay	U models; Models through 8/17/14
	70493701	Overlay	U models; Models starting 8/18/14
	70462901	Overlay	G and K models
	70472401	Overlay	P models through 9/30/14
	70508601	Overlay	P models starting 10/1/14 through 5/31/15; L models starting 1/29/15 through 5/31/15
	70472201	Overlay	N and Y models; L models through 1/28/15
70526001	Overlay	L and P models starting 6/1/15	
7	44186101	Output Harness	Use between control assemblies
8	44240301	Control Panel Harness	Goes from control assembly to main harness
9	70030501	Expansion Clip	6 required per control plate
10	D501524	Screw	
11	70054	Nut	
12	44223101	Output Bracket	
13	44099504DG	Control Mounting Bracket	P models starting 10/1/14; Dark gray
	44099504LG	Control Mounting Bracket	U models; Light gray
	44099501W	Control Mounting Bracket	P models through 9/30/14; All other models
	44099502	Control Mounting Bracket	All models except P models through 3/31/15; Stainless steel
	44099505	Control Mounting Bracket	All models except P models starting 4/1/15; Stainless steel

* Add Letter To Designate Color. Q - Bisque W - White

Exterior Control Box - RE Control Suffix (Drawing 2 of 2)

B, C, H, I, N, S and U Models
G, K, L, P and Y Models Starting 1/16/12



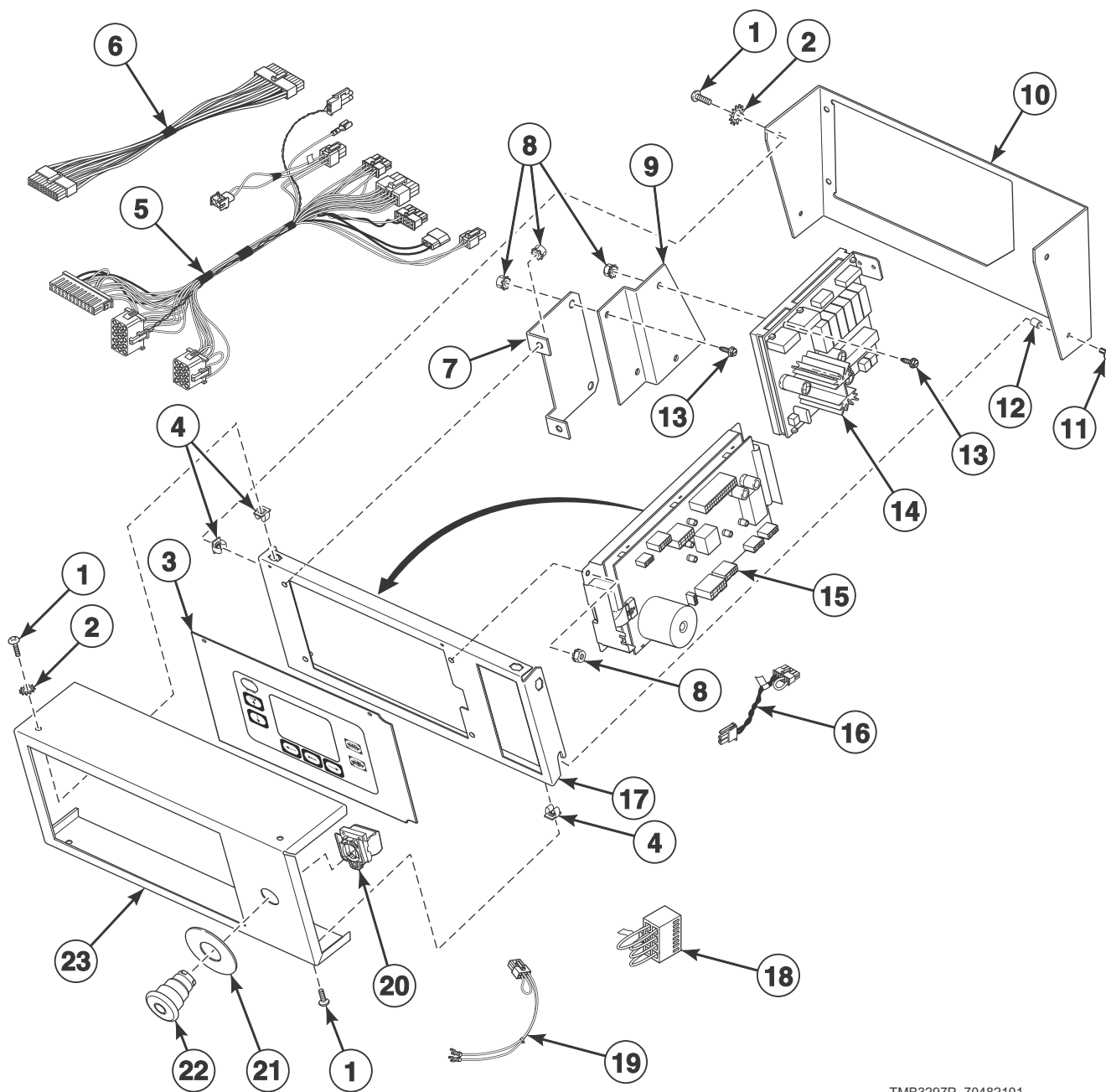
TMB3296PA_70482101

Exterior Control Box - RE Control Suffix (Drawing 2 of 2)

REF	PART NO.	DESCRIPTION	COMMENTS
1	430725	Pop Rivet	2 required
2	431264	Spacer	2 required
3	D501524	Screw	
4	70434101P	Control Assembly	
5	70454101P	Control Assembly	H, S and U models; L and P models starting 6/1/15
	70437102P	Control Assembly	B, C and I models; Models through 7/14/14
	70503702P	Control Assembly	B, C and I models; Models starting 7/15/14
	70437103P	Control Assembly	P models through 5/31/15; L models starting 1/29/15 through 5/31/15
	70437104P	Control Assembly	G and K models
	70437105P	Control Assembly	N and Y models; L models through 1/28/15
6	44185701	Control Plate and Studs Assembly	
7	70364103	Bypass Harness	Non-CE models
8	70030501	Expansion Clip	6 required per control plate
9	70324604	Jumper Calibration Wire	
10	70364106P	Emergency Stop Harness	CE models; 2 contacts
11	F200233400	Contact Block Switch	CE models; Models through 8/17/14
	F8069501	Contact Switch	CE models; Models starting 8/18/14
	F8538101	Contact Base	CE models; Models starting 8/18/14
12	800930	Screw	6 required
13	44012901	Emergency Stop Label	CE models
14	F200233500	Emergency Stop Pushbutton	CE models

Exterior Control Box - RU Control Suffix

U Models



TMB3297P_70482101

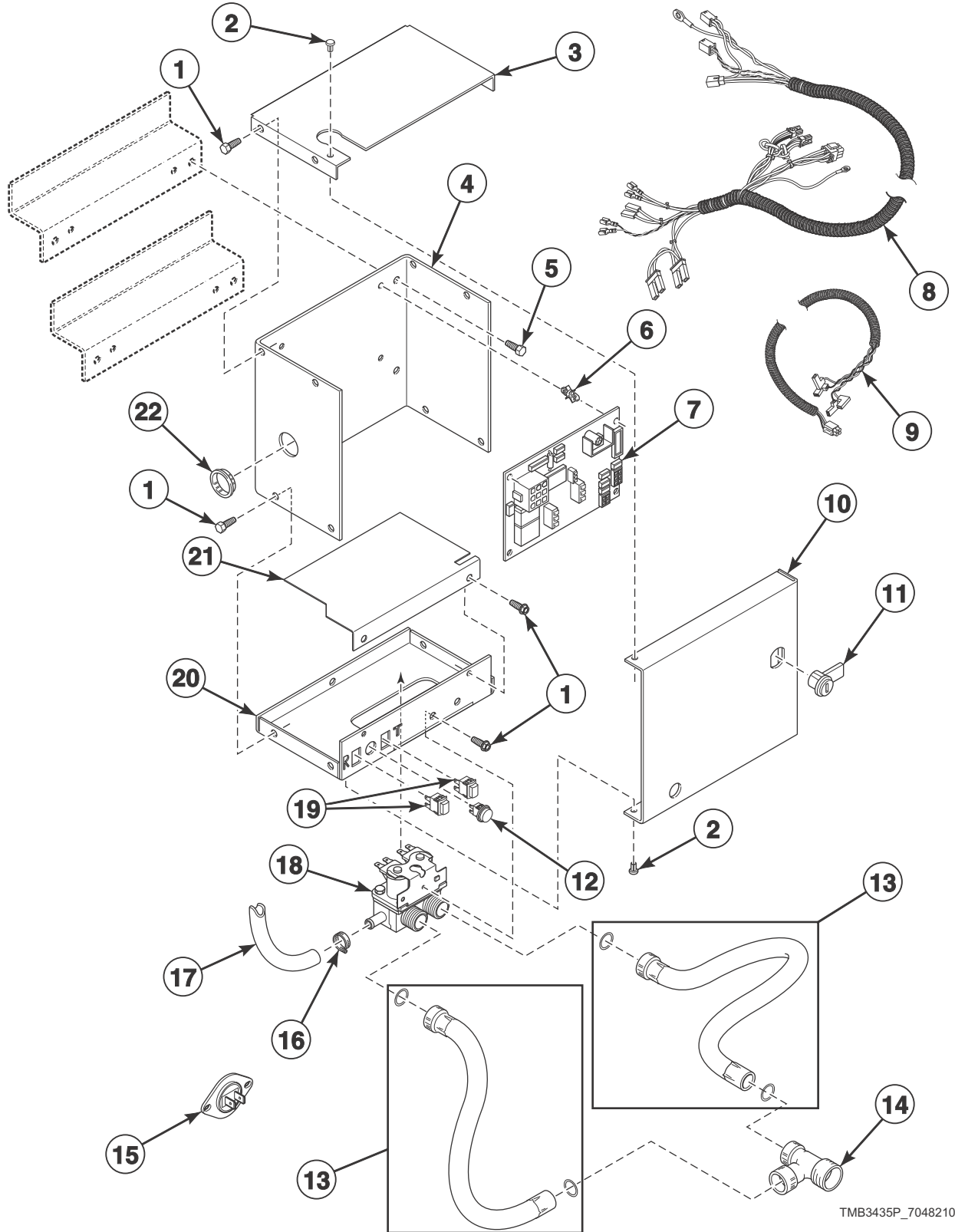
Exterior Control Box - RU Control Suffix

REF	PART NO.	DESCRIPTION	COMMENTS
	NK209	Network Retrofit Kit	Wired
	NK220	Network Controller Kit	Wired
	NK309	Wireless Network Kit	Wireless
	NK320	Ethernet Gateway Kit	Wireless
	NK330	USB Gateway Kit	Wireless
	203346	USB IR Interface Kit	
1	800930	Screw	6 required
2	03815	Washer	2 required
3	70432201	Overlay	Models through 8/17/14
	70499001	Overlay	Models starting 8/18/14
4	70030501	Expansion Clip	6 required per control plate
5	44240301	Control Panel Harness	Goes from item 15 to main harness
6	44186101	Output Harness	Use between item 14 and item 15
7	44223201	Output Bracket	
8	70054	Nut	
9	44223401	Output Bracket	
10	44099501W	Control Mounting Bracket	Models through 8/17/14
	44099504LG	Control Mounting Bracket	Models starting 8/18/14; Light gray
	44099502	Control Mounting Bracket	Models through 3/31/15; Stainless steel
	44099505	Control Mounting Bracket	Models starting 4/1/15; Stainless steel
11	430725	Pop Rivet	2 required
12	431264	Spacer	2 required
13	D501524	Screw	
14	70434101P	Control Assembly	
15	70454001P	Control Assembly	
16	70324604	Jumper Calibration Wire	
17	44224601	Control Plate Assembly	
18	70364103	Bypass Harness	Non-CE models
19	70364106P	Emergency Stop Harness	CE models; 2 contacts
20	F200233400	Contact Block Switch	CE models; Models through 8/17/14
	F8069501	Contact Switch	CE models; Models starting 8/18/14
	F8538101	Contact Base	CE models; Models starting 8/18/14
21	44012901	Emergency Stop Label	CE models
22	F200233500	Emergency Stop Pushbutton	CE models
23	44013307*	Control Cover	Non-CE models; Models through 8/17/14
	44111701*	Control Cover	Non-CE models; Models starting 8/18/14
	44111713LG	Control Cover	Non-CE models; Models starting 8/18/14
	44013308	Control Cover	Non-CE models; Models through 3/31/15; Stainless steel
	44013317	Control Cover	Non-CE models; Models starting 4/1/15; Stainless steel
	44013311*	Control Cover	CE models; Models through 8/17/14
	44111705*	Control Cover	CE steam models; Models starting 8/18/14
	44111703*	Control Cover	CE gas models; Models starting 8/18/14
	44111715LG	Control Cover	CE models; Models starting 8/18/14
	44013312	Control Cover	CE models; Models through 3/31/15; Stainless steel
44013319	Control Cover	CE models; Models starting 4/1/15; Stainless steel	

* Add Letter To Designate Color. Q - Bisque W - White

Fire Suppression System Control Box

B, C, G, H, I, K, L, P, S and U Models
Models Through 7/31/11 with a K, L, N, T, U or W in the 11th Character (ST170NRTF6K1W01)
Models Starting 8/1/11 with a C, D or Y in the 11th Character

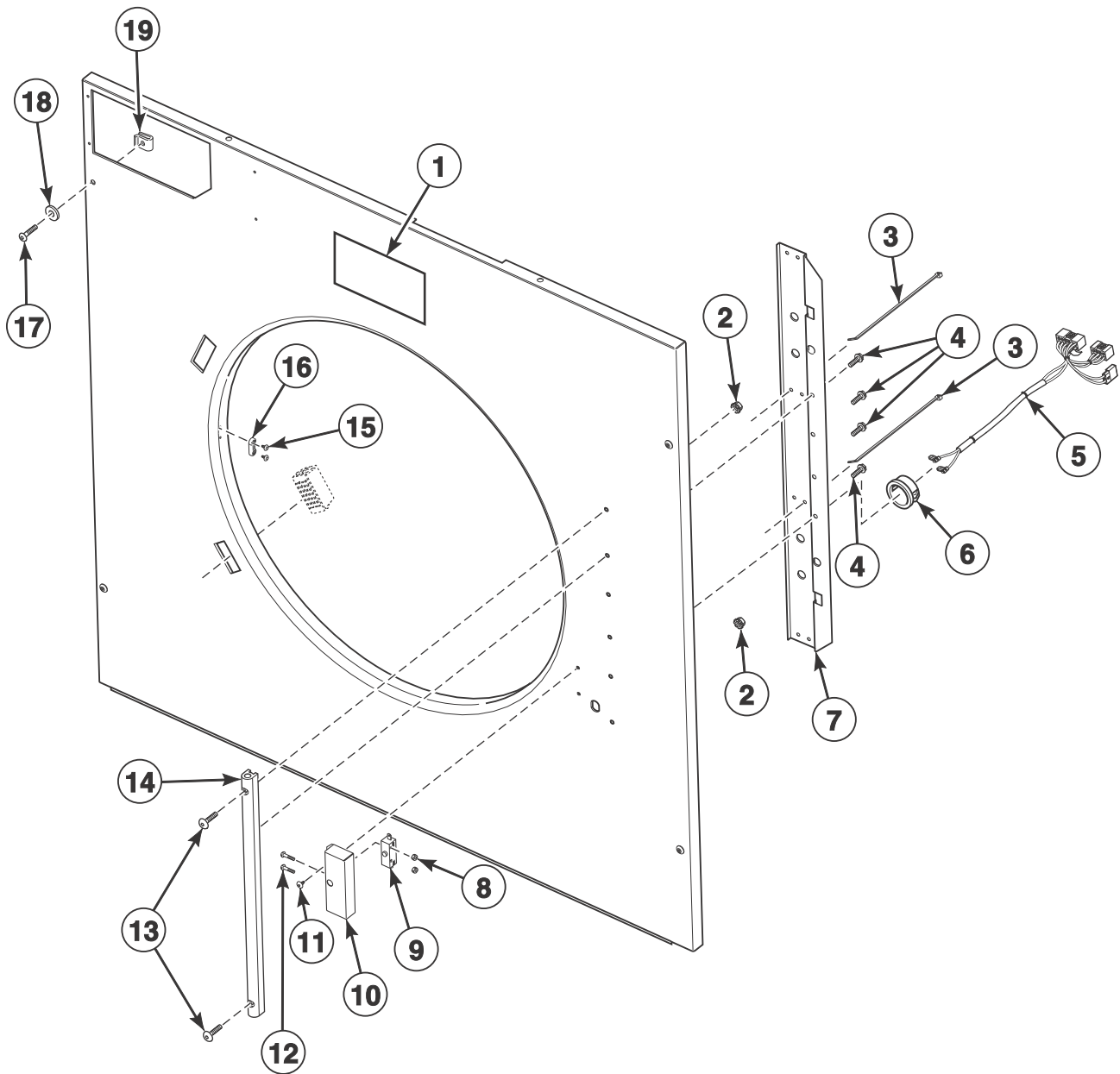


TMB3435P_70482101

Fire Suppression System Control Box

REF	PART NO.	DESCRIPTION	COMMENTS
	44079601	Manifold	Gas models
	44079602	Manifold	Steam models
1	430497	Screw	
2	M400713	Drive Rivet	
3	44065401	Control Box Top	Top
4	44065101	Control Box Housing	
5	51780	Screw	
6	D501523	Circuit Board Support	4 required
7	44063801P	Control	
8	44162601	Control Harness	
9	44166801	Sensor Harness Assembly	
10	44065201	Control Box Cover	
11	44089301P	Lock, Key and Nut Kit	RL001 key code
	70155601	Key	RL001
12	801432	Light	Red
13	F200116	Water Hose	Non-CE and non-Australian models; 2 required
	38349P	Fill Hose Kit	CE and Australian models
14	44069101	Hose Fitting	Non-CE and non-Australian models
15	44064701	Thermistor	2 required
16	36801	Hose Clamp	
17	44073303	Hose	31 inches; Outlet hose
18	36958P	Mixing Valve	
19	801434W	Push-to-Start Switch	2 required
20	44065301	Control Box Base	
21	44065701	Mixing Valve Shield Bracket	
22	70178701	Snap Bushing	

Cabinet Front Components

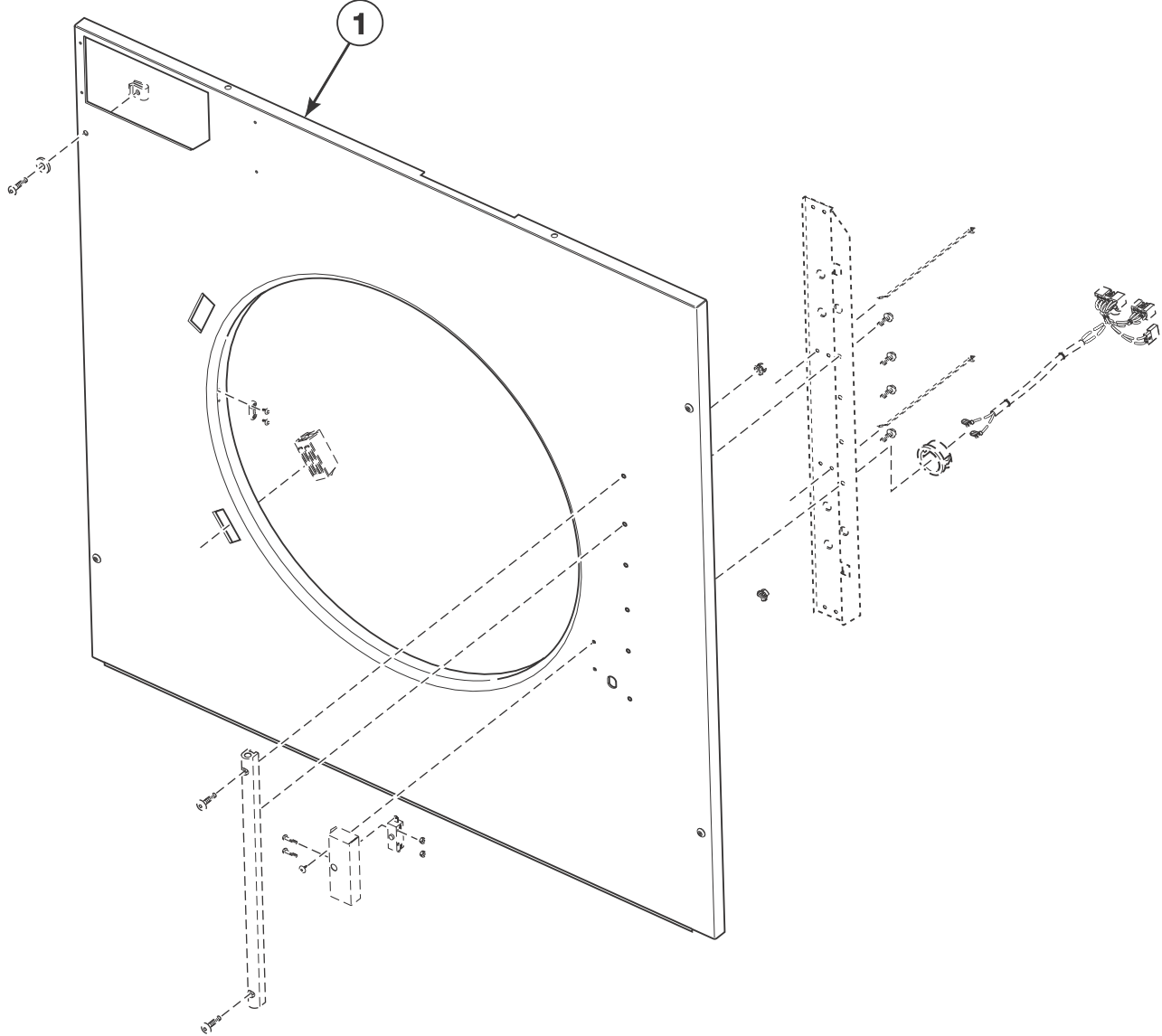


TMB3291P_70482101

Cabinet Front Components

REF	PART NO.	DESCRIPTION	COMMENTS
	298P4P	Spray Paint	White
	381P4	Spray Paint	Bisque
	382P4	Spray Paint	Cream
	122P4P	Porcelain Touch-Up Paint	White
	370P4P	Porcelain Touch-Up Paint	Bisque
1	44108201	Label	B, C, H, I, S and U models
	44128901	Fire Suppression System Label	G and K models
	44190901	Label	L and P models
2	29786	Nut	2 required
3	55881	Harness Strap	2 required; Front panel harness to door switch wire channel
4	44023301	Screw	4 required
5	44162501	Door Switch Harness	
6	M400770	Snap Bushing	Required for door switch harness going through frame
7	44001802	Door Switch Wire Channel	
8	02788	Nut	2 required
9	44018201	Door Switch	
10	44001301	Door Switch Cover	
11	431287	Screw	2 required
12	M402574	Screw	2 required
13	70033504	Screw	2 required
14	44035001	Door Hinge Lug Assembly	C, H, L, N, P, S, U, X and Y models; B and I models through 7/31/11; Includes bushings
	44035002	Door Hinge Lug Assembly	G and K models; B and I models starting 8/1/11; Black
15	44166601	Pop Rivet	2 required
16	M401223	Door Latch	
17	70182601	Screw	4 required per panel
18	800465	Washer	4 required per panel
19	70030401	Nut	Access and front panel attachment

Cabinet Front Panel

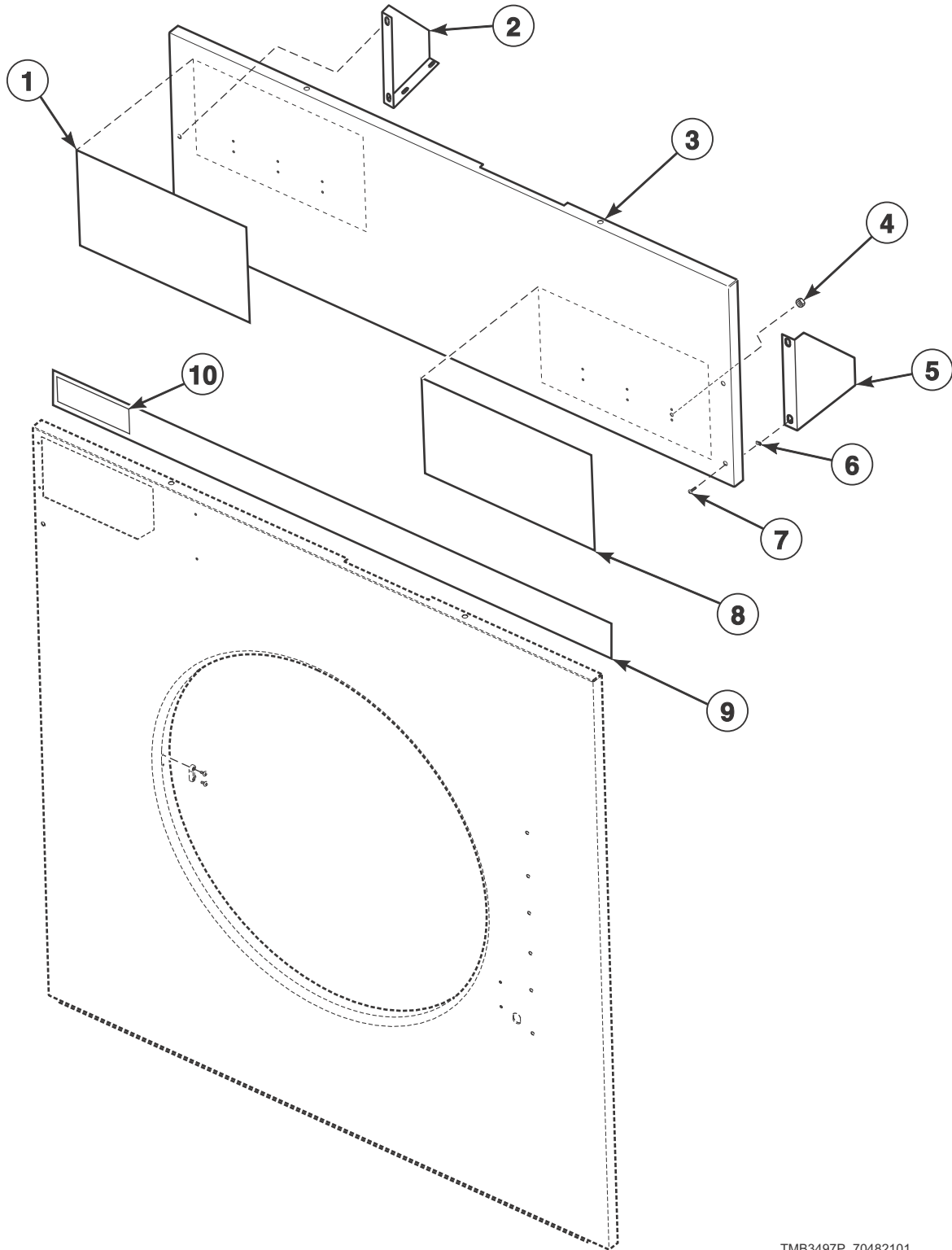


TMB3291PA_70482101

Cabinet Front Panel

REF	PART NO.	DESCRIPTION	COMMENTS
1	44012506DG	Front Panel	P models; Models starting 10/1/14; Dark gray
	44078101WP	Front Panel Assembly	P models through 9/30/14 and starting again 7/1/17; U models through 8/17/14; All other models
	44012502P	Front Panel	U models through 8/17/14; All other models through 3/31/15 ; Stainless steel
	44078103	Front Panel	All models except P and U models starting 4/1/15; Stainless steel
	44012503LG	Front Panel	U models; Models starting 8/18/14; Light gray
	44012504	Front Panel	U models; Models starting 8/18/14 through 3/31/15; Stainless steel
	44012508	Front Panel	U models; Models starting 4/1/15; Stainless steel
	44012505W	Front Panel	U models; Models starting 8/18/14; White

Cabinet Front Panels and Nameplates



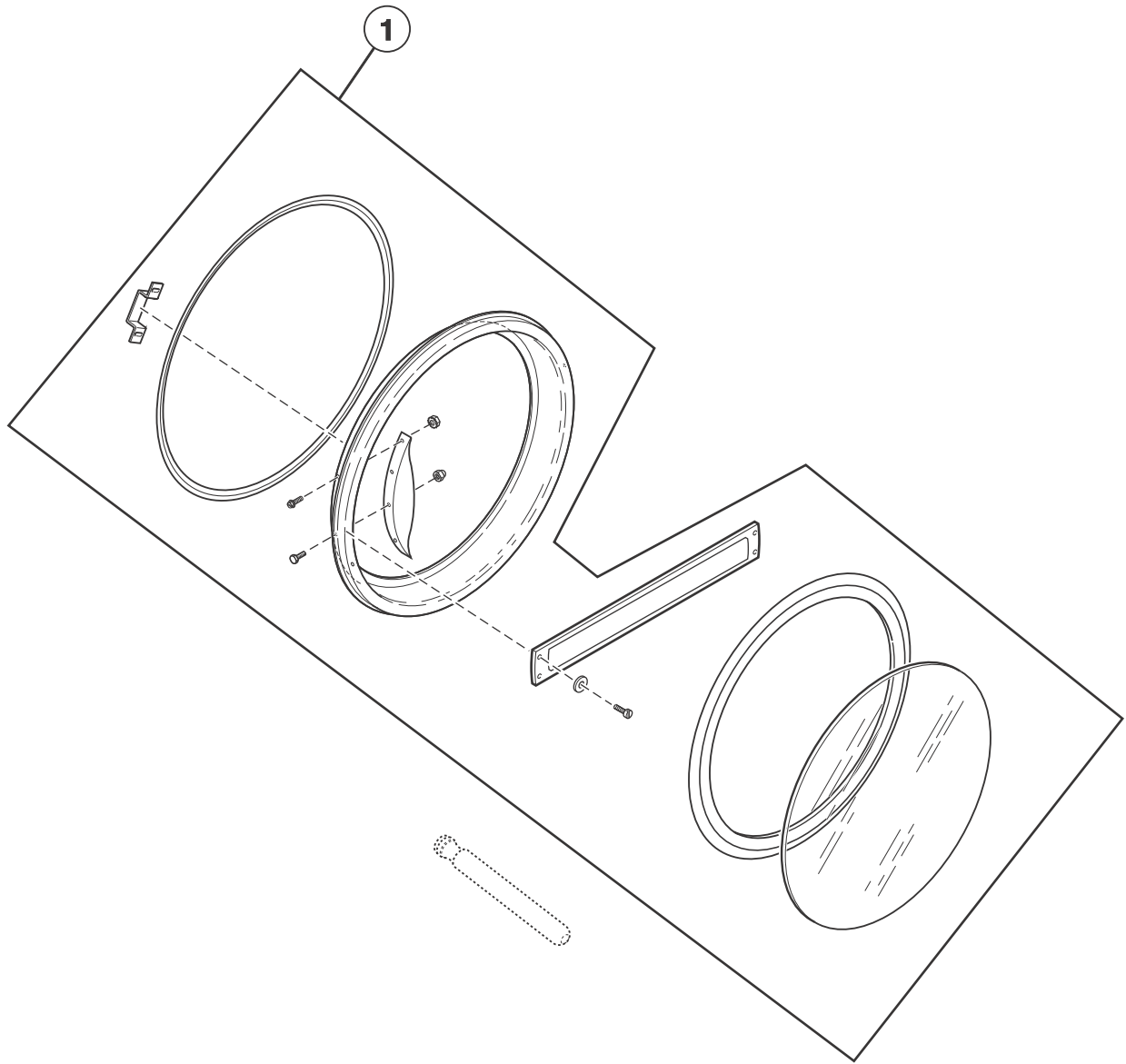
TMB3497P_70482101

Cabinet Front Panels and Nameplates

REF	PART NO.	DESCRIPTION	COMMENTS
	M4787P3	Front Access Panel and Door Hinge Kit	B and I models; To change from old look to new look
1	70348501	Nameplate	C models
	44046801	Nameplate	B and I models; Models through 7/9/12
	B12389801	Nameplate	B and I models; Models starting 7/10/12
2	44028302DG	Top Access Panel Gusset	P models starting 10/1/14; L models starting 1/29/15; Left; Dark gray
	44028302LG	Top Access Panel Gusset	U models; Left; Light gray
	44028302*	Top Access Panel Gusset	P models through 9/30/14; L models through 1/28/15; All other models; Left
3	44012701*P	Front Access Panel	LU models; P models through 9/30/14
	44012702P	Access Panel	L, XT and XU models through 3/31/15; PH, PK, PT and PU models through 9/30/14; Stainless steel
	44012713	Front Access Panel	L and P models; Models starting 4/1/15; Stainless steel
	44012712DG	Front Access Panel	P models; Models starting 10/1/14; Dark gray
	44012707*P	Front Access Panel	CK, CT, G, H, K, N, S, XT and Y models; CE B models through 7/31/11; I models through 7/31/11; U models through 8/17/14
	44012709LG	Front Access Panel	U models; Models starting 8/18/14; Light gray
	44012709B	Front Access Panel	B and I models starting 8/1/11
	44012708	Front Access Panel	CK, CT, HH, HK, HT, SH, SK, ST, UH, UK and UT models through 3/31/15; CE B models through 7/31/11; Stainless steel
	44012714	Front Access Panel	H, S, U and X models; Models starting 4/1/15; Stainless steel
4	M400977	Nut	L and P models require 2 for access panel trim; U models starting 8/18/14 require 5
5	44028301DG	Top Access Panel Gusset	P models starting 10/1/14; L models starting 1/29/15; Right; Dark gray
	44028301LG	Top Access Panel Gusset	U models; Right; Light gray
	44028301*	Top Access Panel Gusset	P models through 9/30/14; L models through 1/28/15; All other models; Right
6	70030401	Nut	
7	70182601	Screw	4 required
8	44010401	Nameplate	H models
	44010601	Nameplate	S models
	44235401	Nameplate Overlay	U models; Models through 8/17/14
	F8443102	Nameplate	U models; Models starting 8/18/14
	70128901	Nameplate Overlay	P models; Models through 9/30/14
	70509601	Nameplate	P models; Models starting 10/1/14
	70243901	Nameplate	L models; Models through 3/27/15
	70522001	Nameplate	L models; Models starting 3/28/15
	70410201	Nameplate Overlay	G models
	44130501	Nameplate Overlay	K models
44035801	Nameplate	X models	
44104501	Nameplate Overlay	Y models	
9	70399404	Access Panel Trim	G and K models; Mounts over front panel assembly and control panel
10	70414001	Label	G and K models; Coin

* Add Letter To Designate Color. Q - Bisque W - White

Door Assembly

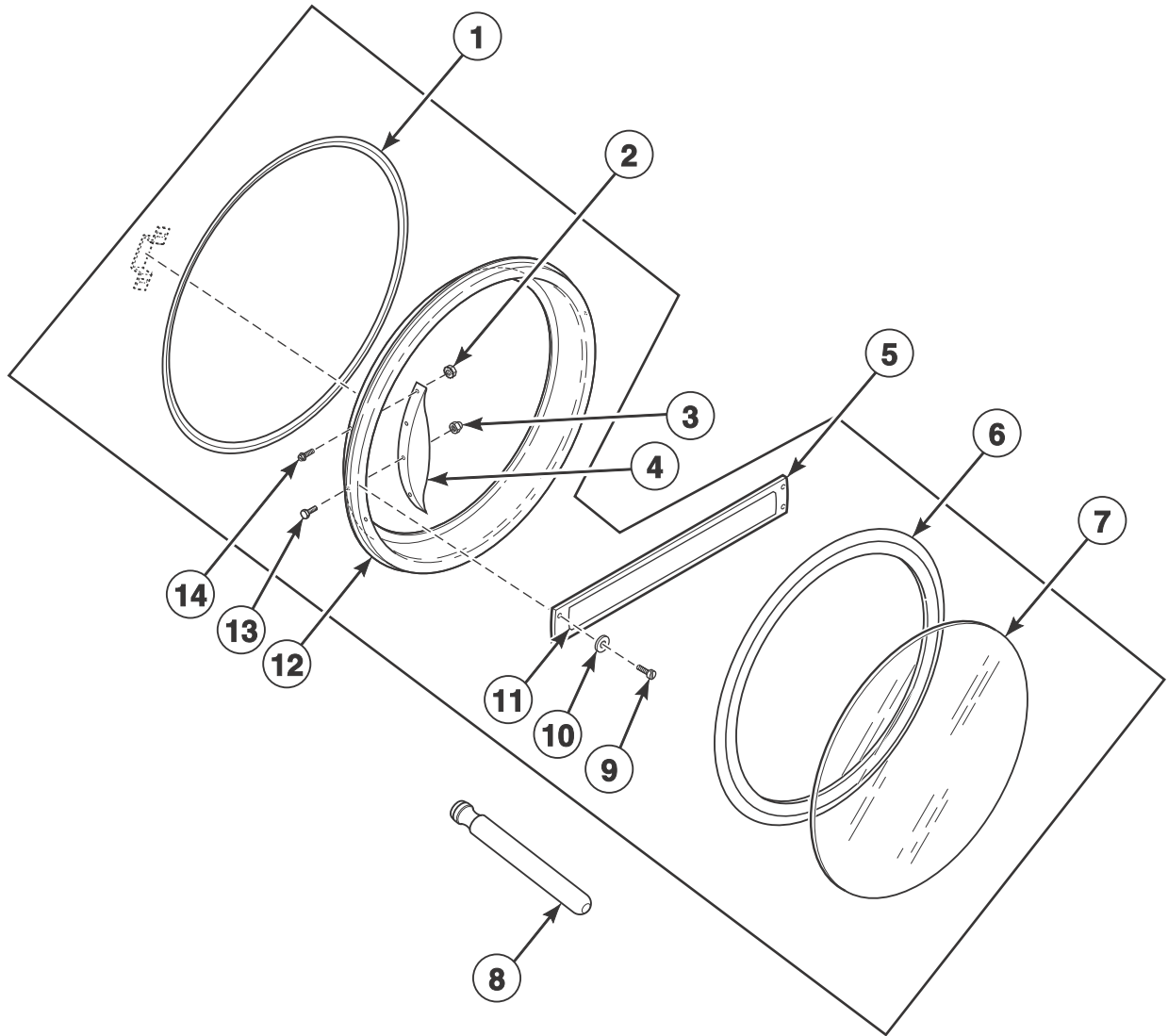


TMB3298P_70482101

Door Assembly

REF	PART NO.	DESCRIPTION	COMMENTS
1	44058102P	Door Assembly	H models
	44028902P	Door Assembly	N and S models; U models through 8/17/14
	44266701	Door Assembly	U models; Models starting 8/18/14
	44112101	Door Assembly	B, C and I models; Models through 7/31/11
	44028903	Door Assembly	B, C and I models; Models starting 8/1/11
	44029101	Door Assembly	X and Y models; P models through 9/30/14; L models through 1/28/15
	44292301LG	Door Assembly	P models starting 10/1/14; L models starting 1/29/15; Light gray
	44292301B	Door Assembly	P models starting 7/5/16; Use with stainless steel front panel; Black
	70407402	Door Assembly	G and K models

Door Components

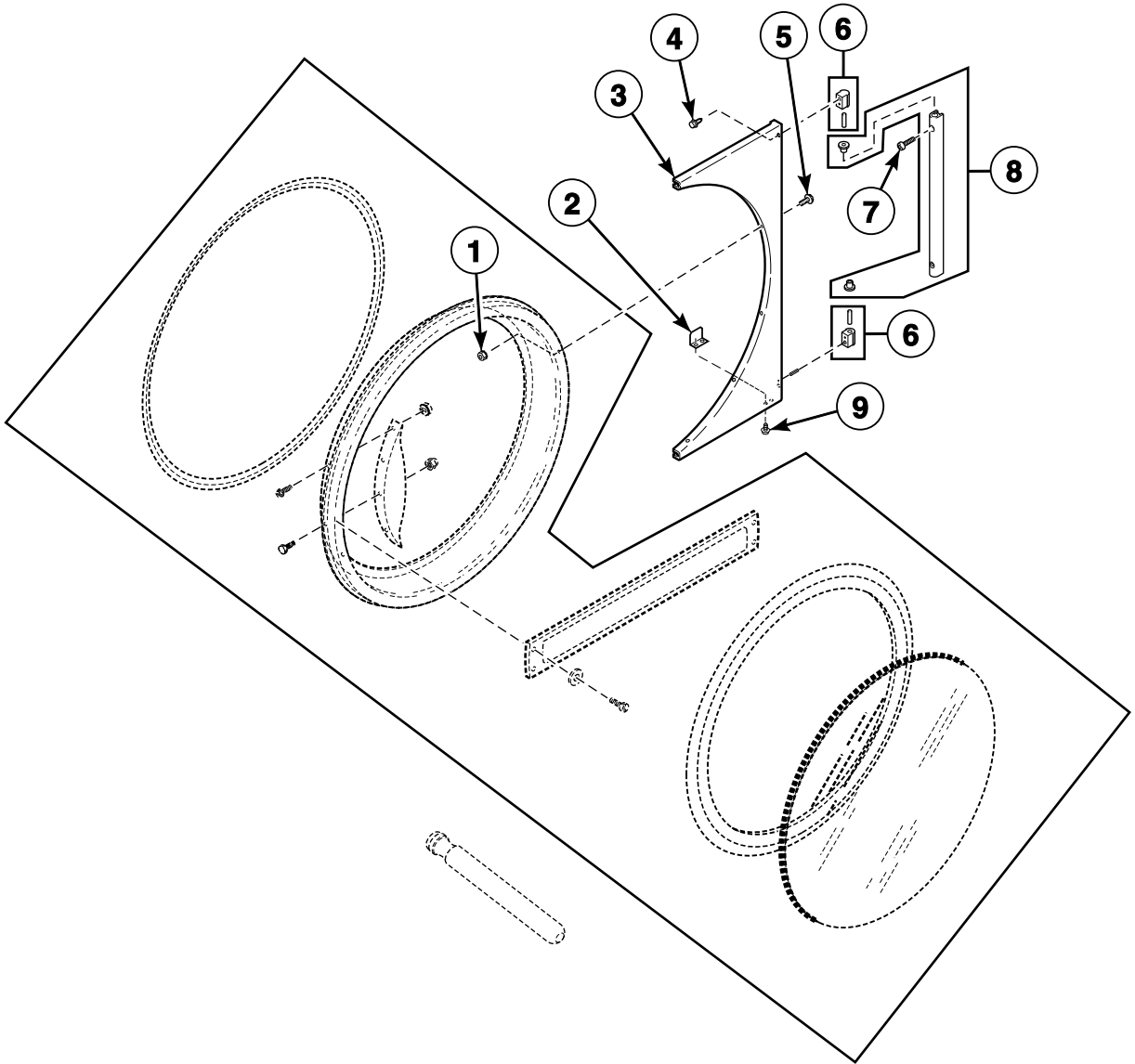


TMB3298PA_70482101

Door Components

REF	PART NO.	DESCRIPTION	COMMENTS
1	44008201P	Door Ring Gasket	
2	44071201	Nut	H, N and S models; 4 required
3	M414215	Nut	
4	44057702	Door Handle	H models
	44007901	Door Handle	N and S models; B, C and I models starting 8/1/11; U models through 8/17/14
	44263801	Door Handle	U models; Models starting 8/18/14; Use 901620 Screw, 803871 Screw and 44088001 Nut to attach
5	70399501B	Handle Bar	G and K models
6	70211902P	Door Seal Kit	Use Loctite 414 for seal
7	44008402P	Door Glass	H models
	44008401P	Door Glass	All other models
8	M4221P4	Door Glass Installation Tool	
9	70126301	Pop Rivet	G and K models; 4 required
10	70409301	Washer	G and K models; 2 required
11	70411401	Nameplate Overlay	G models; Coin
	44144401	Nameplate Overlay	K models; Coin
12	44326001	Door Ring Assembly	H, N and S models; P models through 9/30/14; U models through 8/17/14; L models through 1/28/15
	44326007LG	Door Ring and Handle Assembly	P models starting 10/1/14; L models starting 1/29/15; Light gray
	44326007B	Door Ring and Handle Assembly	P models starting 7/5/16; Use with stainless steel and white front panel; Black
	44326002	Door Ring Assembly	U models; Models starting 8/18/14
	44112001	Door Ring and Handle Assembly	B, C and I models through 7/31/11
	44326004B	Door Ring Assembly	B, C and I models starting 8/1/11
	44326003B	Door Ring Assembly	G and K models
13	M400661	Screw	Door strike
14	61199	Screw	H, N and S models; 4 required

Hinge Components



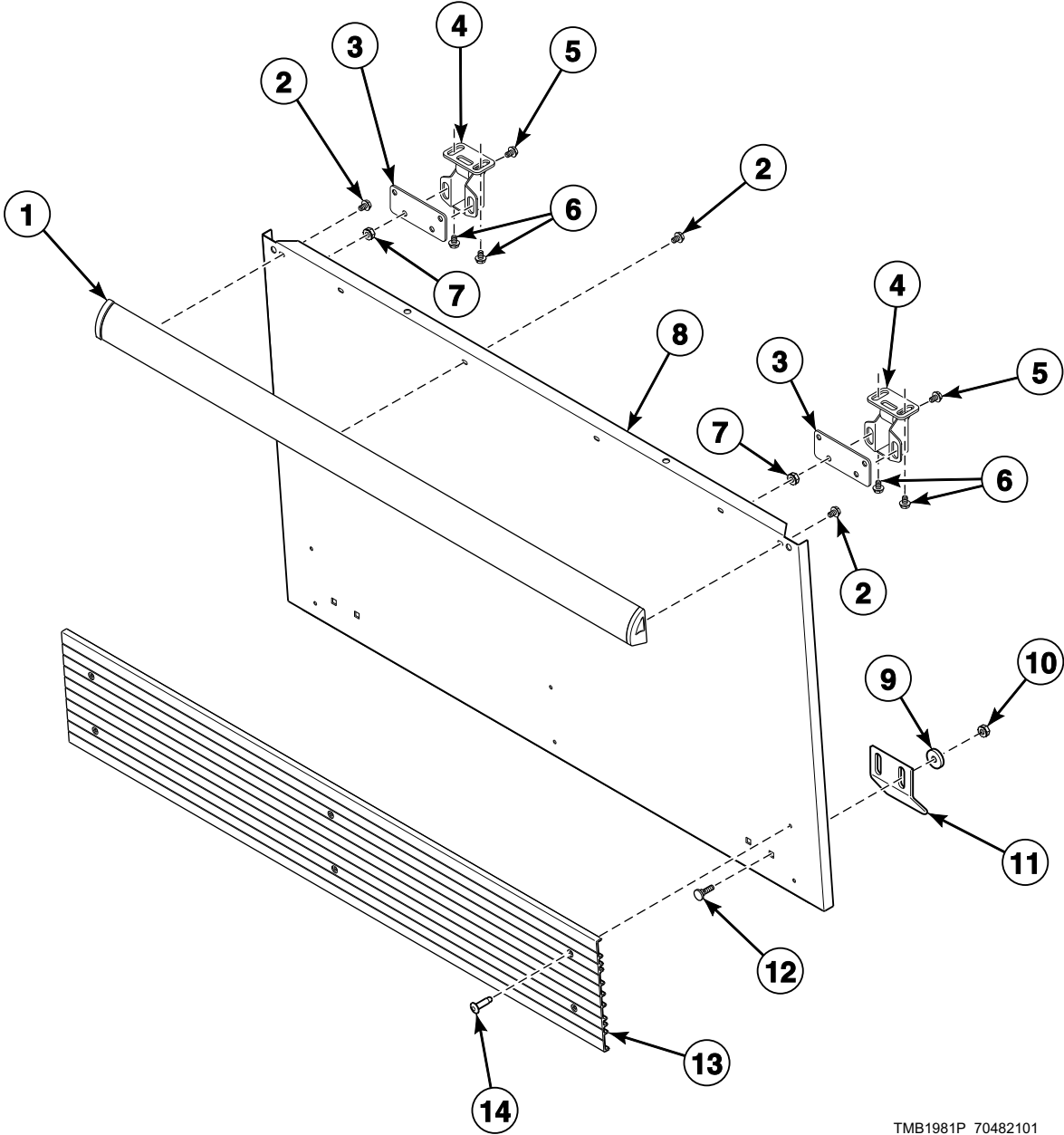
TMB3091P_70482101

Hinge Components

REF	PART NO.	DESCRIPTION	COMMENTS
	M4787P3	Front Access Panel and Door Hinge Kit	B and I models; To change from old look to new look
1	23951	Nut	6 required
2	70215001P	Door Switch Actuator Kit	
3	44075207B	Door Hinge	G and K models; B and I models starting 8/1/11; P models starting 7/1/17 with white front panel and starting 7/1/16 with stainless steel front panel
	44075201*	Door Hinge Assembly	H, N, S, U and Y models; C models starting 8/1/11; P models through 9/30/14; L models through 1/28/15
	44075207LG	Door Hinge Assembly	L, P and U models; Light gray
	44075202	Door Hinge Assembly	C, H, S, U and Y models through 3/31/15; B and I models through 7/31/11; P models through 9/30/14; L models through 1/28/15; Stainless steel
	44075210	Door Hinge Assembly	H, S, U and Y models starting 4/1/15; Stainless steel
4	70442101	Screw	3 required
5	M400044	Screw	6 required
6	M4773P3	Cam and Hinge Kit	G and K models; B and I models starting 8/1/11; P models starting 7/1/17 with white front panel and starting 7/1/16 with stainless steel front panel
	M4772P3	Cam and Hinge Kit	C, H, L, N, P, S, U and Y models; B and I models through 7/31/11
7	70409801	Screw	G and K models; B and I models starting 8/1/11; P models starting 7/1/17 with white front panel and starting 7/1/16 with stainless steel front panel; 2 required
	70033504	Screw	C, H, L, N, P, S, U and Y models; B and I models through 7/31/11; 2 required
8	44035002	Door Hinge Lug Assembly	G and K models; B and I models starting 8/1/11; P models starting 7/1/17 with white front panel and starting 7/1/16 with stainless steel front panel; Black
	44035001	Door Hinge Lug Assembly	C, H, L, N, P, S, U and Y models; B and I models through 7/31/11
9	70058501	Pop Rivet	2 required

* Add Letter To Designate Color. Q - Bisque W - White

Lint Panel Components



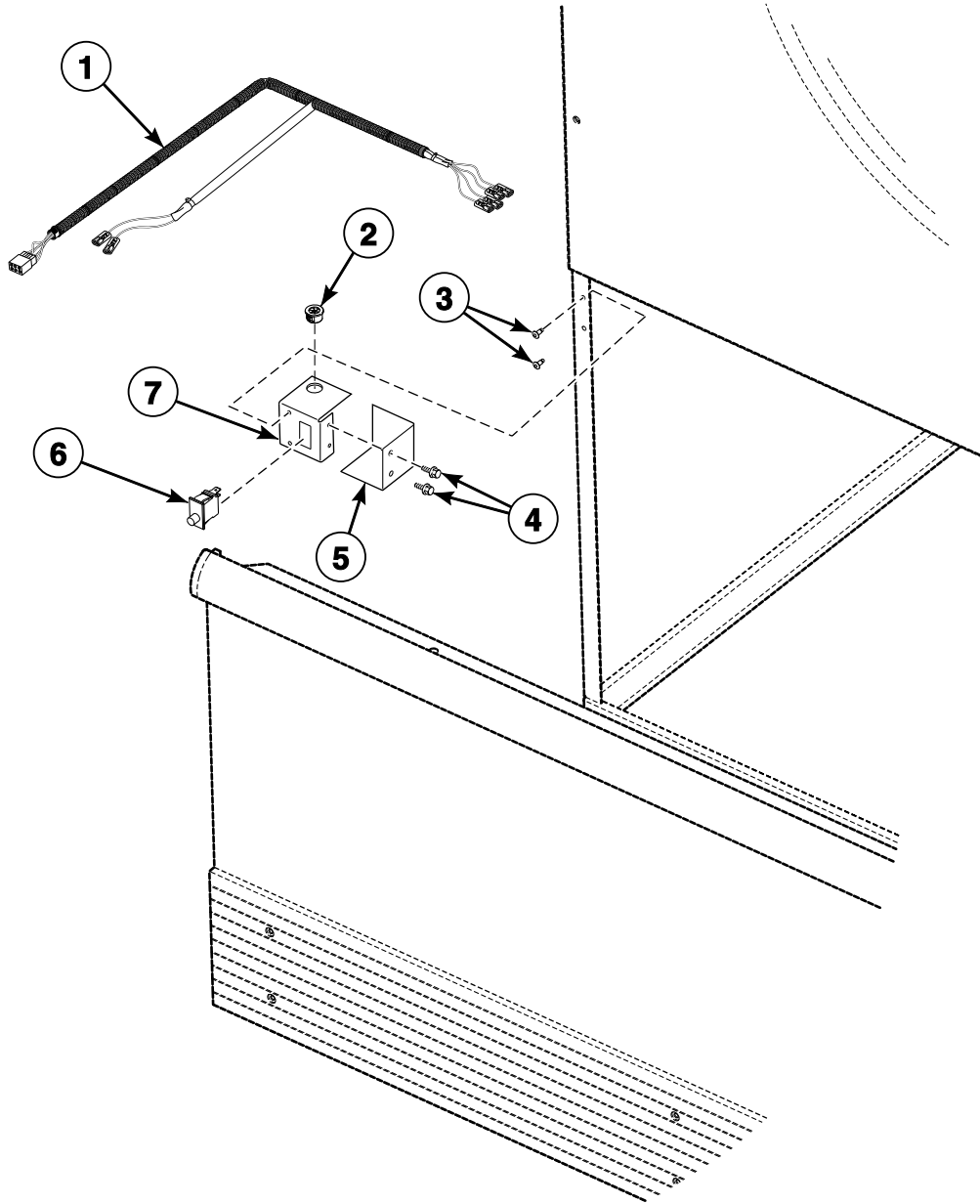
TMB1981P_70482101

Lint Panel Components

REF	PART NO.	DESCRIPTION	COMMENTS
1	44049903	Handle and Caps Assembly	B, C, I, N, S, U, X and Y models; L models through 1/28/15; P models through 9/30/14 and starting again 7/1/17 with white front panel and starting 7/1/16 with stainless steel front panel; Black
	70407212	Handle Bumper	P models starting 10/1/14; L models starting 1/29/15
	44049904	Handle and Caps Assembly	H and U models; Gray
	70407204	Handle Bumper	G and K models; Black and blue; Does not have endcaps
2	430757	Screw	6 required
3	44014001	Roller Catch Mounting Bracket	2 required
4	H87020202	Roller Catch	2 required; Includes strike
5	61199	Screw	8 required
6	D501086	Screw	4 required
7	70054	Nut	8 required
8	44012304DG	Lint Panel	P models; Models starting 10/1/14; Dark gray
	44012304	Lint Panel	P models; Models starting 10/1/14; Cold rolled steel
	44012305	Lint Panel	P models; Models starting 10/1/14 through 3/31/15; Stainless steel
	44012307	Lint Panel	P models; Models starting 4/1/15; Stainless steel
	44012301*P	Lint Panel	P models through 9/30/14; All other models
	44012302P	Lint Panel	P models through 9/30/14; All other models through 3/31/15; Stainless steel
	44012306	Lint Panel	All models except P models starting 4/1/15; Stainless steel
44012303LG	Lint Panel	U models; Light gray	
9	M405535	Washer	4 required
10	44087101	Nut	4 required
11	44017801	Lint Panel Clip	2 required
12	44017901	Bolt	4 required
13	70117611	Kickplate	B, C, G, I, K, L, N, P, S, X and Y models; U models through 8/17/14; Black
	70117612	Kickplate	H models; U models starting 8/18/14; Gray
14	70126301	Pop Rivet	B, C, G, I, K, L, N, P, S, X and Y models; U models through 8/17/14; Black; 6 required
	70126401	Pop Rivet	H models; U models starting 8/18/14; Gray; 6 required

* Add Letter To Designate Color. Q - Bisque W - White

Lint Panel Switch Assembly

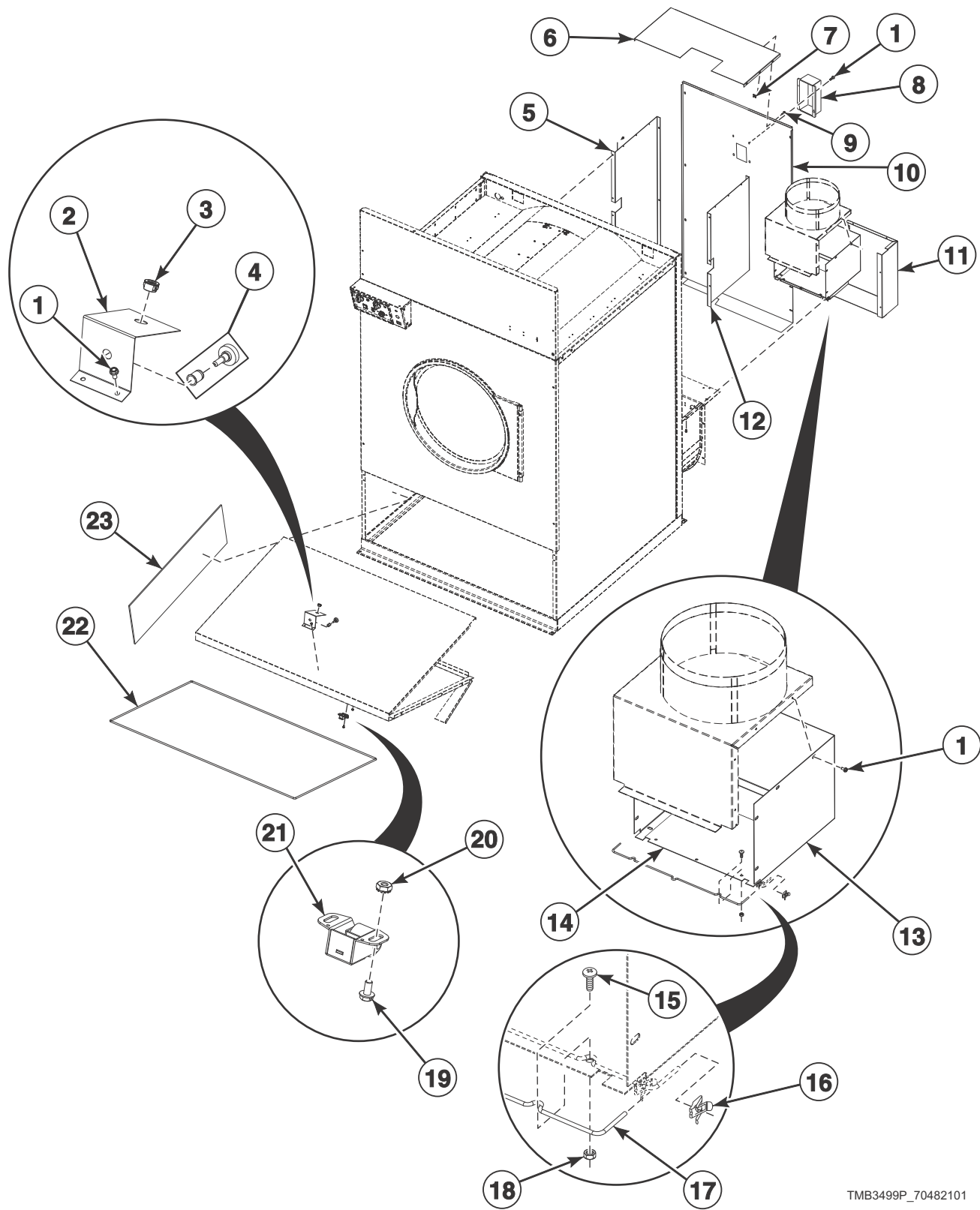


TMB2992P_70482101

Lint Panel Switch Assembly

REF	PART NO.	DESCRIPTION	COMMENTS
1	44162801	Base Harness	
2	M411537	Bushing	
3	430725	Pop Rivet	2 required
4	430497	Screw	2 required
5	44026801	Lint Panel Switch Cover	
6	70413401	Switch Assembly	With boot
7	44013401	Lint Panel Switch Bracket	

Lint Screen and Drive Guard



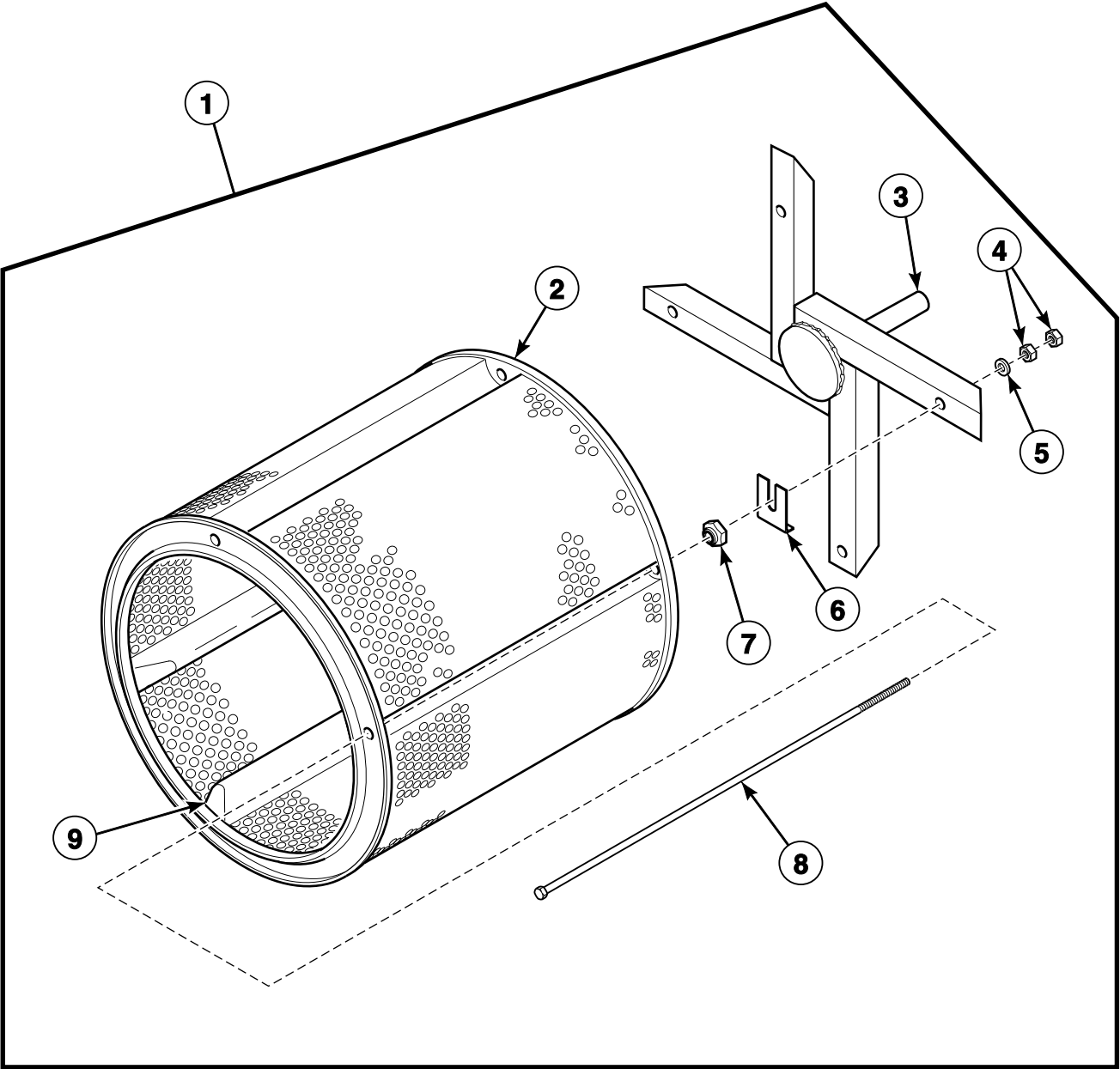
TMB3499P_70482101

Lint Screen and Drive Guard

REF	PART NO.	DESCRIPTION	COMMENTS
1	430497	Screw	
2	44051301	Thermistor Bracket Assembly	Includes bracket and thermistor nut
3	M411537	Bushing	2 required for thermistor harness and cabinet rear
4	M414704	Thermistor	
5	44160001	Belt Guard Side	Left; Use 70015709 Gasket on edges
6	44159701	Belt Guard	Top
7	M400984	Clip	12 required
8	44222501	Guard Extension	Moisture sensing
9	M411072	Screw	12 required
10	44159901	Belt Guard	Non-moisture sensing
	44159902	Belt Guard	Moisture sensing
11	44159801	Belt Guard	Corner
12	44160101	Belt Guard Side	Right
13	M412391	Exhaust Duct Box Wrap	
14	M413402	Damper Vane	
15	M400044	Screw	3 required
16	M400976	Clip	
17	M413401	Damper Rod	
18	23951	Nut	3 required
19	61199	Screw	
20	70054	Nut	
21	H87020202	Roller Catch	Includes strike
22	44063603P	Lint Screen	Includes frame
	44077703P	Lint Screen	Includes snaps; Frame not included
23	M411593	Insulation	

* Add Letter To Designate Color. Q - Bisque W - White

Cylinder and Trunnion Assembly

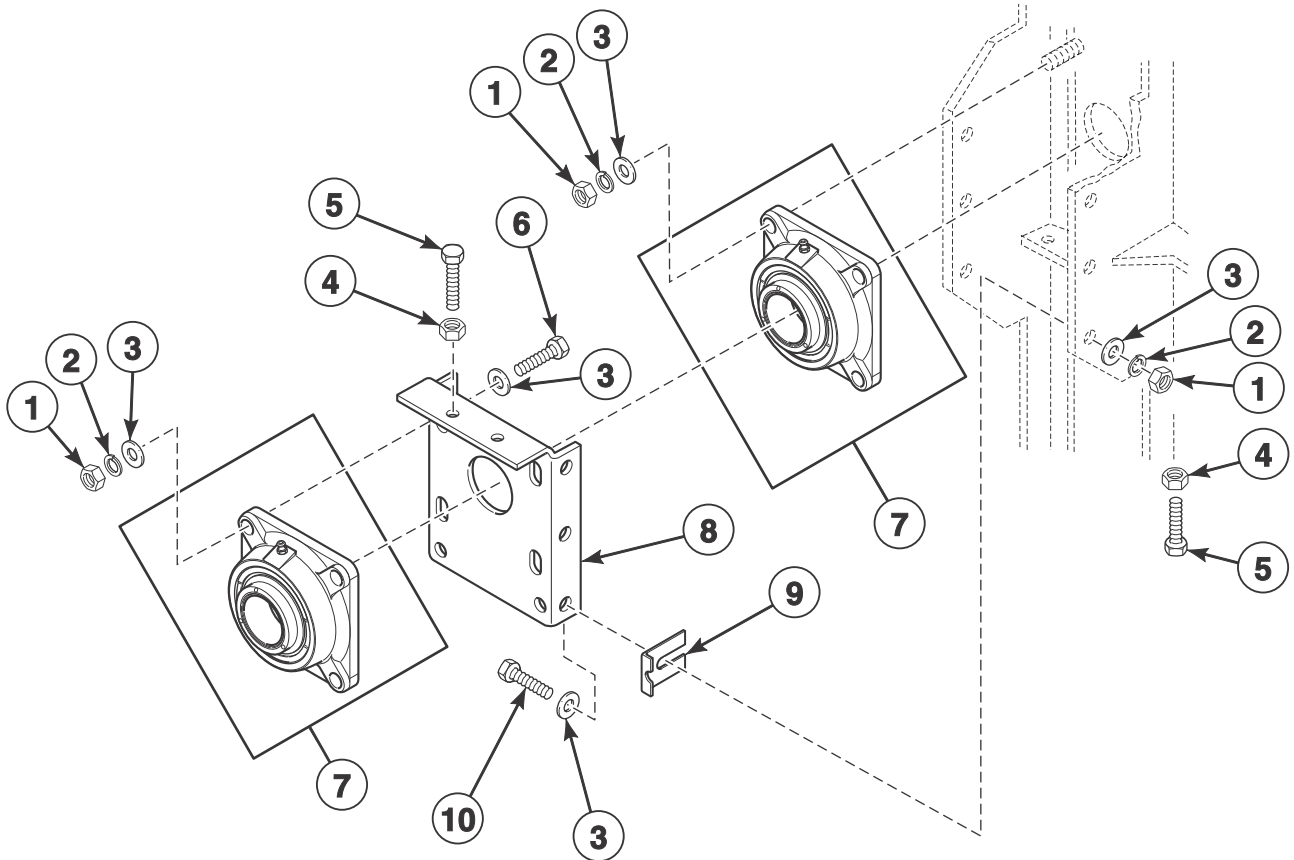


TMB1811B_70482101

Cylinder and Trunnion Assembly

REF	PART NO.	DESCRIPTION	COMMENTS
1	44054701	Cylinder and Trunnion Assembly	Galvanized; Non-moisture sensing
	44192001	Cylinder and Trunnion Assembly	Galvanized; Moisture sensing
	44054702	Cylinder and Trunnion Assembly	Stainless steel; Non-moisture sensing
	44192002	Cylinder and Trunnion Assembly	Stainless steel; Moisture sensing
2	H96367545	Cylinder Assembly	Galvanized; Includes items 4 and 8; Non-moisture sensing
	44191101	Cylinder Assembly	Galvanized; Moisture sensing
	M409826	Cylinder Assembly	Stainless steel; Includes items 4 and 8; Non-moisture sensing
	44191102	Cylinder Assembly	Stainless steel; Moisture sensing
3	44240801	Trunnion Assembly	Non-moisture sensing
	44240802	Trunnion Assembly	Moisture sensing
4	H88412101	Nut	8 required
5	70261401	Washer	4 required
6	M401402	Spacer	As required
7	M412334	Nut	4 required
8	H8830143H	Bolt	4 required
9	44191204	Cylinder Rib Assembly	Moisture sensing

Trunnion Bearings

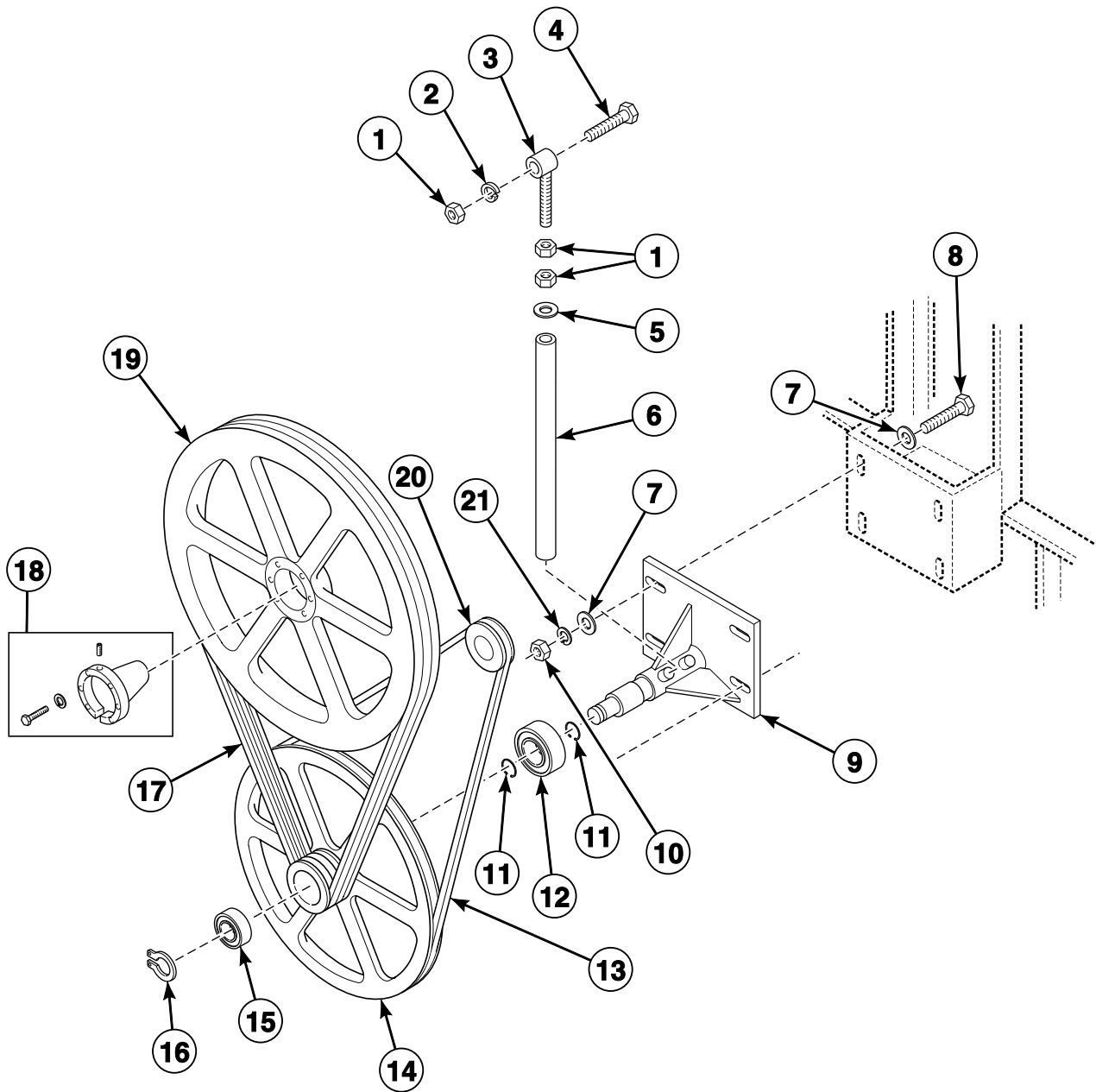


TMB3251P_70482101

Trunnion Bearings

REF	PART NO.	DESCRIPTION	COMMENTS
1	H88412101	Nut	
2	M400015	Washer	
3	70261401	Washer	
4	20274	Nut	
5	H88213996	Screw	
6	M411165	Screw	
7	44048301P	Flange Bearing	
8	H96428008	Bearing Mounting	
9	M401402	Spacer	As required
10	H88012034	Screw	

Drive Sheave, Step Pulley and Belts

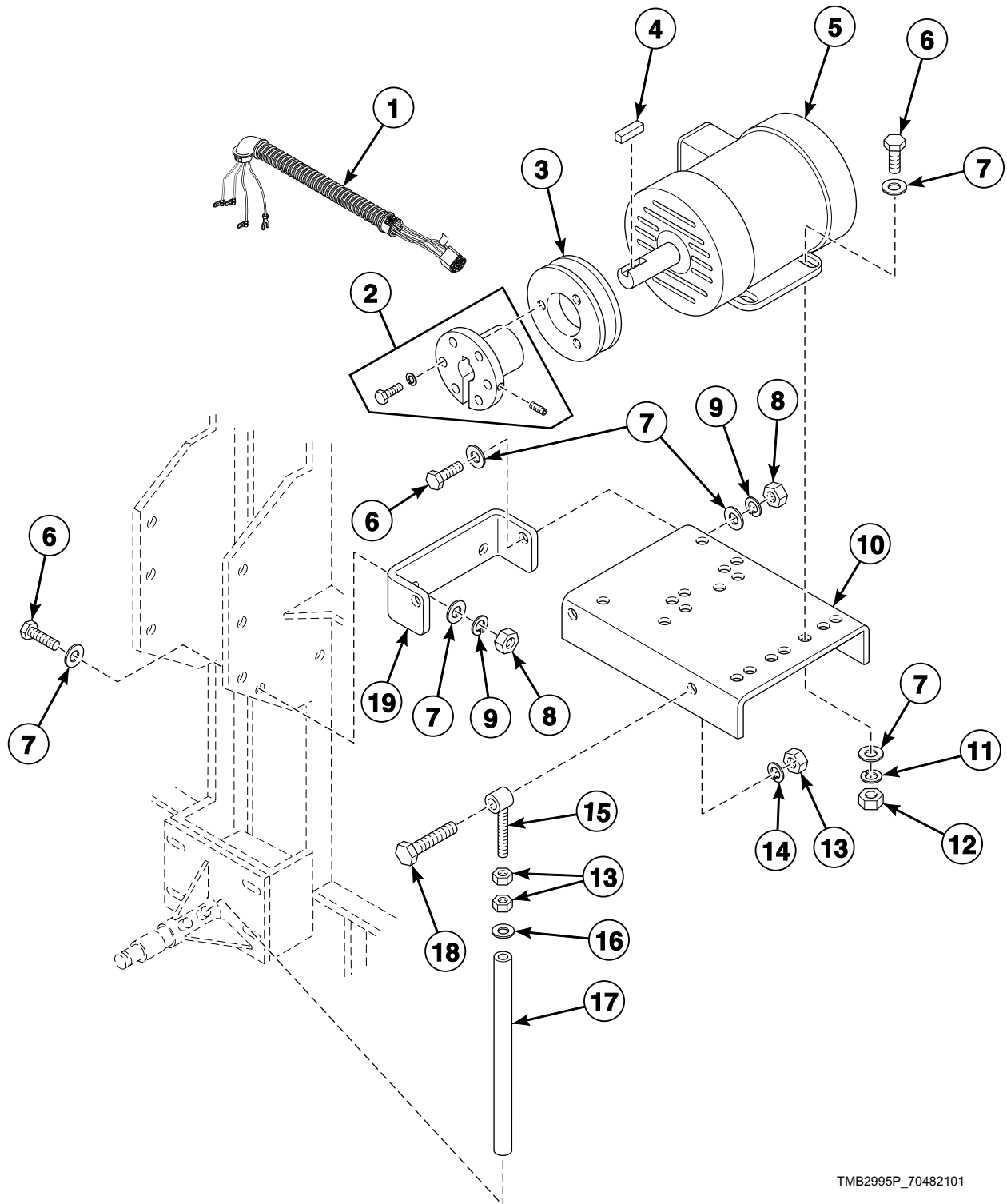


TMB2585P_70482101

Drive Sheave, Step Pulley and Belts

REF	PART NO.	DESCRIPTION	COMMENTS
1	H88412101	Nut	
2	M400015	Washer	
3	44048501	Rod End	Eyebolt assembly
4	M400063	Screw	
5	70261401	Washer	
6	H96428487	Belt Adjustment Tube	
7	M400081	Washer	8 required
8	22688	Screw	4 required
9	H96357751	Jackshaft Assembly	
10	20274	Nut	4 required
11	H88603477	Retaining Ring	Step pulley bearings stops; 2 required
12	H87672374	Ball Bearing	Inner; Step pulley
13	H87533014	Belt	
14	M4696P3	Step Pulley and Bearing Kit	Includes H96428024 Step Pulley, M414321 Spacer, M4718P3 Step Pulley Outer Bearing Kit and items 11, 12 and 15
15	M414367	Ball Bearing	Outer
16	H88602263	Retaining Ring	Step pulley to jackshaft
17	H87533816P	Belt Set	Set of 3
18	H8752985HP	Bushing	Includes M400014 Washer, 44048902 Screw and 44079204 Screw
19	H8752251H	Sheave	
20	H8752026H	Sheave	50 Hertz; 2.65 inch OD
	H87520334	Sheave	60 Hertz; 3.35 inch OD
21	M400014	Washer	4 required

Cylinder Drive Motor

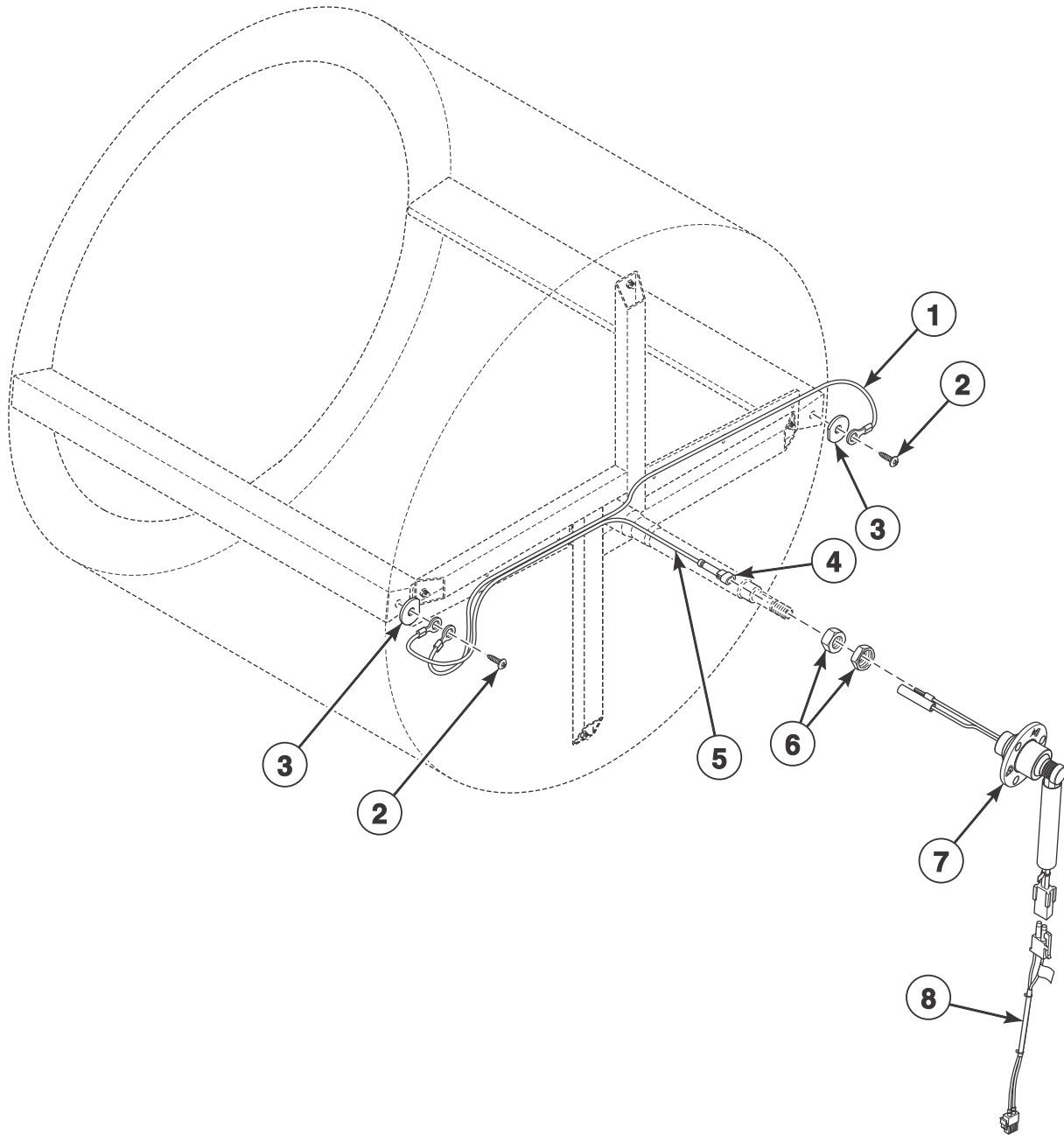


TMB2995P_70482101

Cylinder Drive Motor

REF	PART NO.	DESCRIPTION	COMMENTS
1	44162901	Cylinder Motor Harness	
2	H87529129P	Bushing	Includes 44079202 Screw, 44048902 Screw and 03189 Washer; Key not included
3	H87520334	Sheave	60 Hertz; 3.35 inch OD
	H8752026H	Sheave	50 Hertz; 2.65 inch OD
4	H8752006H	Key	
5	44052901P	Motor	208-460 Volt/60 Hertz/3 Phase; Includes key; No capacitor
	44053001P	Motor	200-415 Volt/50 Hertz/3 Phase; Includes key; No capacitor
	44157601	Motor	380 Volt/60 Hertz/3 Phase; Includes key; No capacitor
6	M400056	Screw	
7	M400080	Washer	
8	M412986	Nut	
9	M400014	Washer	
10	M413171	Motor Base	
11	M400013	Washer	
12	70142	Nut	
13	H88412101	Nut	
14	M400015	Washer	
15	44048501	Rod End	Eyebolt assembly
16	70261401	Washer	
17	H96428487	Belt Adjustment Tube	
18	M400063	Screw	
19	H96428693	Base Bracket	

Moisture Sensing Components

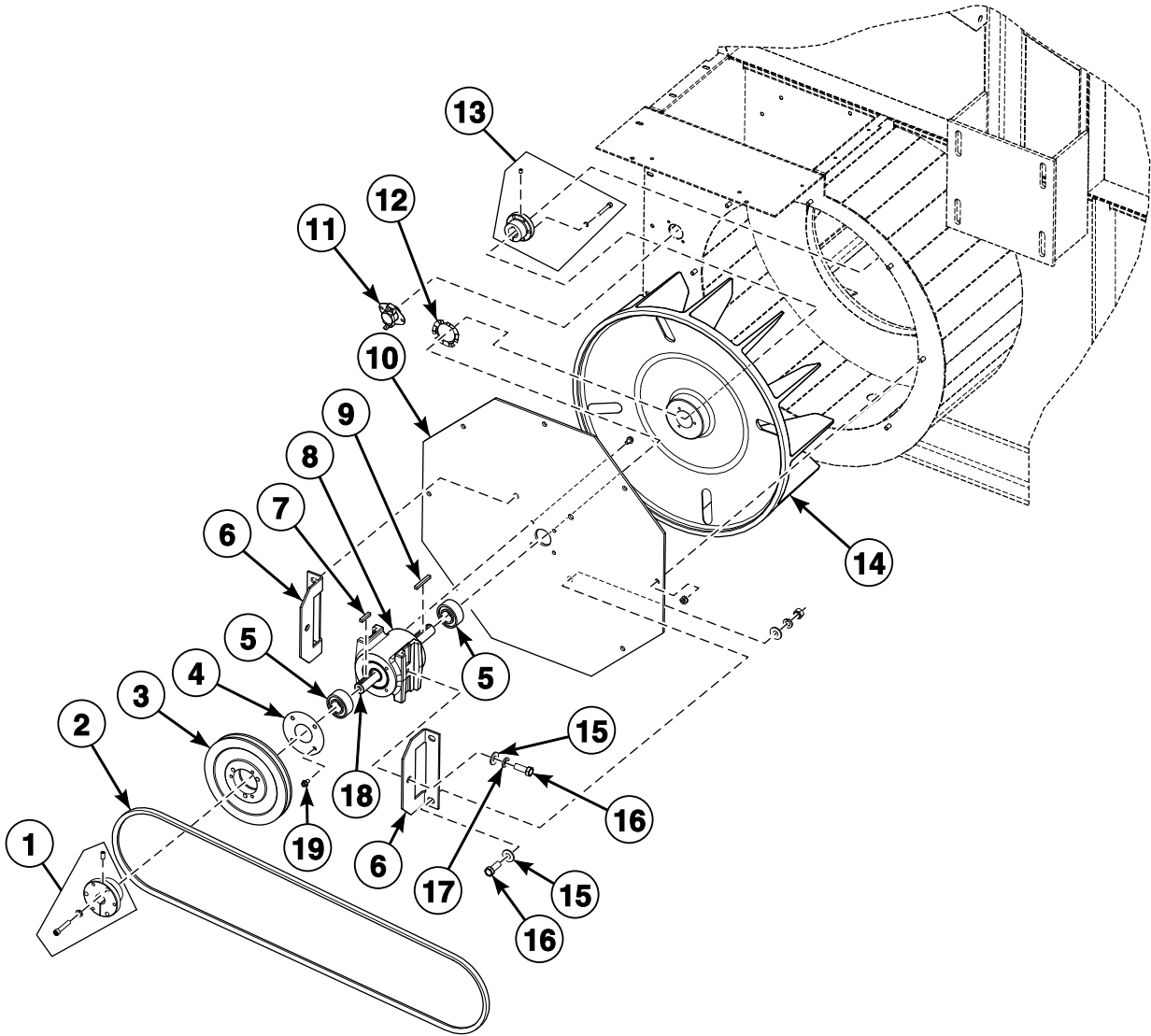


TMB3444P_70482101

Moisture Sensing Components

REF	PART NO.	DESCRIPTION	COMMENTS
	70468901	Moisture Sensor Test Wires	Use to troubleshoot the moisture sensor circuit
	44344701	Moisture Sensing Harness Kit	
1	44208101	Rib Wire	
2	44337201	Screw	
3	44238902	Washer	
4	26302	1 Circuit Plug	
5	44208201	Shaft Wire	
6	M400035	Nut	
7	44222701	Slip Ring Assembly	
8	44209201	Moisture Sensor Harness Assembly	Goes from item 7 to main harness

Fan Assembly

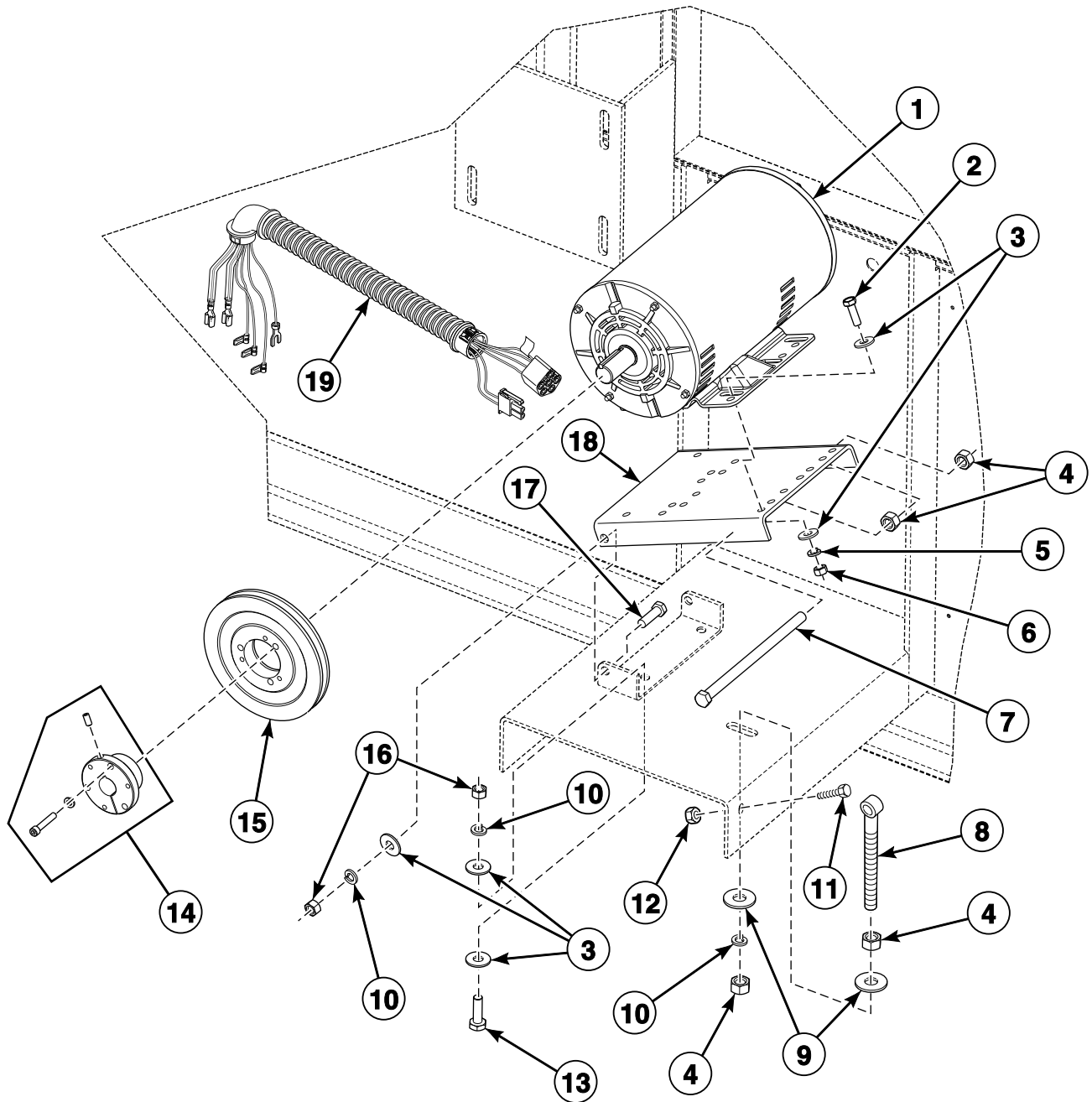


TMB2586P_70482101

Fan Assembly

REF	PART NO.	DESCRIPTION	COMMENTS
	M412630	Idler Housing Assembly	Includes items 5, 8 and 18
	M4680P3	Fan Bearing Conversion Kit	
1	H8752922HP	Bushing	Includes 44079202 Screw, 03189 Washer and 44048902 Screw
2	H87532685	Belt	
3	H8752060H	Sheave	6 inch OD; 50 Hertz
	H8752065H	Sheave	6.5 inch OD; 60 Hertz
4	M401370	Bearing Retainer	
5	M401375P	Ball Bearing	2 required for item 8
6	M414235	Fan Bearing Bracket	2 required
7	M401327	Key	
8	M412612	Idler Housing	
9	M400993	Key	
10	M414237	Blower Cover	
11	M411403	Limit Thermostat	184 closed
	M411946	Limit Thermostat	184 closed; Manual reset; CE and Australian models
	H8900530H	Thermostat	135 closed; Models with RT control suffix; Non-functional on models with RM and RQ control suffixes
12	M400401	Loading Spring	
13	M412917P	Bushing	Includes 44079301 Screw, 56552 Washer and 44048901 Screw
14	H96368469	Fan	
15	M400080	Washer	
16	M400043	Screw	6 required
17	M400014	Washer	
18	M414241	Idler Shaft	
19	70187202	Screw	8 required

Fan Motor Assembly

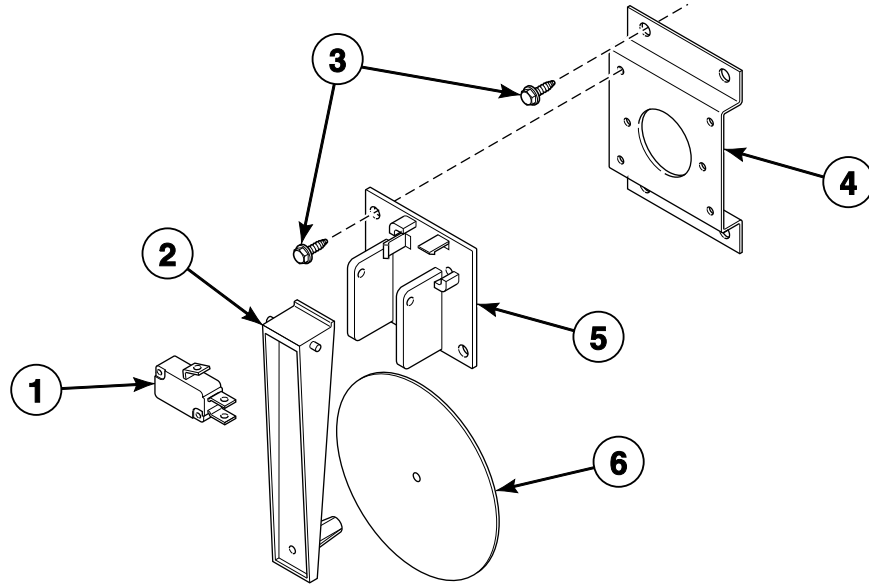


TMB2999P_70482101

Fan Motor Assembly

REF	PART NO.	DESCRIPTION	COMMENTS
1	44313501P	Fan Motor	3 hp; 200-208, 240 Volt/60 Hertz/3 Phase; 460-480 Volt/60 Hertz/3 Phase; Key included; No capacitor
	44046601P	Motor	3 hp; 380, 400-415 Volt/50 Hertz/3 Phase; Key included; No capacitor
	44313601	Motor	380 Volt/60 Hertz/3 Phase; Key included; No capacitor
2	M400056	Screw	4 required
3	M400080	Washer	
4	H88412101	Nut	4 required
5	M400013	Washer	4 required
6	70142	Nut	4 required
7	44161501	Screw	
8	44048501	Rod End	
9	70261401	Washer	2 required
10	M400014	Washer	
11	H88010038	Screw	Belt motor to fan motor base
12	29786	Nut	Belt motor to fan motor base
13	22688	Screw	4 required
14	M412995P	Bushing	Includes 44079202 Screw, 03189 Washer and 44048902 Screw
15	H8752065H	Sheave	6.5 inch OD; 50 Hertz
	H8752060H	Sheave	6 inch OD; 60 Hertz
16	20274	Nut	4 required
17	H96428693	Base Bracket	
18	M413171	Motor Base	
19	44242601	Fan Motor Harness	

Airflow Switch

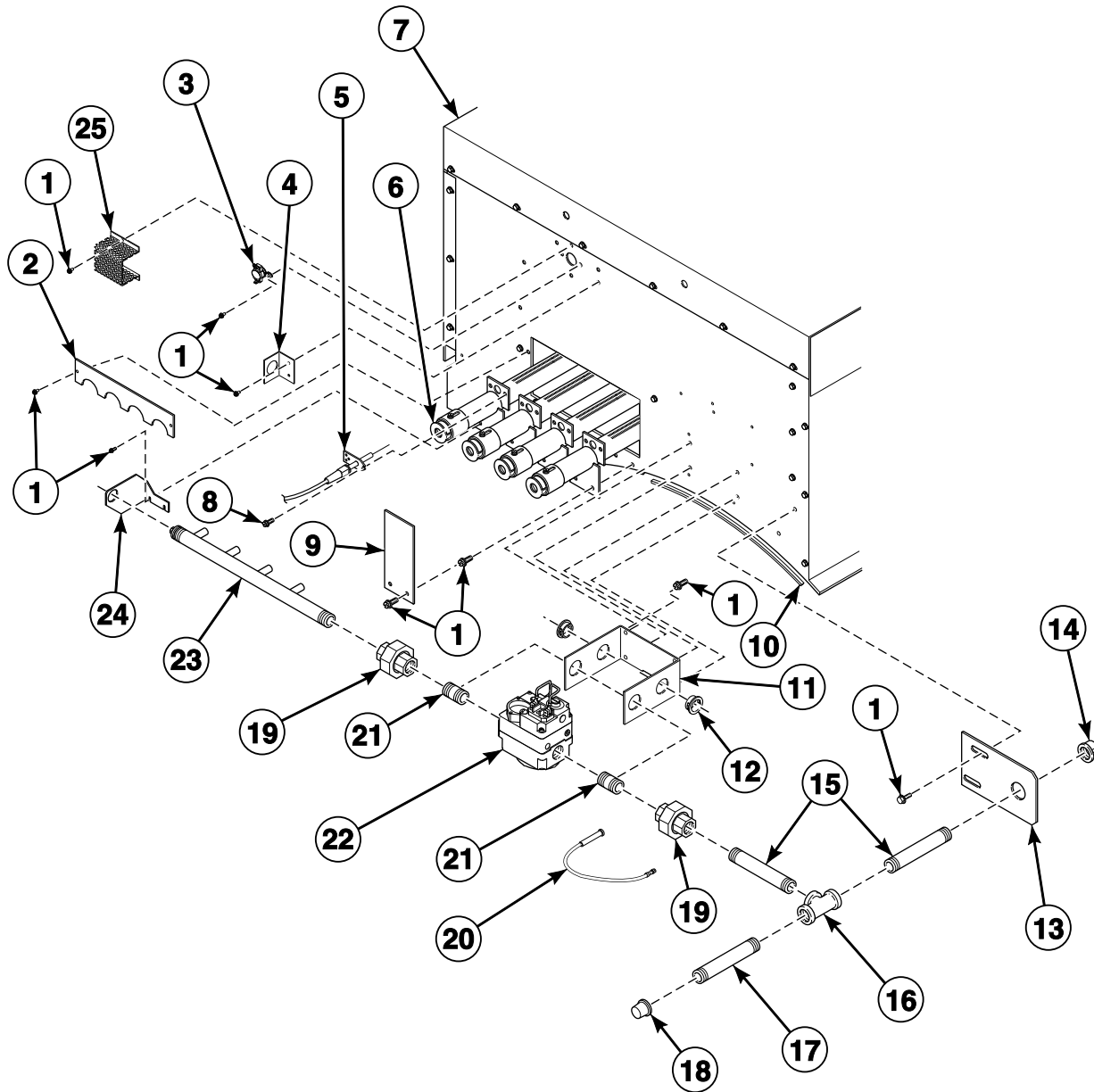


TMB3000P_70482101

Airflow Switch

REF	PART NO.	DESCRIPTION	COMMENTS
	70429601P	Airflow Switch Kit	Includes items 1-6
1	70411901	Switch	
2	70319401	Airflow Switch Arm	
3	430497	Screw	
4	70356301	Switch Bracket	
5	70319601	Airflow Switch and Arm Bracket	
6	70319201	Airflow Switch Vane	

Gas Heater Components - Non-CE Models Through 3/10/13

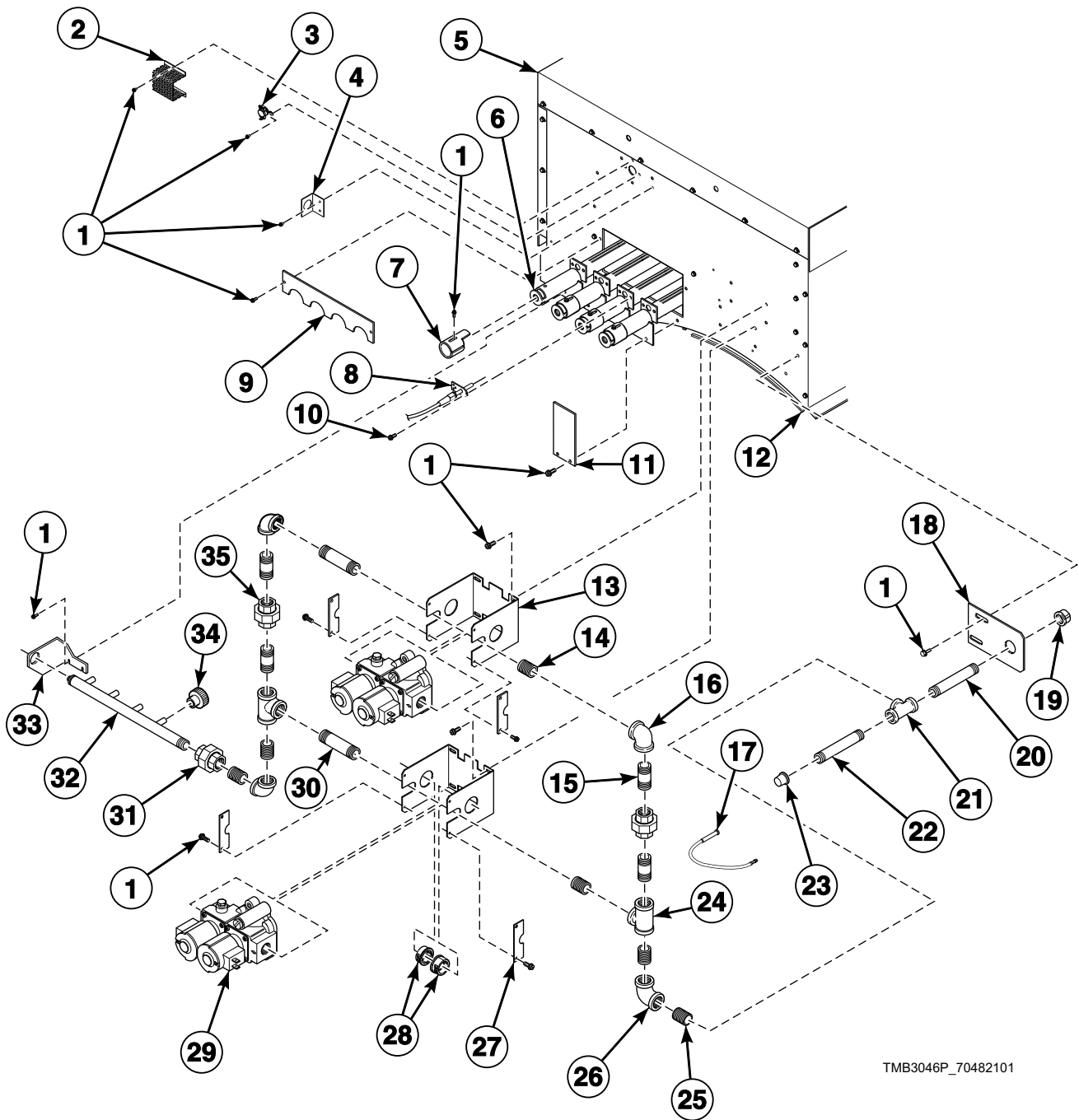


TMB3101P_70482101

Gas Heater Components - Non-CE Models Through 3/10/13

REF	PART NO.	DESCRIPTION	COMMENTS
	M4592P3	L.P. Conversion Kit	Natural Gas (N.G.) to Liquid Petroleum Gas (L.P.); 60 Hertz
	M4974P3	L.P. Gas Conversion Kit	N.G. to L.P.; 50 Hertz
	M412997	Harness Assembly	
	M411506	Stove Partition Gasket	3 feet
1	430497	Screw	
2	44171501	Burner Hole Cover	
3	M411404	Stove Limit Thermostat	Non-Australian models; N.G.
	431177	Stove Limit Thermostat	Non-Australian models; L.P.
	M413988	Thermostat	Australian and Korean models; N.G.
	M413989	Manual Reset Thermostat	Australian models; L.P.
4	431078	Stove Limit Harness Bracket	
5	44328701P	Spark Electrode	
6	M412025P	Burner	N.G. 4 required; L.P. 3 required
7	44198701	Gas Stove Assembly	
8	51782	Screw	2 required
9	M413099	Burner Opening Cover	L.P.
10	M411505	Stove Gasket	Sold per foot; 3 feet required
11	M411259	Gas Valve Bracket	
12	70178701	Snap Bushing	2 required
13	M411498	Pipe Bracket	
14	44165901	Pipe Cap	
15	H85101673	Nipple	2 required
16	M413020	Reducing Tee	
17	M413023	Pipe Nipple	
18	44087801	Pipe Cap	
19	M411419	Pipe Union	
20	44061602P	High Temperature Ignition Lead	Connects to item 5; Models through 9/16/12
	44239703	High Voltage Suppression Cable	Models starting 9/17/12; Use with 70458601 Ignition Control
21	M411417	Pipe Nipple	2 required
22	44166701	Gas Valve	N.G.; 50 Hertz
	44166702	Gas Valve	L.P.; 50 Hertz
	M413470P	Gas Valve	N.G.; 60 Hertz
	M4883P3	Gas Valve Kit	L.P.; 60 Hertz
23	M411736	Spud Holder	
24	44173801	Manifold End Bracket	
25	M414477	Thermostat Cover	

Gas Heater Components - CE Models Through 3/10/13

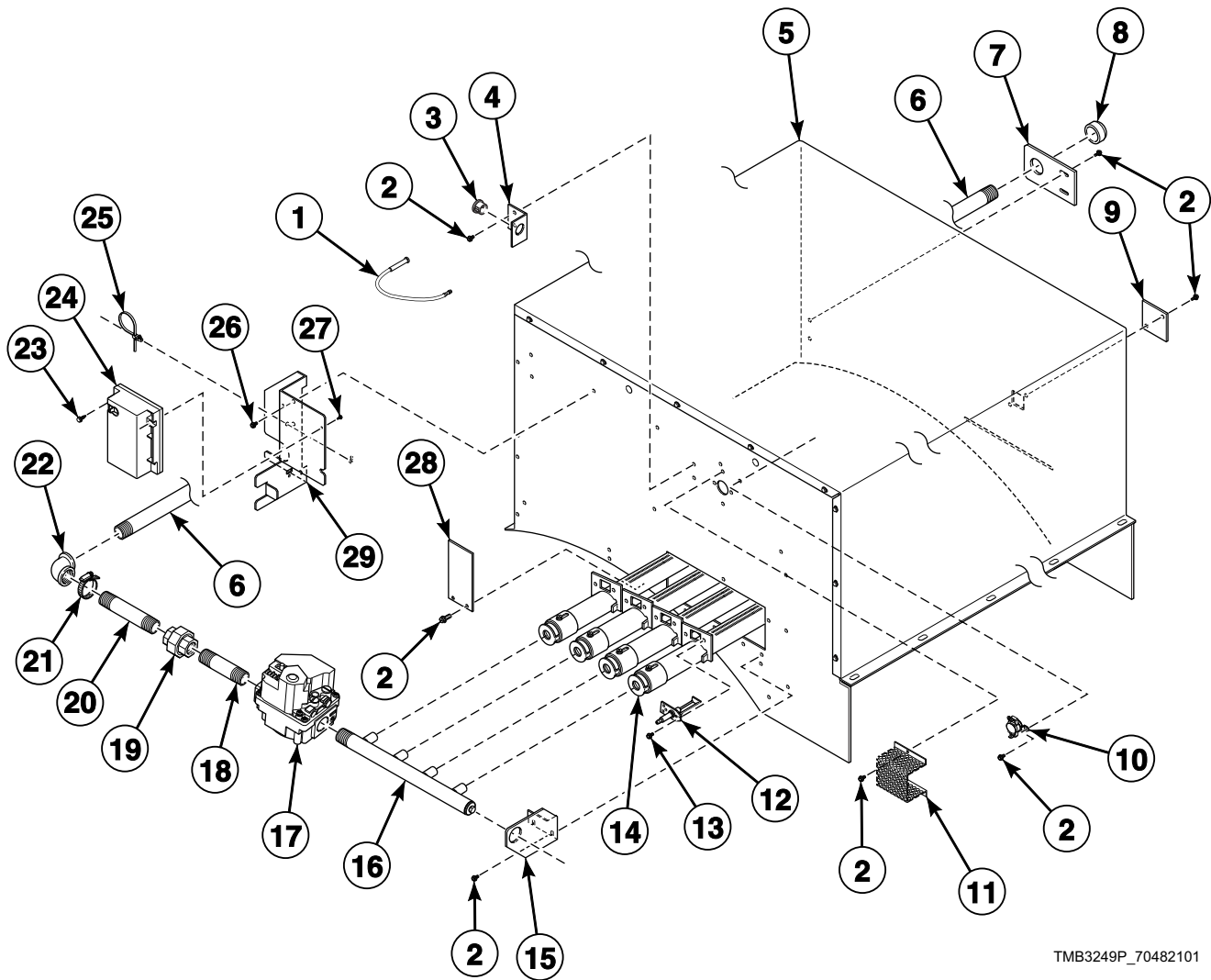


TMB3046P_70482101

Gas Heater Components - CE Models Through 3/10/13

REF	PART NO.	DESCRIPTION	COMMENTS
	44199101	Gas Valve Harness	
1	430497	Screw	
2	M414477	Thermostat Cover	
3	M413988	Thermostat	Natural gas (N.G.) models
	M413989	Manual Reset Thermostat	Liquid petroleum (L.P.) models
4	431078	Stove Limit Harness Bracket	
5	44198701	Gas Stove Assembly	
6	M412025P	Burner	N.G. 4 required; L.P. 3 required
7	M413795	Burner Shutter	N.G. 4 required; L.P. 3 required
8	44328701P	Spark Electrode	
9	44171501	Burner Hole Cover	
10	51782	Screw	2 required
11	M413099	Burner Opening Cover	L.P.
12	M411505	Stove Gasket	Sold per foot; 3 feet required
13	44117501	Gas Valve Bracket	2 required
14	70435601	Pipe Nipple	2 required
15	M403934	Nipple	4 required
16	70079601	Elbow	2 required
17	44061602P	High Temperature Ignition Lead	Connects to item 8; Models through 9/16/12
	44239703	High Voltage Suppression Cable	Models starting 9/17/12; Use with 70458701 Ignition Control
18	M411498	Pipe Bracket	
19	44165901	Pipe Cap	
20	H85101673	Nipple	
21	M413020	Reducing Tee	
22	M413023	Pipe Nipple	
23	44087801	Pipe Cap	
24	44117401	Reducing Tee	2 required
25	H85101608	Nipple	4 required
26	F421107	Elbow	2 required
27	44117901	Pipe Keeper Bracket	4 required
28	M402542	Snap Bushing	2 required
29	44178301P	Gas Valve	N.G.; 2 required; Use to replace valves starting 12/1/09
	44178302P	Gas Valve	L.P.; 2 required; Use to replace valves starting 12/1/09
30	901403	Pipe Nipple	2 required
31	M411419	Pipe Union	
32	M411736	Spud Holder	
33	44173801	Manifold End Bracket	
34	M400995	Burner Orifice	L.P.
35	H86000031	Union	2 required

Gas Heater Components - Models Starting 3/11/13

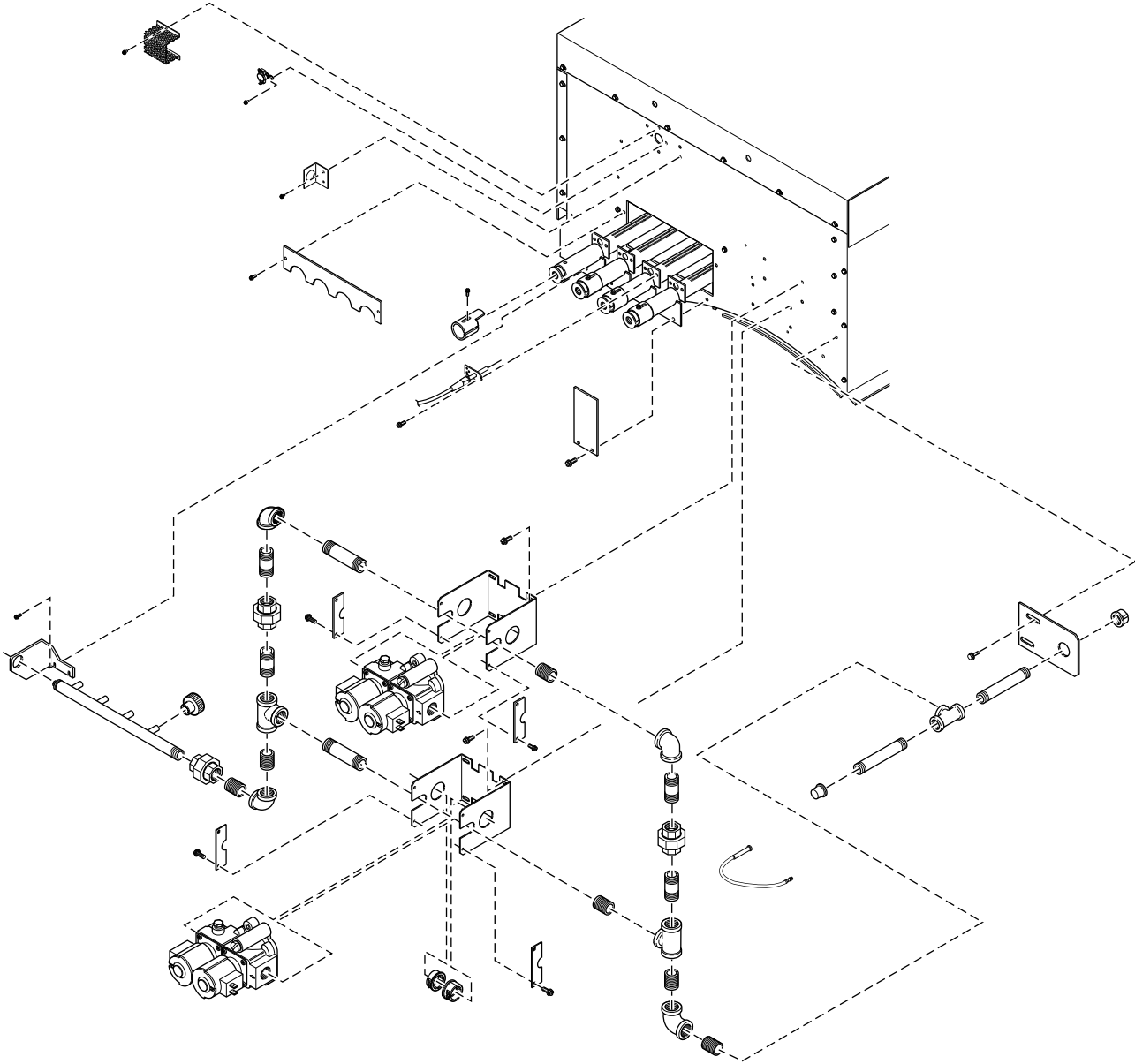


TMB3249P_70482101

Gas Heater Components - Models Starting 3/11/13

REF	PART NO.	DESCRIPTION	COMMENTS
	M4592P3	L.P. Conversion Kit	Natural Gas (N.G.) to Liquid Petroleum Gas (L.P.); 60 Hertz; Non-CE models
	M4974P3	L.P. Gas Conversion Kit	N.G. to L.P.; 50 Hertz; Non-CE models
	70184001	Gas Valve Harness	CE models
	44240401P	L.P. Valve Conversion Kit	Unregulated; N.G. to L.P.; CE models; Must also order orifice, refer to Installation Manual
	44240402P	L.P. Conversion Kit	Regulated; N.G. to L.P.; CE models; Must also order orifice, refer to Installation Manual
	M413650	Gas Valve Harness Assembly	CE models
	M412997	Harness Assembly	Non-CE and non-Australian models
1	44239703	High Voltage Suppression Cable	
2	430497	Screw	
3	44071501	Snap Bushing	
4	431078	Stove Limit Harness Bracket	
5	44243901	Gas Stove Assembly	
6	44252401	Pipe Nipple	
7	44249301	Pipe Bracket	
8	44087801	Pipe Cap	
9	70159601	Igniter Cover	
10	M411404	Stove Limit Thermostat	Non-CE and non-Australian models; N.G.
	431177	Stove Limit Thermostat	Non-CE and non-Australian models; L.P.
	M413988	Thermostat	CE and Australian models; N.G.
	M413989	Manual Reset Thermostat	CE and Australian models; L.P.
11	M414477	Thermostat Cover	
12	44328701P	Spark Electrode	
13	51782	Screw	2 required
14	M412025P	Burner	N.G. 4 required; L.P. 3 required
15	44173801	Manifold End Bracket	
16	44245801	Spud Holder Weldment	
17	44166701	Gas Valve	N.G.; 50 Hertz; Australian models
	44166702	Gas Valve	L.P.; 50 Hertz; Australian models
	M413470P	Gas Valve	N.G.; 60 Hertz; Non-CE and non-Australian models
	M4883P3	Gas Valve Kit	L.P.; 60 Hertz; Non-CE and non-Australian models
	44227201	Gas Valve	N.G.; 50 Hertz; CE models
	44227202	Gas Valve	L.P.; 50 Hertz; CE models
18	44249501	Pipe Nipple	
19	M411419	Pipe Union	
20	44252301	Pipe Nipple	
21	20391	Hose Clamp	
22	44249401	Pipe Elbow	
23	51783	Screw	
24	70458601P	Ignition Control	Non-CE and non-Australian models
	70483201P	Ignition Control	CE models; Australian models through 3/31/13 and starting again 8/1/13
	44264701	Ignition Control Kit	Australian models starting 4/1/13 through 7/31/13
25	M405829	Cable Tie	
26	51780	Screw	
27	38272	Screw	
28	44249601	Burner Opening Cover	L.P.
29	44245701	Gas Valve Bracket	

Gas Valve Replacement Kits - CE Models

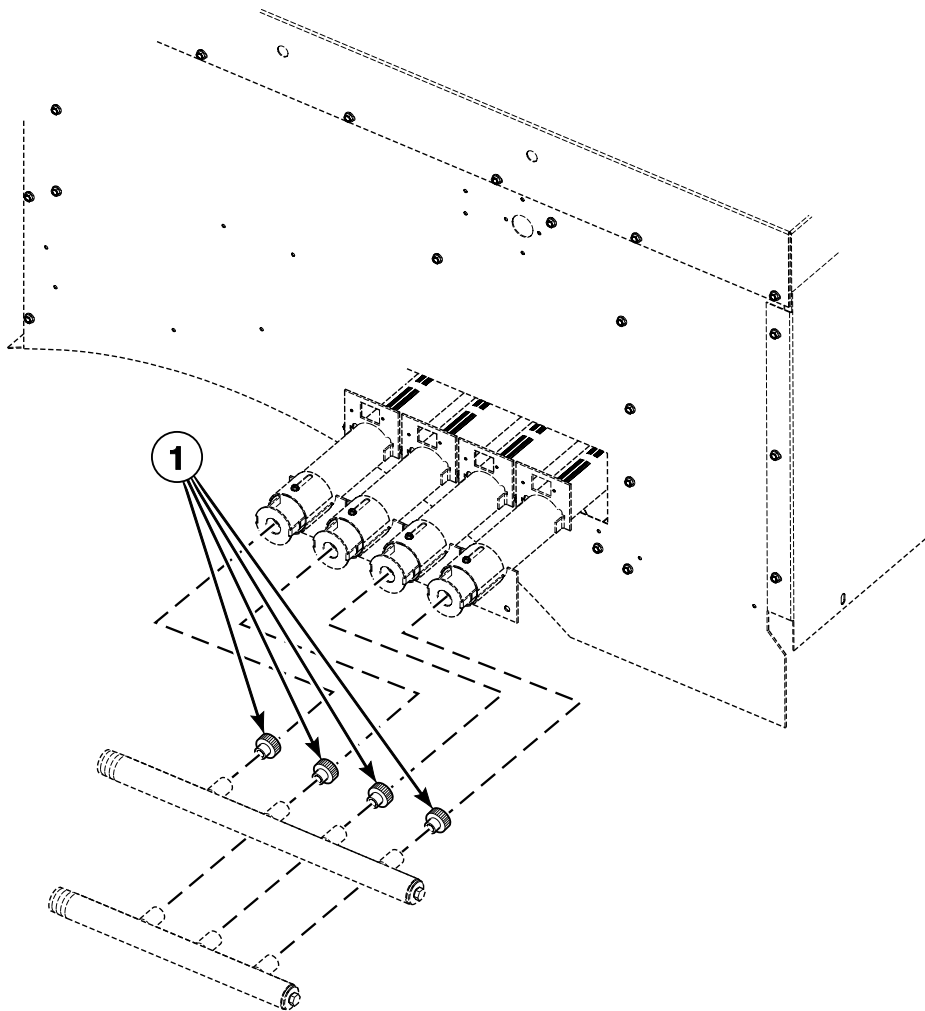


TMB3046PA_70482101

Gas Valve Replacement Kits - CE Models

REF	PART NO.	DESCRIPTION	COMMENTS
	M4904P3	Valve Replacement Kit	Natural Gas (N.G.); Models through 7/13/09
	M4905P3	Valve Replacement Kit	Liquid Petroleum Gas (L.P.); Models through 7/13/09
	M4908P3	Valve Replacement Kit	N.G.; Models starting 7/14/09 through 11/30/09
	M4909P3	Valve Replacement Kit	L.P.; Models starting 7/14/09 through 11/30/09

Burner Orifices for Non-CE and Non-Australian Gas Models



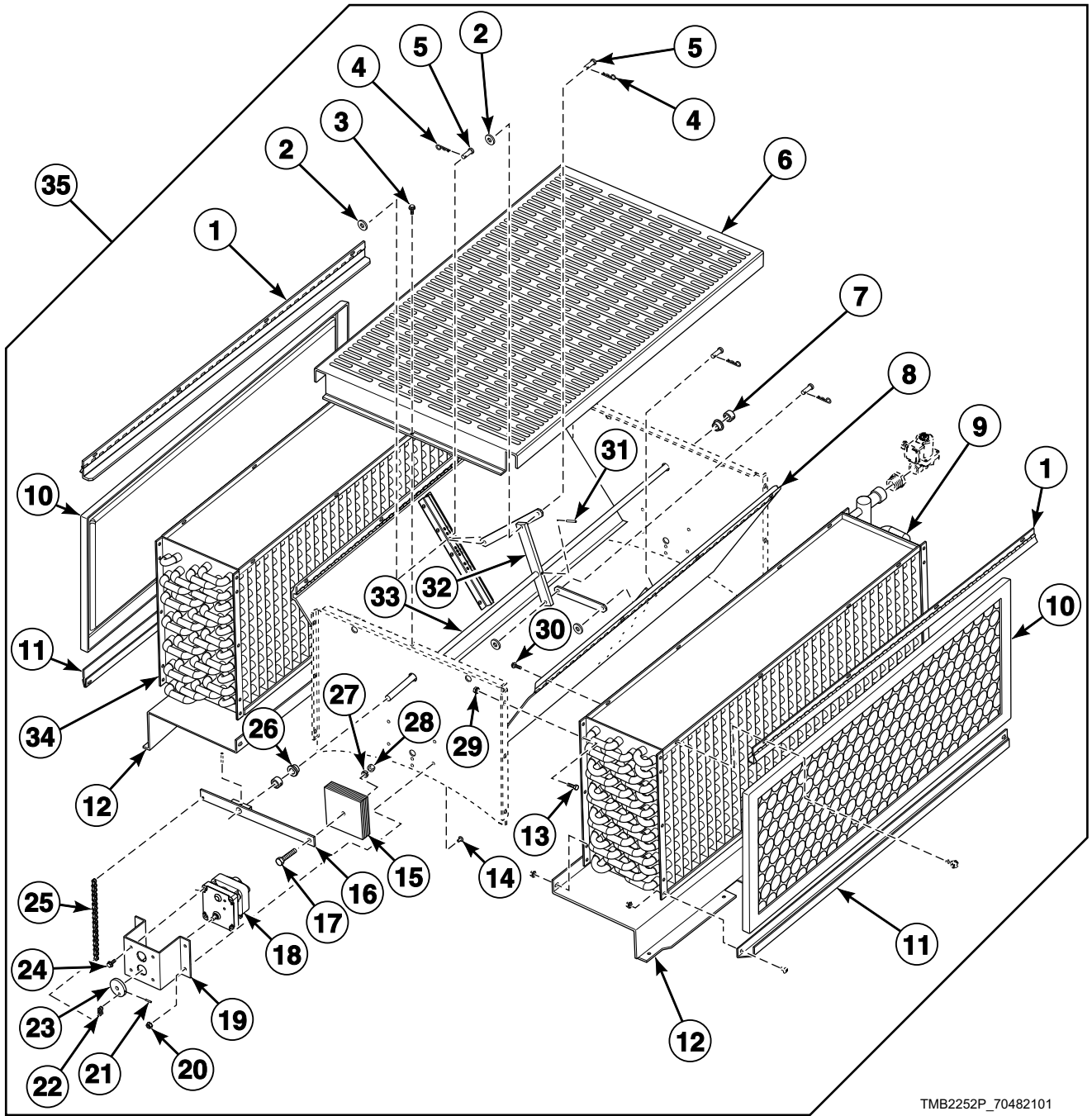
TMB2528P_70482101

Burner Orifices for Non-CE and Non-Australian Gas Models

REF	PART NO.	DESCRIPTION	COMMENTS
1	M411372	Burner Orifice	Natural Gas (N.G.); 0-2,000 feet; Drill no. 12 (4.8 mm); 4 required
	M411371	Burner Orifice	N.G.; 2,001-4,000 feet; Drill no. 14 (4.6 mm); 4 required
	M411373	Burner Orifice	N.G.; 4,001-6,000 feet; Drill no. 16 (4.5 mm); 4 required
	M411374	Burner Orifice	N.G.; 6,001-8,000 feet; Drill no. 17 (4.4 mm); 4 required
	M402995	Burner Orifice	N.G.; 8,001-10,000 feet; Drill no. 19 (4.2 mm); 4 required
	M400997	Burner Orifice	Liquid Petroleum Gas (L.P.); 0-2,000 feet; Drill no. 29 (3.4 mm); 4 required
	M401021	Burner Orifice	L.P.; 2,001-6,000 feet; Drill no. 30 (3.3 mm); 4 required
	M401017	Burner Orifice	L.P.; 6,001-10,000 feet; Drill no. 31 (3.0 mm); 4 required

NOTE: For CE gas and orifice information, refer to Installation Manual.

Steam Heater Components - Except B, C and I Models

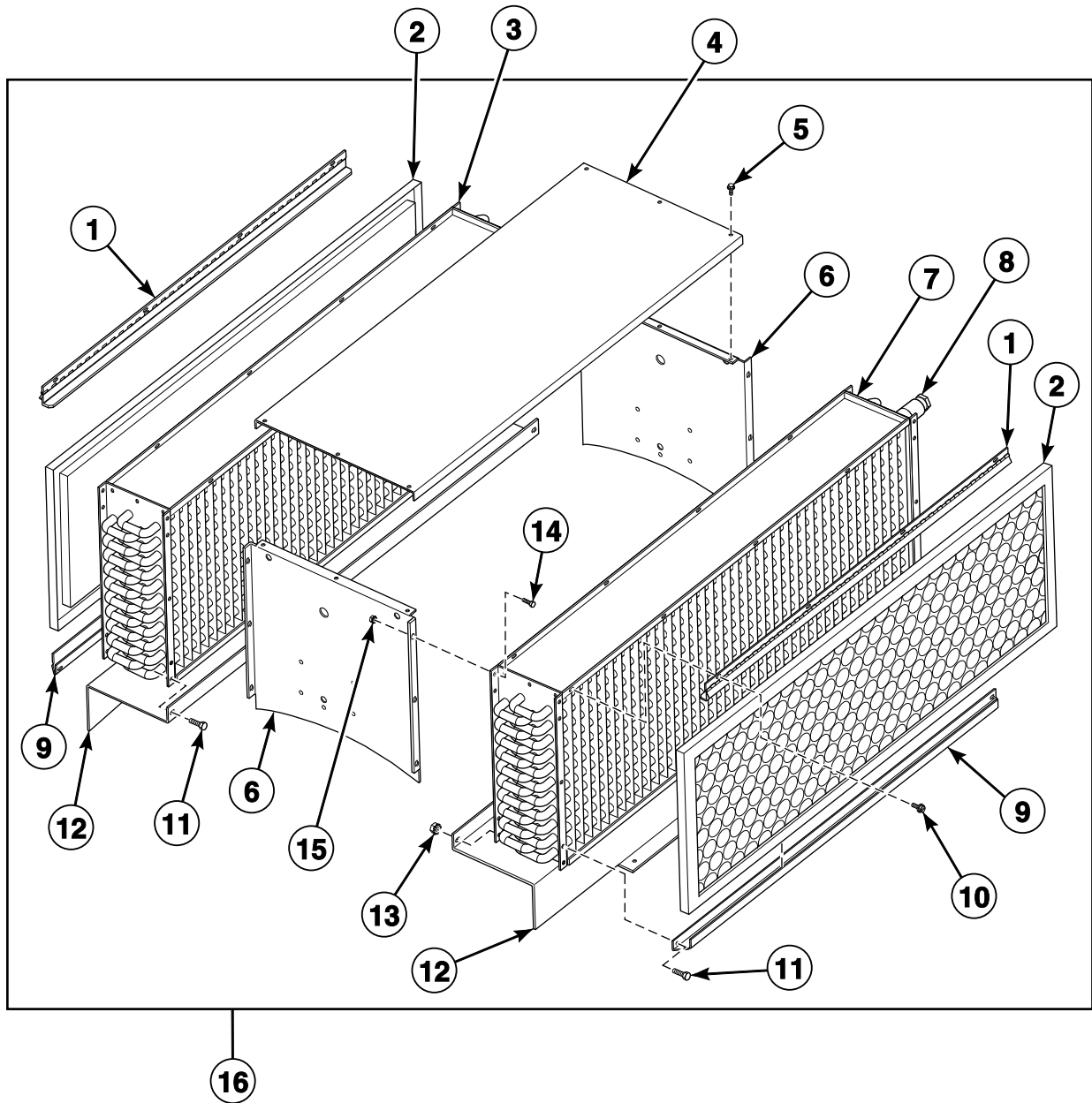


TMB2252P_70482101

Steam Heater Components - Except B, C and I Models

REF	PART NO.	DESCRIPTION	COMMENTS
	M414801	Damper Bracket	Thermal oil models; 4 required
	M412997	Harness Assembly	Models through 3/10/13
	44243601	Steam Valve Interface Harness	Models starting 3/11/13
1	44088101	Steam Filter Top Hinge Assembly	2 required
2	800465	Washer	4 required
3	M405188	Screw	2 required
4	44091601	Hairpin Cotter	4 required
5	44091501	Clevis Pin	4 required
6	44018501	Steam Coil Housing Cover	
	44115201	Steam Cover	
7	M414451	Shaft Collar	2 required
8	H96367685	Damper Assembly	2 required
9	M409834P	Steam Coil	All models except thermal oil models; Right; 902303 Steam Pressure Label by inlet connection
10	44172101	Filter	2 required; CE models
	H96362264	Coil Filter	2 required; All other models
11	44045101	Filter Channel	2 required
	44088101	Steam Filter Top Hinge Assembly	
12	M412201	Steam Coil Support	2 required
13	02422	Screw	14 required
14	801019	Screw	8 required
15	M413331	Damper Counterweight	7 required
16	H96387501	Actuator Arm Assembly	
17	H88010574	Screw	
18	M412905P	Damper Motor	50 Hertz
	M413592P	Damper Motor	60 Hertz
19	H96388145	Motor Bracket	
20	23951	Nut	12 required
21	H88900683	Spring Pin	
22	H96382072P	Master Link	2 required
23	H96388178	Drive Wheel	
24	61199	Screw	4 required
25	H96388186	Drive Chain	
26	M414459	Bushing	2 required
27	M400013	Washer	
28	70142	Nut	
29	29786	Nut	14 required
30	D501086	Screw	16 required
31	H88970256	Roll Pin	2 required
32	44096501	Steam Damper Actuator	
33	H96368956	Damper Shaft	
34	M409833P	Steam Coil	All models except thermal oil models; Left; 902303 Steam Pressure Label by inlet connection
35	M414490P	Steam Heater Assembly	60 Hertz; Includes items 1-34
	M414485	Steam Heater Assembly	50 Hertz; Includes items 1-34

Steam Heater Components - B, C and I Models



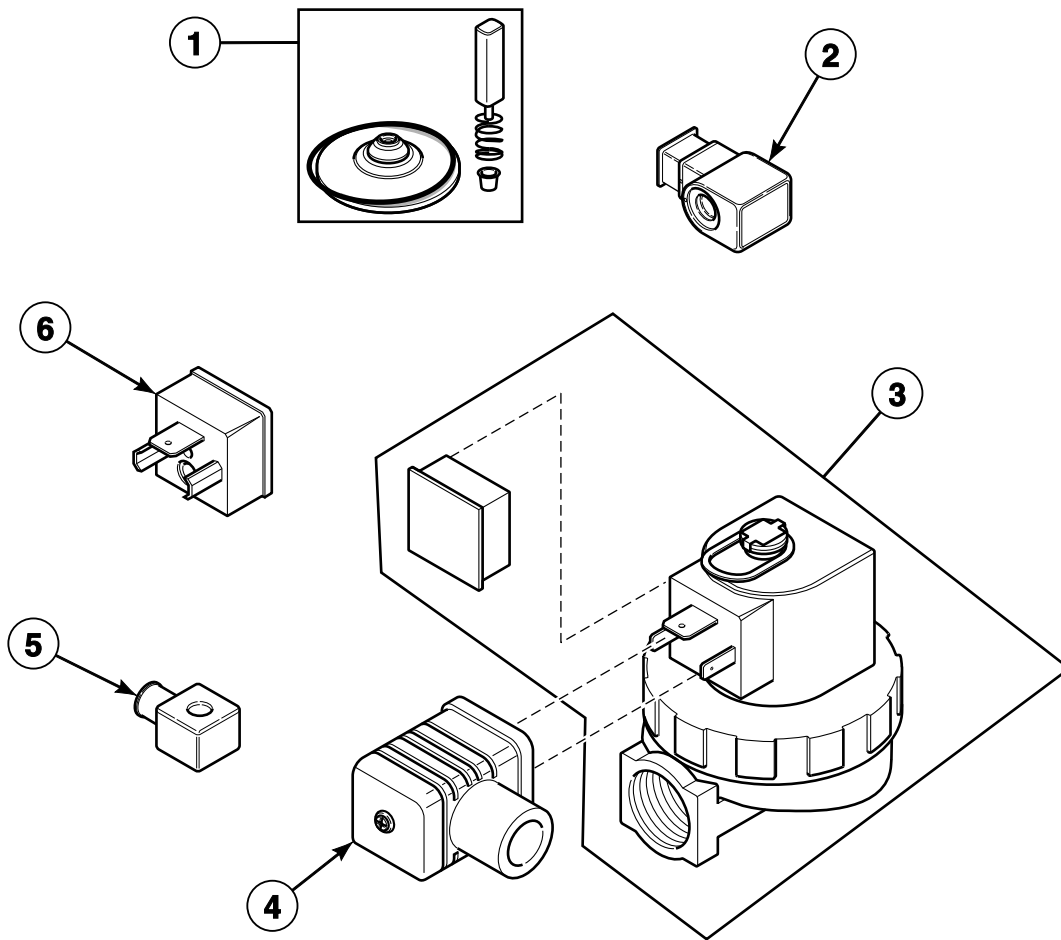
TMB3002P_70482101

Steam Heater Components - B, C and I Models

REF	PART NO.	DESCRIPTION	COMMENTS
	M414801	Damper Bracket	Thermal oil models; 4 required
	44243601	Steam Valve Interface Harness	Models starting 3/11/13
1	44088101	Steam Filter Top Hinge Assembly	2 required
2	44172101	Filter	2 required; CE models
	H96362264	Coil Filter	2 required; Non-CE models
3	M409833P	Steam Coil	All models except thermal oil models; Left; 902303 Steam Pressure Label by inlet connection
4	44114601	Steam Cover	
5	430497	Screw	6 required
6	44115001	Steam Coil Housing End	2 required
7	M409834P	Steam Coil	All models except thermal oil models; Right; 902303 Steam Pressure Label by inlet connection
8	M409844	Bushing	2 required
9	44045101	Filter Channel	2 required
10	D501086	Screw	8 required
11	801019	Screw	4 required
12	M412201	Steam Coil Support	2 required
13	23951	Nut	4 required
14	02422	Screw	16 required
15	29786	Nut	16 required
16	44114801	Steam Heater Assembly	Includes items 1-15

Steam Solenoid Valve

All Steam Models Except Thermal Oil Models

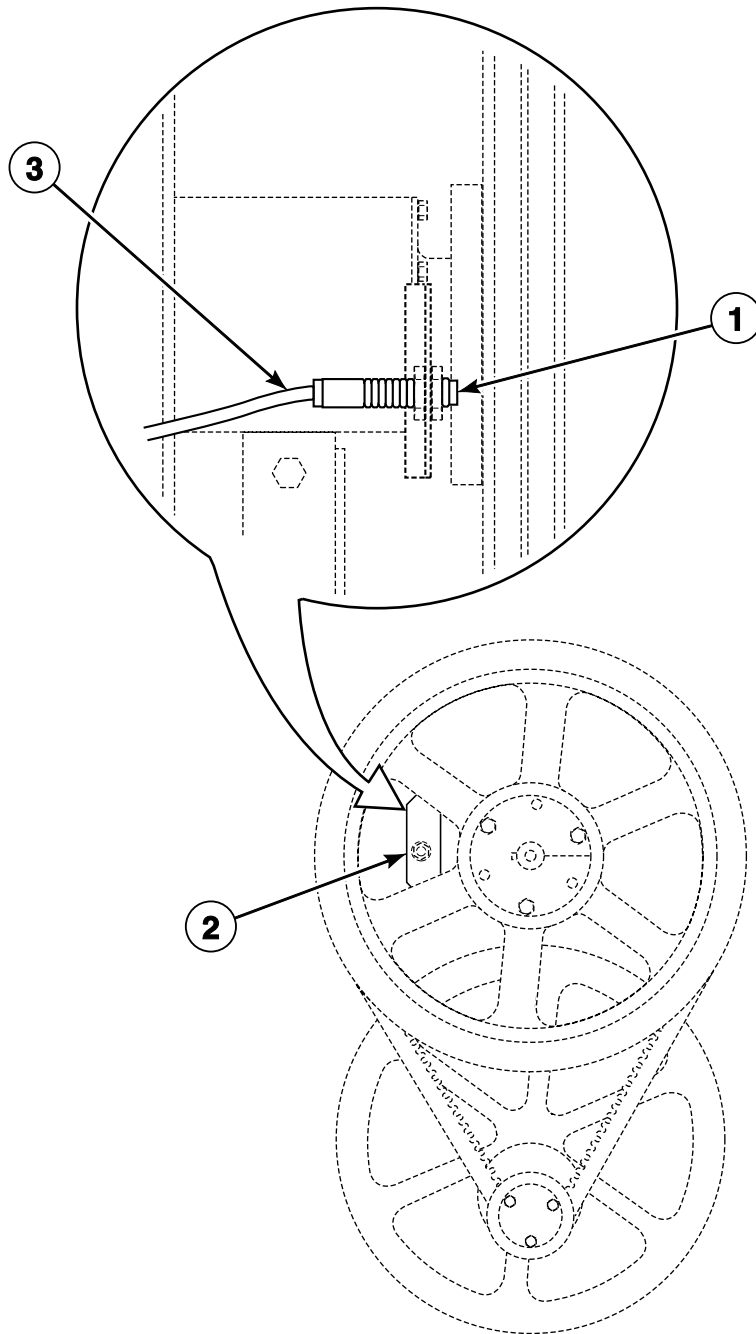


TMB3250P_70482101

Steam Solenoid Valve

REF	PART NO.	DESCRIPTION	COMMENTS
	F8514801	Valve Coil	Use with F8322902 Steam Valve
1	70351021P	Steam Valve Rebuild Kit	Parker; Use with 70351001P Steam Valve
	F8379502	Valve Rebuild Kit	Asco; Use with F8322902 and F8322903 Steam Valves
2	70351012	Steam Solenoid	50 Hertz; Used with F8322902 Steam Valve
3	F8521701	Valve Kit	24 Volt/60 Hertz; Parker valve replacement kit
	F8322902	Steam Valve	24 Volt/60 Hertz; Models starting Serial No. 1009000100 through 3/10/13; Asco
	F8322903	Steam Valve	24 Volt/50 Hertz; Models starting 3/11/13
	F8322901P	Valve	220 Volt/50 Hertz or 240 Volt/60 Hertz; Models starting 3/11/13
	F8322906P	Valve	Includes F8322901P Valve and F8382301 DIN Valve Adapter Kit
4	70370301P	Solenoid Valve DIN Connector	
5	70351011P	Steam Solenoid	60 Hertz; Used with 70351001P Steam Valve
6	F8382301	DIN Valve Adapter Kit	Models starting 3/11/13

Rotation Sensor

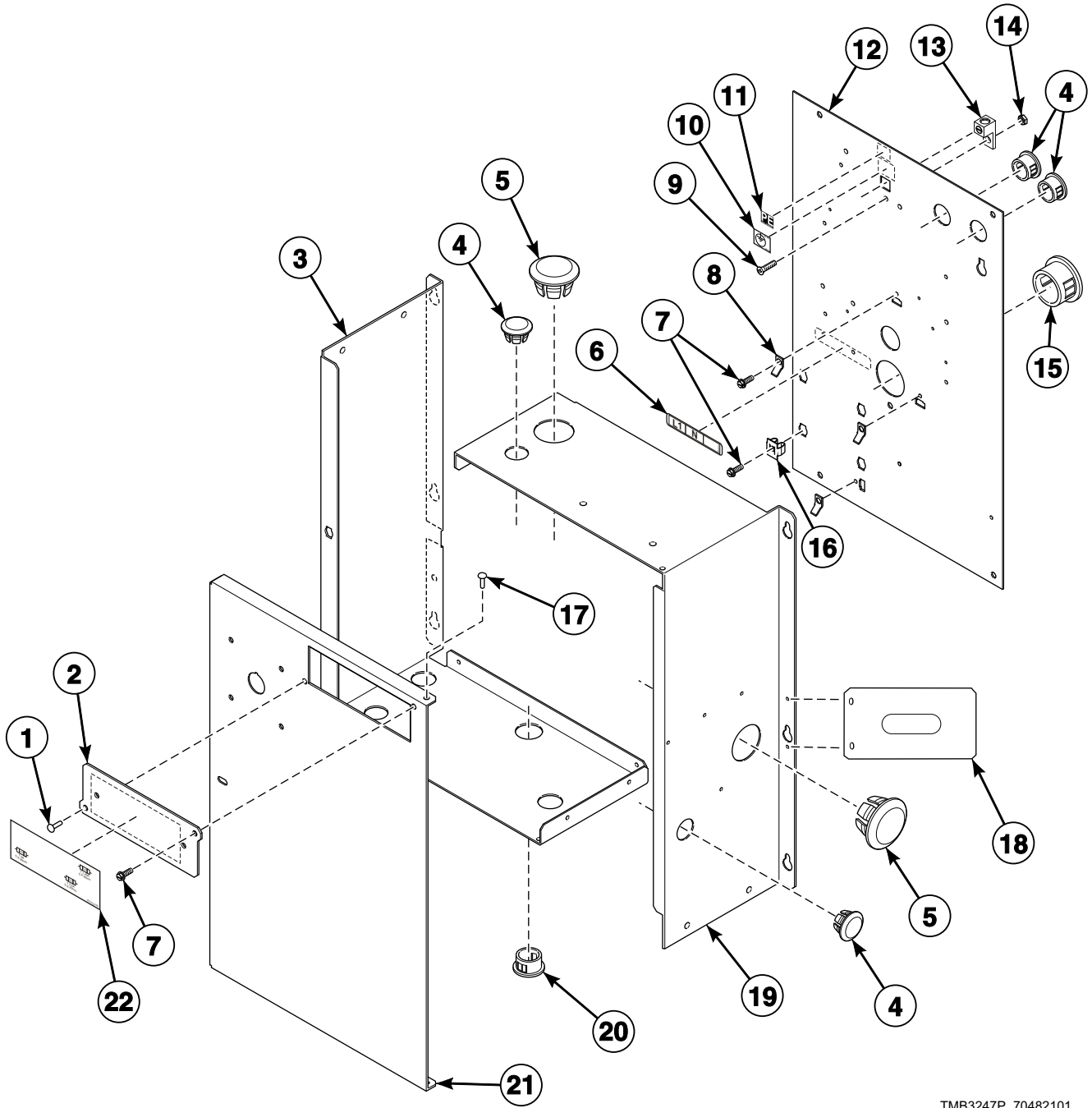


TMB2009P_70482101

Rotation Sensor

REF	PART NO.	DESCRIPTION	COMMENTS
	7010P	Rotation Sensor Kit	Includes item 1 and 44250501 Rotation Sensor Harness
1	F8066201	Rotation Sensor	
2	44111101	Rotation Sensor Bracket	
3	44201701	Rotation Sensor Harness	RE and RU control suffixes
	7010P	Rotation Sensor Kit	Models with R3 and RD control suffixes

Control Tray Wrap Components



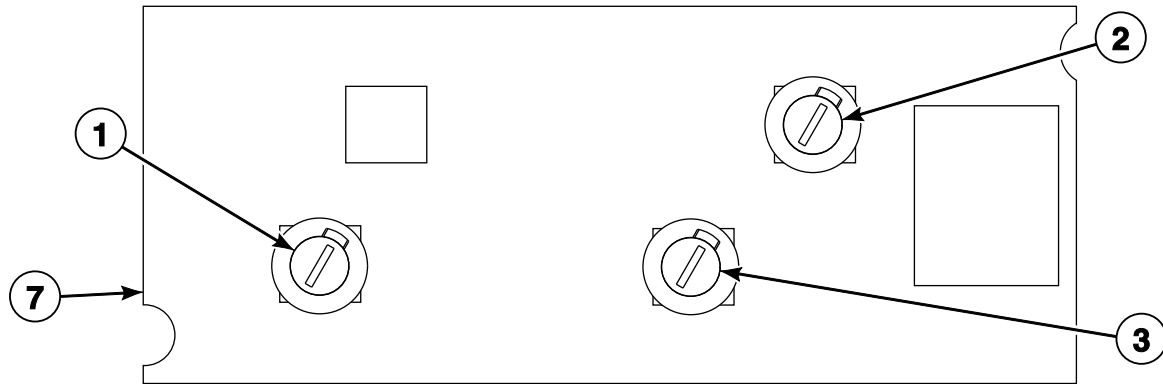
TMB3247P_70482101

Control Tray Wrap Components

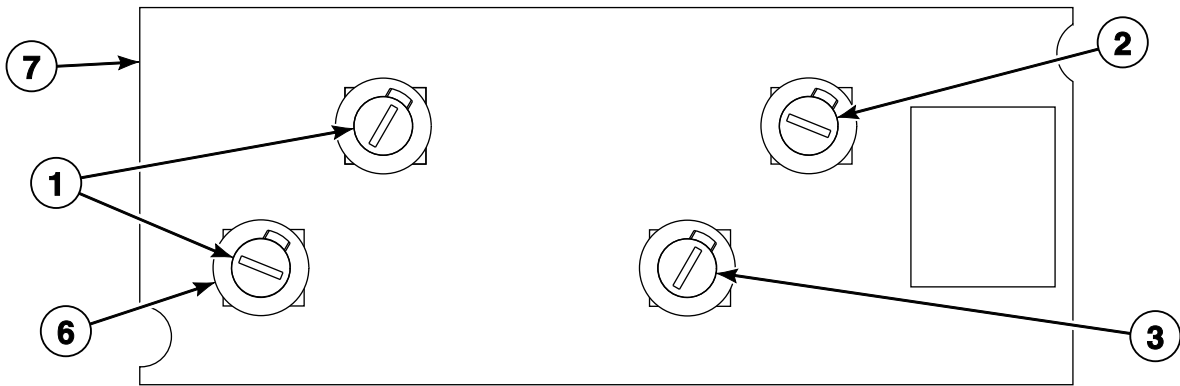
REF	PART NO.	DESCRIPTION	COMMENTS
	M414276	Mount Bracket	Used to mount items 3 and 19 to machine
1	70058501	Pop Rivet	
2	70313301	Fuse Cover	
3	44159001	Contactora Box Side	
4	M400985	Plug	3 required
5	F8223801	Hole Plug	2 required
6	70218801	Wire Label	L1, N
	70218701	Wire Label	L1, L2, L3
	70219001	Wire Label	L1, N, L2
7	F8206901	Screw	4 required
8	00177	Male Tab Terminal	3 required
9	F430909	Screw	
10	F230739	Ground Decal	
11	M412096	Earth Terminal Sticker	
12	44133701	Contactora Box Base	
13	M411283	Ground Lug Connector	
14	F430232	Nut	
15	M405340	Snap Bushing	
16	70030501	Expansion Clip	5 required
17	70058502	Pop Rivet	2 required
18	44175801	Pipe Bracket	
19	44158901	Contactora Box Side	
20	70178701	Snap Bushing	
21	44134001	Contactora Box Cover	Non-CE models
	44134002	Contactora Box Cover	CE models
22	70337301	Fuse Label	3 fuses
	70337201	Fuse Label	4 fuses; Models with less than 380 Volts
	70337401	Fuse Label	4 fuses; Models with 380 Volts or higher

Control Tray Fuses

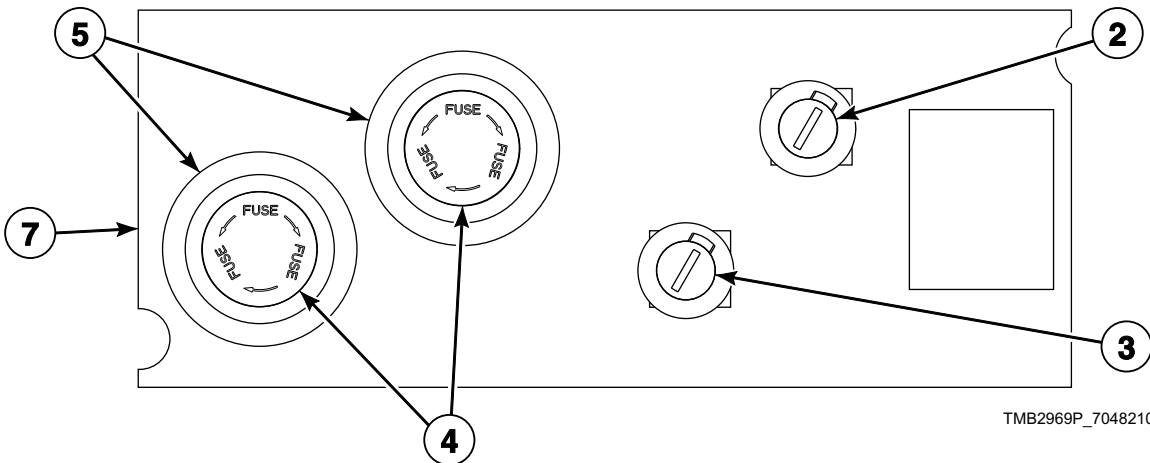
MODELS WITH LESS THAN 380 VOLTS/1 PHASE



MODELS WITH LESS THAN 380 VOLTS/3 PHASE



MODELS WITH 380 VOLTS OR HIGHER/3 PHASE

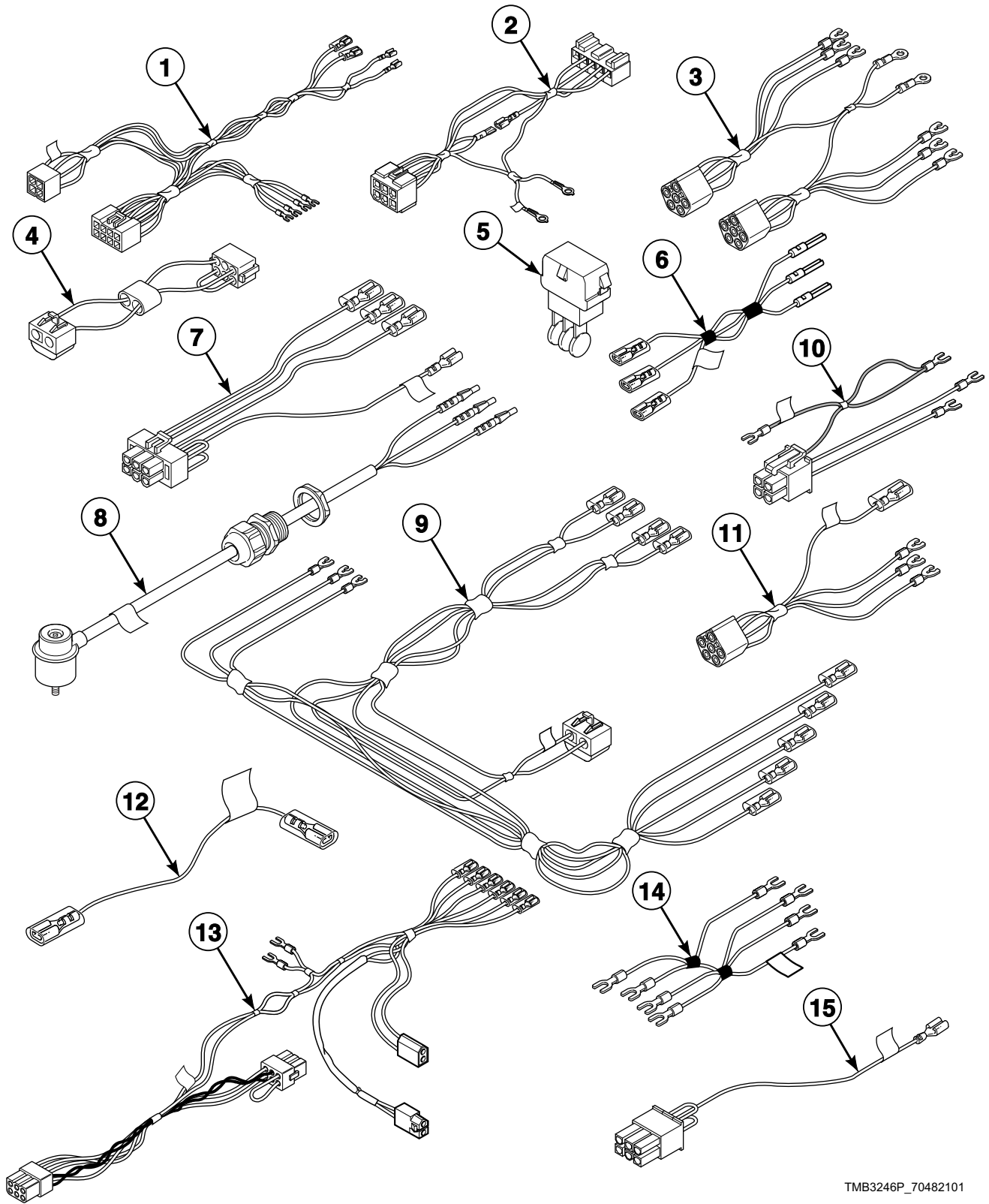


TMB2969P_70482101

Control Tray Fuses

REF	PART NO.	DESCRIPTION	COMMENTS
1	70406701	Fuse	2 Amp
2	70406501	Fuse	1.25 Amp
3	70406601	Fuse	3.5 Amp
4	44310001	Fuse	0.5 Amp
5	44155601P	Fuse Holder	
6	70329401P	Fuse Holder Body	
	70329501	Fuse Holder Cap	
7	70313602	Fuse Bracket	Models with 380 Volts or higher
	70306901	Fuse Bracket	Models with less than 380 Volts

Control Tray Harnesses

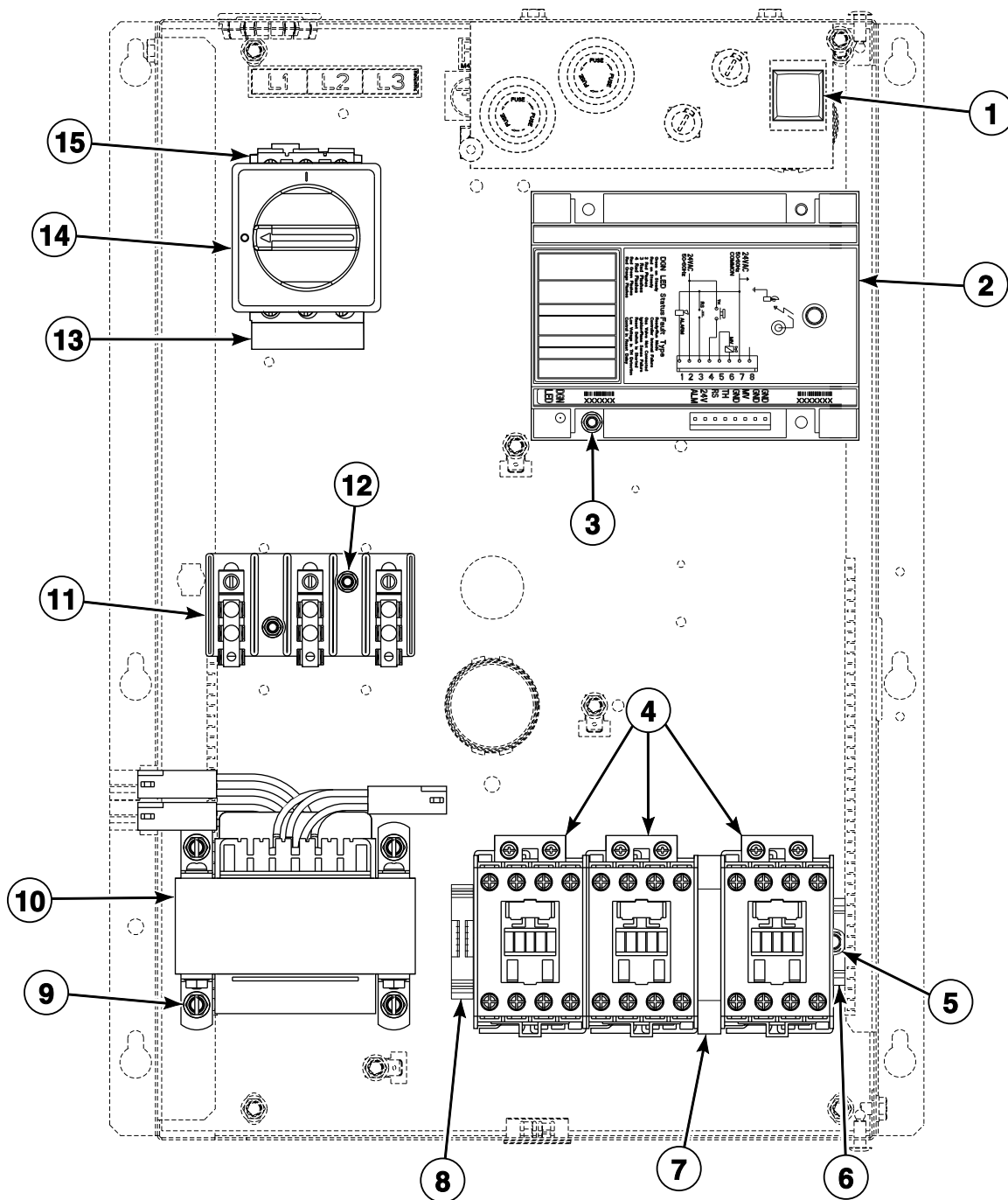


TMB3246P_70482101

Control Tray Harnesses

REF	PART NO.	DESCRIPTION	COMMENTS
1	44136701P	Junction Box Harness	
2	44186701	Ignition Control Harness	Non-CE gas models; Models through 3/10/13
	44186901	Ignition Control Harness	CE gas models; Models with RE and RU control suffixes; Models through 3/10/13
	44136601P	Ignition Control Harness	CE gas models; Models with all other control suffixes; Models through 3/10/13
	44251601	Ignition Control Harness	Non-CE gas models; Models starting 3/11/13
	44251701	Ignition Control Harness	CE gas models; Models with RE and RU control suffixes; Models starting 3/11/13
	44251201	Ignition Control Harness	CE gas models; Models with all other control suffixes; Models starting 3/11/13
3	44139901P	Motor Contactor Harness	1 Phase
	44142601P	Motor Contactor Harness	3 Phase
4	M413506	Jumper Harness Assembly	208 Volt
	M413507	Jumper Configuration Assembly	240 Volt
	M413508	Jumper Harness Assembly	380 Volt
	M413510	Jumper Configuration Assembly	480 Volt
5	M413863	Network Capacitor Assembly	
6	70342101	Gas Disconnect Harness	CE models
7	44143401P	Network Capacitor Harness Assembly	
8	44243601	Steam Valve Interface Harness	Steam models; Use with F8322901P Valve
9	44136201P	Power Harness	3 Phase models with 380 Volts or higher
	44136301P	Power Harness	3 Phase models with less than 380 Volts
	44139801P	Power Harness	1 Phase
10	44139601P	Reversing Contactor Harness	
11	44137001P	Motor Contactor Harness	3 Phase
	44136401	Motor Contactor Harness	1 Phase
12	70389901	Steam Stove Limit Bypass Harness	Steam models
13	44201201	Steam Relay Harness	Steam models; 24 Volt
	44243401	Steam Relay Harness	Steam models; Use with F8322901P Valve on 200-240 Volt models
	44243501	Steam Relay Harness	Steam models; Use with F8322901P Valve on 380-480 Volt models
14	44157401	Reversing Contactor Jumper Wire	1 Phase; Upper
	44139501	Reversing Contactor Jumper	1 Phase; Lower
	44136801	Reversing Contactor Jumper Assembly	Upper
	44136901	Reversing Contactor Jumper Assembly	Lower
15	44142801	Steam Configuration Harness	Steam models

Control Tray Components for Gas Models

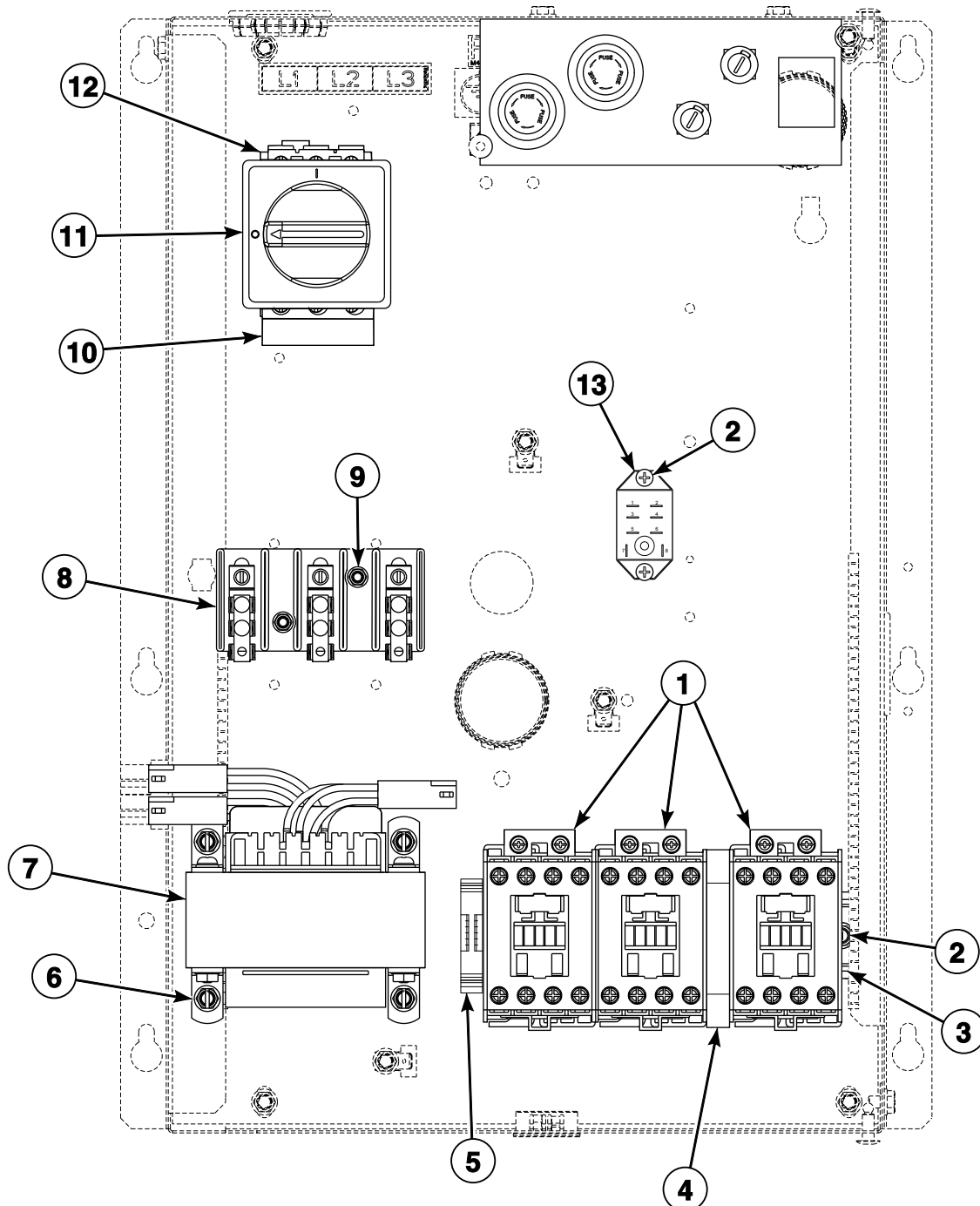


TMB3093P_70482101

Control Tray Components for Gas Models

REF	PART NO.	DESCRIPTION	COMMENTS
1	M413431	Pushbutton Switch	CE and Australian models
2	44264801	Ignition Control Kit	Non-CE and non-Australian models; Models through Serial No. 0907003061
	44264601	Ignition Control Kit	Non-CE and non-Australian models; Models starting Serial No. 0907003062
	44264901	Ignition Control Kit	CE and Australian models; Models through Serial No. 0907003061
	44264701	Ignition Control Kit	CE and Australian models; Models starting Serial No. 0907003062
3	38272	Screw	2 required; Models through 9/16/12
	51783	Screw	2 required; Models starting 9/17/12 through 3/10/13
4	70323701P	Contactator	3 required
5	430497	Screw	2 required
6	M412693	Din Rail	
7	F330186P	Interlock Contactator	
8	70121001	End Stop	
9	M411072	Screw	4 required
10	M414228P	Transformer	Multitap; 100-240 Volt
	M414229P	Transformer	Multitap; 380-480 Volt
	44074401	Transformer	Dual secondary; 440 Volt
	M414230P	Transformer	Single secondary; 120 Volt
	M414312P	Transformer	Dual secondary; 120 Volt
11	430642	Terminal Block	Use 70333001 Terminal Block Shield to protect terminal block
12	51783	Screw	2 required
13	M412366	Finger Guard	CE models; Models through 7/31/11
14	M412208	Handle	CE models; Models through 7/31/11; 44160701 Extension Handle attaches to operator handle; M412368 Interlock Door mounts under operator handle
15	M412187P	Mounting Switch Base	CE models; Models through 7/31/11; Use 51782 Screw to attach

Control Tray Components for Steam Models



TMB3094P_70482101

Control Tray Components for Steam Models

REF	PART NO.	DESCRIPTION	COMMENTS
	M4984P3	Steam Kit	Includes item 12, 44201201 Steam Relay Harness and 2 of M405188 Screw
1	70323701P	Contactora	3 required
2	430497	Screw	2 required
3	M412693	Din Rail	
4	F330186P	Interlock Contactora	
5	70121001	End Stop	
6	M411072	Screw	4 required
7	M414228P	Transformer	Multitap; 100-240 Volt
	M414229P	Transformer	Multitap; 380-480 Volt
	44074401	Transformer	Dual secondary; 440 Volt
	M414230P	Transformer	Single secondary; 120 Volt
	M414312P	Transformer	Dual secondary; 120 Volt
8	430642	Terminal Block	Use 70333001 Terminal Block Shield to protect terminal block
9	51783	Screw	2 required
10	M412366	Finger Guard	CE models; Models through 7/31/11
11	M412208	Handle	CE models; Models through 7/31/11; 44160701 Extension Handle attaches to operator handle; M412368 Interlock Door mounts under operator handle
12	M412187P	Mounting Switch Base	CE models; Models through 7/31/11; Use 51782 Screw to attach
13	M412534	Relay	24 Volt

Parts Index

A

Access Panel 44012702P	37
Access Panel Trim 70399404	37
Actuator Arm Assembly H96387501	77
Adjustable Buzzer D505447	21
Airflow Switch and Arm Bracket 70319601	65
Airflow Switch Arm 70319401	65
Airflow Switch Kit 70429601P	65
Airflow Switch Vane 70319201	65

B

Ball Bearing H87672374	55
M401375P	61
M414367	55
Base Bracket H96428693	57, 63
Base Harness 44162801	47
Bearing Mounting H96428008	53
Bearing Retainer M401370	61
Belt H87532685	61
H87533014	55
Belt Adjustment Tube H96428487	55, 57
Belt Guard 44159701	49
44159801	49
44159901	49
44159902	49
Belt Guard Side 44160001	49
44160101	49
Belt Set H87533816P	55
Blower Cover M414237	61
Bolt H8830143H	51
44017901	45
Burner M412025P	67, 69, 71
Burner Hole Cover 44171501	67, 69
Burner Opening Cover M413099	67, 69

44249601	71
Burner Orifice M400995	69
M400997	75
M401017	75
M401021	75
M402995	75
M411371	75
M411372	75
M411373	75
M411374	75
Burner Shutter M413795	69
Bushing H87529111P	57
H8752922HP	61
H8752985HP	55
M409844	79
M411537	47, 49
M412917P	61
M412995P	63
M414459	77
Buzzer Kit M4860P3	17
Bypass Harness 70364103	15, 19, 23, 27, 29

C

Cable Tie M405829	71
Cam and Hinge Kit M4772P3	43
M4773P3	43
Circuit Board Support D501523	31
Circuit Plug, 1 26302	59
Clevis Pin 44091501	77
Clip M400976	49
M400984	49
Coil Filter H96362264	77, 79
Contact Base F8538101	15, 19, 27, 29
Contact Block Switch F200233400	15, 19, 29
F200233401	27
Contact Switch F8069501	15, 19, 27, 29
Contacto 70323701P	91, 93
Contacto Box Base 44133701	85
Contacto Box Cover 44134001	85
44134002	85
Contacto Box Side 44158901	85

N/A items do not appear in index.

44028903	39
44029101	39
44058102P	39
44112101	39
44266701	39
44292301B	39
44292301LG	39
70407402	39
Door Glass	
44008401P	41
44008402P	41
Door Glass Installation Tool	
M4221P4	41
Door Handle	
44007901	41
44057702	41
44263801	41
Door Hinge	
44075207B	43
Door Hinge Assembly	
44075201*	43
44075202	43
44075207LG	43
44075210	43
Door Hinge Lug Assembly	
44035001	33, 43
44035002	33, 43
Door Latch	
M401223	33
Door Ring and Handle Assembly	
44112001	41
44326007B	41
44326007LG	41
Door Ring Assembly	
44326001	41
44326002	41
44326003B	41
44326004B	41
Door Ring Gasket	
44008201P	41
Door Seal Kit	
70211902P	41
Door Switch	
44018201	33
Door Switch Actuator Kit	
70215001P	43
Door Switch Cover	
44001301	33
Door Switch Harness	
44162501	33
Door Switch Wire Channel	
44001802	33
Drive Chain	
H96388186	77
Drive Rivet	
M400713	15, 17, 31
Drive Wheel	
H96388178	77

E

Earth Terminal Sticker	
M412096	85

Elbow	
F421107	69
70079601	69
Electronic Control	
44037801P	21
Emergency Stop Contact Harness	
70364105P	15, 19
Emergency Stop Harness	
70364106P	15, 19, 27, 29
Emergency Stop Label	
44012901	15, 19, 27, 29
Emergency Stop Pushbutton	
F200233500	15, 19, 27, 29
End Stop	
70121001	91, 93
Ethernet Gateway Kit	
NK320	29
Exhaust Duct Box Wrap	
M412391	49
Expansion Clip	
70030501	15, 17, 25, 27, 29, 85

F

Fan	
H96368469	61
Fan Bearing Bracket	
M414235	61
Fan Bearing Conversion Kit	
M4680P3	61
Fan Motor	
44313501P	63
Fan Motor Harness	
44242601	63
Ferrite Core Assembly	
M413930P	15, 21, 23
Fill Hose Kit	
38349P	31
Filter	
44172101	77, 79
Filter Channel	
44045101	77, 79
Finger Guard	
M412366	91, 93
Fire Suppression System Label	
44128901	33
Flange Bearing	
44048301P	53
Front Access Panel	
44012701*P	37
44012707*P	37
44012708	37
44012709B	37
44012709LG	37
44012712DG	37
44012713	37
44012714	37
Front Access Panel and Door Hinge Kit	
M4787P3	37, 43
Front Panel	
44012502P	35
44012503LG	35
44012504	35

N/A items do not appear in index.

44012505W.....	35
44012506DG.....	35
44012508.....	35
44078103.....	35
Front Panel Assembly	
44078101WP.....	35
Fuse	
44310001.....	87
70406501.....	87
70406601.....	87
70406701.....	87
Fuse Bracket	
70306901.....	87
70313602.....	87
Fuse Cover	
70313301.....	85
Fuse Holder	
44155601P.....	87
Fuse Holder Body	
70329401P.....	87
Fuse Holder Cap	
70329501.....	87
Fuse Label	
70337201.....	85
70337301.....	85
70337401.....	85

G

Gas Disconnect Harness	
70342101.....	89
Gas Stove Assembly	
44198701.....	67, 69
44243901.....	71
Gas Valve	
M413470P.....	67, 71
44166701.....	67, 71
44166702.....	67, 71
44178301P.....	69
44178302P.....	69
44227201.....	71
44227202.....	71
Gas Valve Bracket	
M411259.....	67
44117501.....	69
44245701.....	71
Gas Valve Harness	
44199101.....	69
70184001.....	71
Gas Valve Harness Assembly	
M413650.....	71
Gas Valve Kit	
M4883P3.....	67, 71
Graphic Overlay	
44240501.....	23
Ground Decal	
F230739.....	85
Ground Lug Connector	
M411283.....	85
Guard Extension	
44222501.....	49

H

Hairpin Cotter	
44091601.....	77
Handle	
M412208.....	91, 93
Handle and Caps Assembly	
44049903.....	45
44049904.....	45
Handle Bar	
70399501B.....	41
Handle Bumper	
70407204.....	45
70407212.....	45
Harness Assembly	
M412997.....	67, 71, 77
Harness Strap	
55881.....	33
High Temperature Ignition Lead	
44061602P.....	67, 69
High Voltage Suppression Cable	
44239703.....	67, 69, 71
Hole Plug	
F8223801.....	85
Hose	
44073303.....	31
Hose Clamp	
20391.....	71
36801.....	31
Hose Fitting	
44069101.....	31

I

Idler Housing	
M412612.....	61
Idler Housing Assembly	
M412630.....	61
Idler Shaft	
M414241.....	61
Igniter Cover	
70159601.....	71
Ignition Control	
70458601P.....	71
70483201P.....	71
Ignition Control Harness	
44136601P.....	89
44186701.....	89
44186901.....	89
44251201.....	89
44251601.....	89
44251701.....	89
Ignition Control Kit	
44264601.....	91
44264701.....	71, 91
44264801.....	91
44264901.....	91
Insulation	
M411593.....	49
Interlock Contactor	
F330186P.....	91, 93

N/A items do not appear in index.

J

Jackshaft Assembly	
H96357751	55
Jumper Calibration Wire	
70084305	15
70324604	17, 27, 29
Jumper Configuration Assembly	
M413507	89
M413510	89
Jumper Harness Assembly	
M413506	89
M413508	89
Junction Box Harness	
44136701P	89

K

Key	
H8752006H	57
M400993	61
M401327	61
70155601	31
Kickplate	
70117611	45
70117612	45

L

Label	
44108201	33
44190901	33
70414001	37
Light	
801432	31
Limit Thermostat	
M411403	61
M411946	61
Lint Panel	
44012301*P	45
44012302P	45
44012303LG	45
44012304	45
44012304DG	45
44012305	45
44012306	45
44012307	45
Lint Panel Clip	
44017801	45
Lint Panel Switch Bracket	
44013401	47
Lint Panel Switch Cover	
44026801	47
Lint Screen	
44063603P	49
44077703P	49
Loading Spring	
M400401	61
Lock, Key and Nut Kit	
44089301P	31

L.P. Conversion Kit	
M4592P3	67, 71
44240402P	71
L.P. Gas Conversion Kit	
M4974P3	67, 71
L.P. Valve Conversion Kit	
44240401P	71

M

Main Harness	
44162401	13
44243701	13
44251301	13
Male Tab Terminal	
00177	21, 23, 85
Manifold	
44079601	31
44079602	31
Manifold End Bracket	
44173801	67, 69, 71
Manual Reset Thermostat	
M413989	67, 69, 71
Master Link	
H96382072P	77
Membrane Switch	
M414368P	15
44037901P	21
Mixing Valve	
36958P	31
Mixing Valve Shield Bracket	
44065701	31
Moisture Sensing Harness Kit	
44344701	59
Moisture Sensor Harness Assembly	
44209201	59
Moisture Sensor Test Wires	
70468901	59
Motor	
44046601P	63
44052901P	57
44053001P	57
44157601	57
44313601	63
Motor Base	
M413171	57, 63
Motor Bracket	
H96388145	77
Motor Contactor Harness	
44136401	89
44137001P	89
44139901P	89
44142601P	89
Mount Bracket	
M414276	85
Mounting Switch Base	
M412187P	91, 93

N

Nameplate	
B12389801	37

N/A items do not appear in index.

F8443102.....	37
44010401.....	37
44010601.....	37
44035801.....	37
44046801.....	37
70243901.....	37
70348501.....	37
70509601.....	37
70522001.....	37
Nameplate Overlay	
44104501.....	37
44130501.....	37
44144401.....	41
44235401.....	37
70128901.....	37
70410201.....	37
70411401.....	41
Network Capacitor Assembly	
M413863.....	89
Network Capacitor Harness Assembly	
44143401P.....	89
Network Controller Kit	
NK220.....	29
Network Retrofit Kit	
NK209.....	29
Nipple	
H85101608.....	69
H85101673.....	67, 69
M403934.....	69
Nut	
F430232.....	85
H88412101.....	51, 53, 55, 57, 63
M400035.....	59
M400977.....	15, 19, 25, 37
M412334.....	51
M412986.....	57
M414215.....	41
02788.....	33
20274.....	53, 55, 63
23951.....	43, 49, 77, 79
24205.....	17
29786.....	33, 63, 77, 79
29787.....	17, 21, 23
44071201.....	41
44087101.....	45
70030401.....	33, 37
70054.....	15, 17, 21, 23, 25, 29, 45, 49
70142.....	57, 63, 77

O

Output Bracket	
44223101.....	25
44223201.....	29
44223401.....	29
Output Harness	
44186101.....	25, 29
Overlay	
44130001.....	15
70128401.....	15
70128601.....	15
70130501.....	15
70130701.....	15
70135301.....	15
70362202.....	17
70362402.....	17

70362502.....	17
70432201.....	29
70445002.....	25
70445004.....	25
70462401.....	25
70462701.....	25
70462901.....	25
70472201.....	25
70472401.....	25
70493701.....	25
70494002.....	17
70499001.....	29
70504702.....	17
70504901.....	25
70508601.....	25
70526001.....	25

P

Panel Locator	
56079.....	17
Pipe Bracket	
M411498.....	67, 69
44175801.....	85
44249301.....	71
Pipe Cap	
44087801.....	67, 69, 71
44165901.....	67, 69
Pipe Elbow	
44249401.....	71
Pipe Keeper Bracket	
44117901.....	69
Pipe Nipple	
M411417.....	67
M413023.....	67, 69
44249501.....	71
44252301.....	71
44252401.....	71
70435601.....	69
901403.....	69
Pipe Union	
M411419.....	67, 69, 71
Plug	
M400985.....	85
Pop Rivet	
430725.....	27, 29, 47
44166601.....	33
70058501.....	43, 85
70058502.....	85
70126301.....	41, 45
70126401.....	45
Porcelain Touch-Up Paint	
122P4P.....	33
370P4P.....	33
Power Harness	
44136201P.....	89
44136301P.....	89
44139801P.....	89
Pushbutton Switch	
M413431.....	91
Push-to-Start Switch	
801434W.....	31

N/A items do not appear in index.

R

RC Filter Kit	
M4457P3	15
Reducing Tee	
M413020	67, 69
44117401	69
Relay	
M412534	15, 21, 23, 93
Relay/Buzzer Bracket	
44041701	15, 21, 23
Retaining Ring	
H88602263	55
H88603477	55
Reversing Contactor Harness	
44139601P	89
Reversing Contactor Jumper	
44139501	89
Reversing Contactor Jumper Assembly	
44136801	89
44136901	89
Reversing Contactor Jumper Wire	
44157401	89
Rib Wire	
44208101	59
Rocker Switch	
44099601	17
70455101	17
70461301	17
Rod End	
44048501	55, 57, 63
Roll Pin	
H88970256	77
Roller Catch	
H87020202	45, 49
Roller Catch Mounting Bracket	
44014001	45
Rotation Sensor	
F8066201	83
Rotation Sensor Bracket	
44111101	83
Rotation Sensor Harness	
44201701	83
Rotation Sensor Kit	
7009P	21, 23
7010P	21, 23, 83

S

Screw	
D501086	23, 45, 77, 79
D501524	25, 27, 29
F430909	85
F8206901	85
H88010038	63
H88010574	77
H88012034	53
H88213996	53
M400043	61
M400044	43, 49
M400056	57, 63
M400063	55, 57
M400661	41

M402574	33
M405188	77
M411072	49, 91, 93
M411165	53
02422	77, 79
22688	55, 63
38272	71, 91
430497	15, 17, 31, 47, 49, 65, 67, 69, 71, 79, 91, 93
430757	45
431287	33
44023301	33
44161501	63
44337201	59
51780	31, 71
51782	67, 69, 71
51783	71, 91, 93
61199	41, 45, 49, 77
70033504	33, 43
70182601	33, 37
70187202	61
70409801	43
70442101	43
800930	15, 17, 19, 25, 27, 29
801019	77, 79
Security Cover Kit	
M4795P3W	15, 17, 19
Sensor Harness Assembly	
44166801	31
Shaft Collar	
M414451	77
Shaft Wire	
44208201	59
Sheave	
H8752026H	55, 57
H87520334	55, 57
H8752060H	61, 63
H8752065H	61, 63
H8752251H	55
Sleeve	
44050601	23
Slip Ring Assembly	
44222701	59
Snap Bushing	
M400770	33
M402542	69
M405340	85
44071501	71
70178701	31, 67, 85
Solenoid Valve DIN Connector	
70370301P	81
Spacer	
M401402	51, 53
431264	27, 29
Spark Electrode	
44328701P	67, 69, 71
Spray Paint	
298P4P	33
381P4	33
382P4	33
Spring Pin	
H88900683	77
Spud Holder	
M411736	67, 69
Spud Holder Weldment	
44245801	71

N/A items do not appear in index.

Steam Coil	
M409833P	77, 79
M409834P	77, 79
Steam Coil Housing Cover	
44018501	77
Steam Coil Housing End	
44115001	79
Steam Coil Support	
M412201	77, 79
Steam Configuration Harness	
44142801	89
Steam Cover	
44114601	79
44115201	77
Steam Damper Actuator	
44096501	77
Steam Filter Top Hinge Assembly	
44088101	77, 79
Steam Heater Assembly	
M414485	77
M414490P	77
44114801	79
Steam Kit	
M4984P3	93
Steam Relay Harness	
44201201	89
44243401	89
44243501	89
Steam Solenoid	
70351011P	81
70351012	81
Steam Stove Limit Bypass Harness	
70389901	89
Steam Valve	
F8322902	81
F8322903	81
Steam Valve Interface Harness	
44243601	77, 79, 89
Steam Valve Rebuild Kit	
70351021P	81
Step Pulley and Bearing Kit	
M4696P3	55
Stove Gasket	
M411505	67, 69
Stove Limit Harness Bracket	
431078	67, 69, 71
Stove Limit Thermostat	
M411404	67, 71
431177	67, 71
Stove Partition Gasket	
M411506	67
Switch	
70411901	65
Switch Assembly	
70413401	47
Switch Bracket	
70356301	65
Switch Plate	
M413236	17

T

Temperature Knob	
44104601	17
Temperature Selector Switch	
D511711	17
Temperature Selector Switch Bracket	
70391701	17
Terminal Block	
430642	91, 93
Thermistor	
M414704	49
44064701	31
Thermistor Bracket Assembly	
44051301	49
Thermostat	
H8900530H	61
M413988	67, 69, 71
Thermostat Cover	
M414477	67, 69, 71
Top Access Panel Gusset	
44028301DG	37
44028301LG	37
44028301*	37
44028302LG	37
44028302*	37
Transformer	
M414228P	91, 93
M414229P	91, 93
M414230P	91, 93
M414312P	91, 93
44074401	91, 93
Trunnion Assembly	
44240801	51
44240802	51

U

Union	
H86000031	69
USB Gateway Kit	
NK330	29
USB IR Interface Kit	
203346	25, 29

V

Valve	
F8322901P	81
F8322906P	81
Valve Coil	
F8514801	81
Valve Kit	
F8521701	81
Valve Rebuild Kit	
F8379502	81
Valve Replacement Kit	
M4904P3	73
M4905P3	73
M4908P3	73
M4909P3	73

N/A items do not appear in index.

W

Washer

M400013	57, 63, 77
M400014	55, 57, 61, 63
M400015	53, 55, 57
M400080	57, 61, 63
M400081	55
M405535	45
03815	15, 17, 19, 25, 29
44238902	59
70261401	51, 53, 55, 57, 63
70409301	41
800465	33, 77

Water Hose

F200116	31
---------------	----

Wire Label

70218701	85
70218801	85
70219001	85

Wireless Network Kit

NK309	29
-------------	----
