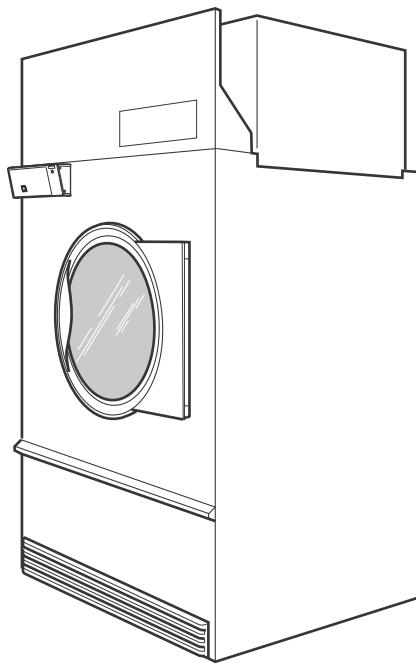


Tumble Dryer

200 Pound Capacity
Starting Serial No. 1003000000
Refer to Page 5 for Model Numbers



TMB1268C_70574101

Table of Contents

Title	Page
Parts Ordering Information.....	3
Serial Plate Location	3
Model Identification	5
Product Overview - Heat Source and Voltage	6
Product Overview - Control Suffixes (Drawing 1 of 2).....	8
Product Overview - Control Suffixes (Drawing 2 of 2).....	10
Interior Control Box	12
Exterior Control Box - RQ Control Suffix (Drawing 1 of 2)	14
Exterior Control Box - RQ Control Suffix (Drawing 2 of 2)	16
DX4 Control Box - B Models with R3 Control Suffix.....	18
Exterior Control Box - RE Control Suffix (Drawing 1 of 2).....	20
Exterior Control Box - RE Control Suffix (Drawing 2 of 2).....	22
Exterior Control Box - RU Control Suffix	24
Fire Suppression System Control Box	26
Cabinet Front Components	28
Cabinet Front Panel	30
Cabinet Front Panels and Nameplates	32
Door Assembly.....	34
Door Components	36
Hinge Components	38
Lint Panel Components.....	40
Lint Panel Switch Assembly	42
Lint Screen and Drive Guard	44
Cylinder and Trunnion Assembly	46
Trunnion Bearings.....	48
Drive Sheave, Step Pulley and Belts	50
Cylinder Drive Motor	52
Moisture Sensing Components	54
Fan Assembly	56
Fan Motor Assembly	58
Airflow Switch.....	60
Gas Heater Components	62
Burner Orifices for Non-CE and Non-Australian Gas Models	64
Steam Heater Components - Except B, C and I Models.....	66
Steam Heater Components - B, C and I Models.....	68
Steam Solenoid Valve.....	70
Rotation Sensor	72
Control Tray Wrap Components	74
Control Tray Fuses	76
Control Tray Harnesses	78
Control Tray Components for Gas Models	80

© Copyright 2018, Alliance Laundry Systems LLC

All rights reserved. No part of the contents of this book may be reproduced or transmitted in any form or by any means without the expressed written consent of the publisher.

Control Tray Components for Steam Models.....	82
Parts Index.....	85

Parts Ordering Information

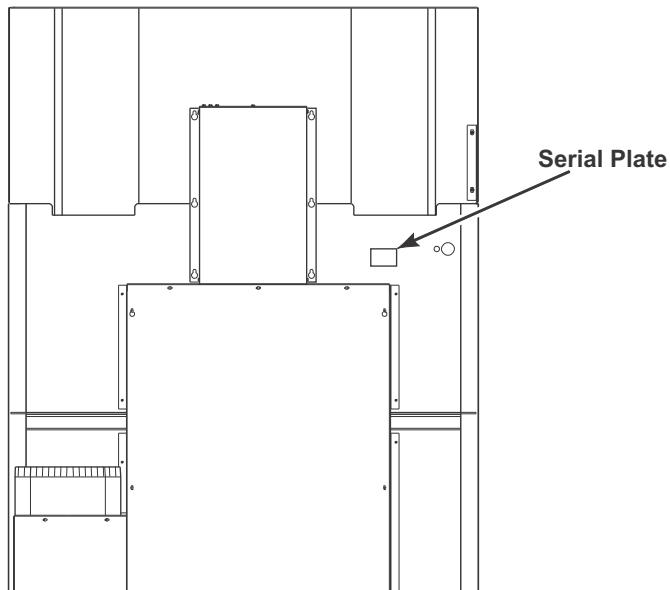
If literature or replacement parts are required, contact the source from whom the machine was purchased or contact Alliance Laundry Systems at (920) 748-3950 for the name and address of the nearest authorized parts distributor.

For technical assistance, call the number listed below:

(920) 748-3121 Ripon, Wisconsin

Serial Plate Location

When calling or writing about your product, be sure to mention model and serial numbers. Model and serial numbers are located on serial plate(s) as shown.



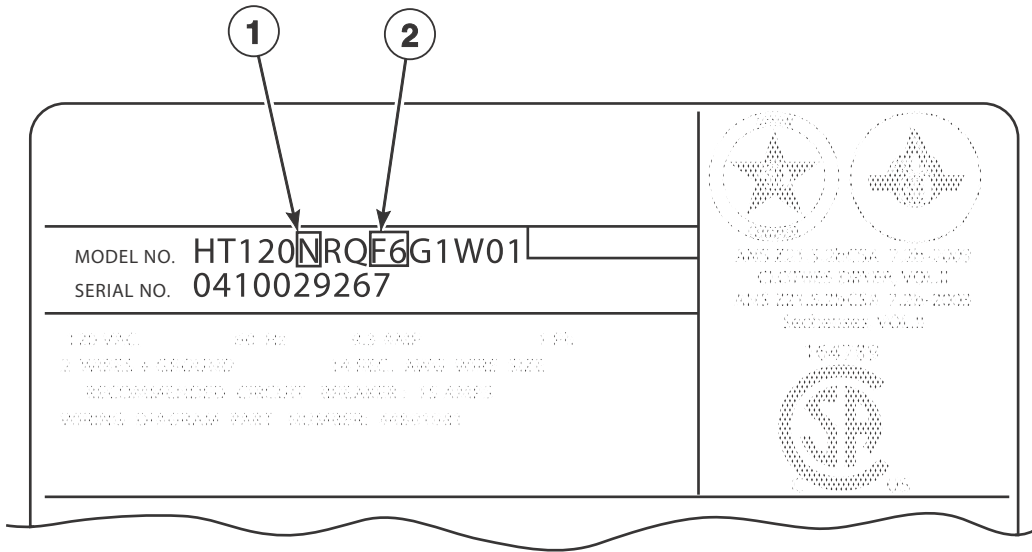
TMB3212P_70574101

Model Identification

Information in this manual is applicable to these tumble dryer models:

BA200L	GA200L	IT200L	LA200L	PA200L	UA200L
BA200N	GA200N	IT200N	LA200N	PA200N	UA200N
BH200L	GH200L	IT200S	LT200L	PH200L	UH200L
BH200N	GH200N	IT200T	LT200N	PH200N	UH200N
BH200S	GH200S	KA200L	LT200S	PH200S	UH200S
BK200N	GK200N	KA200N	LT200T	PT200L	UK200N
BT200L	GT200L	KK200N	LU200L	PT200N	UT200L
BT200N	GT200N	KT200L	LU200N	PT200S	UT200N
BT200S	GT200S	KT200N	LU200S	PT200T	UT200S
BT200T	GT200T	KT200S	LU200T	PU200L	UT200T
BU200L	GU200L	KT200T	NH200L	PU200N	UU200L
BU200N	GU200N	KU200L	NH200N	PU200S	UU200N
BU200S	GU200S	KU200N	NH200S	PU200T	UU200S
BU200T	GU200T	KU200S	NT200L	SA200L	UU200T
CA200L	HA200L	KU200T	NT200N	SA200N	
CA200N	HA200N		NT200S	SH200L	
CK200N	HH200L		NU200L	SH200N	
CT200L	HH200N		NU200N	SH200S	
CT200N	HH200S		NU200S	SK200N	
CT200S	HK200N			ST200L	
CT200T	HT200L			ST200N	
CU200L	HT200N			ST200S	
CU200N	HT200S			ST200T	
CU200S	HT200T			SU200L	
CU200T	HU200L			SU200N	
	HU200N			SU200S	
	HU200S			SU200T	
	HU200T				

Product Overview - Heat Source and Voltage



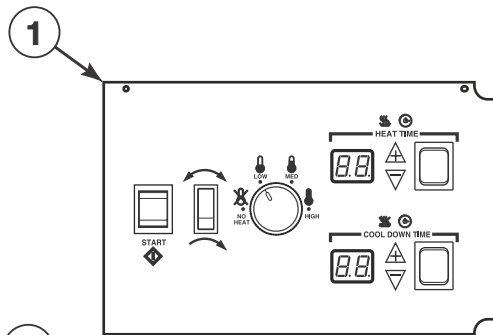
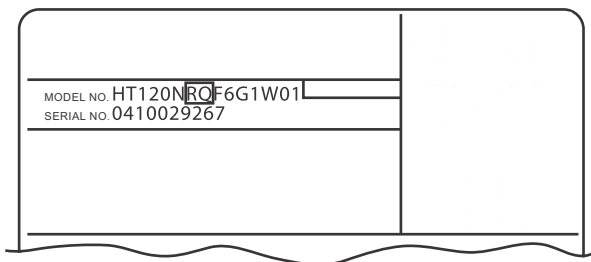
TMB2907P_70574101

Product Overview - Heat Source and Voltage

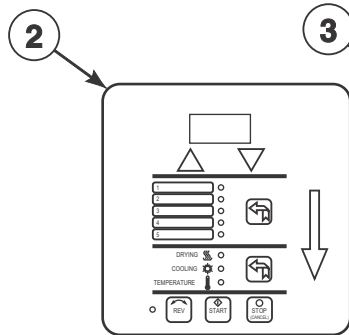
REF	PART NO.	DESCRIPTION	COMMENTS
1	-	Heat Source	L: Liquid Petroleum Gas (L.P.) N: Natural Gas (N.G.) S: Steam T: Thermal Oil
2	-	Voltage	F6: 200-208 or 240 Volt/60 Hertz/3 Phase J5: 230 Volt/50 Hertz/3 Phase J8: 240 Volt/60 Hertz/3 Phase M1: 380 Volt/50 Hertz/3 Phase M2: 380 or 400-415 Volt/50 Hertz/3 Phase M3: 380 Volt/60 Hertz/3 Phase N1: 400-415 Volt/50 Hertz/3 Phase P1: 440 Volt/60 Hertz/3 Phase Q1: 460-480 Volt/60 Hertz/3 Phase Q2: 480 Volt/60 Hertz/3 Phase

Product Overview - Control Suffixes (Drawing 1 of 2)

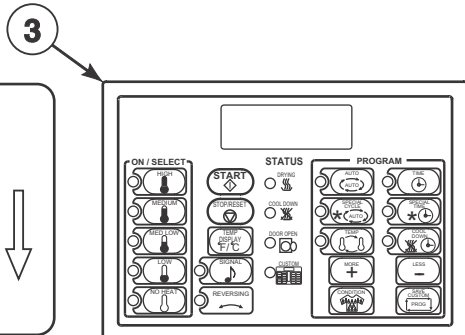
All Models Except G and K Models



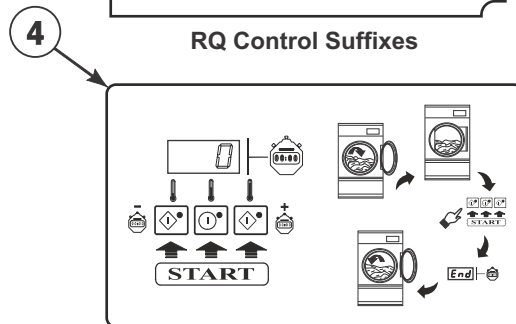
RQ Control Suffixes



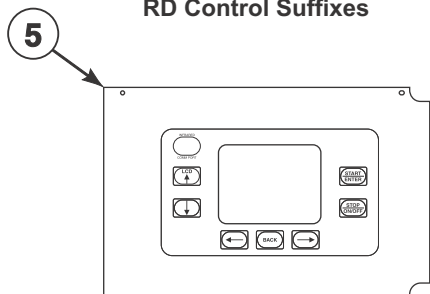
RD Control Suffixes



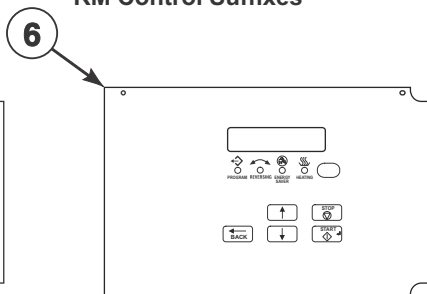
RM Control Suffixes



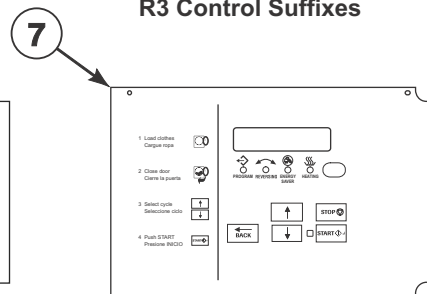
R3 Control Suffixes



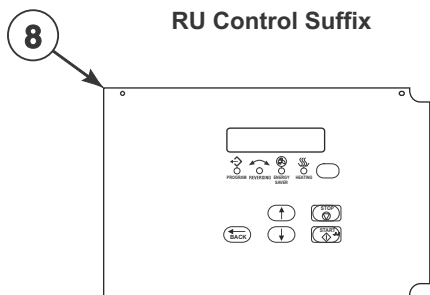
RU Control Suffix



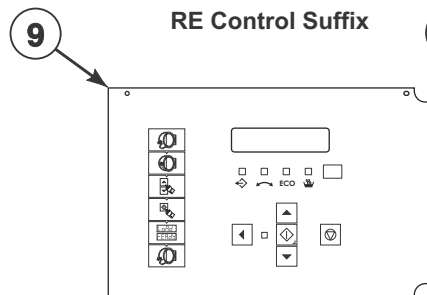
RE Control Suffix



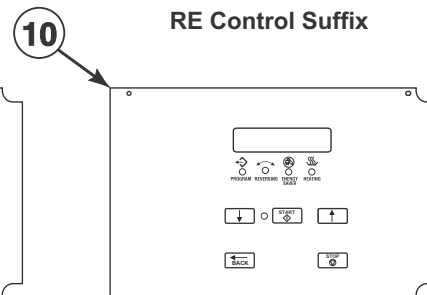
RE Control Suffix



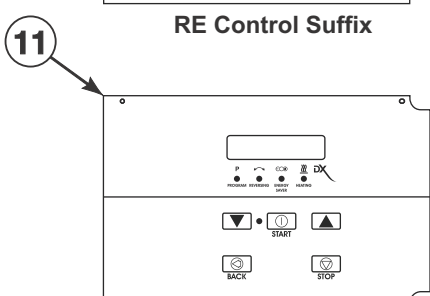
RE Control Suffix



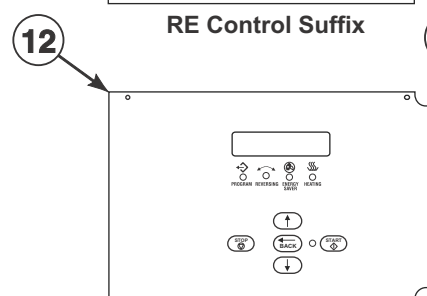
RE Control Suffix



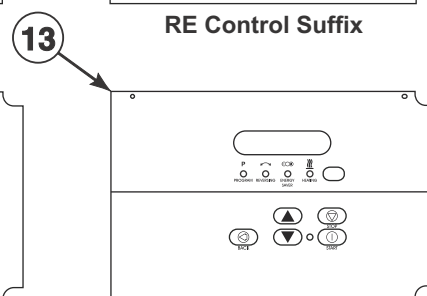
RE Control Suffix



RE Control Suffix



RE Control Suffix



RE Control Suffix

TMB3355P_70574101

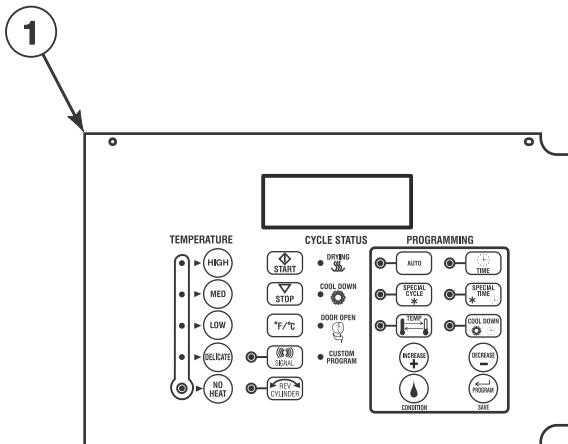
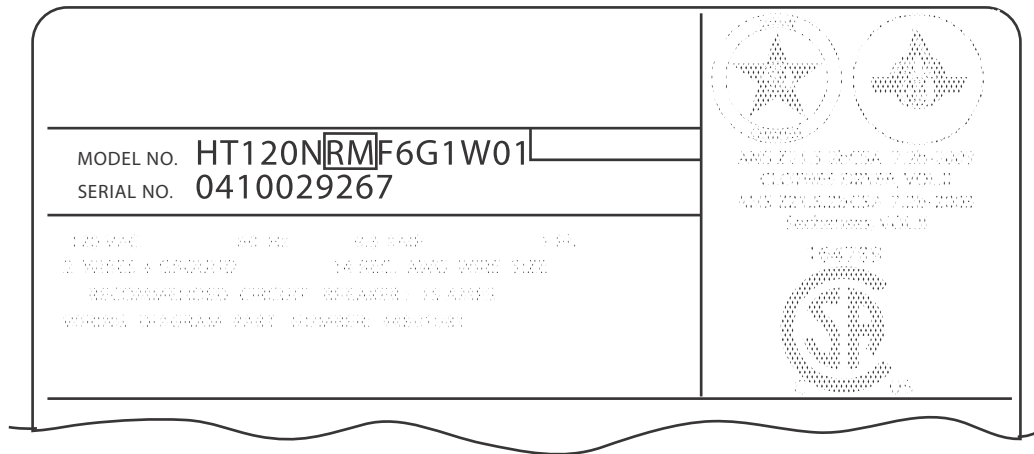
Product Overview - Control Suffixes (Drawing 1 of 2)

REF	PART NO.	DESCRIPTION	COMMENTS
1	-	Control - Reversing	RQ: reversing dual digital timer
2	-	Control - Reversing	RD: reversing DMP OPL
3	-	Control - Reversing	RM: reversing OPL micro
4	-	Control - Reversing	R3: reversing DX4 OPL
5	-	Control - Reversing	U models; RU: reversing UniLinc OPL
6	-	Control - Reversing	S models; RE: reversing LED OPL
7	-	Control - Reversing	H models; RE: reversing LED OPL
8	-	Control - Reversing	U models; RE: reversing LED OPL
9	-	Control - Reversing	B, C and I models; RE: reversing LED OPL
10	-	Control - Reversing	P models; Models through 9/30/14; RE: reversing LED OPL
11	-	Control - Reversing	P models; Models starting 10/1/14 through 5/31/15; RE: reversing LED OPL
12	-	Control - Reversing	N models; L models through 5/31/15; RE: reversing LED OPL
13	-	Control - Reversing	L and P models; Models starting 6/1/15; RE: reversing LED OPL

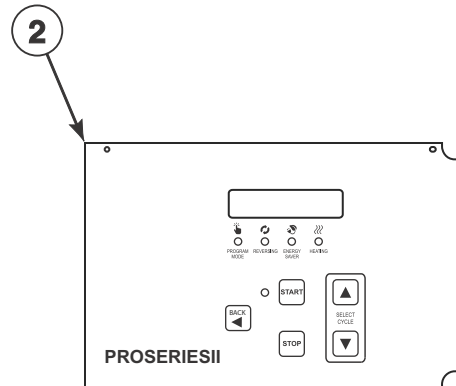
NOTE: OPL models have the following control suffixes: R3, RD, RE, RM, RQ and RU.

Product Overview - Control Suffixes (Drawing 2 of 2)

G and K Models



RM Control Suffixes



RE Control Suffix

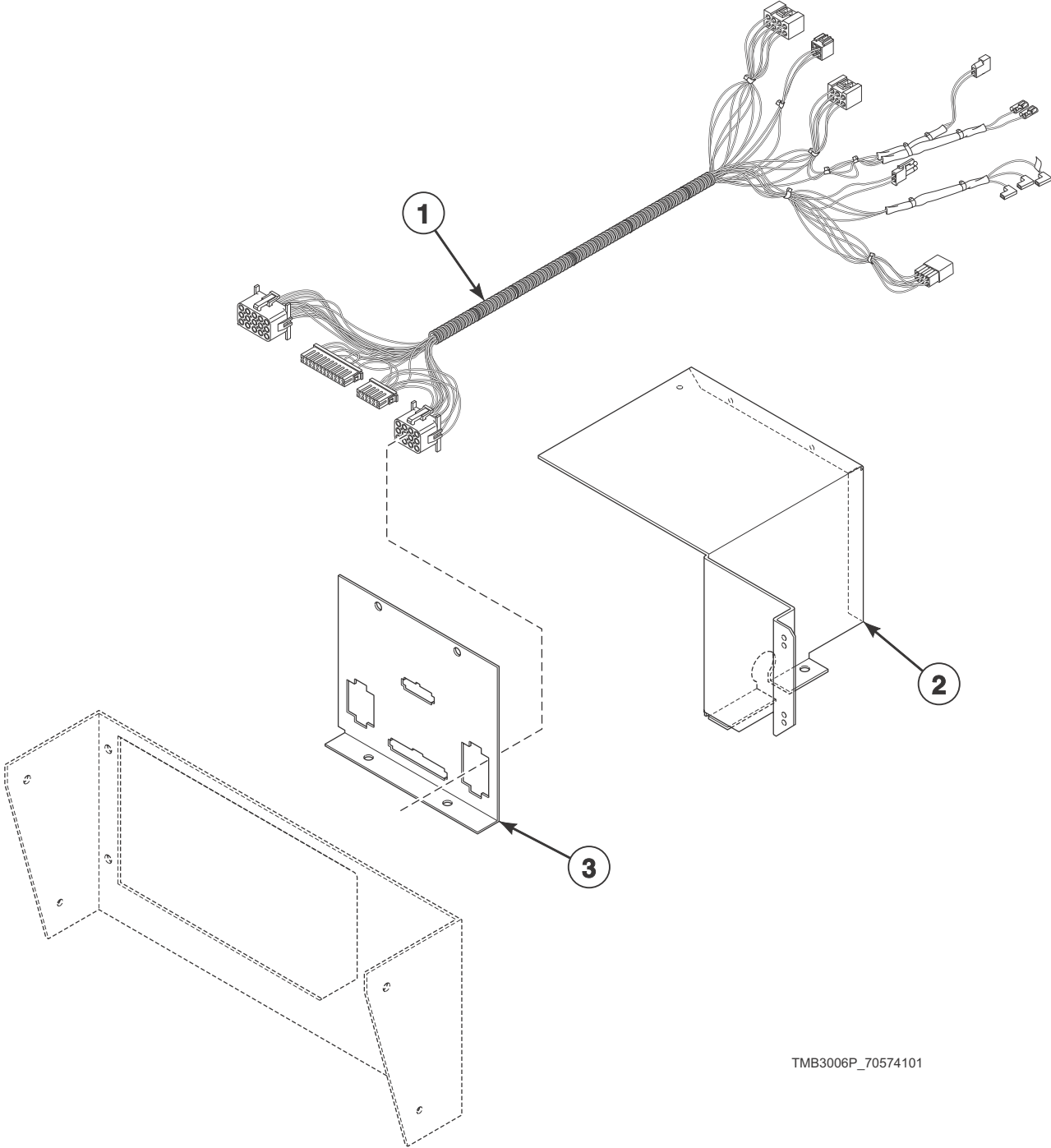
TMB3145P_70574101

Product Overview - Control Suffixes (Drawing 2 of 2)

REF	PART NO.	DESCRIPTION	COMMENTS
1	-	Control - Reversing	RM: reversing OPL micro
2	-	Control - Reversing	RE: reversing LED OPL

NOTE: OPL models have the following control suffixes: RE and RM.

Interior Control Box



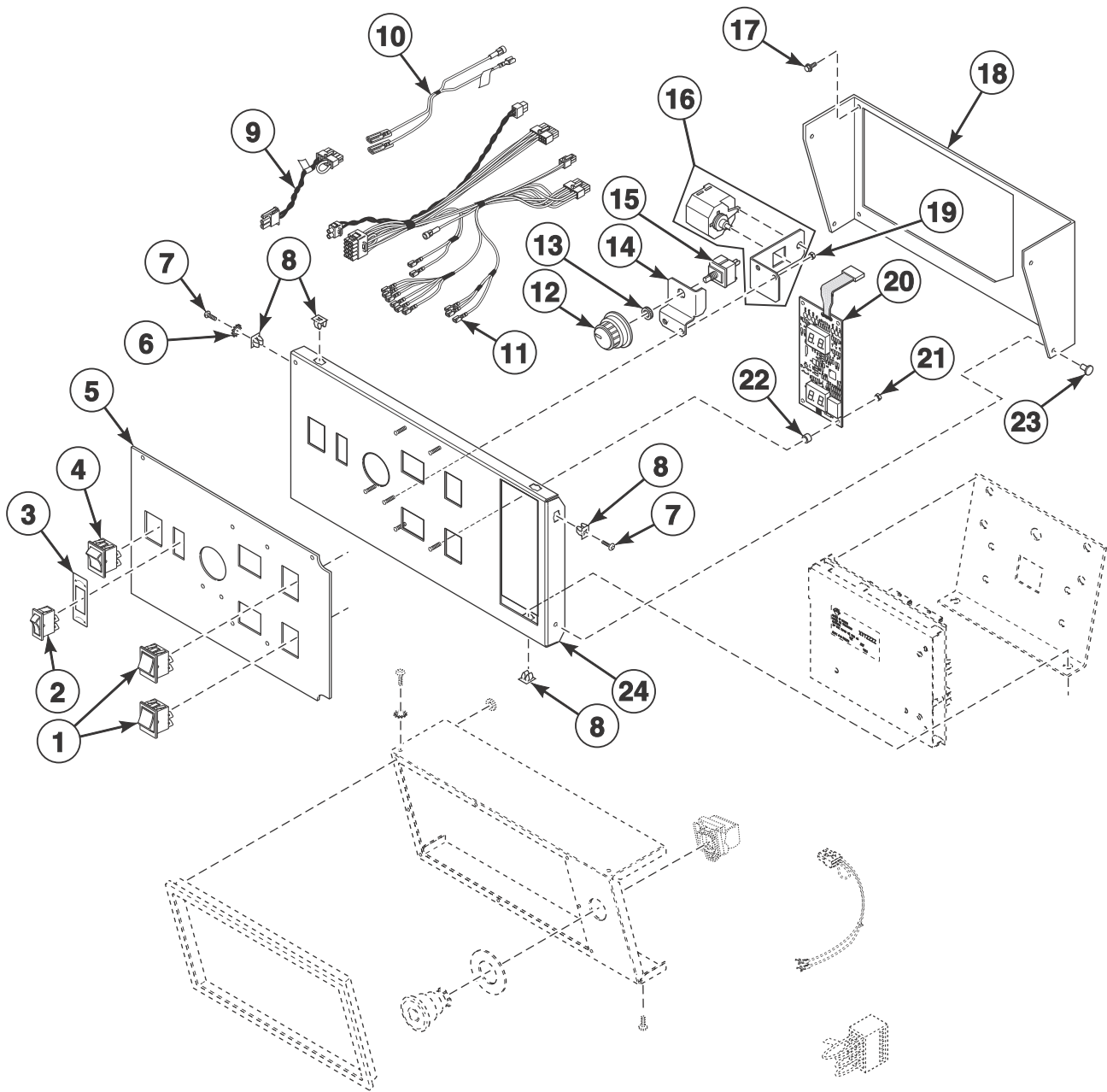
TMB3006P_70574101

Interior Control Box

REF	PART NO.	DESCRIPTION	COMMENTS
1	44251501	Main Harness	Gas models
	44226901	Main Harness	Steam models
2	44161001	Control Box	
3	44161101	Control Housing Cover	

Exterior Control Box - RQ Control Suffix (Drawing 1 of 2)

C, G, H, I, K, L, N, P, S and U Models



TMB3295P_70574101

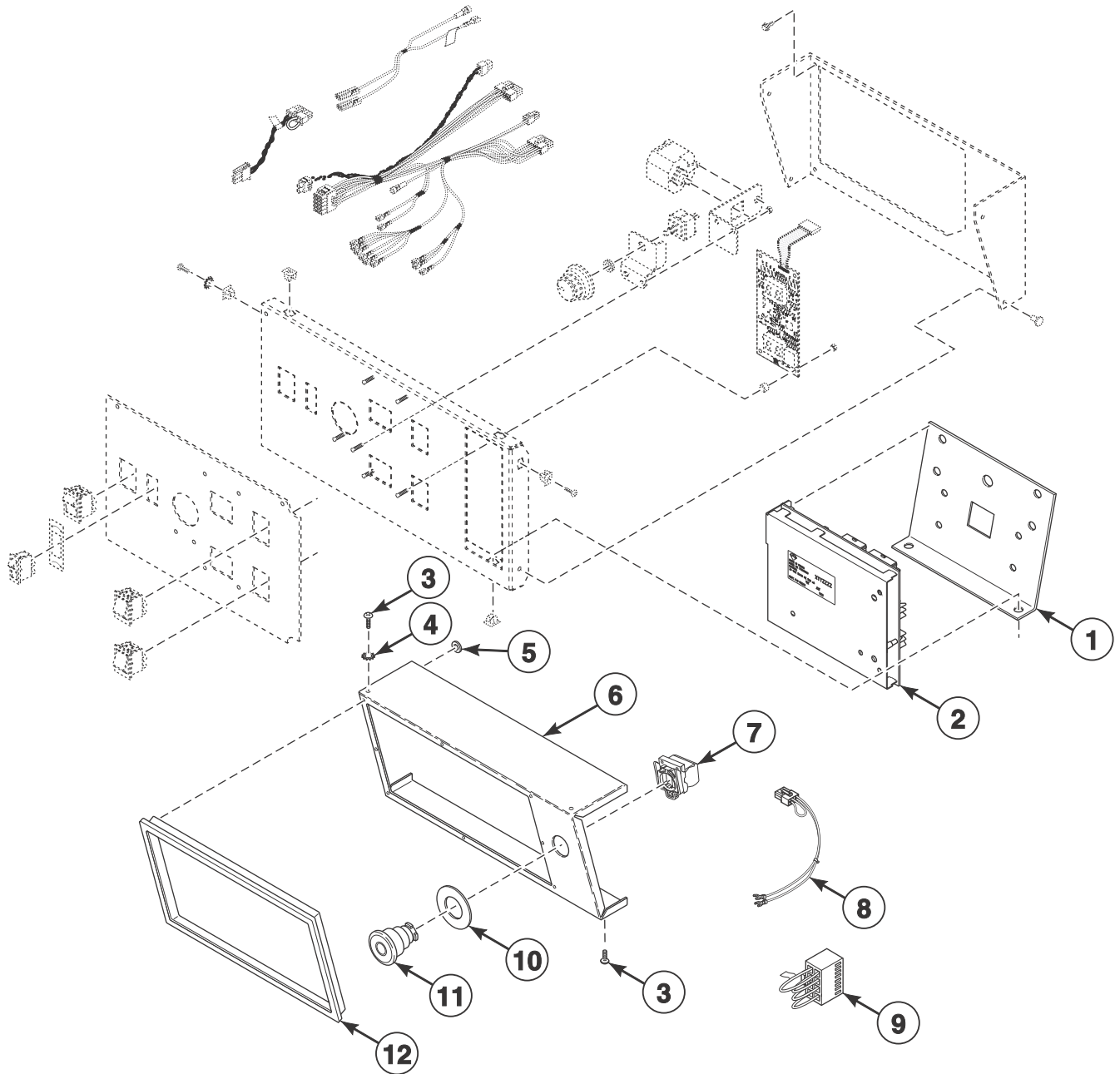
Exterior Control Box - RQ Control Suffix (Drawing 1 of 2)

REF	PART NO.	DESCRIPTION	COMMENTS
	M4795P3W	Security Cover Kit	
1	70461301	Rocker Switch	2 required
2	44099601	Rocker Switch	Reversing
3	M413236	Switch Plate	Reversing
4	70455101	Rocker Switch	Start
5	70362202	Overlay	G, K, L, N and S models; C and I models through 7/14/14; U models through 8/17/14; P models starting 1/15/15
	70504702	Overlay	C and I models starting 7/15/14; Reversing
	70494002	Overlay	U models; Models starting 8/18/14
	70362502	Overlay	H models
	70362402	Overlay	P models through 1/14/15
6	03815	Washer	
7	800930	Screw	
8	70030501	Expansion Clip	6 required
9	70324604	Jumper Calibration Wire	
10	44100101P	Control Harness	Jumper
11	70367001P	Control Panel Harness	
12	44104601	Temperature Knob	
13	24205	Nut	
14	70391701	Temperature Selector Switch Bracket	
15	D511711	Temperature Selector Switch	
16	M4860P3	Buzzer Kit	Includes bracket, buzzer and wire harness
17	430497	Screw	
18	44099501*	Control Mounting Bracket	
	44099504LG	Control Mounting Bracket	U models; Light gray
	44099502	Control Mounting Bracket	Stainless steel; Models through 3/31/15
	44099505	Control Mounting Bracket	Stainless steel; Models starting 4/1/15
19	70054	Nut	2 required
20	D512218P	Display Assembly	C and I models through 7/14/14; All other models
	70503101P	Control Assembly	C and I models starting 7/15/14
21	29787	Nut	4 required
22	56079	Panel Locator	4 required
23	M400713	Drive Rivet	2 required
24	44099201	Control Plate and Studs Assembly	Includes studs

* Add Letter To Designate Color. Q - Bisque W - White

Exterior Control Box - RQ Control Suffix (Drawing 2 of 2)

C, G, H, I, K, L, N, P, S and U Models



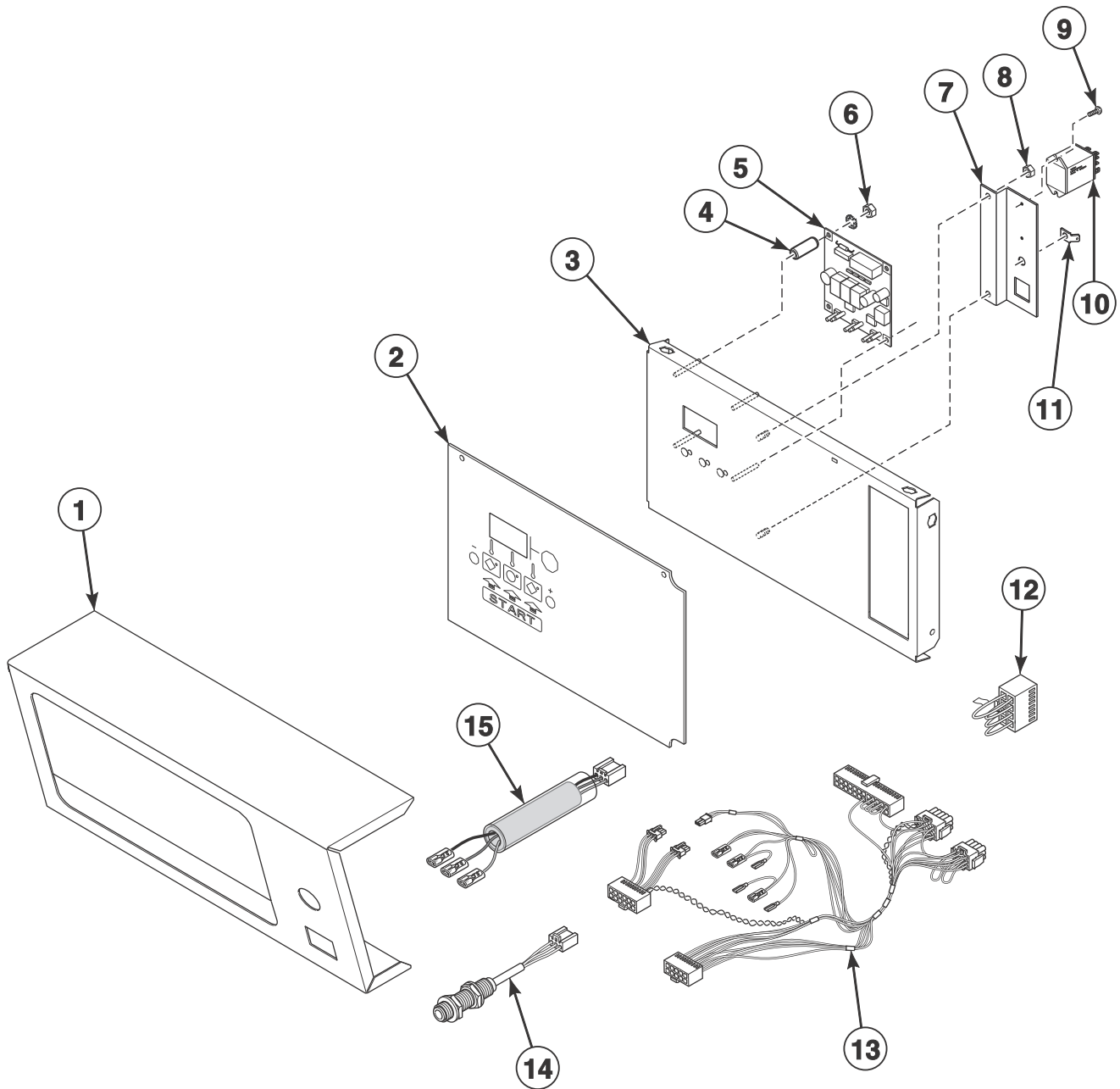
TMB3295PA_70574101

Exterior Control Box - RQ Control Suffix (Drawing 2 of 2)

REF	PART NO.	DESCRIPTION	COMMENTS
	M4795P3W	Security Cover Kit	
1	70357901	Control Chassis Mounting Bracket	
2	D512202P	Control Assembly	
3	800930	Screw	
4	03815	Washer	
5	M400977	Nut	
6	44013307*	Control Cover	Non-CE models
	44111713LG	Control Cover	Non-CE and non-Australian U models; Light gray
	44013308	Control Cover	Non-CE models through 3/31/15; Stainless steel
	44013317	Control Cover	Non-CE models starting 4/1/15; Stainless steel
	44013311*	Control Cover	CE models
	44111714LG	Control Cover	CE U gas models; Light gray
	44111715LG	Control Cover	CE U steam models; Light gray
	44111716LG	Control Cover	Australian U models; Light gray
	44013312	Control Cover	CE models through 3/31/15; Stainless steel
	44013319	Control Cover	CE models starting 4/1/15; Stainless steel
7	F200233400	Contact Block Switch	CE models; Models through 8/17/14
	F8069501	Contact Switch	CE models; Models starting 8/18/14
	F8538101	Contact Base	CE models; Models starting 8/18/14
8	70364105P	Emergency Stop Contact Harness	CE models; 1 contact
	70364106P	Emergency Stop Harness	CE models; 2 contacts
9	70364103	Bypass Harness	Non-CE models
10	44012901	Emergency Stop Label	CE models
11	F200233500	Emergency Stop Pushbutton	CE models
12	44016401	Control Trim	N, S and U models; Black
	44016402	Control Trim	H models; Gray

* Add Letter To Designate Color. Q - Bisque W - White

DX4 Control Box - B Models with R3 Control Suffix



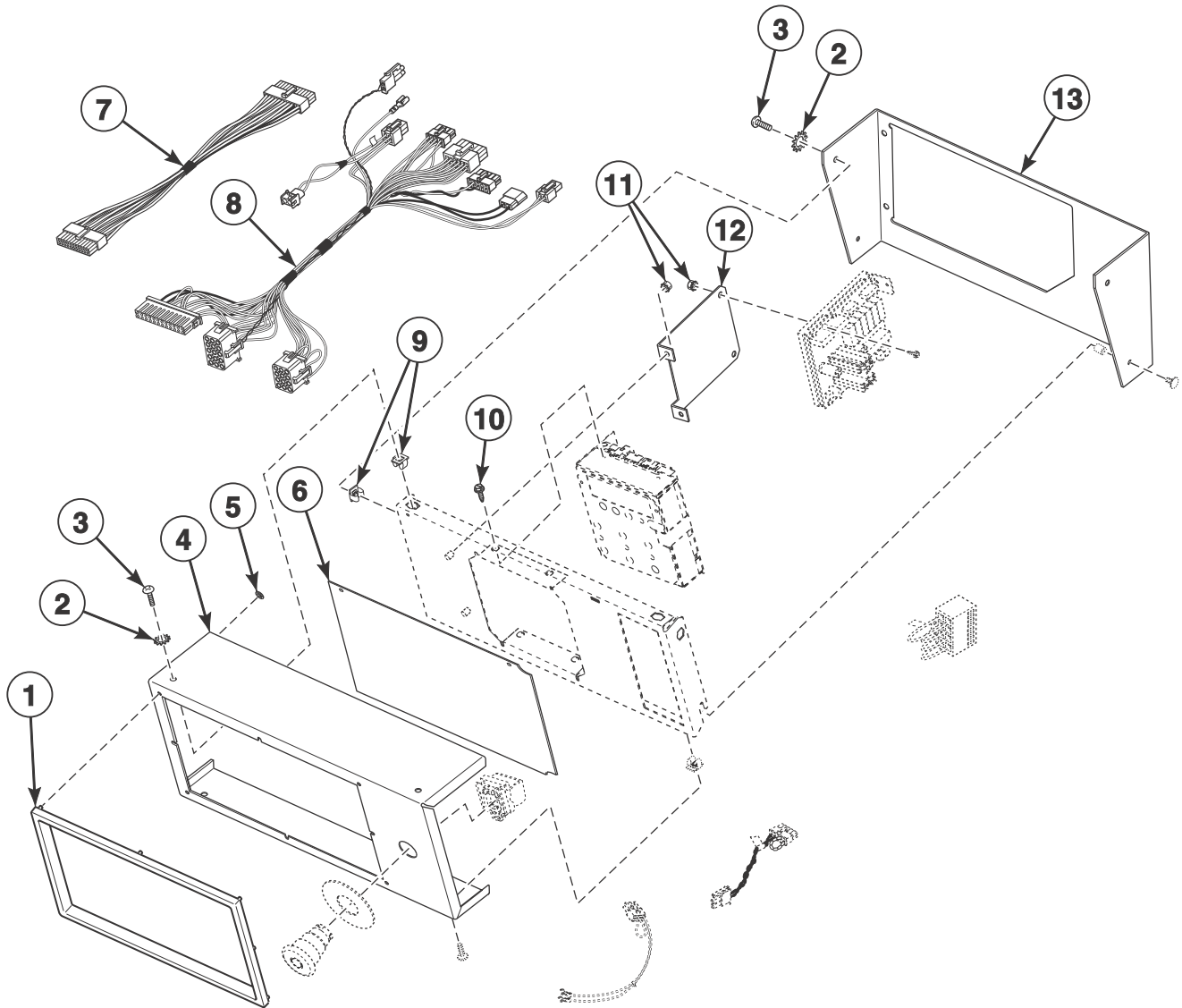
TMB3240P_70574101

DX4 Control Box - B Models with R3 Control Suffix

REF	PART NO.	DESCRIPTION	COMMENTS
	M413930P	Ferrite Core Assembly	Use with item 11
1	44111701*	Control Cover	Non-CE models
	44111702	Control Cover	Non-CE models through 3/31/15; Stainless steel
	44111717	Control Cover	Non-CE models starting 4/1/15; Stainless steel
	44111705*	Control Cover	CE models
	44111706	Control Cover	CE models through 3/31/15; Stainless steel
	44111719	Control Cover	CE models starting 4/1/15; Stainless steel
2	44240501	Graphic Overlay	
3	44038601	Control Plate Assembly	CE models
4	44050601	Sleeve	4 required
5	70462307P	Control Assembly	
6	29787	Nut	4 required
7	44041701	Relay/Buzzer Bracket	
8	70054	Nut	
9	D501086	Screw	
10	M412534	Relay	CE models
11	00177	Male Tab Terminal	
12	70364103	Bypass Harness	Non-CE models
13	70485301	Control Panel Harness	Non-CE and non-Australian models
	70489901	Control Panel Harness	CE and Australian models
14	7010P	Rotation Sensor Kit	
15	7009P	Rotation Sensor Kit	

* Add Letter To Designate Color. Q - Bisque W - White

Exterior Control Box - RE Control Suffix (Drawing 1 of 2)



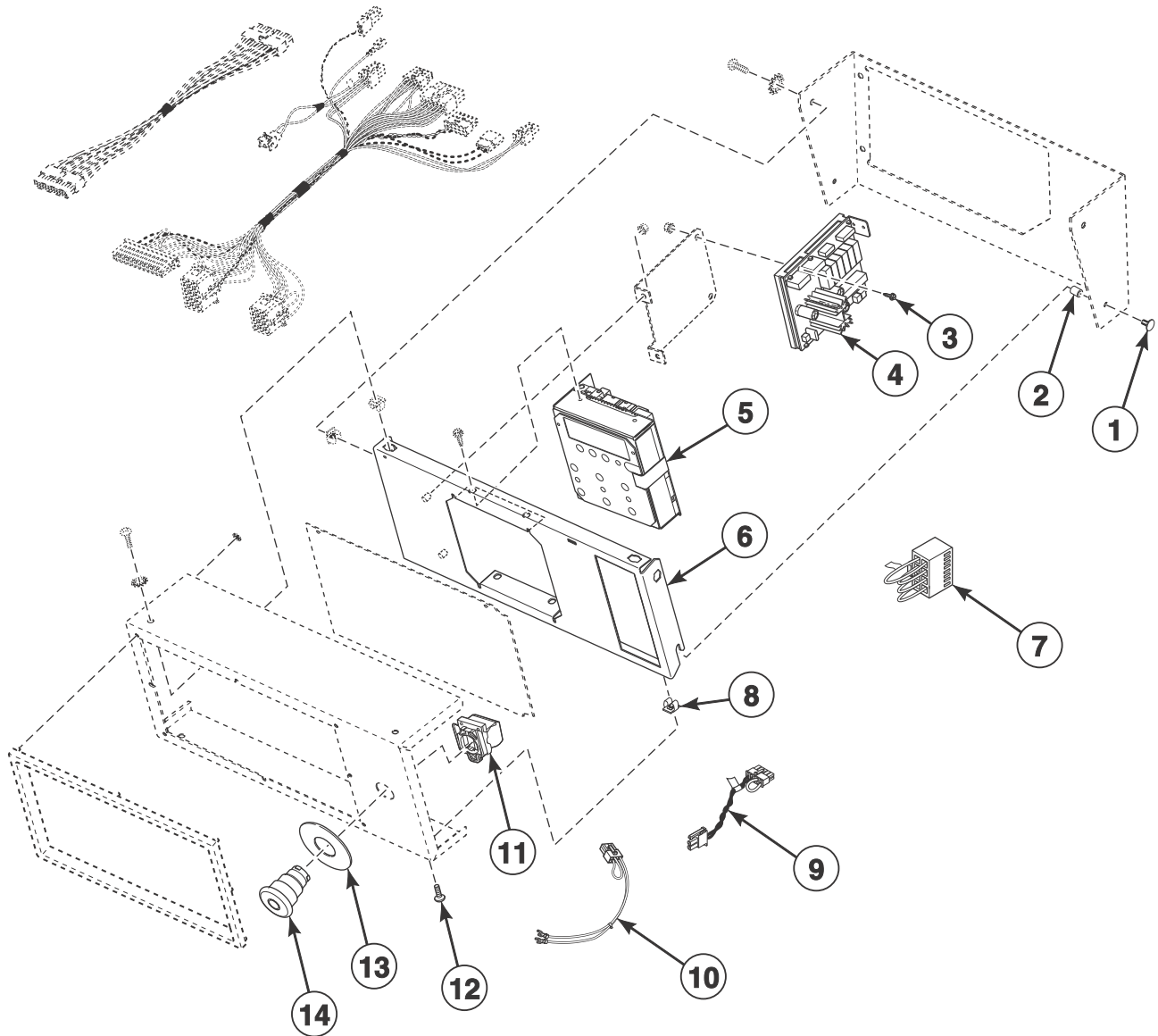
TMB3296P_70574101

Exterior Control Box - RE Control Suffix (Drawing 1 of 2)

REF	PART NO.	DESCRIPTION	COMMENTS
	203346	USB IR Interface Kit	
1	44016401	Control Trim	N, S and U models; Black
	44016402	Control Trim	H models; Gray
2	03815	Washer	2 required
3	800930	Screw	6 required
4	44013315DG	Control Cover	Non-CE P models starting 10/1/14; Dark gray
	44111713LG	Control Cover	Non-CE U models; Light gray
	44013307*	Control Cover	Non-CE P models through 9/30/14; All other non-CE models
	44013308	Control Cover	Non-CE models through 3/31/15; Stainless steel
	44013317	Control Cover	Non-CE models starting 4/1/15; Stainless steel
	44013316DG	Control Cover	CE P models starting 10/1/14; Dark gray
	44111715LG	Control Cover	CE U models; Light gray
	44013311*	Control Cover	CE P models through 9/30/14; All other CE models
	44013312	Control Cover	CE models through 3/31/15; Stainless steel
	44013319	Control Cover	CE models starting 4/1/15; Stainless steel
5	M400977	Nut	
6	70445002	Overlay	S models
	70445004	Overlay	H models
	70462401	Overlay	B, C and I models; Models through 7/14/14
	70504901	Overlay	B, C and I models; Models starting 7/15/14
	70462701	Overlay	U models; Models through 8/17/14
	70493701	Overlay	U models; Models starting 8/18/14
	70462901	Overlay	G and K models
	70472401	Overlay	P models through 9/30/14
	70508601	Overlay	P models starting 10/1/14 through 5/31/15; L models starting 1/29/15 through 5/31/15
	70472201	Overlay	N models; L models through 1/28/15
70526001	Overlay	L and P models starting 6/1/15	
7	44186101	Output Harness	Use between control assemblies
8	44240301	Control Panel Harness	Goes from control assembly to main harness
9	70030501	Expansion Clip	6 required per control plate
10	D501524	Screw	
11	70054	Nut	
12	44223101	Output Bracket	
13	44099504DG	Control Mounting Bracket	P models starting 10/1/14; Dark gray
	44099504LG	Control Mounting Bracket	U models; Light gray
	44099501W	Control Mounting Bracket	P models through 9/30/14; All other models
	44099502	Control Mounting Bracket	All models except P models through 3/31/15; Stainless steel
	44099505	Control Mounting Bracket	All models except P models starting 4/1/15; Stainless steel

* Add Letter To Designate Color. Q - Bisque W - White

Exterior Control Box - RE Control Suffix (Drawing 2 of 2)



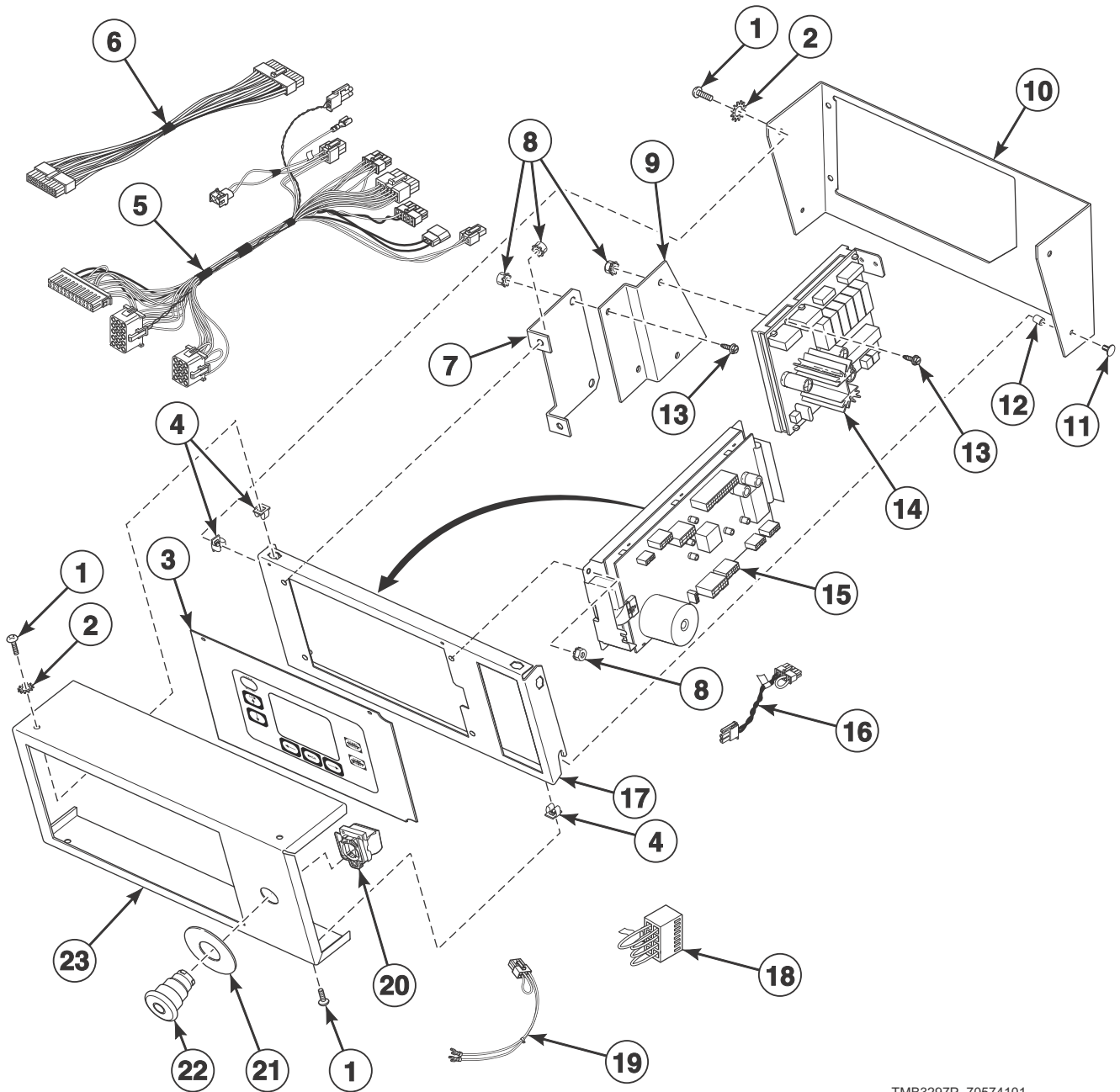
TMB3296PA_70574101

Exterior Control Box - RE Control Suffix (Drawing 2 of 2)

REF	PART NO.	DESCRIPTION	COMMENTS
1	430725	Pop Rivet	2 required
2	431264	Spacer	2 required
3	D501524	Screw	
4	70434101P	Control Assembly	
5	70454101P	Control Assembly	H, S and U models; L and P models starting 6/1/15
	70437102P	Control Assembly	B, C and I models; Models through 7/14/14
	70503702P	Control Assembly	B, C and I models; Models starting 7/15/14
	70437103P	Control Assembly	P models through 5/31/15; L models starting 1/29/15 through 5/31/15
	70437104P	Control Assembly	G and K models
	70437105P	Control Assembly	N models; L models through 1/28/15
6	44185701	Control Plate and Studs Assembly	
7	70364103	Bypass Harness	Non-CE models
8	70030501	Expansion Clip	6 required per control plate
9	70324604	Jumper Calibration Wire	
10	70364106P	Emergency Stop Harness	CE models; 2 contacts
11	F200233400	Contact Block Switch	CE models; Models through 8/17/14
	F8069501	Contact Switch	CE models; Models starting 8/18/14
	F8538101	Contact Base	CE models; Models starting 8/18/14
12	800930	Screw	6 required
13	44012901	Emergency Stop Label	CE models
14	F200233500	Emergency Stop Pushbutton	CE models

Exterior Control Box - RU Control Suffix

U Models



TMB3297P_70574101

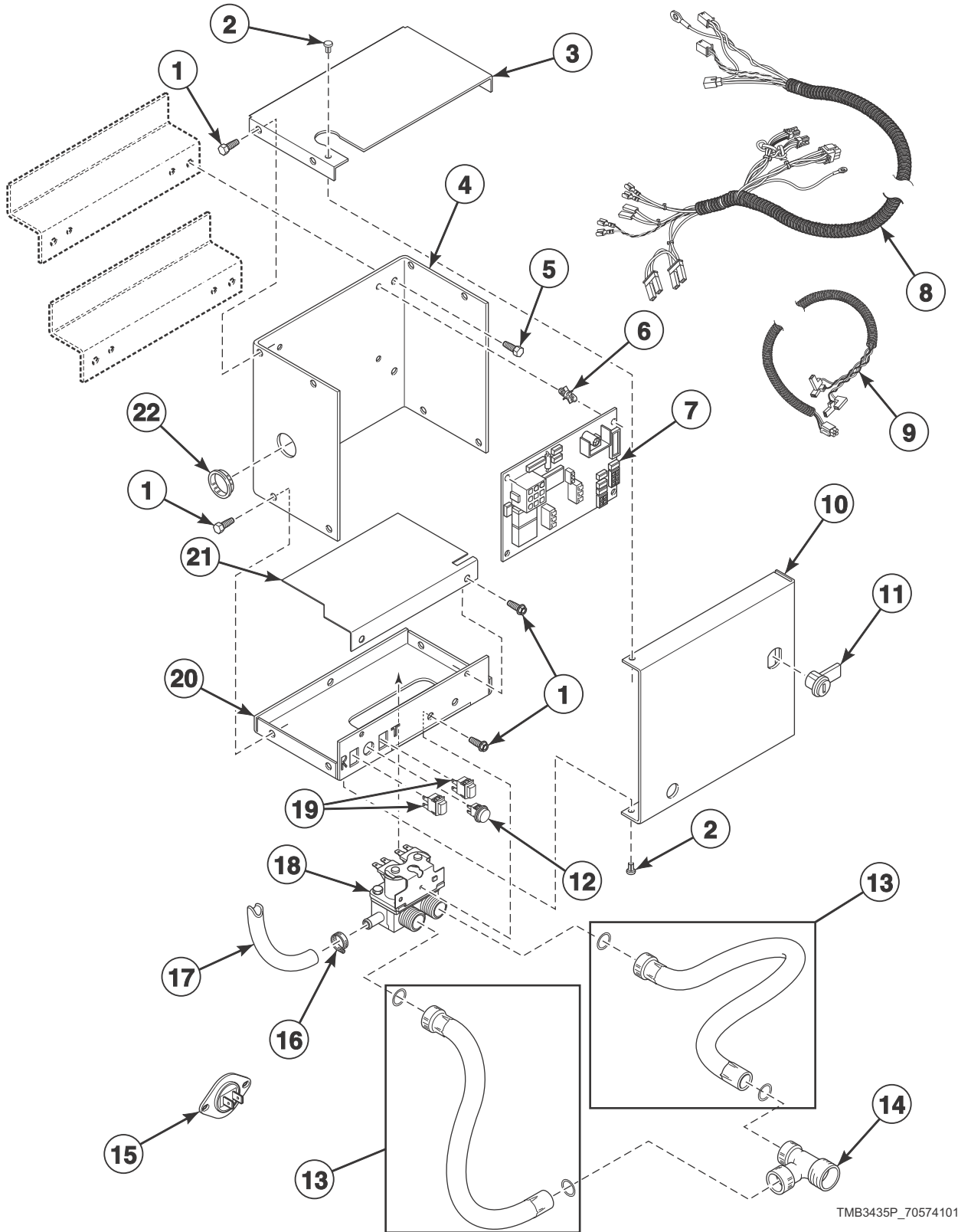
Exterior Control Box - RU Control Suffix

REF	PART NO.	DESCRIPTION	COMMENTS
	NK209	Network Retrofit Kit	Wired
	NK220	Network Controller Kit	Wired
	NK309	Wireless Network Kit	Wireless
	NK320	Ethernet Gateway Kit	Wireless
	NK330	USB Gateway Kit	Wireless
	203346	USB IR Interface Kit	
1	800930	Screw	6 required
2	03815	Washer	2 required
3	70432201	Overlay	Models through 8/17/14
	70499001	Overlay	Models starting 8/18/14
4	70030501	Expansion Clip	6 required per control plate
5	44240301	Control Panel Harness	Goes from item 15 to main harness
6	44186101	Output Harness	Use between item 14 and item 15
7	44223201	Output Bracket	
8	70054	Nut	
9	44223401	Output Bracket	
10	44099501W	Control Mounting Bracket	Models through 8/17/14
	44099504LG	Control Mounting Bracket	Models starting 8/18/14; Light gray
	44099502	Control Mounting Bracket	Models through 3/31/15; Stainless steel
	44099505	Control Mounting Bracket	Models starting 4/1/15; Stainless steel
11	430725	Pop Rivet	2 required
12	431264	Spacer	2 required
13	D501524	Screw	
14	70434101P	Control Assembly	
15	70454001P	Control Assembly	
16	70324604	Jumper Calibration Wire	
17	44224601	Control Plate Assembly	
18	70364103	Bypass Harness	Non-CE models
19	70364106P	Emergency Stop Harness	CE models; 2 contacts
20	F200233400	Contact Block Switch	CE models; Models through 8/17/14
	F8069501	Contact Switch	CE models; Models starting 8/18/14
	F8538101	Contact Base	CE models; Models starting 8/18/14
21	44012901	Emergency Stop Label	CE models
22	F200233500	Emergency Stop Pushbutton	CE models
23	44013307*	Control Cover	Non-CE models; Models through 8/17/14
	44111701*	Control Cover	Non-CE models; Models starting 8/18/14
	44111713LG	Control Cover	Non-CE models; Models starting 8/18/14
	44013308	Control Cover	Non-CE models; Models through 3/31/15; Stainless steel
	44013317	Control Cover	Non-CE models; Models starting 4/1/15; Stainless steel
	44013311*	Control Cover	CE models; Models through 8/17/14
	44111705*	Control Cover	CE steam models; Models starting 8/18/14
	44111703*	Control Cover	CE gas models; Models starting 8/18/14
	44111715LG	Control Cover	CE models; Models starting 8/18/14
	44013312	Control Cover	CE models; Models through 3/31/15; Stainless steel
44013319	Control Cover	CE models; Models starting 4/1/15; Stainless steel	

* Add Letter To Designate Color. Q - Bisque W - White

Fire Suppression System Control Box

B, C, G, H, I, K, L, P, S and U Models
Models with a C, D or Y in the 11th Character

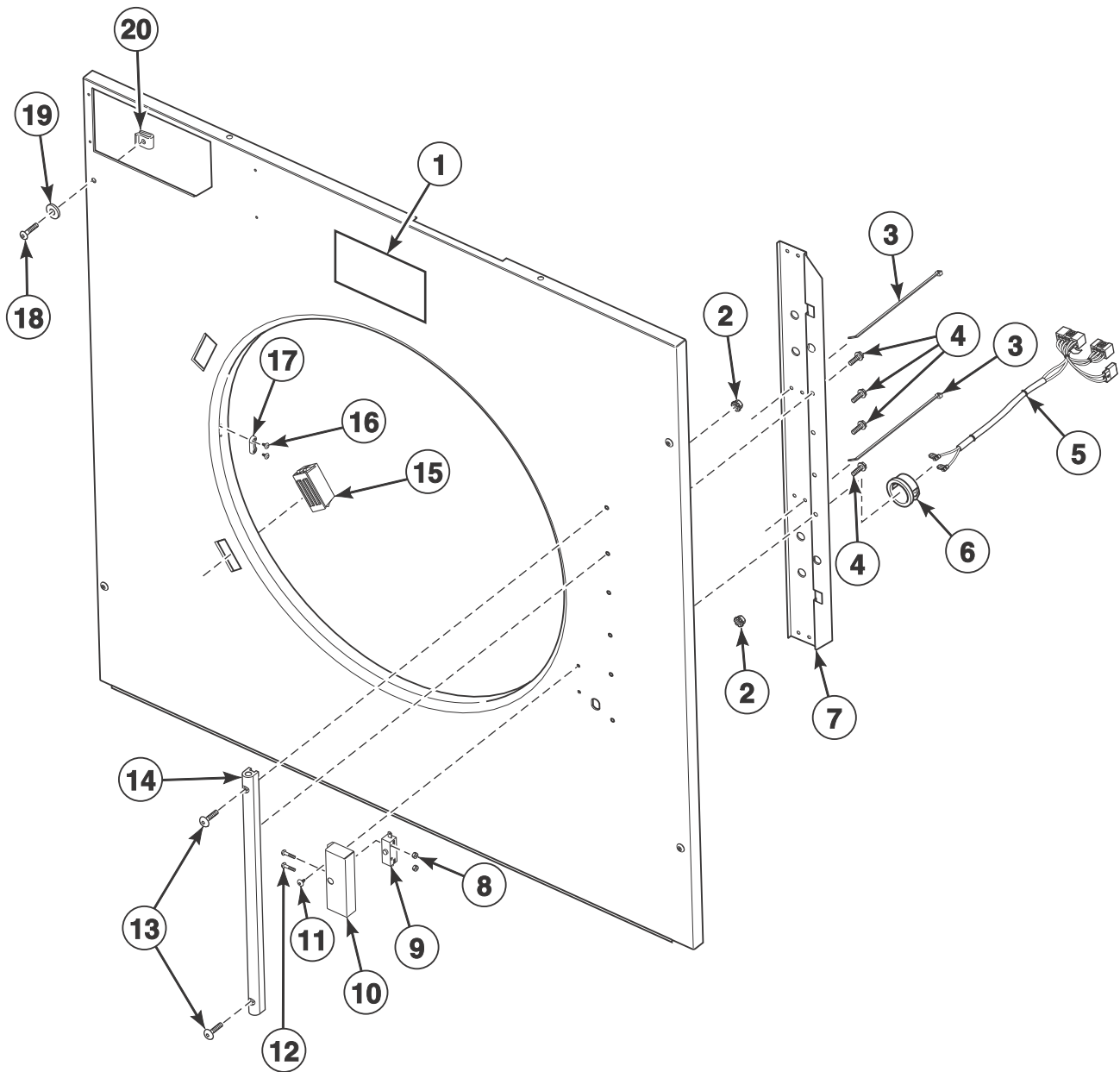


TMB3435P_70574101

Fire Suppression System Control Box

REF	PART NO.	DESCRIPTION	COMMENTS
	44079603	Manifold	
1	430497	Screw	
2	M400713	Drive Rivet	
3	44065401	Control Box Top	Top
4	44065101	Control Box Housing	
5	51780	Screw	
6	D501523	Circuit Board Support	4 required
7	44063801P	Control	
8	44162601	Control Harness	
9	44166801	Sensor Harness Assembly	
10	44065201	Control Box Cover	
11	44089301P	Lock, Key and Nut Kit	RL001 key code
	70155601	Key	RL001
12	801432	Light	Red
13	F200116	Water Hose	Non-CE and non-Australian models; 2 required
	38349P	Fill Hose Kit	CE and Australian models
14	44069101	Hose Fitting	Non-CE and non-Australian models
15	44064701	Thermistor	2 required
16	36801	Hose Clamp	
17	44073303	Hose	31 inches; Outlet hose
18	36958P	Mixing Valve	
19	801434W	Push-to-Start Switch	2 required
20	44065301	Control Box Base	
21	44065701	Mixing Valve Shield Bracket	
22	70178701	Snap Bushing	

Cabinet Front Components

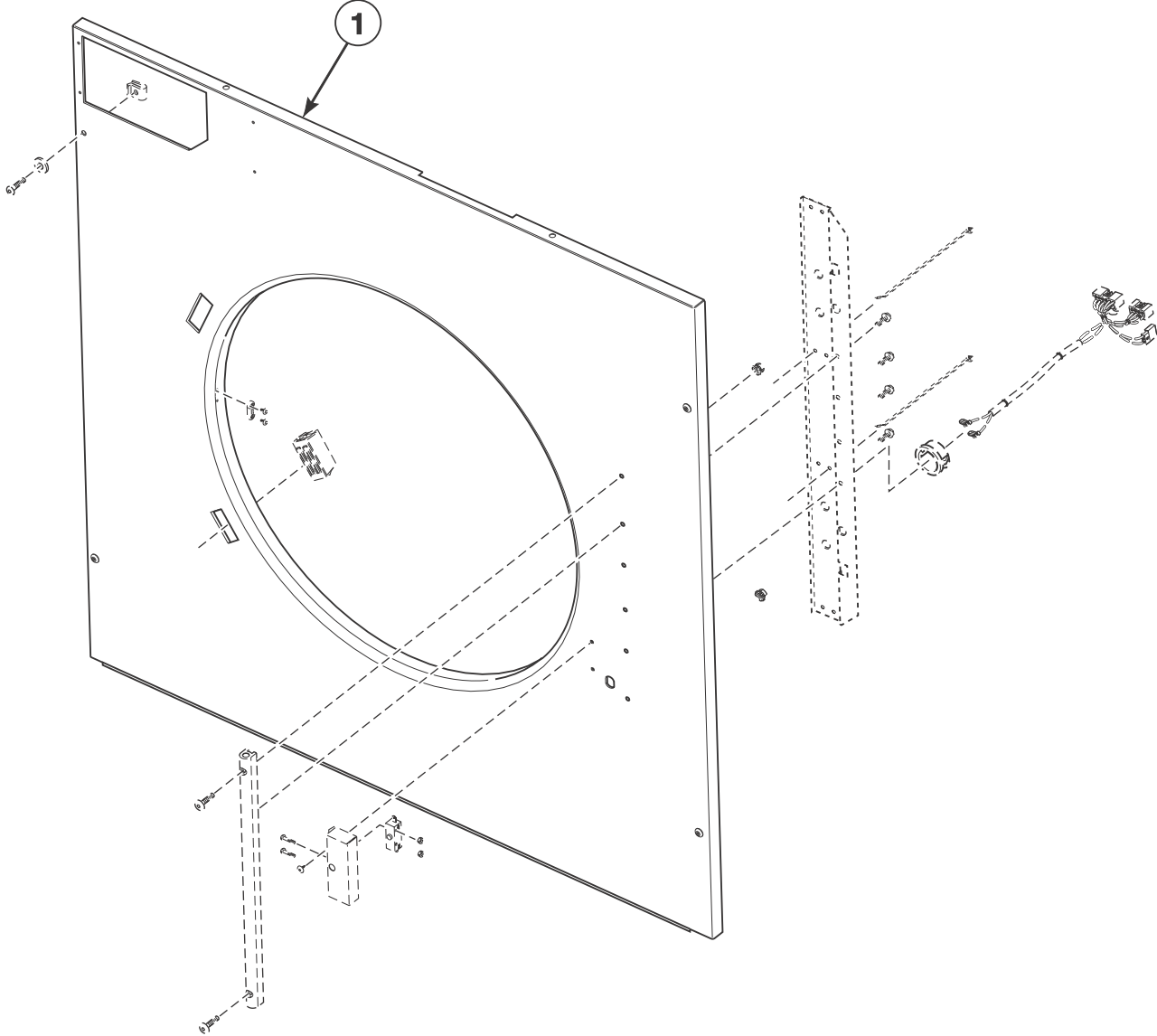


TMB3291P_70574101

Cabinet Front Components

REF	PART NO.	DESCRIPTION	COMMENTS
	298P4P	Spray Paint	White
	381P4	Spray Paint	Bisque
	382P4	Spray Paint	Cream
	122P4P	Porcelain Touch-Up Paint	White
	370P4P	Porcelain Touch-Up Paint	Bisque
1	44108201	Label	B, C, H, I, S and U models
	44128901	Fire Suppression System Label	G and K models
	44190901	Label	L and P models
2	29786	Nut	2 required
3	55881	Harness Strap	2 required; Front panel harness to door switch wire channel
4	44023301	Screw	4 required
5	44227101	Door Switch Harness	
6	M400770	Snap Bushing	Required for door switch harness going through frame
7	44231401	Door Switch Harness Channel	
8	02788	Nut	2 required
9	44018201	Door Switch	
10	44001301	Door Switch Cover	
11	431287	Screw	2 required
12	M402574	Screw	2 required
13	70033504	Screw	2 required
14	44035001	Door Hinge Lug Assembly	C, H, L, N, P, S and U models; Includes bushings
	44035002	Door Hinge Lug Assembly	B, G, I and K models; Black
15	44220501	Door Latch Magnet	
16	44166601	Pop Rivet	2 required
17	M401223	Door Latch	
18	70182601	Screw	4 required per panel
19	800465	Washer	4 required per panel
20	70030401	Nut	Access and front panel attachment

Cabinet Front Panel



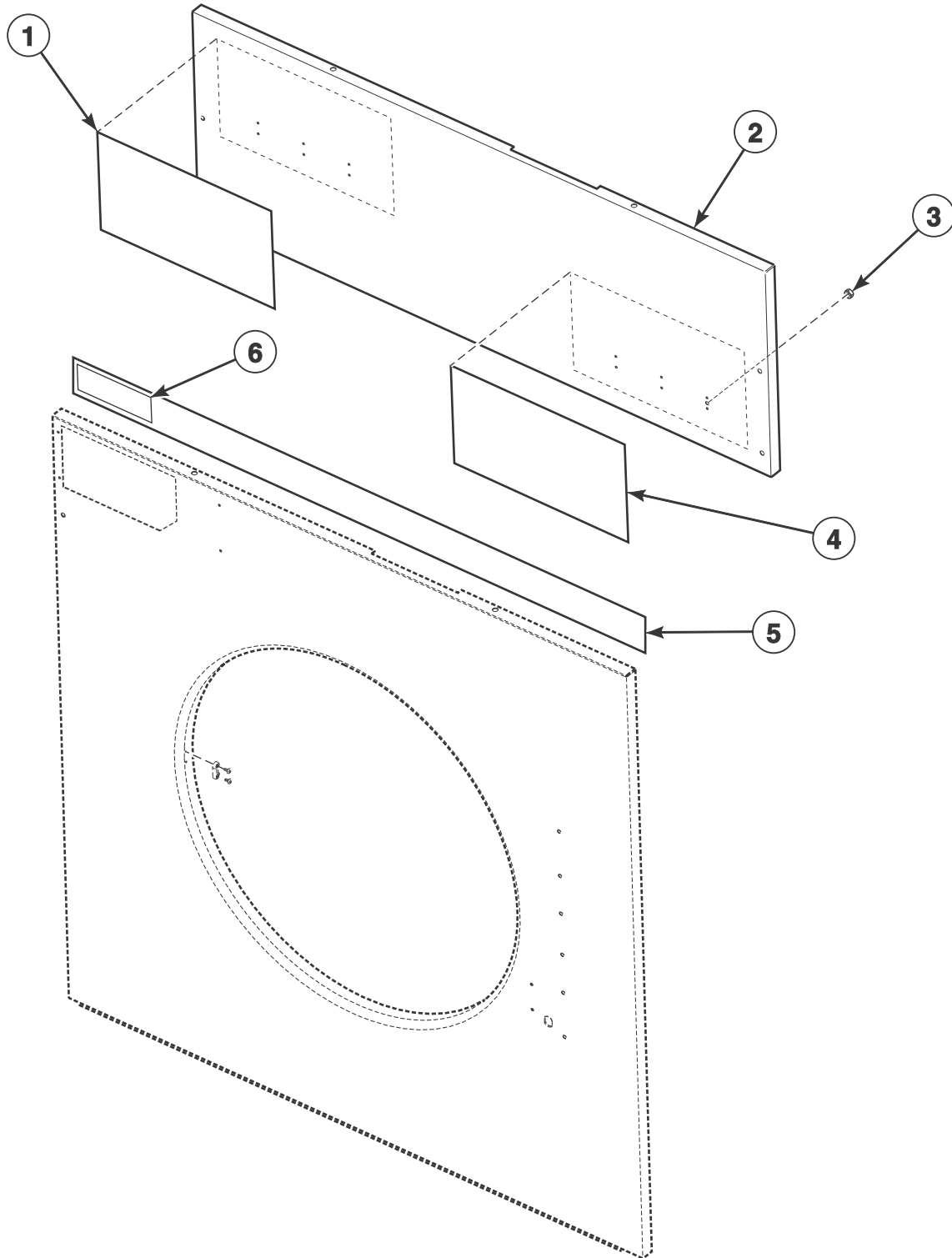
TMB3291PA_70574101

Cabinet Front Panel

REF	PART NO.	DESCRIPTION	COMMENTS
1	44078103	Front Panel	G and K models; Stainless steel
	44218406DG	Front Panel	P models; Models starting 10/1/14; Dark gray
	44218401*	Front Panel	P models through 9/30/14; U models through 8/17/14; All other models
	44218402	Front Panel	U models through 8/17/14; All other models through 3/31/15; Stainless steel
	44218407	Front Panel	All models except P and U; Models starting 4/1/15; Stainless steel
	44218403LG	Front Panel	U models; Models starting 8/18/14; Light gray
	44218404	Front Panel	U models; Models starting 8/18/14 through 3/31/15; Stainless steel
	44218408	Front Panel	U models; Models starting 4/1/15; Stainless steel
	44218405W	Front Panel	U models; Models starting 8/18/14; White

* Add Letter To Designate Color. Q - Bisque W - White

Cabinet Front Panels and Nameplates



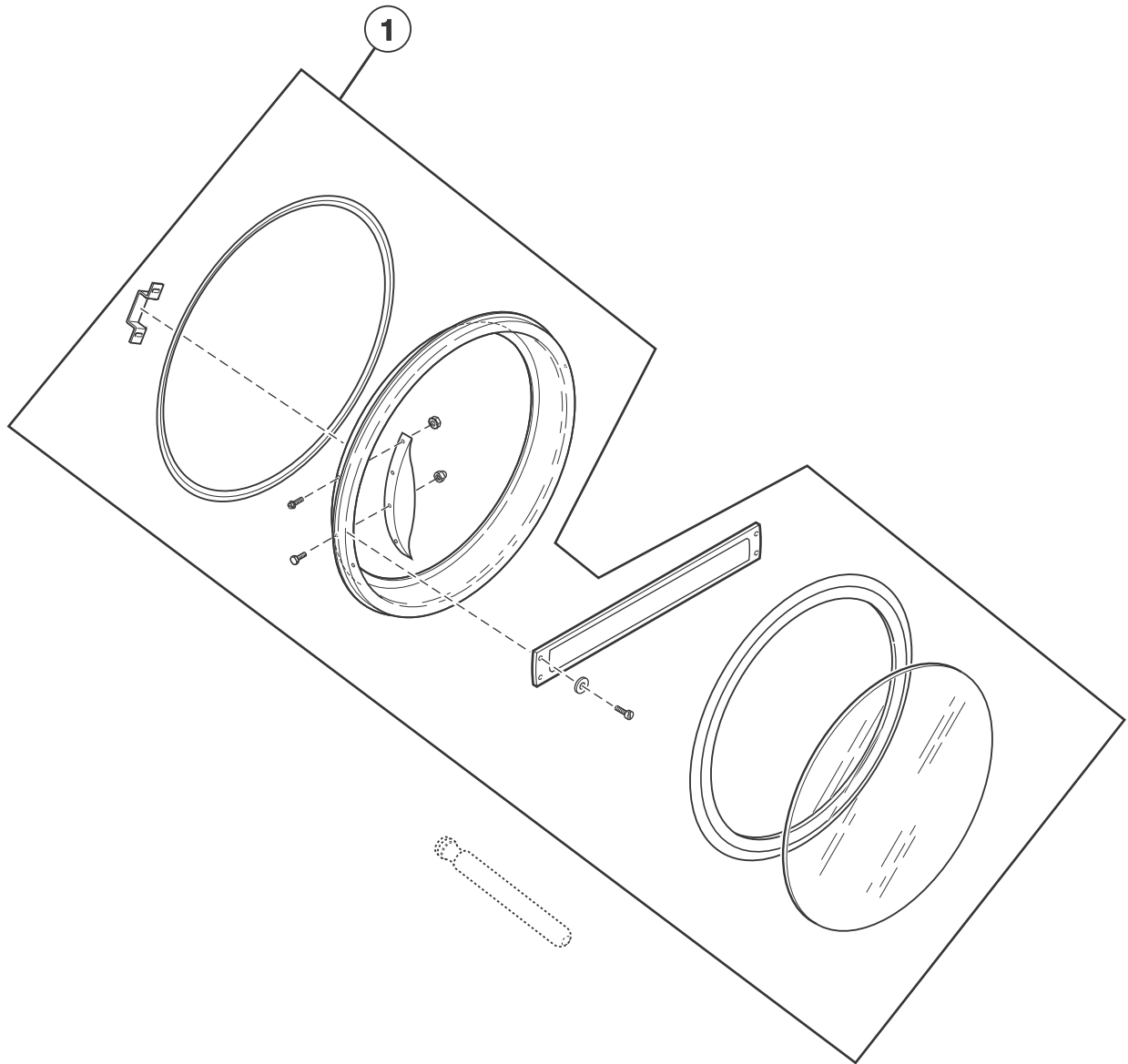
TMB3199P_70574101

Cabinet Front Panels and Nameplates

REF	PART NO.	DESCRIPTION	COMMENTS
	M4787P3	Front Access Panel and Door Hinge Kit	B and I models; To change from old look to new look
1	70348501	Nameplate	C models
	B12389801	Nameplate	B and I models
2	44012701*P	Front Access Panel	LU models; P models through 9/30/14
	44012702P	Access Panel	L models through 3/31/15; PH, PK, PT and PU models through 9/30/14; Stainless steel
	44012713	Front Access Panel	L and P models; Models starting 4/1/15; Stainless steel
	44012712DG	Front Access Panel	P models; Models starting 10/1/14; Dark gray
	44012707*P	Front Access Panel	CK, CT, G, H, K, N and S models; U models through 8/17/14
	44012709LG	Front Access Panel	U models; Models starting 8/18/14; Light gray
	44012709B	Front Access Panel	B and I models
	44012708	Front Access Panel	CK, CT, HH, HK, HT, SH, SK, ST, UH, UK and UT models through 3/31/15; Stainless steel
	44012714	Front Access Panel	H, S and U models; Models starting 4/1/15; Stainless steel
3	M400977	Nut	L and P models require 2 for access panel trim; U models starting 8/18/14 require 5
4	44010401	Nameplate	H models
	44010601	Nameplate	S models
	44235401	Nameplate Overlay	U models; Models through 8/17/14
	F8443102	Nameplate	U models; Models starting 8/18/14
	70128901	Nameplate Overlay	P models; Models through 9/30/14
	70509601	Nameplate	P models; Models starting 10/1/14
	70243901	Nameplate	L models; Models through 3/27/15
	70522001	Nameplate	L models; Models starting 3/28/15
	70410201	Nameplate Overlay	G models
44331401	Nameplate Overlay	K models	
5	70399404	Access Panel Trim	G and K models; Mounts over front panel assembly and control panel
6	70414001	Label	G and K models; Coin

* Add Letter To Designate Color. Q - Bisque W - White

Door Assembly

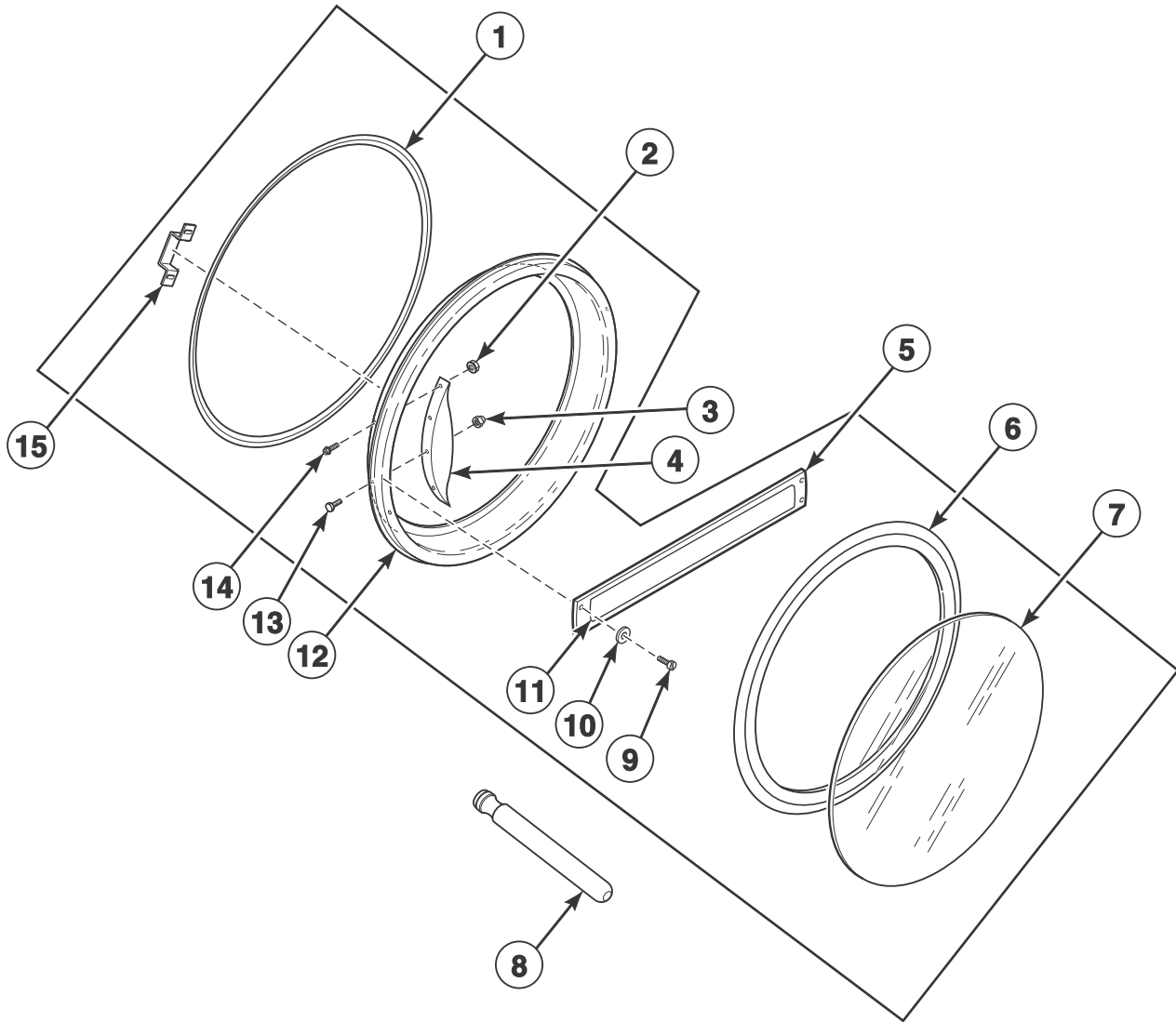


TMB3298P_70574101

Door Assembly

REF	PART NO.	DESCRIPTION	COMMENTS
1	44248001	Door Assembly	H models
	44215801	Door Ring Assembly	N and S models; U models through 8/17/14
	44272201	Door Assembly	U models; Models starting 8/18/14
	44248201	Door Assembly	B, C and I models
	44248401	Door Assembly	L models through 1/28/15; P models through 9/30/14
	44294501LG	Door Assembly	P models starting 10/1/14; L models starting 1/29/15
	44294501B	Door Assembly	P models starting 7/5/16; Use with stainless steel front panel; Black
	70407402	Door Assembly	G and K models

Door Components

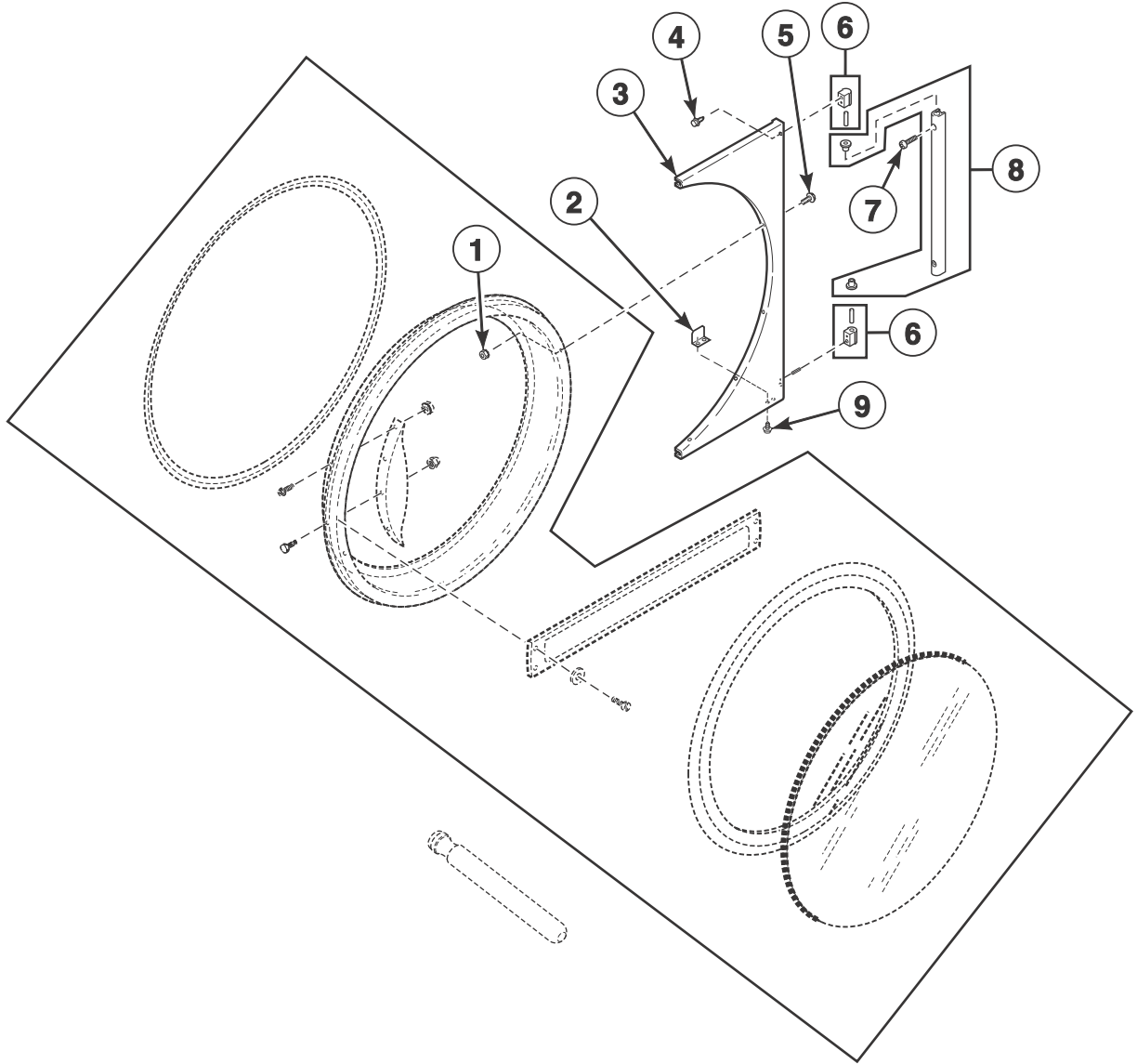


TMB3298PA_70574101

Door Components

REF	PART NO.	DESCRIPTION	COMMENTS
1	44217401	Door Ring Gasket	
2	44071201	Nut	H, N and S models; 4 required
3	M414215	Nut	
4	44057702	Door Handle	H models
	44007901	Door Handle	B, C, I, N and S models; U models through 8/17/14
	44263801	Door Handle	U models; Models starting 8/18/14; Use 901620 Screw, 803871 Screw and 44088001 Nut to attach
5	70399501B	Handle Bar	G and K models
6	70211902P	Door Seal Kit	Use Loctite 414 for seal
7	44008402P	Door Glass	H models
	44008401P	Door Glass	All other models
8	M4221P4	Door Glass Installation Tool	
9	70126301	Pop Rivet	G and K models; 4 required
10	70409301	Washer	G and K models; 2 required
11	70411401	Nameplate Overlay	G models; Coin
	44144401	Nameplate Overlay	K models; Coin
12	44215701	Door Ring	H, N and S models; P models through 9/30/14; U models through 8/17/14; L models through 1/28/15
	44294601LG	Door Ring and Handle Assembly	P models starting 10/1/14; L models starting 1/29/15; Light gray
	44294601B	Door Ring and Handle Assembly	P models starting 7/5/16; Use with stainless steel front panel; Black
	44217502	Door Ring Assembly	U models; Models starting 8/18/14
	44215703	Door Ring	B, C and I models
	44326003B	Door Ring Assembly	G and K models
13	M400661	Screw	Door strike
14	61199	Screw	H, N and S models; 4 required
15	44219701	Door Latch Bracket	

Hinge Components



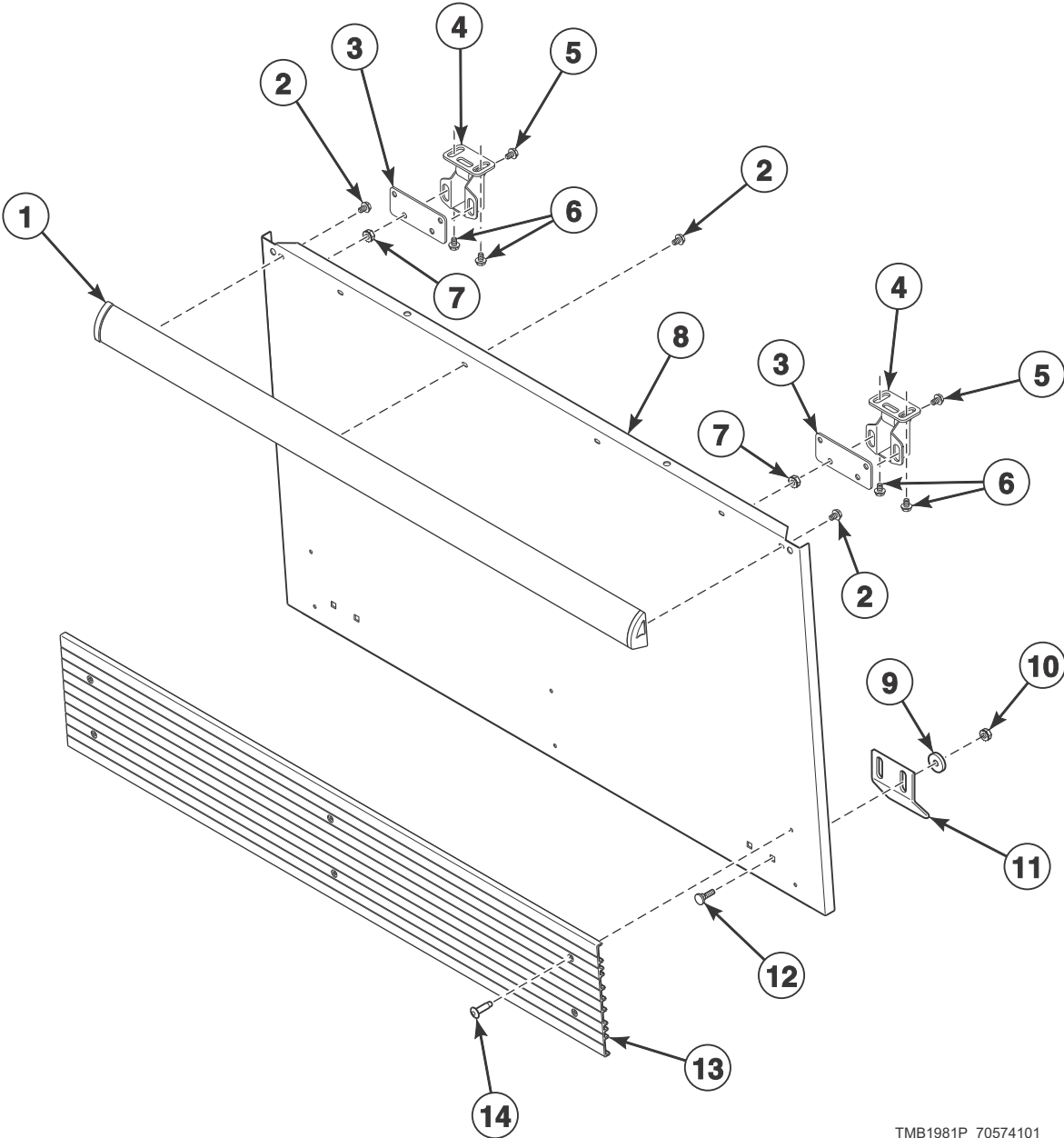
TMB3091P_70574101

Hinge Components

REF	PART NO.	DESCRIPTION	COMMENTS
	M4787P3	Front Access Panel and Door Hinge Kit	B and I models; To change from old look to new look
1	23951	Nut	6 required
2	70215001P	Door Switch Actuator Kit	
3	44075207B	Door Hinge	G and K models
	44218703LG	Door Hinge Assembly	L, P and U models; Light gray
	44218701*	Door Hinge Assembly	P models through 9/30/14; L models through 1/28/15; All other models except G and K models
	44218702	Door Hinge Assembly	P models through 9/30/14; L models through 1/28/15; All other models through 3/31/15 except G and K models; Stainless steel
	44218704	Door Hinge Assembly	H, S and U models starting 4/1/15; Stainless steel
4	70442101	Screw	3 required
5	M400044	Screw	6 required
6	M4773P3	Cam and Hinge Kit	B, G, I and K models
	M4772P3	Cam and Hinge Kit	C, H, L, N, P, S and U models
7	70409801	Screw	B, G, I and K models; 2 required
	70033504	Screw	C, H, L, N, P, S and U models; 2 required
8	44035002	Door Hinge Lug Assembly	G and K models; Black
	44218101	Door Hinge Lug Assembly	All other models
9	70058501	Pop Rivet	2 required

* Add Letter To Designate Color. Q - Bisque W - White

Lint Panel Components



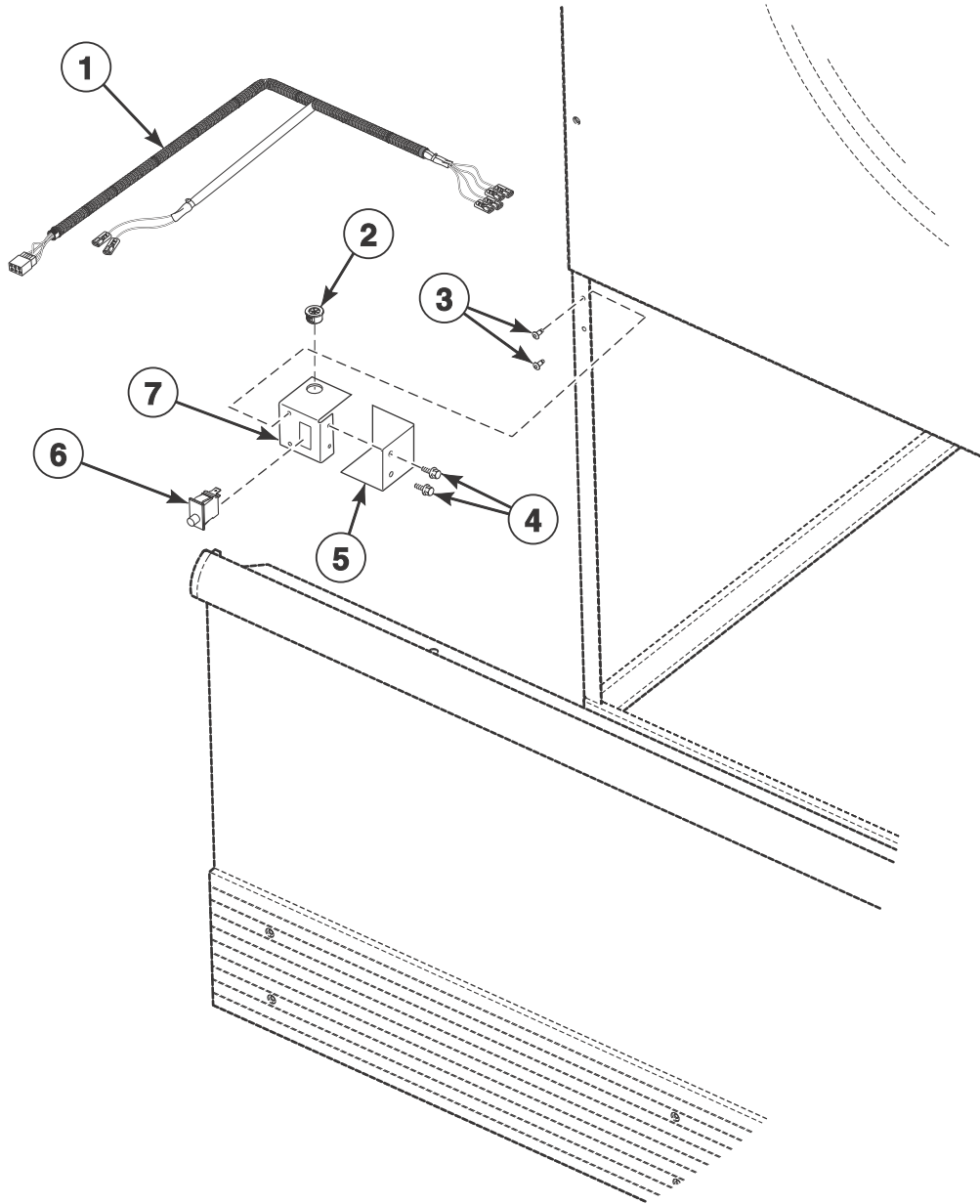
TMB1981P_70574101

Lint Panel Components

REF	PART NO.	DESCRIPTION	COMMENTS
1	44049903	Handle and Caps Assembly	B, C, I, N, S and U models; L models through 1/28/15; P models through 9/30/14; Black
	70407212	Handle Bumper	P models starting 10/1/14; L models starting 1/29/15
	44049904	Handle and Caps Assembly	H and U models; Gray
	70407204	Handle Bumper	G and K models; Black and blue; Does not have endcaps
2	430757	Screw	6 required
3	44014001	Roller Catch Mounting Bracket	2 required
4	H87020202	Roller Catch	2 required; Includes strike
5	61199	Screw	8 required
6	D501086	Screw	4 required
7	70054	Nut	8 required
8	44012304DG	Lint Panel	P models; Models starting 10/1/14; Dark gray
	44012304	Lint Panel	P models; Models starting 10/1/14; Cold rolled steel
	44012305	Lint Panel	P models; Models starting 10/1/14 through 3/31/15; Stainless steel
	44012307	Lint Panel	P models; Models starting 4/1/15; Stainless steel
	44012301*P	Lint Panel	P models through 9/30/14; All other models
	44012302P	Lint Panel	P models through 9/30/14; All other models through 3/31/15; Stainless steel
	44012306	Lint Panel	All models except P models starting 4/1/15; Stainless steel
	44012303LG	Lint Panel	U models; Light gray
9	M405535	Washer	4 required
10	44087101	Nut	4 required
11	44017801	Lint Panel Clip	2 required
12	44017901	Bolt	4 required
13	70117611	Kickplate	B, C, G, I, K, L, N, P and S models; U models through 8/17/14; Black
	70117612	Kickplate	H models; U models starting 8/18/14; Gray
14	70126301	Pop Rivet	B, C, G, I, K, L, N, P and S models; U models through 8/17/14; Black; 6 required
	70126401	Pop Rivet	H models; U models starting 8/18/14; Gray; 6 required

* Add Letter To Designate Color. Q - Bisque W - White

Lint Panel Switch Assembly

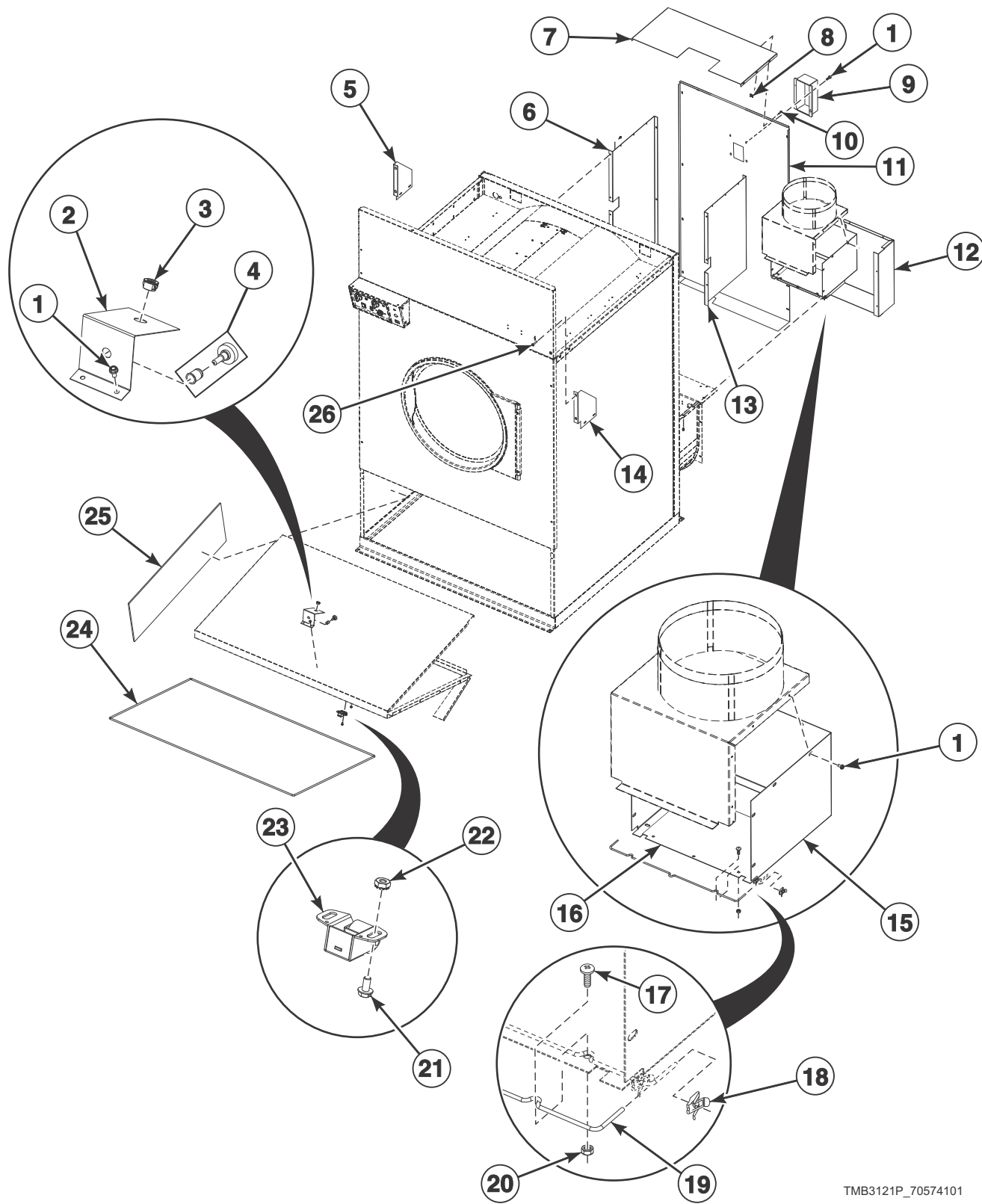


TMB2992P_70574101

Lint Panel Switch Assembly

REF	PART NO.	DESCRIPTION	COMMENTS
1	44227001	Base Harness	
2	M411537	Bushing	
3	430725	Pop Rivet	2 required
4	430497	Screw	2 required
5	44026801	Lint Panel Switch Cover	
6	70413401	Switch Assembly	With boot
7	44013401	Lint Panel Switch Bracket	

Lint Screen and Drive Guard



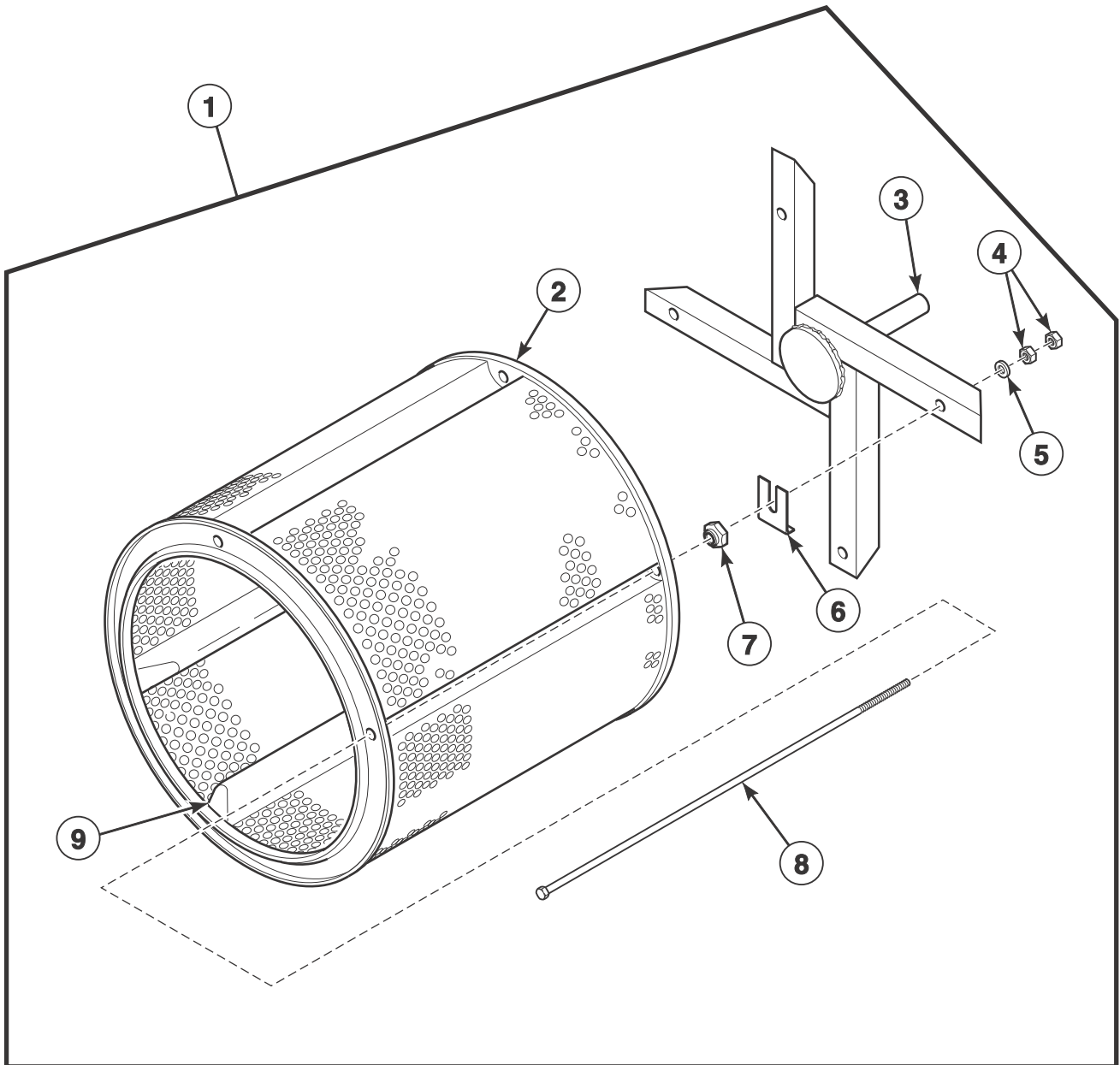
TMB3121P_70574101

Lint Screen and Drive Guard

REF	PART NO.	DESCRIPTION	COMMENTS
1	430497	Screw	
2	44051301	Thermistor Bracket Assembly	Includes bracket and thermistor nut
3	M411537	Bushing	2 required for thermistor harness and cabinet rear
4	M414704	Thermistor	
5	44028302DG	Top Access Panel Gusset	P models starting 10/1/14; L models starting 1/29/15; Left; Dark gray
	44028302LG	Top Access Panel Gusset	U models; Left; Light gray
	44028302*	Top Access Panel Gusset	P models through 9/30/14; L models through 1/28/15; All other models; Left
6	44160001	Belt Guard Side	Left; Use 70015709 Gasket on edges
7	44253001	Belt Guard	Top
8	M400984	Clip	12 required
9	44222501	Guard Extension	Moisture sensing
10	M411072	Screw	12 required
11	44253101	Belt Guard	Non-moisture sensing
	44253102	Belt Guard	Moisture sensing
12	44159801	Belt Guard	Corner
13	44160101	Belt Guard Side	Right
14	44028301DG	Top Access Panel Gusset	P models starting 10/1/14; L models starting 1/29/15; Right; Dark gray
	44028301LG	Top Access Panel Gusset	U models; Right; Light gray
	44028301*	Top Access Panel Gusset	P models through 9/30/14; L models through 1/28/15; All other models; Right
15	M412391	Exhaust Duct Box Wrap	
16	M413402	Damper Vane	
17	M400044	Screw	3 required
18	M400976	Clip	
19	M413401	Damper Rod	
20	23951	Nut	3 required
21	61199	Screw	
22	70054	Nut	
23	H87020202	Roller Catch	Includes strike
24	44063603P	Lint Screen	Includes frame
	44077703P	Lint Screen	Includes snaps; Frame not included
25	M411593	Insulation	
26	70182601	Screw	4 required

* Add Letter To Designate Color. Q - Bisque W - White

Cylinder and Trunnion Assembly

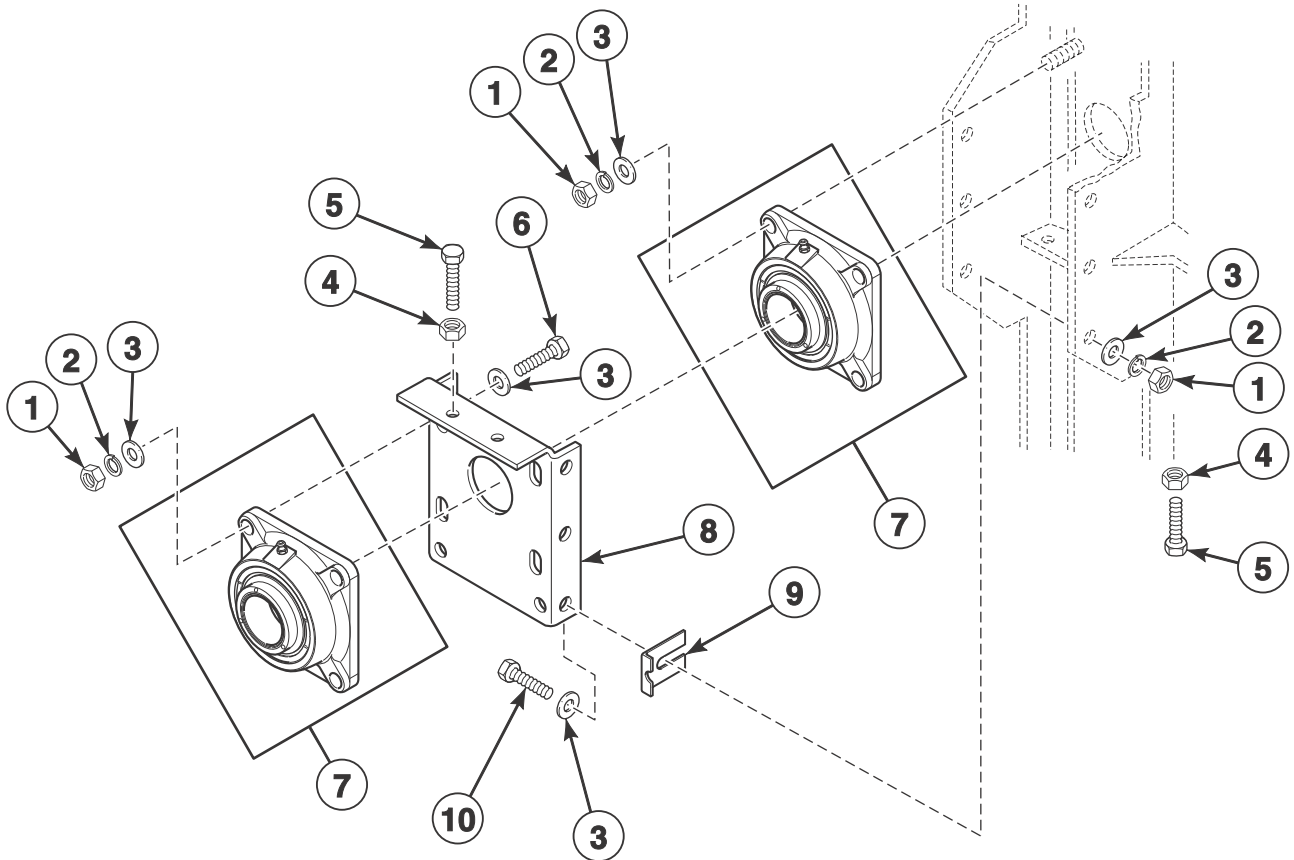


TMB1811B_70574101

Cylinder and Trunnion Assembly

REF	PART NO.	DESCRIPTION	COMMENTS
1	44221601	Cylinder and Trunnion Assembly	Galvanized; Non-moisture sensing
	44214901	Cylinder and Trunnion Assembly	Galvanized; Moisture sensing
	44221602	Cylinder and Trunnion Assembly	Stainless steel; Non-moisture sensing
	44214902	Cylinder and Trunnion Assembly	Stainless steel; Moisture sensing
2	44221501	Cylinder Assembly	Galvanized; Non-moisture sensing
	44215001	Cylinder Assembly	Galvanized; Moisture sensing
	44221502	Cylinder Assembly	Stainless steel; Non-moisture sensing
	44215002	Cylinder Assembly	Stainless steel; Moisture sensing
3	44240801	Trunnion Assembly	Non-moisture sensing
	44240802	Trunnion Assembly	Moisture sensing
4	H88412101	Nut	8 required
5	70261401	Washer	4 required
6	M401402	Spacer	As required
7	M412334	Nut	4 required
8	H8830143H	Bolt	4 required
9	44191205	Cylinder Rib Assembly	Moisture sensing

Trunnion Bearings

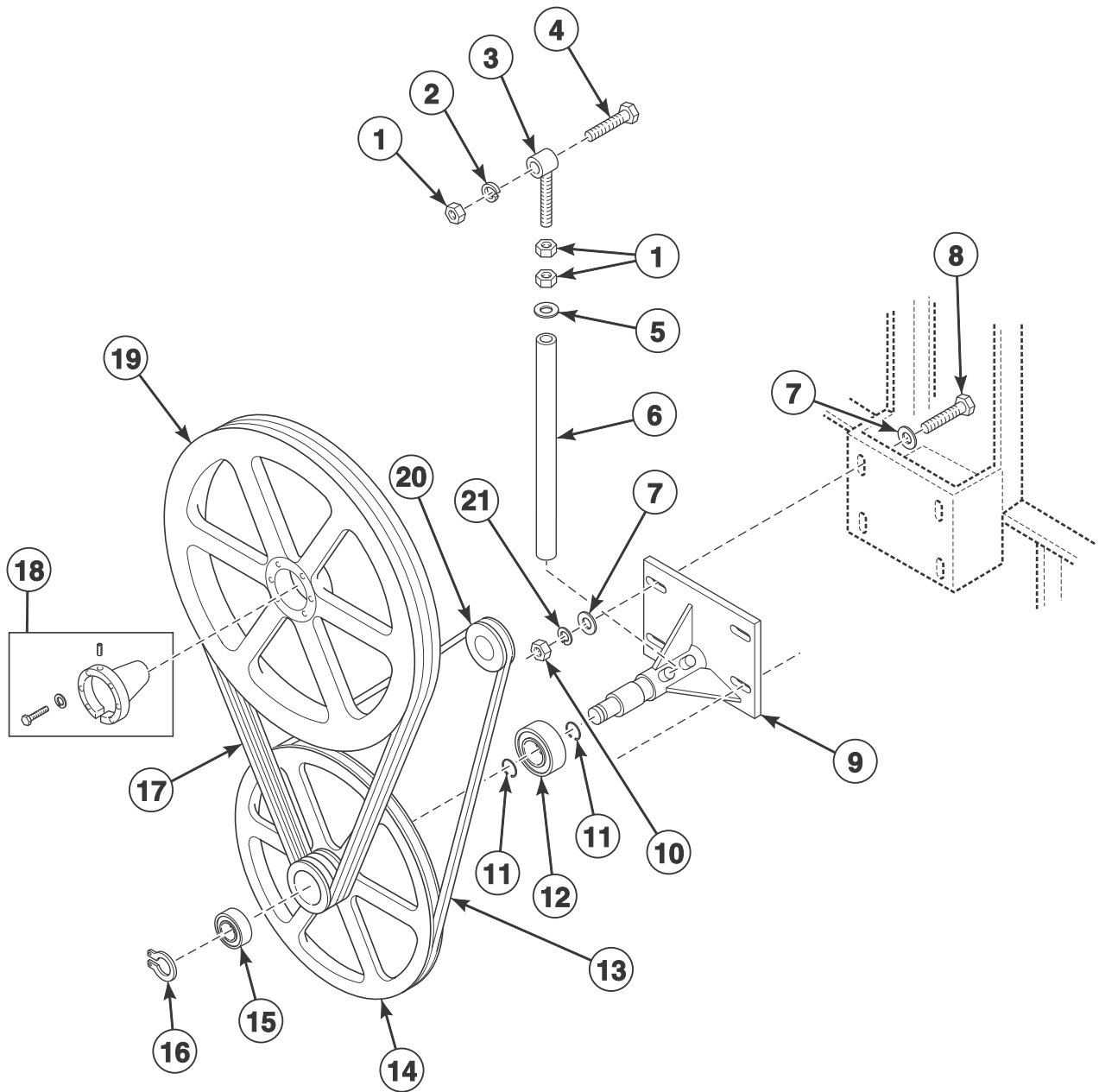


TMB3251P_70574101

Trunnion Bearings

REF	PART NO.	DESCRIPTION	COMMENTS
1	H88412101	Nut	
2	M400015	Washer	
3	70261401	Washer	
4	20274	Nut	
5	H88213996	Screw	
6	M411165	Screw	
7	44048301P	Flange Bearing	
8	H96428008	Bearing Mounting	
9	M401402	Spacer	As required
10	H88012034	Screw	

Drive Sheave, Step Pulley and Belts

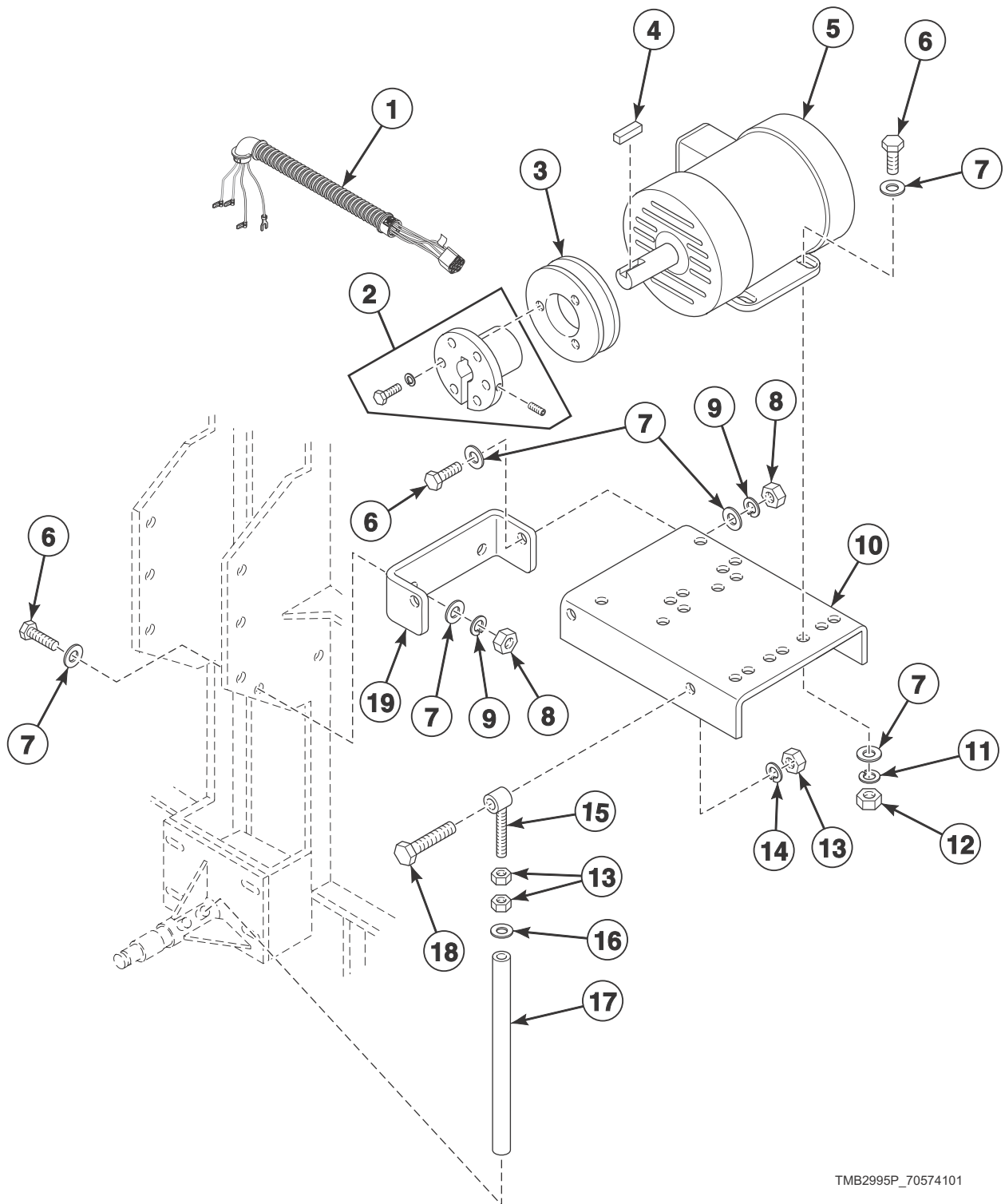


TMB2585P_70574101

Drive Sheave, Step Pulley and Belts

REF	PART NO.	DESCRIPTION	COMMENTS
1	H88412101	Nut	
2	M400015	Washer	
3	44048501	Rod End	Eyebolt assembly
4	M400063	Screw	
5	70261401	Washer	
6	H96428487	Belt Adjustment Tube	
7	M400081	Washer	8 required
8	22688	Screw	4 required
9	H96357751	Jackshaft Assembly	
10	20274	Nut	4 required
11	H88603477	Retaining Ring	Step pulley bearings stops; 2 required
12	H87672374	Ball Bearing	Inner; Step pulley
13	H87533014	Belt	
14	M4696P3	Step Pulley and Bearing Kit	Includes H96428024 Step Pulley, M414321 Spacer, M4718P3 Step Pulley Outer Bearing Kit and items 11, 12 and 15
15	M414367	Ball Bearing	Outer
16	H88602263	Retaining Ring	Step pulley to jackshaft
17	H87533816P	Belt Set	Set of 3
18	H8752985HP	Bushing	Includes M400014 Washer, 44048902 Screw and 44079204 Screw
19	H8752251H	Sheave	
20	H8752026H	Sheave	50 Hertz; 2.65 inch OD
	H87520334	Sheave	60 Hertz; 3.35 inch OD
21	M400014	Washer	4 required

Cylinder Drive Motor

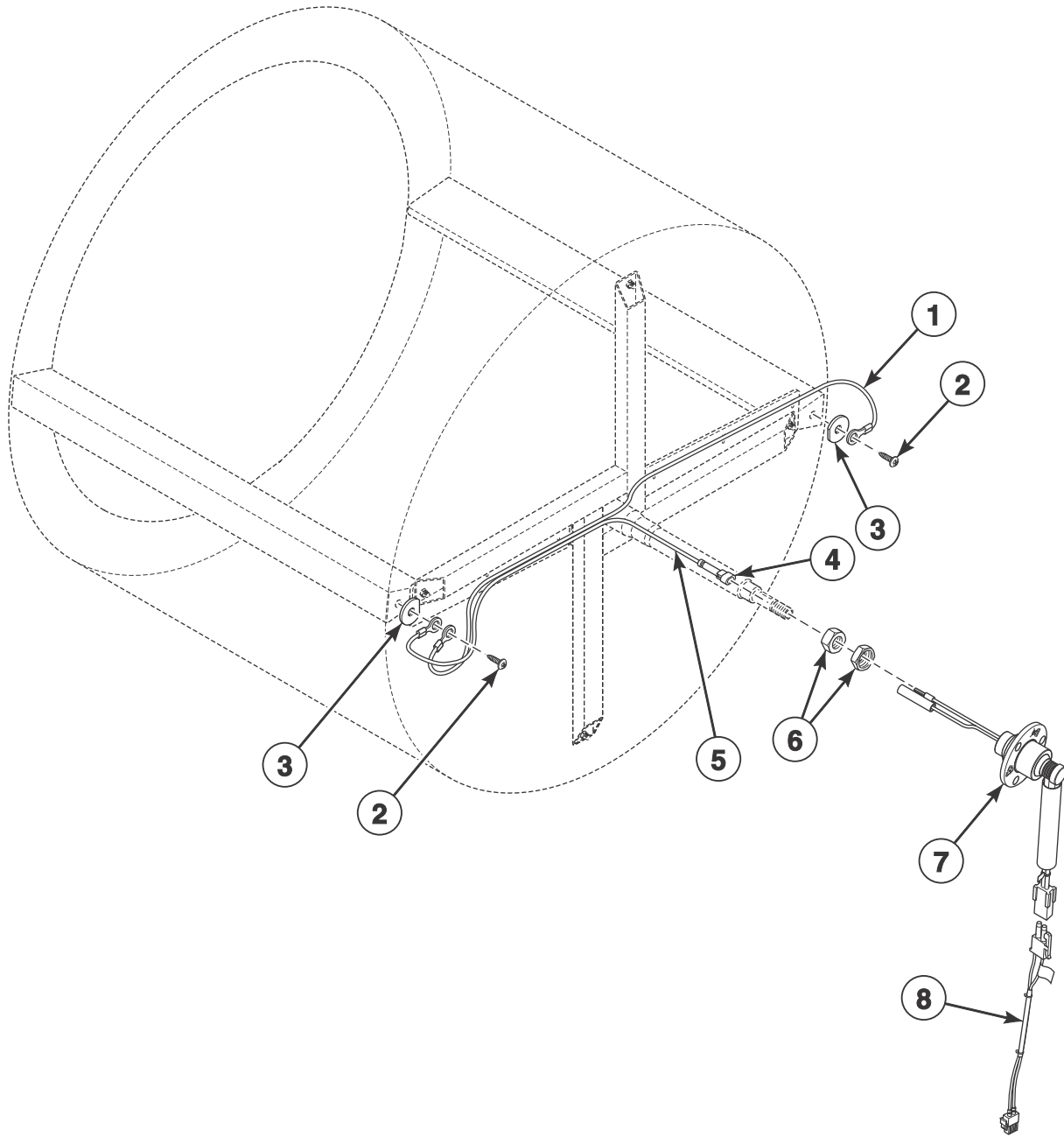


TMB2995P_70574101

Cylinder Drive Motor

REF	PART NO.	DESCRIPTION	COMMENTS
1	44162901	Cylinder Motor Harness	
2	F280297	Pulley Bushing	60 Hertz
3	44264301	Sheave	60 Hertz; 4.5 inch OD
	44270801	Sheave	50 Hertz; 5.3 inch OD
4	H8752006H	Key	
5	44263401	Drive Motor	
6	M400056	Screw	
7	M400080	Washer	
8	M412986	Nut	
9	M400014	Washer	
10	44253301	Motor Base	
11	M400013	Washer	
12	70142	Nut	
13	H88412101	Nut	
14	M400015	Washer	
15	44048501	Rod End	Eyebolt assembly
16	70261401	Washer	
17	H96428487	Belt Adjustment Tube	
18	M400063	Screw	
19	H96428693	Base Bracket	

Moisture Sensing Components

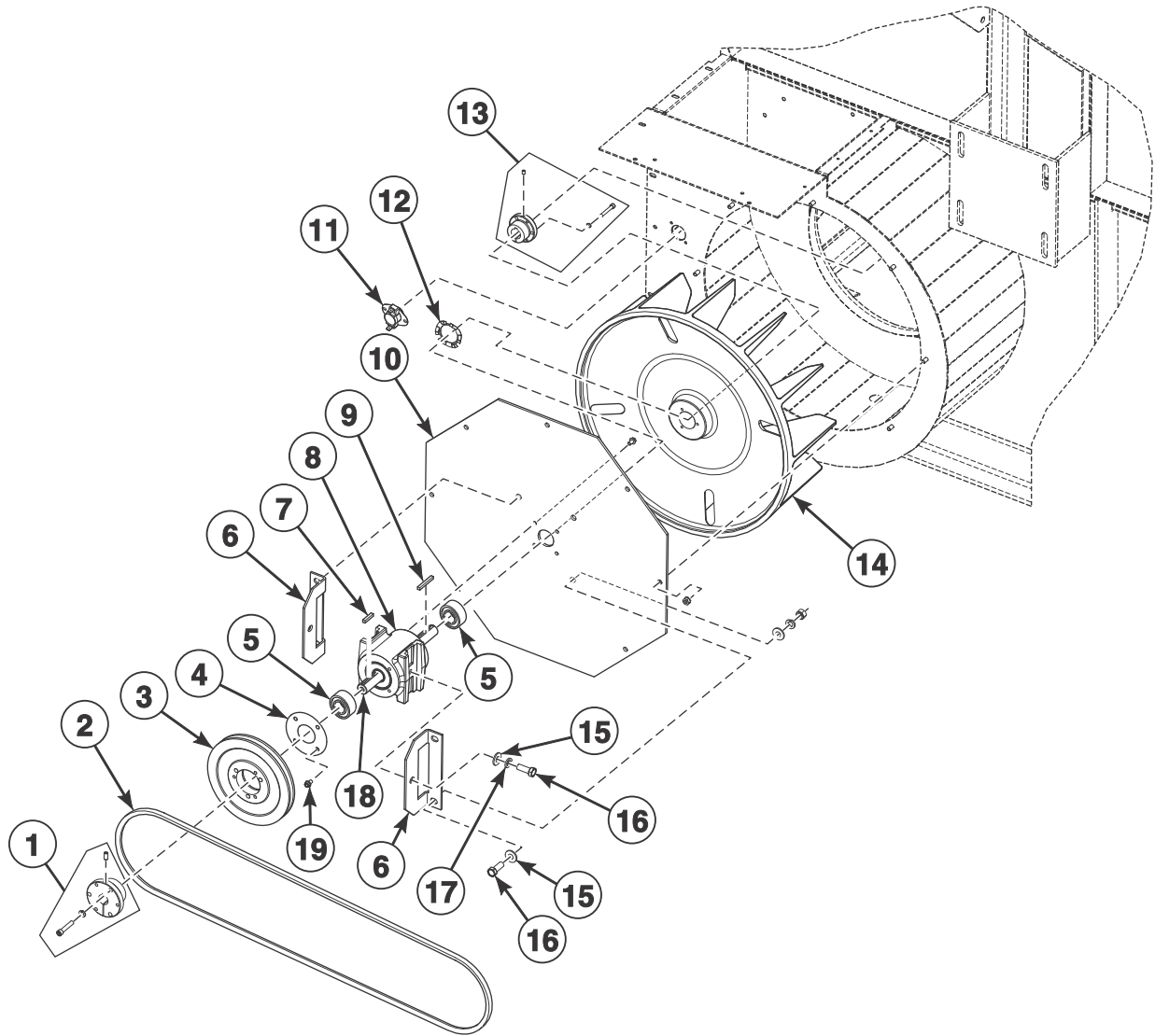


TMB3444P_70574101

Moisture Sensing Components

REF	PART NO.	DESCRIPTION	COMMENTS
	70468901	Moisture Sensor Test Wires	Use to troubleshoot the moisture sensor circuit
1	44208101	Rib Wire	
2	44337201	Screw	
3	44238902	Washer	
4	26302	1 Circuit Plug	
5	44208201	Shaft Wire	
6	M400035	Nut	
7	44222701	Slip Ring Assembly	
8	44209201	Moisture Sensor Harness Assembly	Goes from item 7 to main harness

Fan Assembly

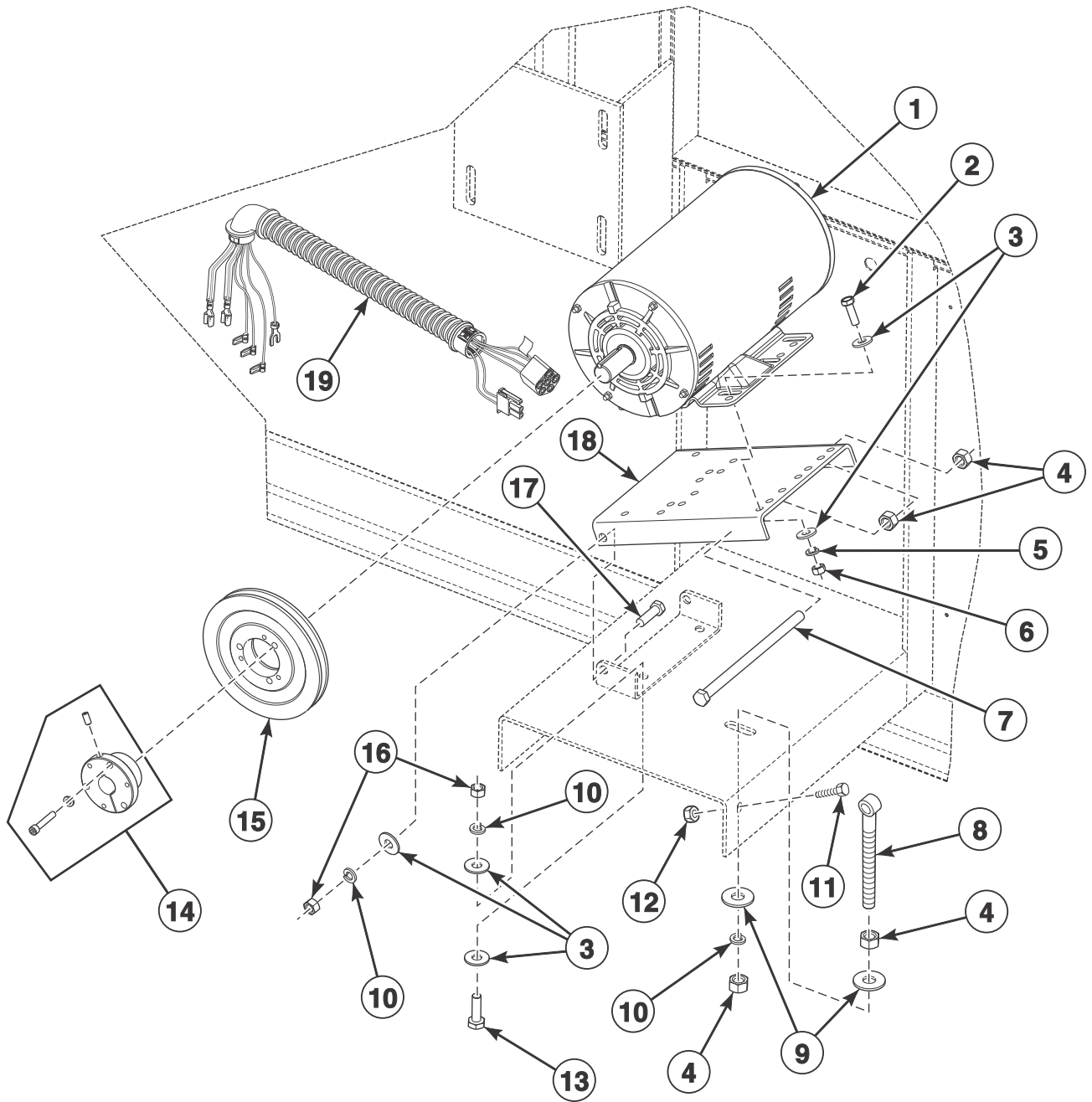


TMB2586P_70574101

Fan Assembly

REF	PART NO.	DESCRIPTION	COMMENTS
	M412630	Idler Housing Assembly	Includes items 5, 8 and 18
	M4680P3	Fan Bearing Conversion Kit	
1	H8752922HP	Bushing	Includes 44079202 Screw, 03189 Washer and 44048902 Screw
2	H87532685	Belt	
3	H8752060H	Sheave	6 inch OD; 50 Hertz
	H8752065H	Sheave	6.5 inch OD; 60 Hertz
4	M401370	Bearing Retainer	
5	M401375P	Ball Bearing	2 required for item 8
6	M414235	Fan Bearing Bracket	2 required
7	M401327	Key	
8	M412612	Idler Housing	
9	M400993	Key	
10	M414237	Blower Cover	
11	M411403	Limit Thermostat	184 closed
	M411946	Limit Thermostat	184 closed; Manual reset; CE and Australian models
	H8900530H	Thermostat	135 closed; Models with RT control suffix; Non-functional on models with RM and RQ control suffixes
12	M400401	Loading Spring	
13	M412917P	Bushing	Includes 44079301 Screw, 56552 Washer and 44048901 Screw
14	H96368469	Fan	
15	M400080	Washer	
16	M400043	Screw	6 required
17	M400014	Washer	
18	M414241	Idler Shaft	
19	70187202	Screw	8 required

Fan Motor Assembly

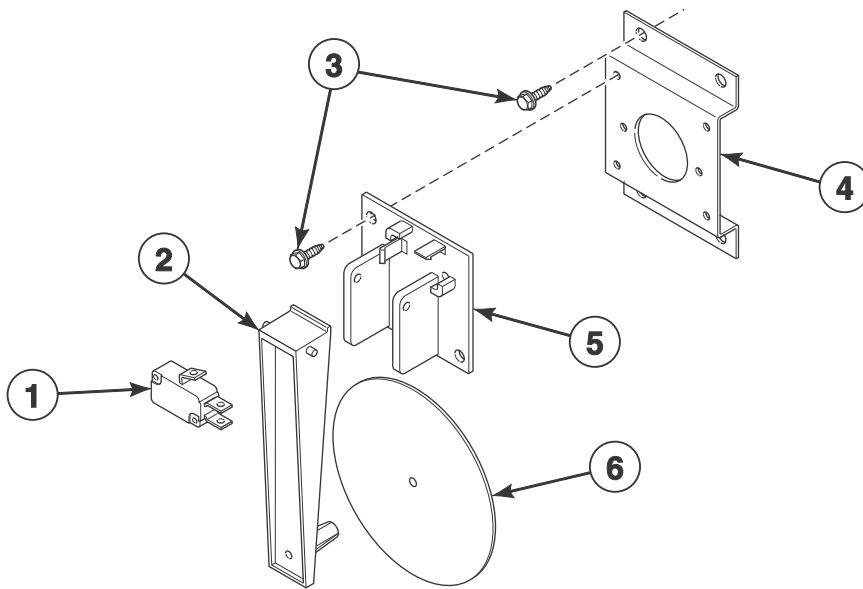


TMB2999P_70574101

Fan Motor Assembly

REF	PART NO.	DESCRIPTION	COMMENTS
1	44313501P	Fan Motor	3 hp; 200-208, 240 Volt/60 Hertz/3 Phase; 460-480 Volt/60 Hertz/3 Phase; Key included; No capacitor
	44046601P	Motor	3 hp; 380, 400-415 Volt/50 Hertz/3 Phase; Key included; No capacitor
	44313601	Motor	380 Volt/60 Hertz/3 Phase; Key included; No capacitor
2	M400056	Screw	4 required
3	M400080	Washer	
4	H88412101	Nut	4 required
5	M400013	Washer	4 required
6	70142	Nut	4 required
7	44161501	Screw	
8	44048501	Rod End	
9	70261401	Washer	2 required
10	M400014	Washer	
11	H88010038	Screw	Belt motor to fan motor base
12	29786	Nut	Belt motor to fan motor base
13	22688	Screw	4 required
14	44237801	Bushing	Includes 44079202 Screw, 03189 Washer and 44048902 Screw; Use with 44046501P Motor and 44046601P Motor; 7/8 inch ID
	44233801	Bushing	Includes 44079202 Screw, 03189 Washer and 44048902 Screw; Use with 44046501P Motor and 44046601P Motor; 3/4 inch ID
15	44255101	Sheave	Use with 44046501P Motor and 44046601P Motor; 6.55 inch OD
	44255201	Sheave	Use with 44046501P Motor, 44046601P Motor and 44157801 Motor; 7.15 inch OD
16	20274	Nut	4 required
17	H96428693	Base Bracket	
18	M413171	Motor Base	
19	44242601	Fan Motor Harness	

Airflow Switch

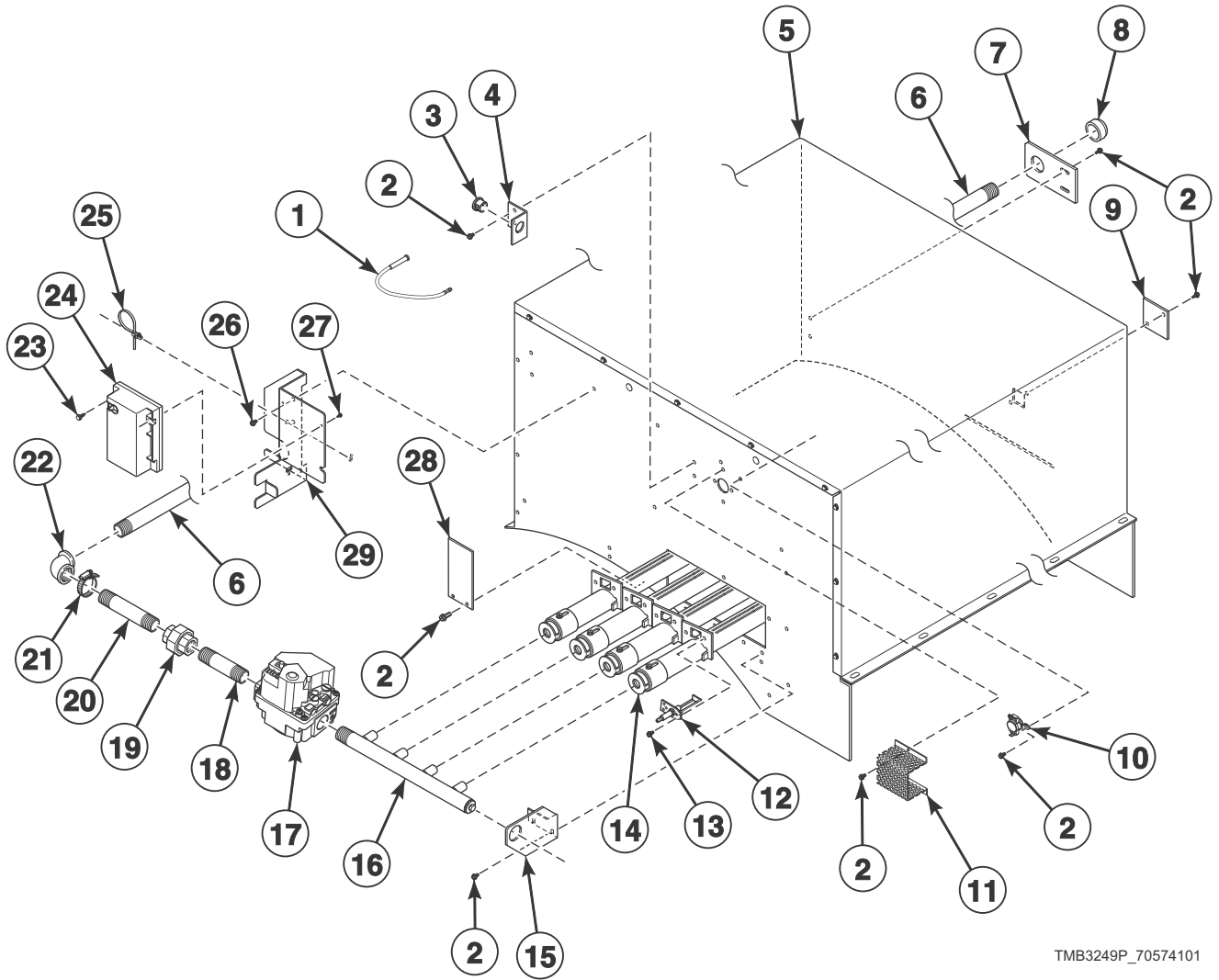


TMB3000P_70574101

Airflow Switch

REF	PART NO.	DESCRIPTION	COMMENTS
	70429601P	Airflow Switch Kit	Includes items 1-6
1	70411901	Switch	
2	70319401	Airflow Switch Arm	
3	430497	Screw	
4	70356301	Switch Bracket	
5	70319601	Airflow Switch and Arm Bracket	
6	70319201	Airflow Switch Vane	

Gas Heater Components

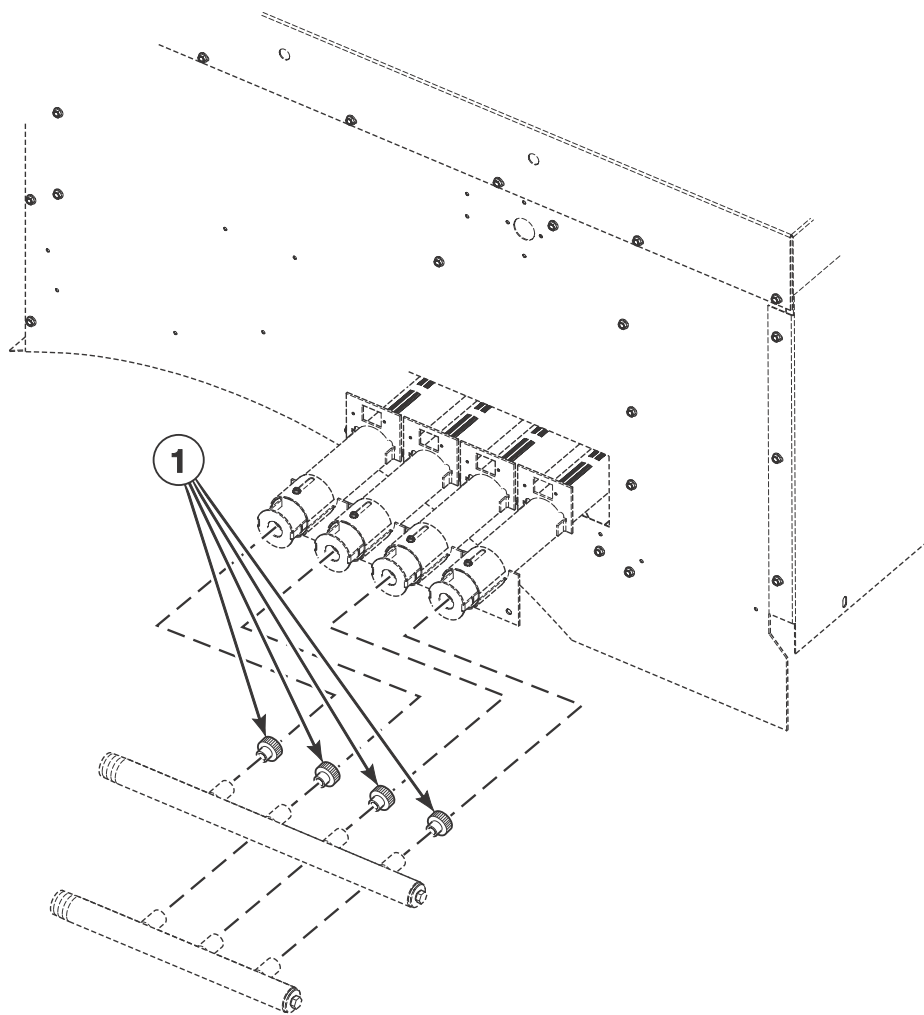


TMB3249P_70574101

Gas Heater Components

REF	PART NO.	DESCRIPTION	COMMENTS
	44257701	L.P. Conversion Kit	N.G. to L.P.; Non-CE models
	70184001	Gas Valve Harness	
	44240401P	L.P. Valve Conversion Kit	Unregulated; N.G. to L.P.; Must also order orifice, refer to Installation Manual
	44240402P	L.P. Conversion Kit	Regulated; N.G. to L.P.; CE models; Must also order orifice, refer to Installation Manual
1	44239703	High Voltage Suppression Cable	
2	430497	Screw	
3	44071501	Snap Bushing	
4	431078	Stove Limit Harness Bracket	
5	44243901	Gas Stove Assembly	
6	44252401	Pipe Nipple	
7	44249301	Pipe Bracket	
8	44087801	Pipe Cap	
9	70159601	Igniter Cover	
10	431177	Stove Limit Thermostat	Non-CE and non-Australian models; L.P.
	M413989	Manual Reset Thermostat	CE and Australian models; L.P.
	70299001	Limit Thermostat	Non-CE and non-Australian models; N.G.
	44253901	Manual Reset Thermostat	CE, Australian and Korean models; N.G.
11	M414477	Thermostat Cover	
12	44253701P	Spark Electrode	
13	51782	Screw	2 required
14	M412025P	Burner	N.G. 4 required; L.P. 3 required
15	44173801	Manifold End Bracket	
16	44245801	Spud Holder Weldment	
17	44227201	Gas Valve	N.G.
	44227202	Gas Valve	L.P.
18	44249501	Pipe Nipple	
19	M411419	Pipe Union	
20	44252301	Pipe Nipple	
21	20391	Hose Clamp	
22	44249401	Pipe Elbow	
23	51783	Screw	
24	70458601P	Ignition Control	Non-CE and non-Australian models
	70483201P	Ignition Control	CE and Australian models
25	M405829	Cable Tie	
26	51780	Screw	
27	38272	Screw	
28	44249601	Burner Opening Cover	L.P.
29	44245701	Gas Valve Bracket	

Burner Orifices for Non-CE and Non-Australian Gas Models



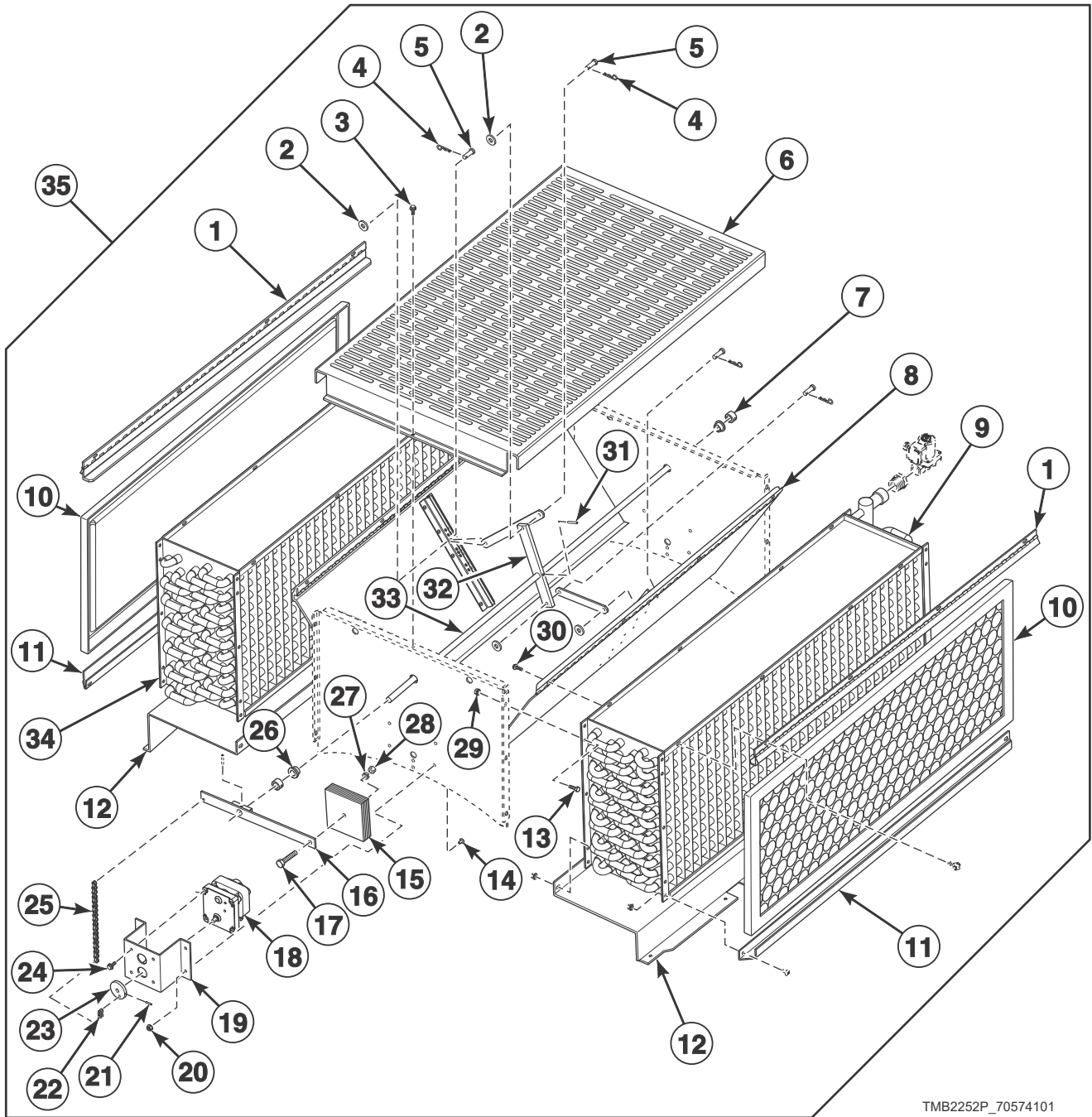
TMB2528P_70574101

Burner Orifices for Non-CE and Non-Australian Gas Models

REF	PART NO.	DESCRIPTION	COMMENTS
1	M402981	Burner Orifice	Natural Gas (N.G.); 0-2,000 feet; Drill no. 9 (5.0 mm); 4 required
	M411372	Burner Orifice	N.G.; 2,001-4,000 feet; Drill no. 12 (4.8 mm); 4 required
	M411371	Burner Orifice	N.G.; 4,001-6,000 feet; Drill no. 14 (4.6 mm); 4 required
	M411374	Burner Orifice	N.G.; 6,001-8,000 feet; Drill no. 17 (4.4 mm); 4 required
	M402995	Burner Orifice	N.G.; 8,001-10,000 feet; Drill no. 19 (4.2 mm); 4 required
	44254001	Burner Orifice	Liquid Petroleum (L.P.); 0-2,000 feet; 3.4 mm; 4 required
	M401021	Burner Orifice	L.P.; 2,001-4,000 feet; Drill no. 30; 4 required
	M402489	Burner Orifice	L.P.; 4,001-6,000 feet; Drill no. 1/8 (3.2 mm); 4 required
	M401017	Burner Orifice	L.P.; 6,001-8,000 feet; Drill no. 31 (3.0 mm); 4 required
	M401022	Burner Orifice	L.P.; 8,001-10,000 feet; Drill no. 33 (2.9 mm); 4 required

NOTE: For CE gas and orifice information, refer to Installation Manual.

Steam Heater Components - Except B, C and I Models

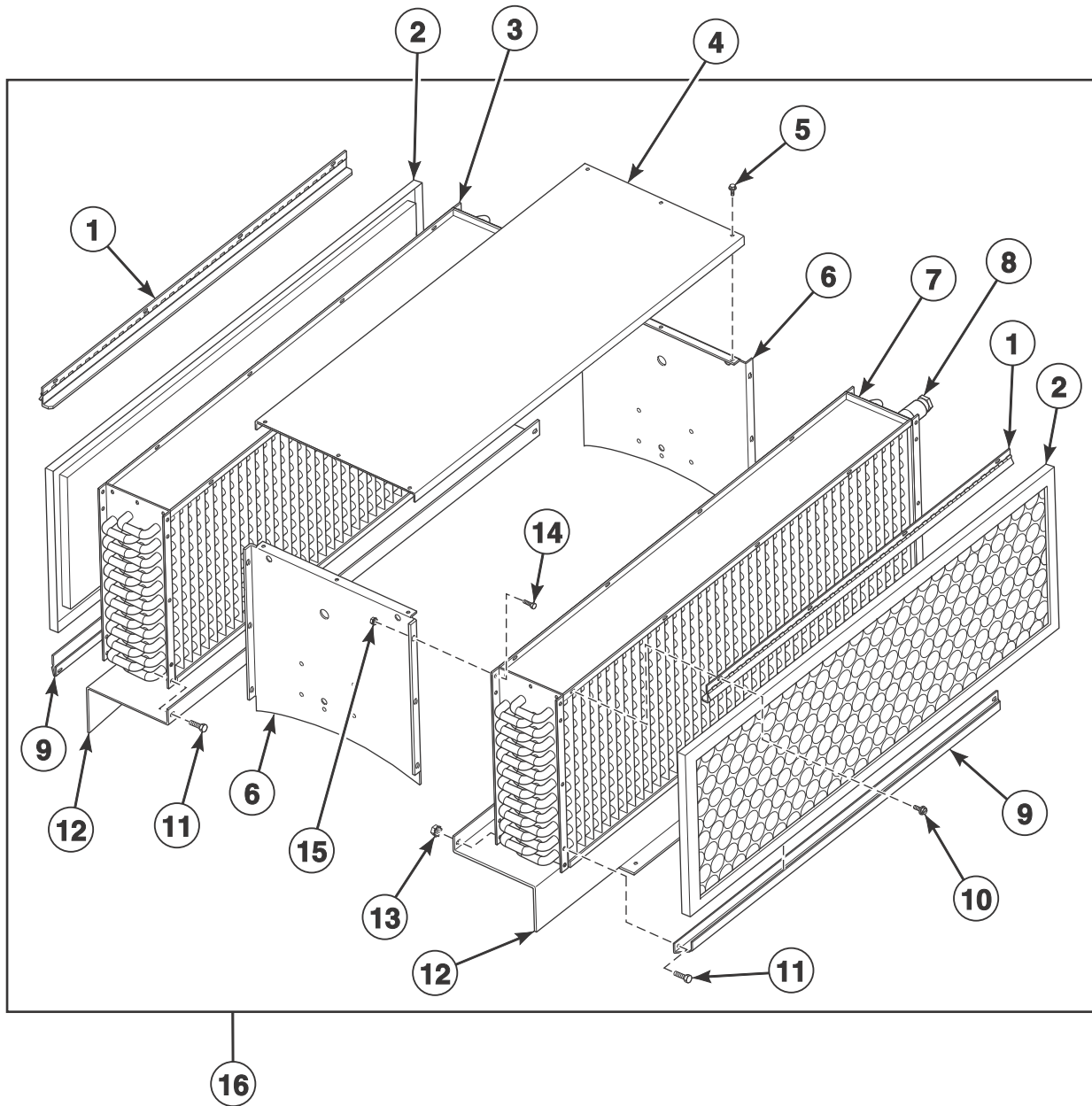


TMB2252P_70574101

Steam Heater Components - Except B, C and I Models

REF	PART NO.	DESCRIPTION	COMMENTS
	M414801	Damper Bracket	Thermal oil models; 4 required
	44243601	Steam Valve Interface Harness	
1	44088101	Steam Filter Top Hinge Assembly	2 required
2	800465	Washer	4 required
3	M405188	Screw	2 required
4	44091601	Hairpin Cotter	4 required
5	44091501	Clevis Pin	4 required
6	44018501	Steam Coil Housing Cover	
	44115201	Steam Cover	
7	M414451	Shaft Collar	2 required
8	H96367685	Damper Assembly	2 required
9	M409834P	Steam Coil	All models except thermal oil models; Right; 902303 Steam Pressure Label by inlet connection
10	44172101	Filter	2 required; CE models
	H96362264	Coil Filter	2 required; All other models
11	44045101	Filter Channel	2 required
	44088101	Steam Filter Top Hinge Assembly	
12	M412201	Steam Coil Support	2 required
13	02422	Screw	14 required
14	801019	Screw	8 required
15	M413331	Damper Counterweight	7 required
16	H96387501	Actuator Arm Assembly	
17	H88010574	Screw	
18	M412905P	Damper Motor	50 Hertz
	M413592P	Damper Motor	60 Hertz
19	H96388145	Motor Bracket	
20	23951	Nut	12 required
21	H88900683	Spring Pin	
22	H96382072P	Master Link	2 required
23	H96388178	Drive Wheel	
24	61199	Screw	4 required
25	H96388186	Drive Chain	
26	M414459	Bushing	2 required
27	M400013	Washer	
28	70142	Nut	
29	29786	Nut	14 required
30	D501086	Screw	16 required
31	H88970256	Roll Pin	2 required
32	44096501	Steam Damper Actuator	
33	H96368956	Damper Shaft	
34	M409833P	Steam Coil	All models except thermal oil models; Left; 902303 Steam Pressure Label by inlet connection
35	M414490P	Steam Heater Assembly	60 Hertz; Includes items 1-34
	M414485	Steam Heater Assembly	50 Hertz; Includes items 1-34

Steam Heater Components - B, C and I Models



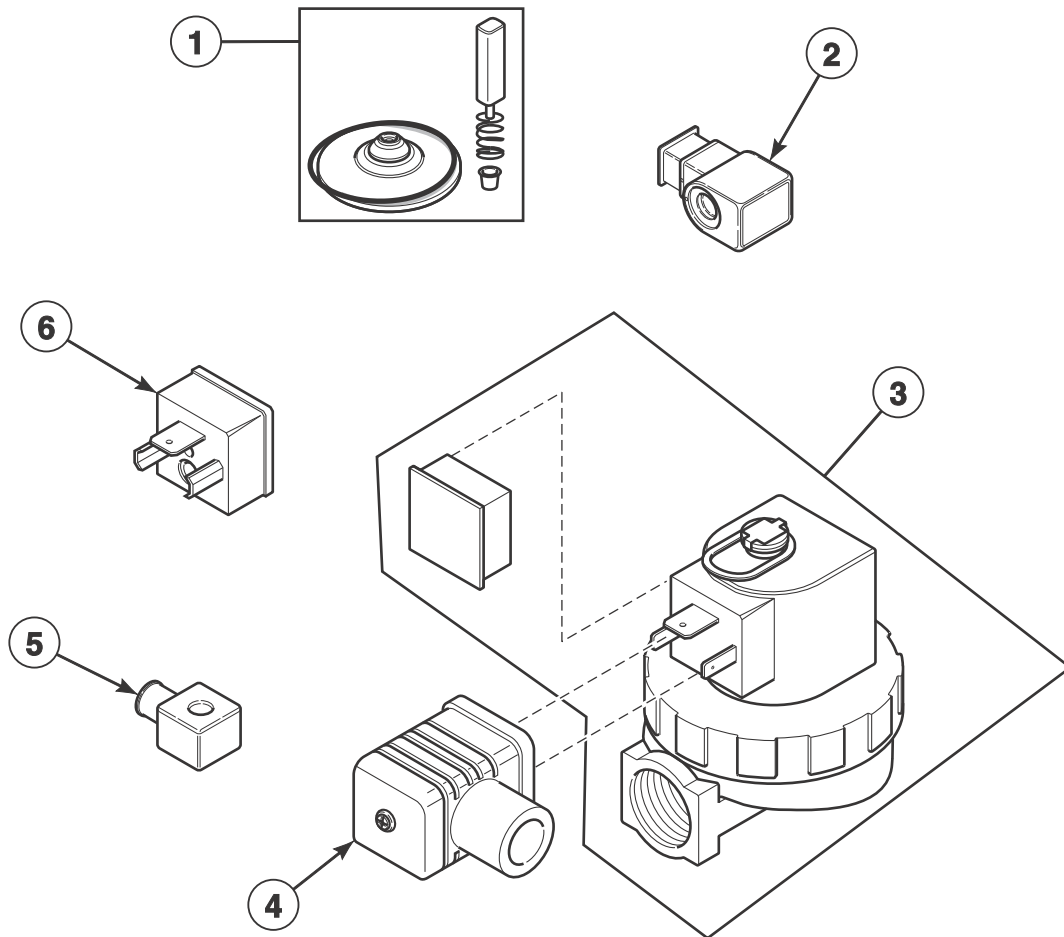
TMB3002P_70574101

Steam Heater Components - B, C and I Models

REF	PART NO.	DESCRIPTION	COMMENTS
	M414801	Damper Bracket	Thermal oil models; 4 required
	44243601	Steam Valve Interface Harness	
1	44088101	Steam Filter Top Hinge Assembly	2 required
2	44172101	Filter	2 required; CE models
	H96362264	Coil Filter	2 required; Non-CE models
3	M409833P	Steam Coil	All models except thermal oil models; Left; 902303 Steam Pressure Label by inlet connection
4	44114601	Steam Cover	
5	430497	Screw	6 required
6	44115001	Steam Coil Housing End	2 required
7	M409834P	Steam Coil	All models except thermal oil models; Right; 902303 Steam Pressure Label by inlet connection
8	M409844	Bushing	2 required
9	44045101	Filter Channel	2 required
10	D501086	Screw	8 required
11	801019	Screw	4 required
12	M412201	Steam Coil Support	2 required
13	23951	Nut	4 required
14	02422	Screw	16 required
15	29786	Nut	16 required
16	44114801	Steam Heater Assembly	Includes items 1-15

Steam Solenoid Valve

All Steam Models Except Thermal Oil Models

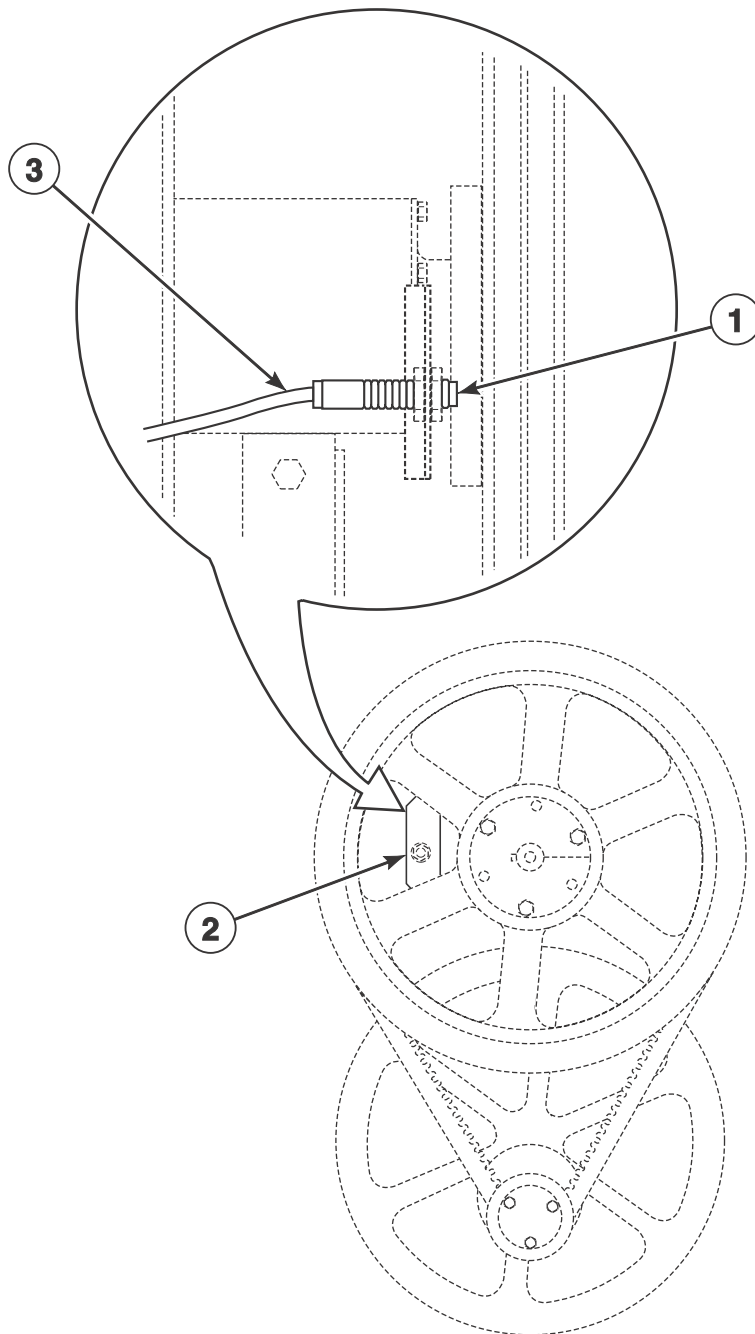


TMB3250P_70574101

Steam Solenoid Valve

REF	PART NO.	DESCRIPTION	COMMENTS
	F8514801	Valve Coil	Use with F8322902 Steam Valve
1	70351021P	Steam Valve Rebuild Kit	Parker; Use with 70351001P Steam Valve
	F8379502	Valve Rebuild Kit	Asco; Use with F8322902 and F8322903 Steam Valves
2	70351012	Steam Solenoid	50 Hertz; Used with F8322902 Steam Valve
3	F8521701	Valve Kit	24 Volt/60 Hertz; Parker valve replacement kit
	F8322903	Steam Valve	24 Volt/50 Hertz
	F8322901P	Valve	220 Volt/50 Hertz or 240 Volt/60 Hertz
	F8322906P	Valve	Includes F8322901P Valve and F8382301 DIN Valve Adapter Kit
4	70370301P	Solenoid Valve DIN Connector	
5	70351011P	Steam Solenoid	60 Hertz; Used with 70351001P Steam Valve
6	F8382301	DIN Valve Adapter Kit	

Rotation Sensor

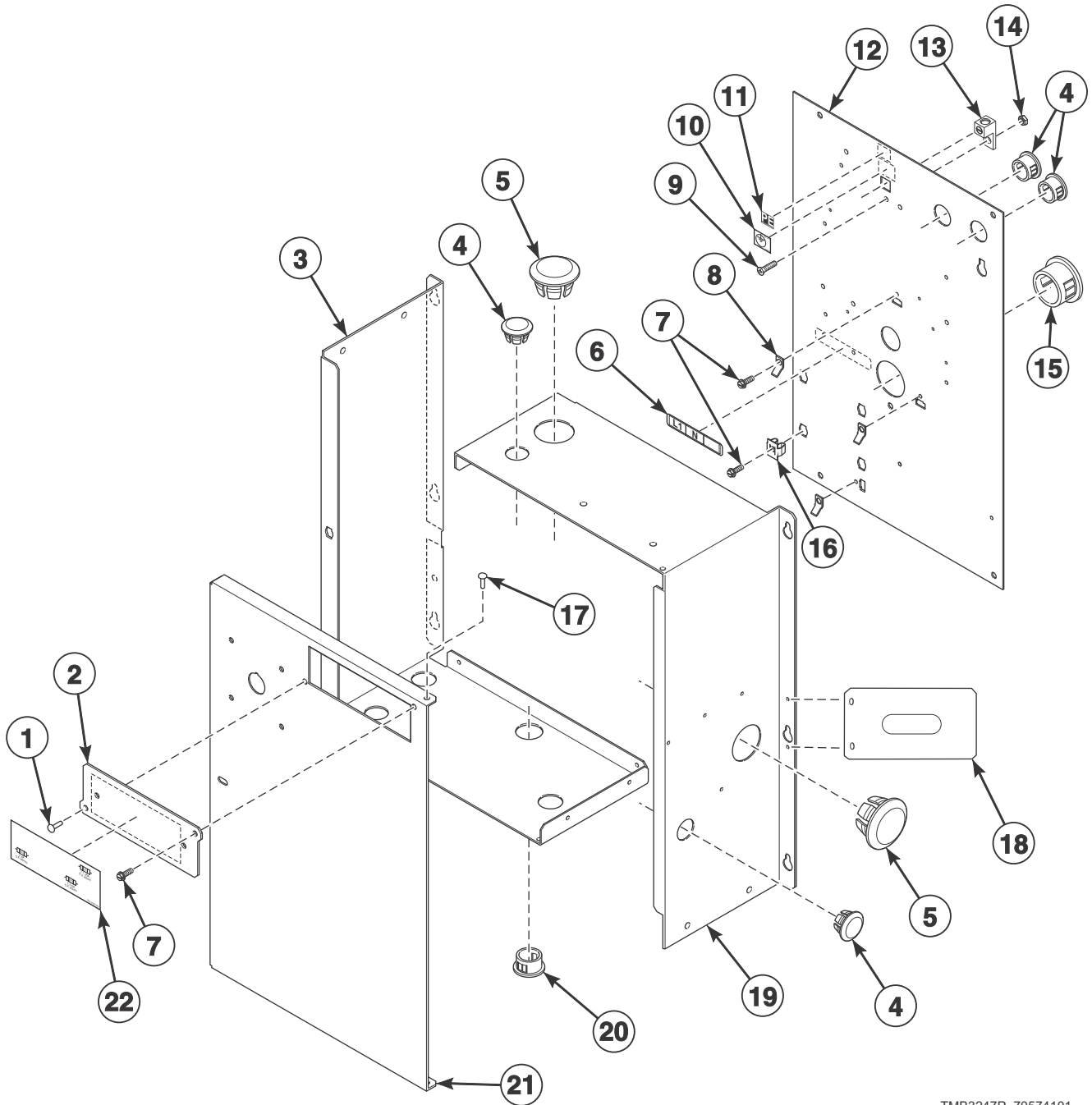


TMB2009P_70574101

Rotation Sensor

REF	PART NO.	DESCRIPTION	COMMENTS
	7010P	Rotation Sensor Kit	Includes item 1 and 44250501 Rotation Sensor Harness
1	F8066201	Rotation Sensor	
2	44111101	Rotation Sensor Bracket	
3	44201701	Rotation Sensor Harness	RE and RU control suffixes
	7010P	Rotation Sensor Kit	Models with R3 and RD control suffixes

Control Tray Wrap Components



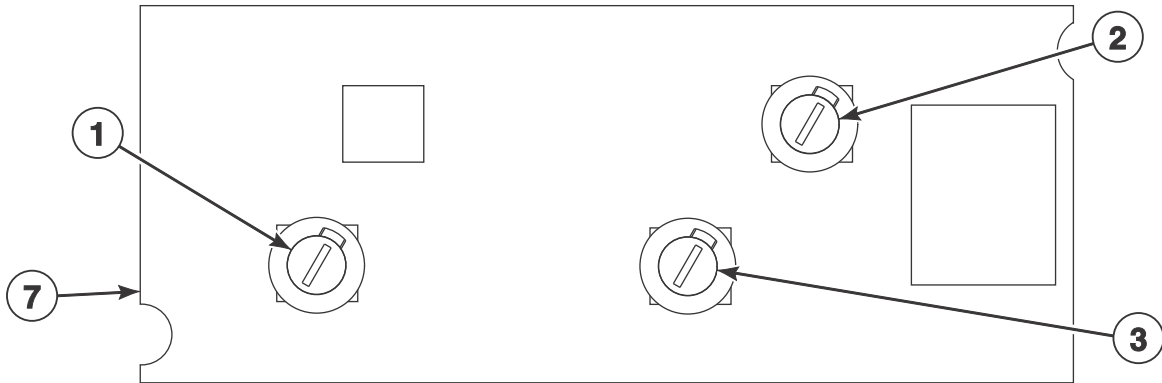
TMB3247P_70574101

Control Tray Wrap Components

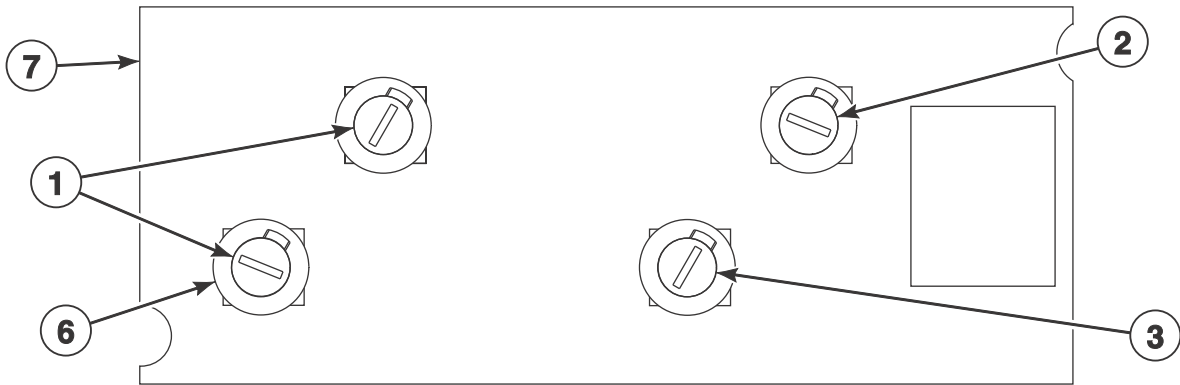
REF	PART NO.	DESCRIPTION	COMMENTS
	M414276	Mount Bracket	Used to mount items 3 and 19 to machine
1	70058501	Pop Rivet	
2	70313301	Fuse Cover	
3	44159001	Contactora Box Side	
4	M400985	Plug	3 required
5	F8223801	Hole Plug	2 required
6	70218801	Wire Label	L1, N
	70218701	Wire Label	L1, L2, L3
	70219001	Wire Label	L1, N, L2
7	F8206901	Screw	4 required
8	00177	Male Tab Terminal	3 required
9	F430909	Screw	
10	F230739	Ground Decal	
11	M412096	Earth Terminal Sticker	
12	44133701	Contactora Box Base	
13	M411283	Ground Lug Connector	
14	F430232	Nut	
15	M405340	Snap Bushing	
16	70030501	Expansion Clip	5 required
17	70058502	Pop Rivet	2 required
18	44175801	Pipe Bracket	
19	44158901	Contactora Box Side	
20	70178701	Snap Bushing	
21	44134001	Contactora Box Cover	Non-CE models
	44134002	Contactora Box Cover	CE models
22	70337301	Fuse Label	3 fuses
	70337201	Fuse Label	4 fuses; Models with less than 380 Volts
	70337401	Fuse Label	4 fuses; Models with 380 Volts or higher

Control Tray Fuses

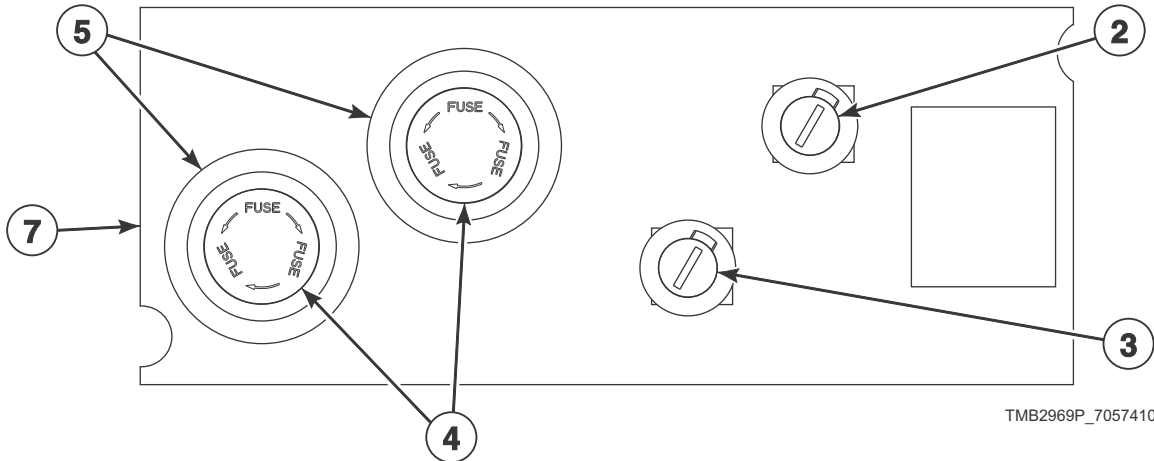
MODELS WITH LESS THAN 380 VOLTS/1 PHASE



MODELS WITH LESS THAN 380 VOLTS/3 PHASE



MODELS WITH 380 VOLTS OR HIGHER/3 PHASE

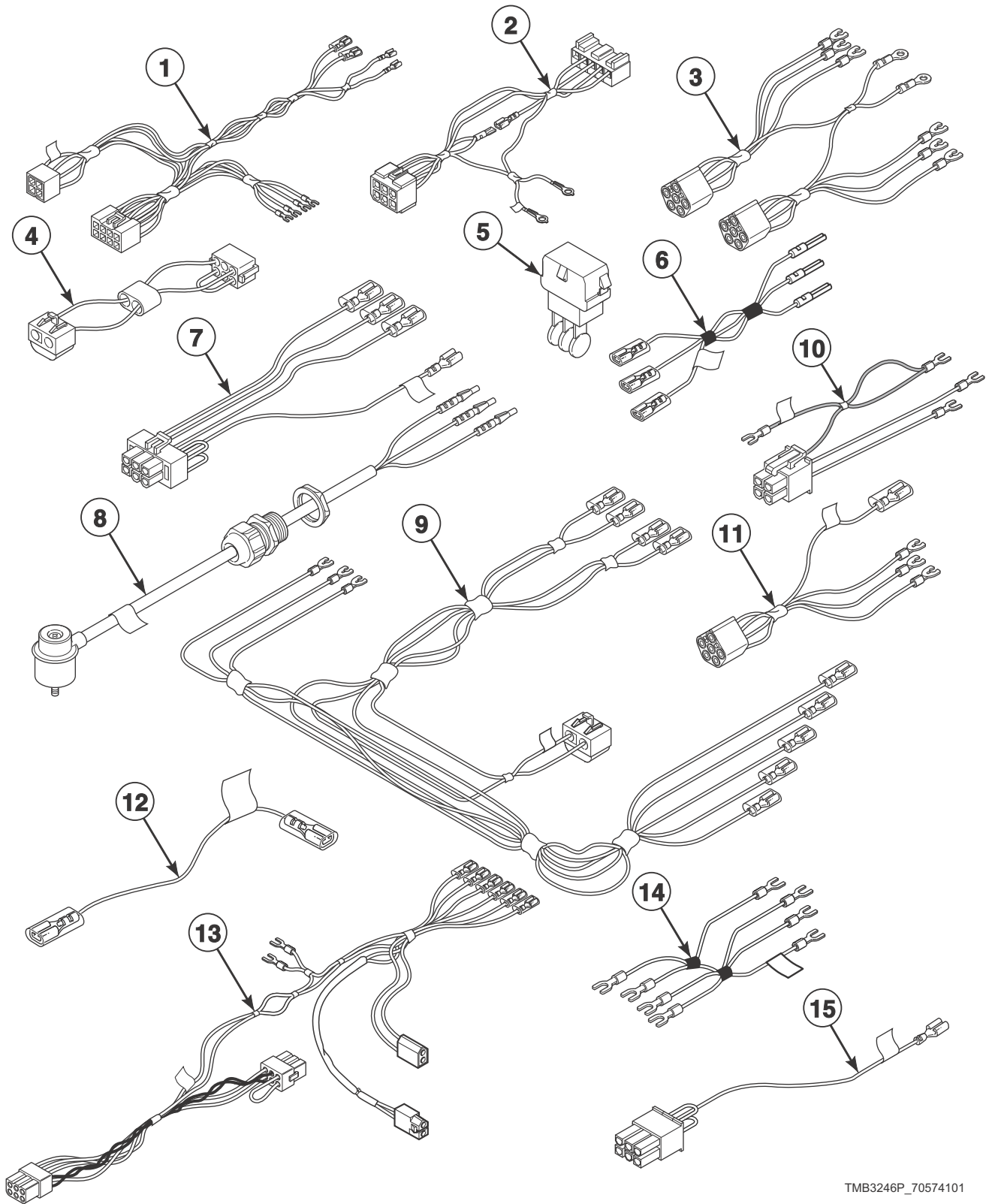


TMB2969P_70574101

Control Tray Fuses

REF	PART NO.	DESCRIPTION	COMMENTS
1	70406701	Fuse	2 Amp
2	70406501	Fuse	1.25 Amp
3	70406601	Fuse	3.5 Amp
4	44310001	Fuse	0.5 Amp
5	44155601P	Fuse Holder	
6	70329401P	Fuse Holder Body	
	70329501	Fuse Holder Cap	
7	70313602	Fuse Bracket	Models with 380 Volts or higher
	70306901	Fuse Bracket	Models with less than 380 Volts

Control Tray Harnesses

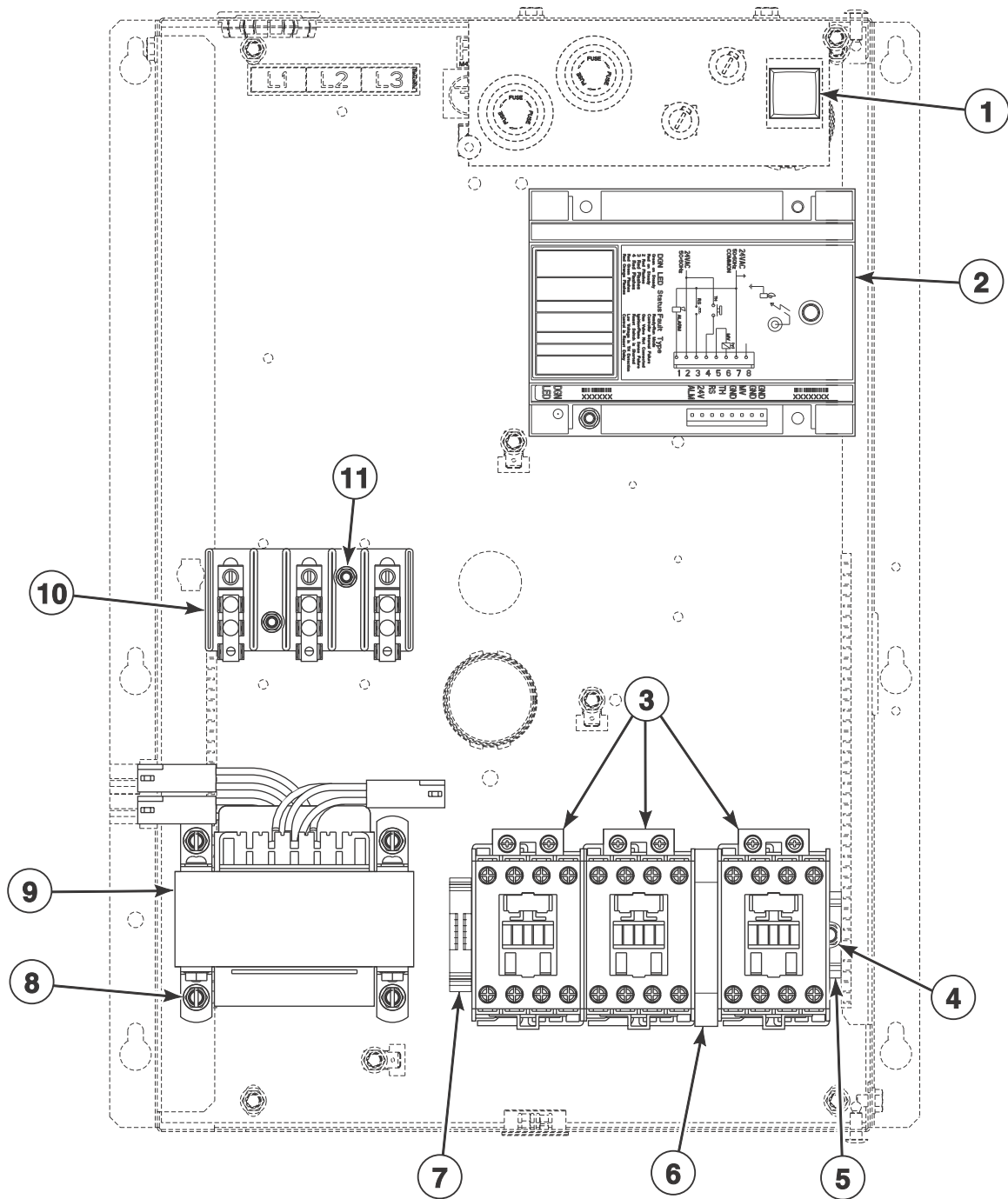


TMB3246P_70574101

Control Tray Harnesses

REF	PART NO.	DESCRIPTION	COMMENTS
1	44136701P	Junction Box Harness	
2	44251601	Ignition Control Harness	Non-CE gas models
	44251701	Ignition Control Harness	CE gas models; Models with RE and RU control suffixes
	44251201	Ignition Control Harness	CE gas models; Models with all other control suffixes
3	44139901P	Motor Contactor Harness	1 Phase
	44142601P	Motor Contactor Harness	3 Phase
4	M413506	Jumper Harness Assembly	208 Volt
	M413507	Jumper Configuration Assembly	240 Volt
	M413508	Jumper Harness Assembly	380 Volt
	M413510	Jumper Configuration Assembly	480 Volt
5	M413863	Network Capacitor Assembly	
6	70342101	Gas Disconnect Harness	CE models
7	44143401P	Network Capacitor Harness Assembly	
8	44243601	Steam Valve Interface Harness	Steam models; Use with F8322901P Valve
9	44136201P	Power Harness	3 Phase models with 380 Volts or higher
	44136301P	Power Harness	3 Phase models with less than 380 Volts
	44139801P	Power Harness	1 Phase
10	44139601P	Reversing Contactor Harness	
11	44137001P	Motor Contactor Harness	3 Phase
	44136401	Motor Contactor Harness	1 Phase
12	70389901	Steam Stove Limit Bypass Harness	Steam models
13	44201201	Steam Relay Harness	Steam models; 24 Volt
	44243401	Steam Relay Harness	Steam models; Use with F8322901P Valve on 200-240 Volt models
	44243501	Steam Relay Harness	Steam models; Use with F8322901P Valve on 380-480 Volt models
14	44157401	Reversing Contactor Jumper Wire	1 Phase; Upper
	44139501	Reversing Contactor Jumper	1 Phase; Lower
	44136801	Reversing Contactor Jumper Assembly	Upper
	44136901	Reversing Contactor Jumper Assembly	Lower
15	44142801	Steam Configuration Harness	Steam models

Control Tray Components for Gas Models

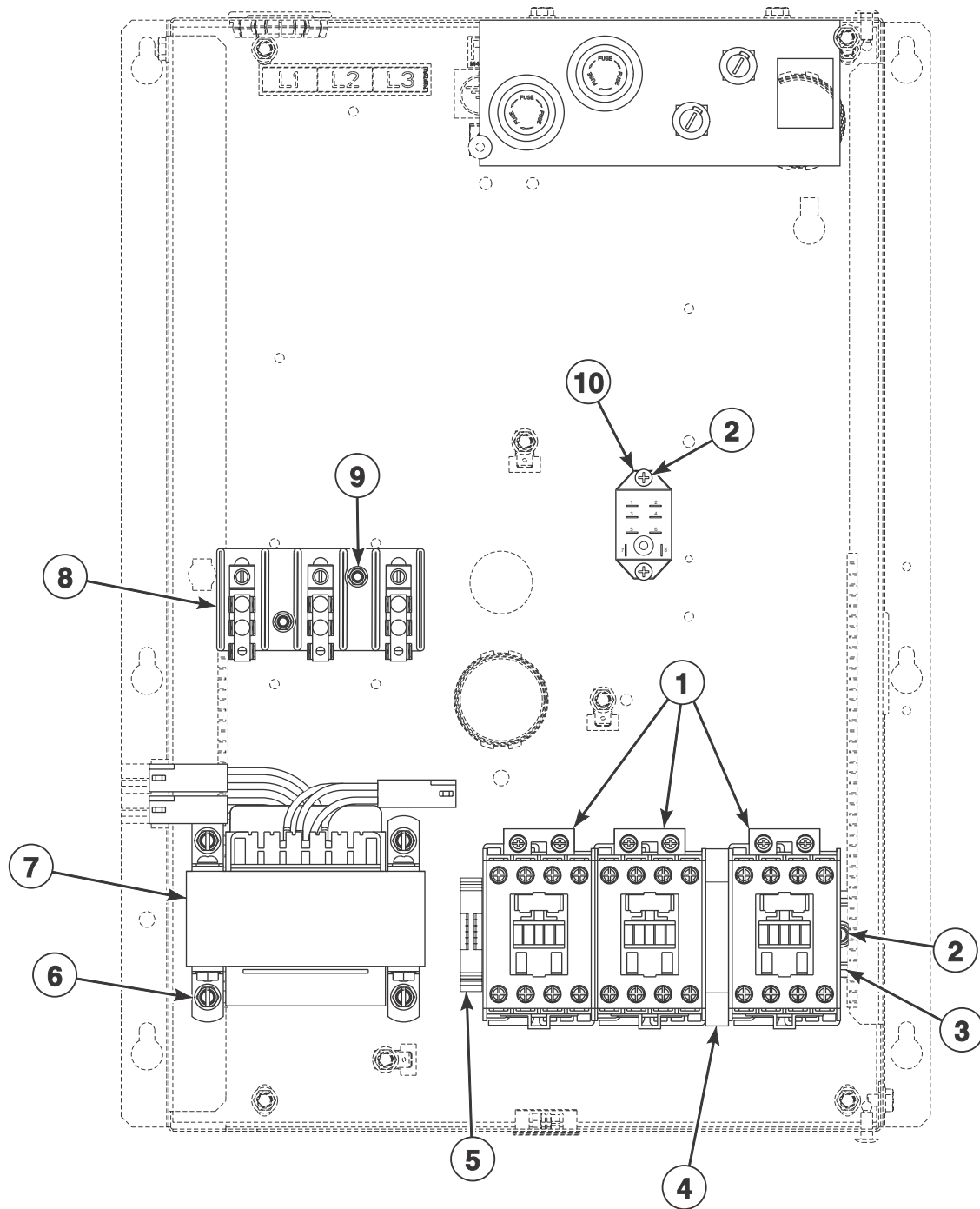


TMB3449P_70574101

Control Tray Components for Gas Models

REF	PART NO.	DESCRIPTION	COMMENTS
1	M413431	Pushbutton Switch	CE and Australian models
2	44264601	Ignition Control Kit	Non-CE and non-Australian models
	44264701	Ignition Control Kit	CE and Australian models
3	70323701P	Contactors	3 required
4	430497	Screw	2 required
5	M412693	Din Rail	
6	F330186P	Interlock Contactor	
7	70121001	End Stop	
8	M411072	Screw	4 required
9	M414228P	Transformer	Multitap; 100-240 Volt
	M414229P	Transformer	Multitap; 380-480 Volt
	44074401	Transformer	Dual secondary; 440 Volt
	M414230P	Transformer	Single secondary; 120 Volt
	M414312P	Transformer	Dual secondary; 120 Volt
10	430642	Terminal Block	Use 70333001 Terminal Block Shield to protect terminal block
11	51783	Screw	2 required

Control Tray Components for Steam Models



TMB3450P_70574101

Control Tray Components for Steam Models

REF	PART NO.	DESCRIPTION	COMMENTS
	M4984P3	Steam Kit	Includes item 10, 44201201 Steam Relay Harness and 2 of M405188 Screw
1	70323701P	Contactora	3 required
2	430497	Screw	2 required
3	M412693	Din Rail	
4	F330186P	Interlock Contactora	
5	70121001	End Stop	
6	M411072	Screw	4 required
7	M414228P	Transformer	Multitap; 100-240 Volt
	M414229P	Transformer	Multitap; 380-480 Volt
	44074401	Transformer	Dual secondary; 440 Volt
	M414230P	Transformer	Single secondary; 120 Volt
	M414312P	Transformer	Dual secondary; 120 Volt
8	430642	Terminal Block	Use 70333001 Terminal Block Shield to protect terminal block
9	51783	Screw	2 required
10	M412534	Relay	24 Volt

Parts Index

A

Access Panel	
44012702P	33
Access Panel Trim	
70399404	33
Actuator Arm Assembly	
H96387501	67
Airflow Switch and Arm Bracket	
70319601	61
Airflow Switch Arm	
70319401	61
Airflow Switch Kit	
70429601P	61
Airflow Switch Vane	
70319201	61

B

Ball Bearing	
H87672374	51
M401375P	57
M414367	51
Base Bracket	
H96428693	53, 59
Base Harness	
44227001	43
Bearing Mounting	
H96428008	49
Bearing Retainer	
M401370	57
Belt	
H87532685	57
H87533014	51
Belt Adjustment Tube	
H96428487	51, 53
Belt Guard	
44159801	45
44253001	45
44253101	45
44253102	45
Belt Guard Side	
44160001	45
44160101	45
Belt Set	
H87533816P	51
Blower Cover	
M414237	57
Bolt	
H8830143H	47
44017901	41
Burner	
M412025P	63
Burner Opening Cover	
44249601	63
Burner Orifice	
M401017	65
M401021	65
M401022	65

M402489	65
M402981	65
M402995	65
M411371	65
M411372	65
M411374	65
44254001	65
Bushing	
H8752922HP	57
H8752985HP	51
M409844	69
M411537	43, 45
M412917P	57
M414459	67
44233801	59
44237801	59
Buzzer Kit	
M4860P3	15
Bypass Harness	
70364103	17, 19, 23, 25

C

Cable Tie	
M405829	63
Cam and Hinge Kit	
M4772P3	39
M4773P3	39
Circuit Board Support	
D501523	27
Circuit Plug, 1	
26302	55
Clevis Pin	
44091501	67
Clip	
M400976	45
M400984	45
Coil Filter	
H96362264	67, 69
Contact Base	
F8538101	17, 23, 25
Contact Block Switch	
F200233400	17, 25
F200233401	23
Contact Switch	
F8069501	17, 23, 25
Contacto	
70323701P	81, 83
Contacto Box Base	
44133701	75
Contacto Box Cover	
44134001	75
44134002	75
Contacto Box Side	
44158901	75
44159001	75
Control	
44063801P	27
Control Assembly	
D512202P	17
70434101P	23, 25

N/A items do not appear in index.

70437102P	23
70437103P	23
70437104P	23
70437105P	23
70454001P	25
70454101P	23
70462307P	19
70503101P	15
70503702P	23
Control Box	
44161001	13
Control Box Base	
44065301	27
Control Box Cover	
44065201	27
Control Box Housing	
44065101	27
Control Box Top	
44065401	27
Control Chassis Mounting Bracket	
70357901	17
Control Cover	
44013307*	17, 21, 25
44013308	17, 21, 25
44013311*	17, 21, 25
44013312	17, 21, 25
44013315DG	21
44013316DG	21
44013317	17, 21, 25
44013319	17, 21, 25
44111701*	19, 25
44111702	19
44111703*	25
44111705*	19, 25
44111706	19
44111713LG	17, 21, 25
44111714LG	17
44111715LG	17, 21, 25
44111716LG	17
44111717	19
44111719	19
Control Harness	
44100101P	15
44162601	27
Control Housing Cover	
44161101	13
Control Mounting Bracket	
44099501W	21, 25
44099501*	15
44099502	15, 21, 25
44099504DG	21
44099504LG	15, 21, 25
44099505	15, 21, 25
Control Panel Harness	
44240301	21, 25
70367001P	15
70485301	19
70489901	19
Control Plate and Studs Assembly	
44099201	15
44185701	23
Control Plate Assembly	
44038601	19
44224601	25
Control Trim	
44016401	17, 21

44016402	17, 21
Cylinder and Trunnion Assembly	
44214901	47
44214902	47
44221601	47
44221602	47
Cylinder Assembly	
44215001	47
44215002	47
44221501	47
44221502	47
Cylinder Motor Harness	
44162901	53
Cylinder Rib Assembly	
44191205	47

D

Damper Assembly	
H96367685	67
Damper Bracket	
M414801	67, 69
Damper Counterweight	
M413331	67
Damper Motor	
M412905P	67
M413592P	67
Damper Rod	
M413401	45
Damper Shaft	
H96368956	67
Damper Vane	
M413402	45
Din Rail	
M412693	81, 83
DIN Valve Apapter Kit	
F8382301	71
Display Assembly	
D512218P	15
Door Assembly	
44248001	35
44248201	35
44248401	35
44272201	35
44294501B	35
44294501LG	35
70407402	35
Door Glass	
44008401P	37
44008402P	37
Door Glass Installation Tool	
M4221P4	37
Door Handle	
44007901	37
44057702	37
44263801	37
Door Hinge	
44075207B	39
Door Hinge Assembly	
44218701*	39
44218702	39
44218703LG	39
44218704	39

N/A items do not appear in index.

Door Hinge Lug Assembly	
44035001	29
44035002	29, 39
44218101	39
Door Latch	
M401223	29
Door Latch Bracket	
44219701	37
Door Latch Magnet	
44220501	29
Door Ring	
44215701	37
44215703	37
Door Ring and Handle Assembly	
44294601B	37
44294601LG	37
Door Ring Assembly	
44215801	35
44217502	37
44326003B	37
Door Ring Gasket	
44217401	37
Door Seal Kit	
70211902P	37
Door Switch	
44018201	29
Door Switch Actuator Kit	
70215001P	39
Door Switch Cover	
44001301	29
Door Switch Harness	
44227101	29
Door Switch Harness Channel	
44231401	29
Drive Chain	
H96388186	67
Drive Motor	
44263401	53
Drive Rivet	
M400713	15, 27
Drive Wheel	
H96388178	67

E

Earth Terminal Sticker	
M412096	75
Emergency Stop Contact Harness	
70364105P	17
Emergency Stop Harness	
70364106P	17, 23, 25
Emergency Stop Label	
44012901	17, 23, 25
Emergency Stop Pushbutton	
F200233500	17, 23, 25
End Stop	
70121001	81, 83
Ethernet Gateway Kit	
NK320	25
Exhaust Duct Box Wrap	
M412391	45
Expansion Clip	
70030501	15, 21, 23, 25, 75

F

Fan	
H96368469	57
Fan Bearing Bracket	
M414235	57
Fan Bearing Conversion Kit	
M4680P3	57
Fan Motor	
44313501P	59
Fan Motor Harness	
44242601	59
Ferrite Core Assembly	
M413930P	19
Fill Hose Kit	
38349P	27
Filter	
44172101	67, 69
Filter Channel	
44045101	67, 69
Fire Suppression System Label	
44128901	29
Flange Bearing	
44048301P	49
Front Access Panel	
44012701*P	33
44012707*P	33
44012708	33
44012709B	33
44012709LG	33
44012712DG	33
44012713	33
44012714	33
Front Access Panel and Door Hinge Kit	
M4787P3	33, 39
Front Panel	
44078103	31
44218401*	31
44218402	31
44218403LG	31
44218404	31
44218405W	31
44218406DG	31
44218407	31
44218408	31
Fuse	
44310001	77
70406501	77
70406601	77
70406701	77
Fuse Bracket	
70306901	77
70313602	77
Fuse Cover	
70313301	75
Fuse Holder	
44155601P	77
Fuse Holder Body	
70329401P	77
Fuse Holder Cap	
70329501	77
Fuse Label	
70337201	75
70337301	75

N/A items do not appear in index.

70337401 75

G

Gas Disconnect Harness 70342101	79
Gas Stove Assembly 44243901	63
Gas Valve 44227201	63
44227202	63
Gas Valve Bracket 44245701	63
Gas Valve Harness 70184001	63
Graphic Overlay 44240501	19
Ground Decal F230739	75
Ground Lug Connector M411283	75
Guard Extension 44222501	45

H

Hairpin Cotter 44091601	67
Handle and Caps Assembly 44049903	41
44049904	41
Handle Bar 70399501B	37
Handle Bumper 70407204	41
70407212	41
Harness Strap 55881	29
High Voltage Suppression Cable 44239703	63
Hole Plug F8223801	75
Hose 44073303	27
Hose Clamp 20391	63
36801	27
Hose Fitting 44069101	27

I

Idler Housing M412612	57
Idler Housing Assembly M412630	57
Idler Shaft M414241	57
Igniter Cover 70159601	63

Ignition Control 70458601P	63
70483201P	63
Ignition Control Harness 44251201	79
44251601	79
44251701	79
Ignition Control Kit 44264601	81
44264701	81
Insulation M411593	45
Interlock Contactor F330186P	81, 83

J

Jackshaft Assembly H96357751	51
Jumper Calibration Wire 70324604	15, 23, 25
Jumper Configuration Assembly M413507	79
M413510	79
Jumper Harness Assembly M413506	79
M413508	79
Junction Box Harness 44136701P	79

K

Key H8752006H	53
M400993	57
M401327	57
70155601	27
Kickplate 70117611	41
70117612	41

L

Label 44108201	29
44190901	29
70414001	33
Light 801432	27
Limit Thermostat M411403	57
M411946	57
70299001	63
Lint Panel 44012301*P	41
44012302P	41
44012303LG	41
44012304	41
44012304DG	41
44012305	41
44012306	41
44012307	41

N/A items do not appear in index.

Lint Panel Clip 44017801	41
Lint Panel Switch Bracket 44013401	43
Lint Panel Switch Cover 44026801	43
Lint Screen 44063603P	45
44077703P	45
Loading Spring M400401	57
Lock, Key and Nut Kit 44089301P	27
L.P. Conversion Kit 44240402P	63
44257701	63
L.P. Valve Conversion Kit 44240401P	63

M

Main Harness 44226901	13
44251501	13
Male Tab Terminal 00177	19, 75
Manifold 44079603	27
Manifold End Bracket 44173801	63
Manual Reset Thermostat M413989	63
44253901	63
Master Link H96382072P	67
Mixing Valve 36958P	27
Mixing Valve Shield Bracket 44065701	27
Moisture Sensor Harness Assembly 44209201	55
Moisture Sensor Test Wires 70468901	55
Motor 44046601P	59
44313601	59
Motor Base M413171	59
44253301	53
Motor Bracket H96388145	67
Motor Contactor Harness 44136401	79
44137001P	79
44139901P	79
44142601P	79
Mount Bracket M414276	75

N

Nameplate B12389801	33
F8443102	33
44010401	33
44010601	33
70243901	33
70348501	33
70509601	33
70522001	33
Nameplate Overlay 44144401	37
44235401	33
44331401	33
70128901	33
70410201	33
70411401	37
Network Capacitor Assembly M413863	79
Network Capacitor Harness Assembly 44143401P	79
Network Controller Kit NK220	25
Network Retrofit Kit NK209	25
Nut F430232	75
H88412101	47, 49, 51, 53, 59
M400035	55
M400977	17, 21, 33
M412334	47
M412986	53
M414215	37
02788	29
20274	49, 51, 59
23951	39, 45, 67, 69
24205	15
29786	29, 59, 67, 69
29787	15, 19
44071201	37
44087101	41
70030401	29
70054	15, 19, 21, 25, 41, 45
70142	53, 59, 67

O

Output Bracket 44223101	21
44223201	25
44223401	25
Output Harness 44186101	21, 25
Overlay 70362202	15
70362402	15
70362502	15
70432201	25
70445002	21
70445004	21
70462401	21
70462701	21
70462901	21
70472201	21

N/A items do not appear in index.

70472401	21
70493701	21
70494002	15
70499001	25
70504702	15
70504901	21
70508601	21
70526001	21

P

Panel Locator 56079	15
Pipe Bracket 44175801	75
44249301	63
Pipe Cap 44087801	63
Pipe Elbow 44249401	63
Pipe Nipple 44249501	63
44252301	63
44252401	63
Pipe Union M411419	63
Plug M400985	75
Pop Rivet 430725	23, 25, 43
44166601	29
70058501	39, 75
70058502	75
70126301	37, 41
70126401	41
Porcelain Touch-Up Paint 122P4P	29
370P4P	29
Power Harness 44136201P	79
44136301P	79
44139801P	79
Pulley Bushing F280297	53
Pushbutton Switch M413431	81
Push-to-Start Switch 801434W	27

R

Relay M412534	19, 83
Relay/Buzzer Bracket 44041701	19
Retaining Ring H88602263	51
H88603477	51
Reversing Contactor Harness 44139601P	79
Reversing Contactor Jumper 44139501	79

Reversing Contactor Jumper Assembly 44136801	79
44136901	79
Reversing Contactor Jumper Wire 44157401	79
Rib Wire 44208101	55
Rocker Switch 44099601	15
70455101	15
70461301	15
Rod End 44048501	51, 53, 59
Roll Pin H88970256	67
Roller Catch H87020202	41, 45
Roller Catch Mounting Bracket 44014001	41
Rotation Sensor F8066201	73
Rotation Sensor Bracket 44111101	73
Rotation Sensor Harness 44201701	73
Rotation Sensor Kit 7009P	19
7010P	19, 73

S

Screw D501086	19, 41, 67, 69
D501524	21, 23, 25
F430909	75
F8206901	75
H88010038	59
H88010574	67
H88012034	49
H88213996	49
M400043	57
M400044	39, 45
M400056	53, 59
M400063	51, 53
M400661	37
M402574	29
M405188	67
M411072	45, 81, 83
M411165	49
02422	67, 69
22688	51, 59
38272	63
430497	15, 27, 43, 45, 61, 63, 69, 81, 83
430757	41
431287	29
44023301	29
44161501	59
44337201	55
51780	27, 63
51782	63
51783	63, 81, 83
61199	37, 41, 45, 67
70033504	29, 39
70182601	29, 45
70187202	57

N/A items do not appear in index.

70409801	39
70442101	39
800930	15, 17, 21, 23, 25
801019	67, 69
Security Cover Kit	
M4795P3W	15, 17
Sensor Harness Assembly	
44166801	27
Shaft Collar	
M414451	67
Shaft Wire	
44208201	55
Sheave	
H8752026H	51
H87520334	51
H8752060H	57
H8752065H	57
H8752251H	51
44255101	59
44255201	59
44264301	53
44270801	53
Sleeve	
44050601	19
Slip Ring Assembly	
44222701	55
Snap Bushing	
M400770	29
M405340	75
44071501	63
70178701	27, 75
Solenoid Valve DIN Connector	
70370301P	71
Spacer	
M401402	47, 49
431264	23, 25
Spark Electrode	
44253701P	63
Spray Paint	
298P4P	29
381P4	29
382P4	29
Spring Pin	
H88900683	67
Spud Holder Weldment	
44245801	63
Steam Coil	
M409833P	67, 69
M409834P	67, 69
Steam Coil Housing Cover	
44018501	67
Steam Coil Housing End	
44115001	69
Steam Coil Support	
M412201	67, 69
Steam Configuration Harness	
44142801	79
Steam Cover	
44114601	69
44115201	67
Steam Damper Actuator	
44096501	67
Steam Filter Top Hinge Assembly	
44088101	67, 69

Steam Heater Assembly	
M414485	67
M414490P	67
44114801	69
Steam Kit	
M4984P3	83
Steam Relay Harness	
44201201	79
44243401	79
44243501	79
Steam Solenoid	
70351011P	71
70351012	71
Steam Stove Limit Bypass Harness	
70389901	79
Steam Valve	
F8322903	71
Steam Valve Interface Harness	
44243601	67, 69, 79
Steam Valve Rebuild Kit	
70351021P	71
Step Pulley and Bearing Kit	
M4696P3	51
Stove Limit Harness Bracket	
431078	63
Stove Limit Thermostat	
431177	63
Switch	
70411901	61
Switch Assembly	
70413401	43
Switch Bracket	
70356301	61
Switch Plate	
M413236	15

T

Temperature Knob	
44104601	15
Temperature Selector Switch	
D511711	15
Temperature Selector Switch Bracket	
70391701	15
Terminal Block	
430642	81, 83
Thermistor	
M414704	45
44064701	27
Thermistor Bracket Assembly	
44051301	45
Thermostat	
H8900530H	57
Thermostat Cover	
M414477	63
Top Access Panel Gusset	
44028301DG	45
44028301LG	45
44028301*	45
44028302LG	45
44028302*	45
Transformer	
M414228P	81, 83

N/A items do not appear in index.

M414229P.....	81, 83
M414230P.....	81, 83
M414312P.....	81, 83
44074401	81, 83
Trunnion Assembly	
44240801	47
44240802	47

U

USB Gateway Kit	
NK330	25
USB IR Interface Kit	
203346	21, 25

V

Valve	
F8322901P	71
F8322906P	71
Valve Coil	
F8514801	71
Valve Kit	
F8521701	71
Valve Rebuild Kit	
F8379502	71

W

Washer	
M400013	53, 59, 67
M400014	51, 53, 57, 59
M400015	49, 51, 53
M400080	53, 57, 59
M400081	51
M405535	41
03815	15, 17, 21, 25
44238902	55
70261401	47, 49, 51, 53, 59
70409301	37
800465	29, 67
Water Hose	
F200116	27
Wire Label	
70218701	75
70218801	75
70219001	75
Wireless Network Kit	
NK309	25
