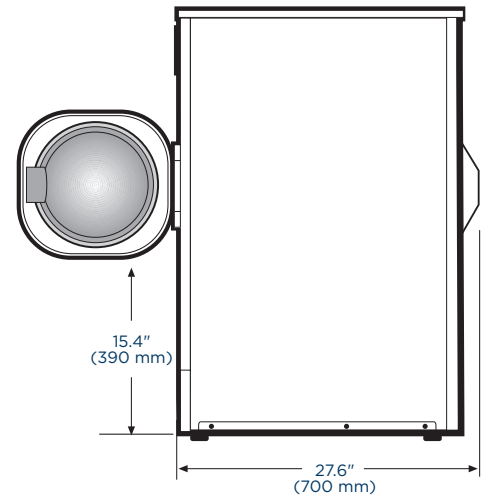
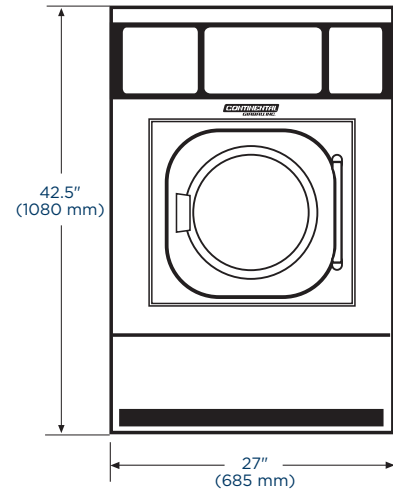


EHO20

ON-PREMISE E-SERIES SOFT-MOUNT WASHER-EXTRACTOR

Capacity <i>lbs</i>	20
Cylinder Diameter <i>inch</i>	21.1
Cylinder Depth <i>inch</i>	13.8
Cylinder Volume <i>cu ft</i>	2.8
Net Weight <i>lbs</i>	249
Crated Weight <i>lbs</i>	271
Machine Dimensions <i>inch</i> WxDxH	27 x 27.6 x 42.5
Door Opening <i>inch</i>	12.7
Floor to Door <i>inch</i>	15.4
Shipping Dimensions <i>inch</i> WxDxH	28.3 x 29.1 x 47.7
Washing Speed <i>rpm</i>	50
Spin Speed <i>rpm</i>	50/100/400/600/800/970
G-force	0.75/3/49/108/192/300
Static Force Transmitted <i>lbs</i>	340
Dynamic Force Transmitted <i>lbs</i>	115
Frequency of Dynamic Force <i>Hz</i>	16.2
Available Voltages/Wire Conductor/Amp	
Hot Water (standard)	120/60/1, 3-prong cord, 15
Hot Water (standard)	208-240/60/1, 2W+G, 5
Electric Auxiliary Heat (optional)	208-240/60/1, 2W+G, 20
Electric Auxiliary Heat (optional)	208-240/60/3, 3W+G, 20
Modified Energy Factor (MEF)	2.21
Water Consumption Factor (WCF)	5.03
Drain Diameter <i>inch</i>	
Pump Drain	1
Gravity Drain	2
Water Inlets <i>inch</i>	3/4
Recommended Water Pressure <i>PSI</i>	30-60
Water Flow <i>gal/min</i>	8
Total Power <i>kW</i>	0.8
Electrical Heating Power (optional) <i>kW</i>	4.3



* Specifications subject to change without notice or obligation. Contact Continental Girbau at (800) 256-1073 for dimensions not shown or for clarification.

* Modified Energy Factor (MEF) measured in cubic feet per kilowatt-hour per cycle. Water Consumption Factor (WCF) measured in gallons per cycle per cubic feet. MEF and WCF statistics are according to DOE test results report by Intertek, an independent testing laboratory, dated February 27, 2007.

