

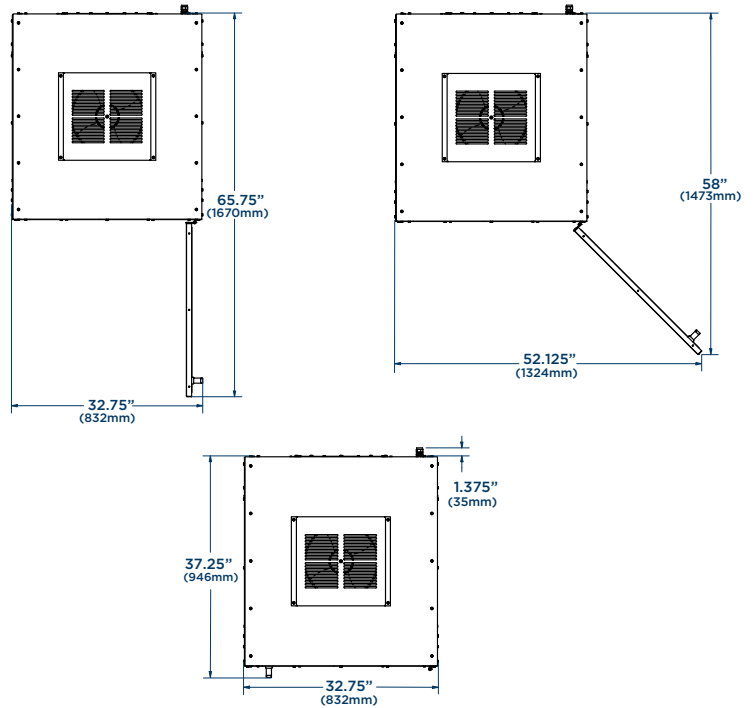
SD2

STATIONDRY GEAR DRYER

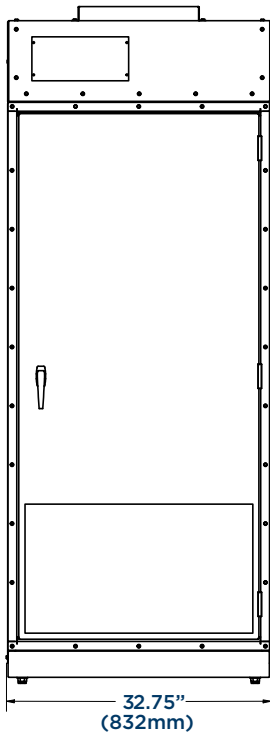
Maximum Number of Gear Sets	2
Machine Dimensions <i>inch</i> WxDxH	32.75 x 38.625 x 84
Shipping Dimensions <i>inch</i> WxDxH	46 x 40 x 90
Door Clearance <i>inch</i>	adds 30.5
Machine Weight <i>lbs</i>	600
Shipping Weight <i>lbs</i>	748
Constructed Material	rugged diamond plate & powder coated steel finish
Air Flow <i>cfm</i>	600
Watts of Heating	1500
Available Voltages	120/60/1
Breaker Size Required <i>Amp</i>	20
Venting Requirements <i>Inch</i>	10 - 14 recommended 12
Standard Programmed Cycles	Hose 10 hour / Gear 3 hour

* Specifications subject to change without notice or obligation.
Contact Continental Girbau at (800) 256-1073 for dimensions not shown or for clarification.

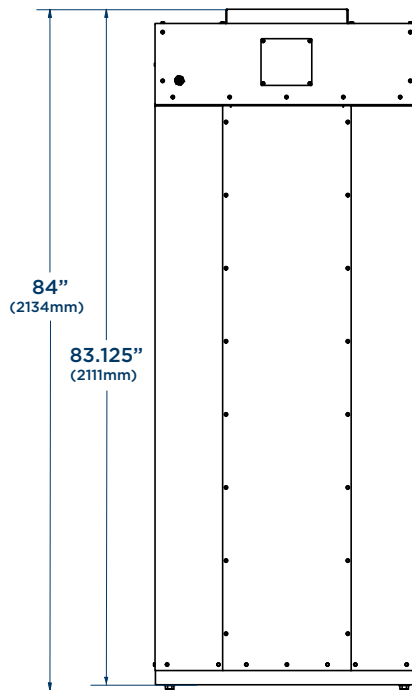
TOP VIEW



FRONT VIEW



BACK VIEW



SIDE VIEW

