

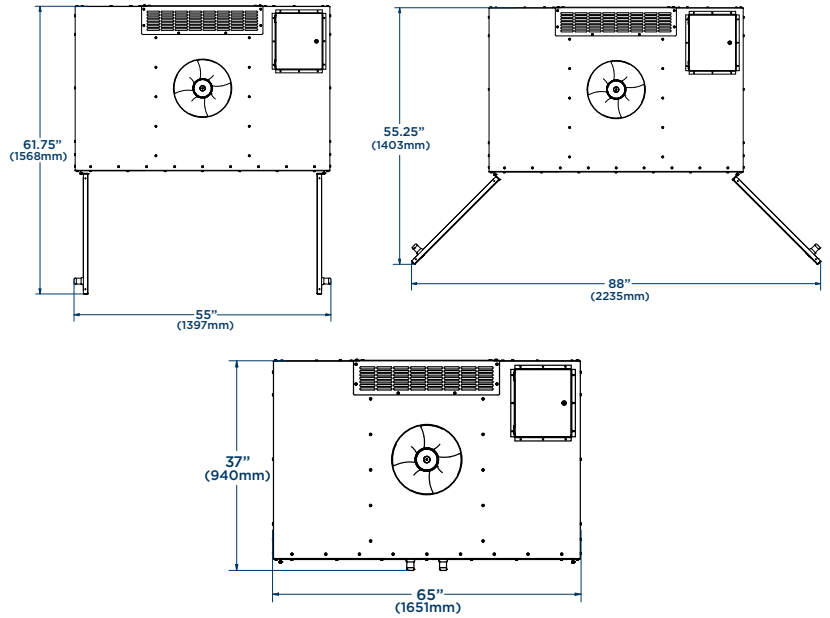
SD6

STATIONDRY GEAR DRYER

Maximum Number of Gear Sets	6
Machine Dimensions <i>inch</i> WxDxH	55 x 35.5 x 82.5
Shipping Dimensions <i>inch</i> WxDxH	60 x 46 x 90
Door Clearance <i>inch</i>	add 25.5 (add 3.3 for fan height)
Machine Weight <i>lbs</i>	800
Shipping Weight <i>lbs</i>	953
Constructed Material	rugged diamond plate & powder coated steel finish
Air Flow <i>cfm</i>	900
Watts of Heating	6000
Available Voltages	208-240/60/1-3
Breaker Size Required <i>Amp</i>	35
Venting Requirements <i>Inch</i>	10 - 14 recommended 12
Standard Programmed Cycles	Hose 10 hour / Gear 3 hour

* Specifications subject to change without notice or obligation.
Contact Continental Girbau at (800) 256-1073 for dimensions not shown or for clarification.

TOP VIEW



FRONT VIEW

BACK VIEW

SIDE VIEW

