

Summary

January 1, 2023, Girbau made a running change to the inverter of the EH030 and EH040. This change involves a new inverter design and software. For service of models manufactured before January 1st 2023, you will need the new inverter and the microprocessor (front display board) to be either updated with the latest version of software or to be replaced.

Models

Current production models - EH030, EH040

Older models affected - EM030, EM040, EM055, MG030, MG040, MG055

This change applies to all controls which include Logi, Logi Pro, Inteli, and Vended.

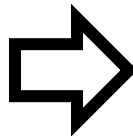
Serial Number Assignment

The last 3 digits in the serial number indicates when it was manufactured. The letter references the month and the last two numbers indicate the year.

- Third last letter in the serial number
 - A - January, B – February, C – March,...(I and L are not used)
- Last two digits in the serial number
 - 19 – 2019, 20 – 2020, 21 – 2021, 22 – 2022, 23 – 2023....
- Machines manufactured before xxxxxxxxA23 – January 2023, will need to have the software updated on the microprocessor prior to or when a new inverter is installed.

Inverter Changes

- The Danfoss (green color inverter p/n 537068) on the models listed above has been replaced with an EGO inverter (blue color p/n is detailed below).
- There is no external inverter relay with the EGO inverter. The inverter relay is part of the EGO inverter.
- There is no external panel mounted fuse with the EGO inverter. The fuses on the EGO inverter are replaceable board mounted fuses (part number xxxx).
- Inverter fan motor circuit is part of the inverter on the Ego inverter.



Software

- All microprocessor software, prior to January 2023, will not have the operating parameters for the EGO inverter. As a result, the microprocessor software will need to be updated using the GMP Tool.
- Software version can be read in the InFO menu of the machine and also on the back of the microprocessor. Example: software version 34 is on the circuit board pictured below:



- Microprocessors with a version lower than the required will need to either be updated with the GMP Tool or replaced.
- The EGO inverter requires the following minimum software:

Control Type	Microprocessor part number	Software Version
Logi/ Vended Control	594507	61 or greater
Inteli Control	437434	47 or greater

NOTE: Software version 61 or greater (Logi/ Vended) and software version 47 or greater (Inteli) are backward compatible with the Danfoss inverters. This would allow you to proactively update software in the event the Danfoss inverter would need to be replaced in the future.

GMP Tool

The GMP Tool is software that allows technicians to update the software on all of Girbau manufactured commercial equipment. This tool was introduced to GNA's distribution with ST-156 on 11/22/2022.

The GMP Tool runs best on laptops with Windows 10 that has limited firewalls. Administrator rights will be required upon the installation of the GMP Tool to the laptop.

PRODUCT BULLETIN – PB-162

Inverter Replacement – EH030, EH040



Part Numbers

	Part needed	Software update required
Machines manufactured before Jan 2023 with software before V61 or V47	14998918 – Inverter kit	Yes
Machines manufactured before Jan 2023 with software version 61 or 47 or greater	14998918 – Inverter kit	No
Machines manufactured after Jan 2023 with software version 61 or 47 or greater	10048197 – Inverter only	No

14998918 Kit

The EGO inverter kit will include the following parts:

- Inverter kit assembly
- Installation instructions
- Jump drive that will include
 - GMP Tool
 - Instructions on how to load the GMP Tool to your computer
 - Instructions on how to load new software to the microprocessor
 - Logi/ Vended software version 61 or greater
 - Intel software version 47 or greater

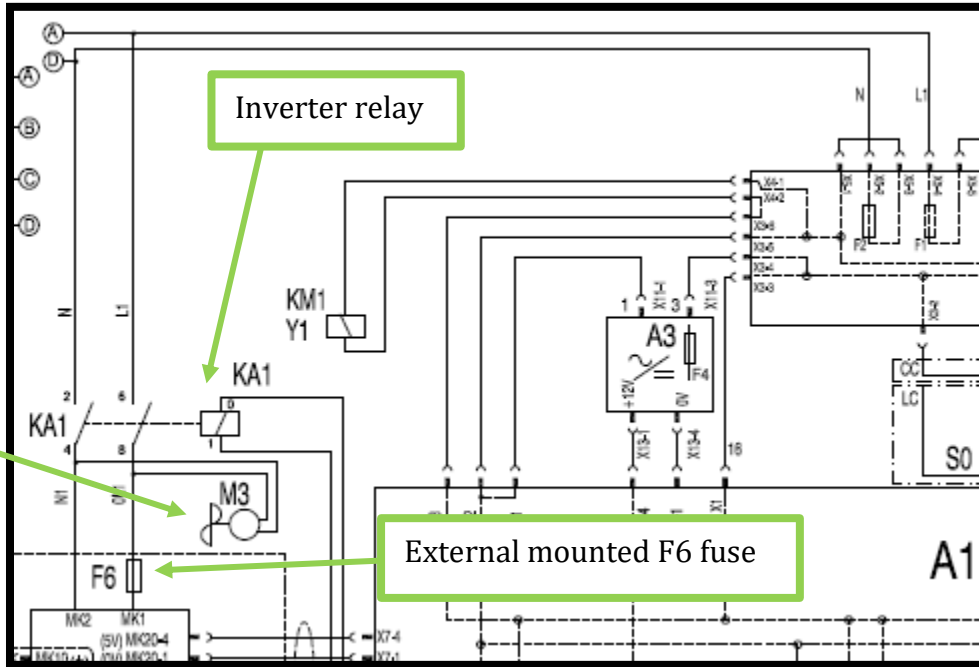


Recommendations

To eliminate future additional service calls due to having to do software updates, if you visit a customer that has several machines it might be in the best interest of everyone to preemptively update all microprocessors.

Wiring Diagrams

Danfoss inverter

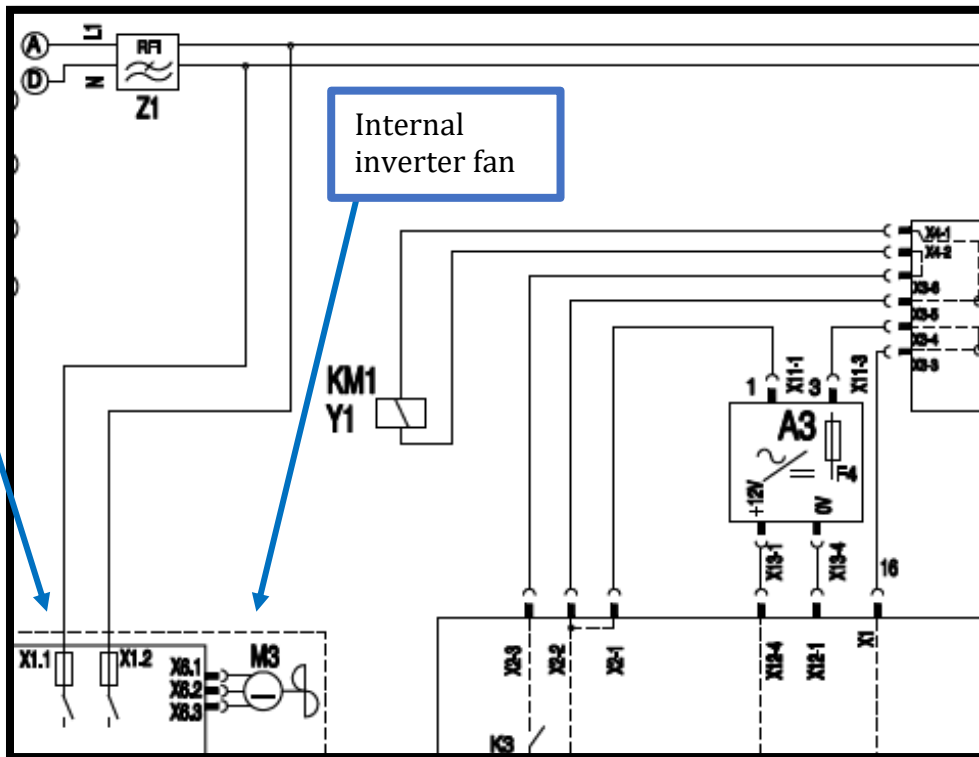


External inverter fan

Inverter relay

External mounted F6 fuse

EGO inverter



X1.1 & X1.2 board mounted fuses

Internal inverter fan

*** Always follow the warnings and procedures in the corresponding equipment instruction manual.