

# CP24130

## COMPACTPRO 5-IN-ONE IRONING SYSTEM

Engineered for medium- and high-volume laundries where space is at a premium, the CompactPro 5-in-One Ironing System not only features a compact design, it quickly feeds, irons, folds, stacks and accumulates at speeds of up to 39-feet-per-minute — improving PPOH.



**FEED** The Compact automatically adjusts feeding speed for one or two operators.



**DRY** The Compact's heat output allows for ironed linens without dryer preconditioning.



**IRON** The Compact's roller surface and interwoven straps ensure a high-quality and consistent finish.



**FOLD** The Compact can fold up to 3 cross folds using 1 lane and up to 2 cross folds using 2 lanes.



**STACK & ACCUMULATE** The stacker delivers consistent, high-quality stacks.

### PRODUCT / FEATURES

#### COMPACT DESIGN

- Less space required for installation
- Increase production within a small space

#### CAPABILITY TO PROCESS LARGE ITEMS

- Processes large and king-sized pieces in a compact machine
- Feeds a large array — both size & shape — of linen
- Offers a wider range of laundering services to the customer
- Processes large dimension items with one operator

#### INTELI TOUCH-SCREEN CONTROL

- Industrial touch screens
- Intuitive icons rather than text
- Durable design
- Easy-to-use and versatile

#### CROSS-FOLD DESIGN

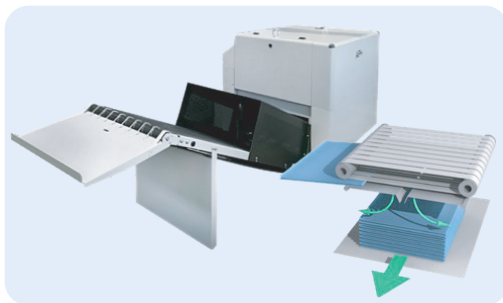
- More control over the linen
- Adapts for varying fabric thicknesses
- The high position of the cross platform and access windows allow for easier maintenance and more control, visibility and accessibility of parts and linen
- Easy maintenance
- Reduced downtime

#### ACCESSIBILITY

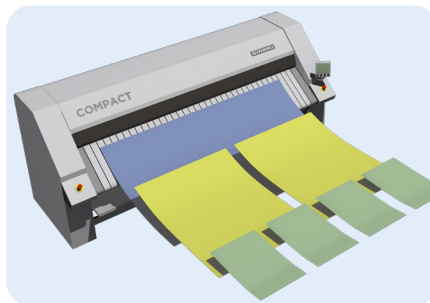
- Quick access to common parts
- Increased visibility of linen improving quality control

#### AUTOSPEED MODE

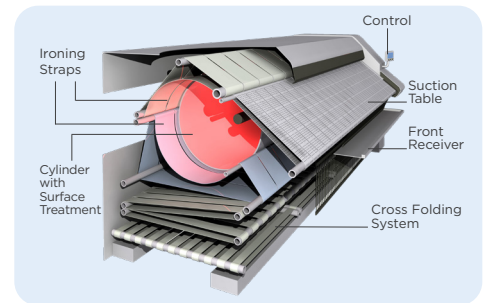
- Maintains an even and stable temperature throughout ironing process
- Linen is perfectly dried in one pass



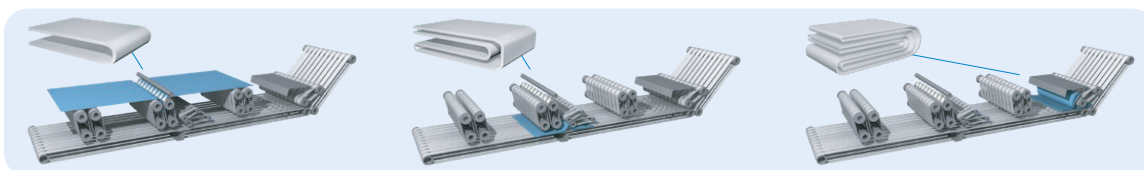
DROP PLATE STACKER



PROCESS A VARIETY OF ITEMS



CROSS-FOLD DESIGN



CROSS-FOLDING

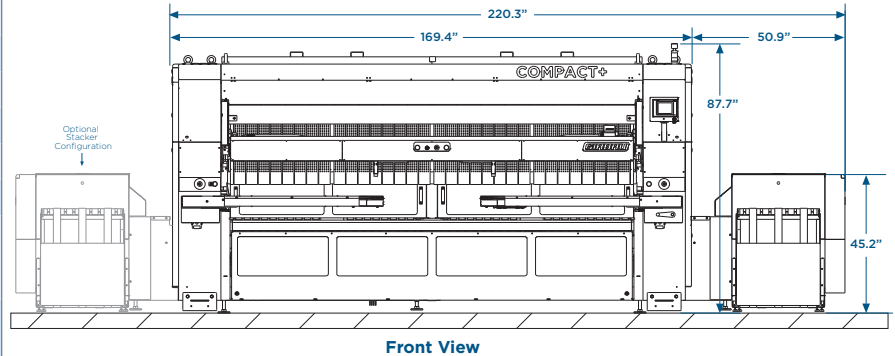
# CP24130

## COMPACTPRO 5-IN-ONE IRONING SYSTEM

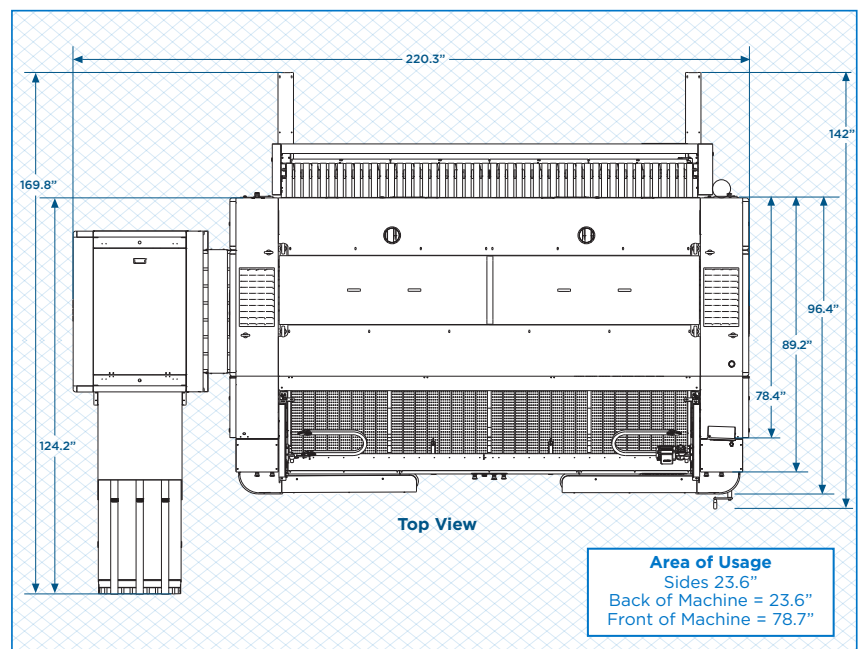
ARCHITECTURAL/MECHANICAL  
PRODUCT SPECIFICATIONS

### PRODUCT SPECS

Cylinder Diameter <i>inch</i>	24
Usable Cylinder Width <i>inch</i>	130
Evaporation Capability <i>gal/h</i>	22.5
Ironing Speed <i>ft/min</i>	13-39
Net Weight <i>lbs (machine only)</i>	8800
Crated Weight <i>lbs (machine only)</i>	9480
Machine Width <i>inch</i>	
machine only	169.4
with stacker	220.3
Machine Depth <i>inch</i>	
machine only	89.2
with stacker	124.2
with feeder & accumulator	142
with accumulator & stacker	169.8
Machine Height <i>inch</i>	87.7
Shipping Dimensions <i>inch</i>	
WxDxH	198.8 x 86.6 x 85.8
Feed Height <i>inch</i>	43.3
Electrical Draw <i>Amp</i>	see table below
Exhaust Diameter (x2) <i>inch</i>	4.9
Exhaust Pressure <i>inch W.C.</i>	1.18
Minimum Exhaust Pressure <i>cfm</i>	647 per lane
Gas Connection <i>inch</i>	
Natural	1
Propane	3/4
Gas Heating <i>BTU/h</i>	340,873
Required Inlet Gas Pressure <i>PSI</i>	2-3
Burner supply pressure (dynamic) <i>inch W.C.</i>	8
Compressed Air Connection <i>inch</i>	1/2 NPT ID
Compressed Air Flow <i>cfm</i>	14.2 @ 87-145 PSI



Front View



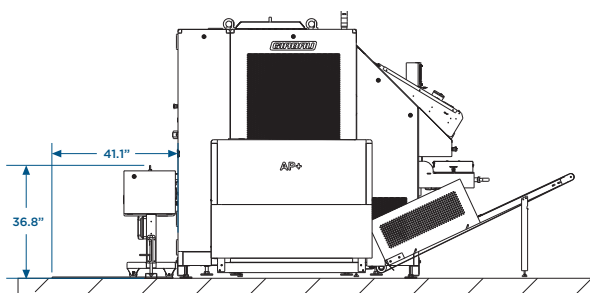
Top View

**Area of Usage**  
Sides 23.6"  
Back of Machine = 23.6"  
Front of Machine = 78.7"

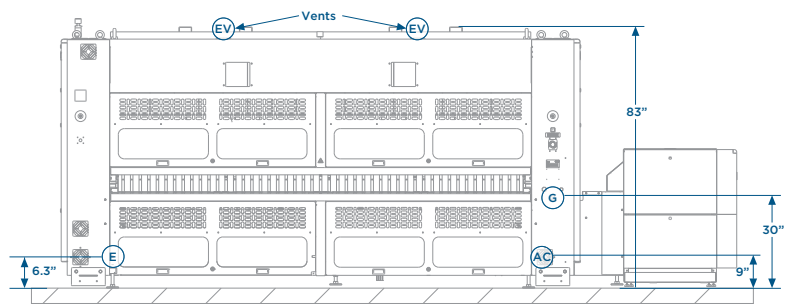
### ELECTRICAL CONSUMPTION

	208V - 240V	440V - 480V
CP24	21.5 A	10.1 A
CP32	21.5 A	10.1 A
1AP+ STACKER*	3.1 A	1.5 A
FEEDER DRX1*	2.5 A	1.2 A
REAR RECEIVER .R4*	1.4 A	0.7 A

\* Option



Side View



Back View

\* Specifications subject to change without notice or obligation. Contact Girbau Industrial at (800) 256-1073 for dimensions not shown or for clarification.