

CP32130

COMPACTPRO 5-IN-ONE IRONING SYSTEM

Engineered for medium- and high-volume laundries where space is at a premium, the CompactPro 5-in-One Ironing System not only features a compact design, it quickly feeds, irons, folds, stacks and accumulates at speeds of up to 49-feet-per-minute — improving PPOH.



FEED The Compact automatically adjusts feeding speed for one or two operators.



DRY The Compact's heat output allows for ironed linens without dryer preconditioning.



IRON The Compact's roller surface and interwoven straps ensure a high-quality and consistent finish.



FOLD The Compact can fold up to 3 cross folds using 1 lane and up to 2 cross folds using 2 lanes.



STACK & ACCUMULATE The stacker delivers consistent, high-quality stacks.

PRODUCT FEATURES

COMPACT DESIGN

- Less space required for installation
- Increase production within a small space

CAPABILITY TO PROCESS LARGE ITEMS

- Processes large and king-sized pieces in a compact machine
- Feeds a large array — both size & shape — of linen
- Offers a wider range of laundering services to the customer
- Processes large dimension items with one operator

INTELI TOUCH-SCREEN CONTROL

- Industrial touch screens
- Intuitive icons rather than text
- Durable design
- Easy-to-use and versatile

CROSS-FOLD DESIGN

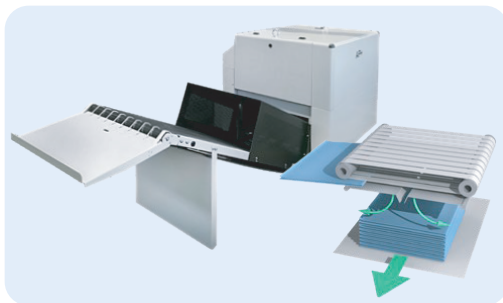
- More control over the linen
- Adapts for varying fabric thicknesses
- The high position of the cross platform and access windows allow for easier maintenance and more control, visibility and accessibility of parts and linen
- Easy maintenance
- Reduced downtime

ACCESSIBILITY

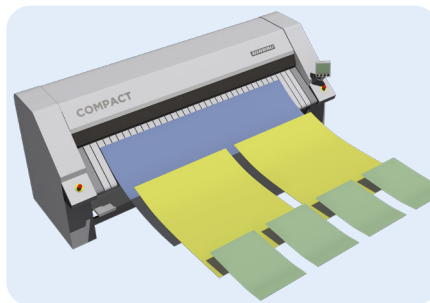
- Quick access to common parts
- Increased visibility of linen improving quality control

AUTOSPEED MODE

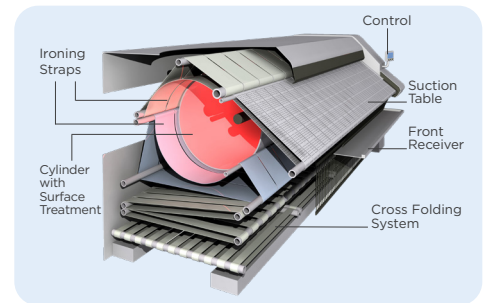
- Maintains an even and stable temperature throughout ironing process
- Linen is perfectly dried in one pass



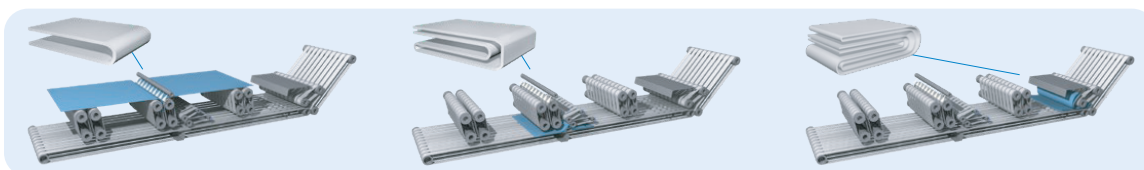
DROP PLATE STACKER



PROCESS A VARIETY OF ITEMS



CROSS-FOLD DESIGN



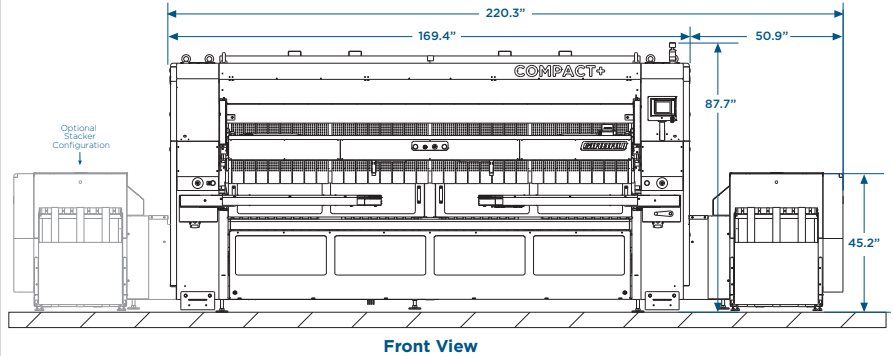
CROSS-FOLDING

CP32130

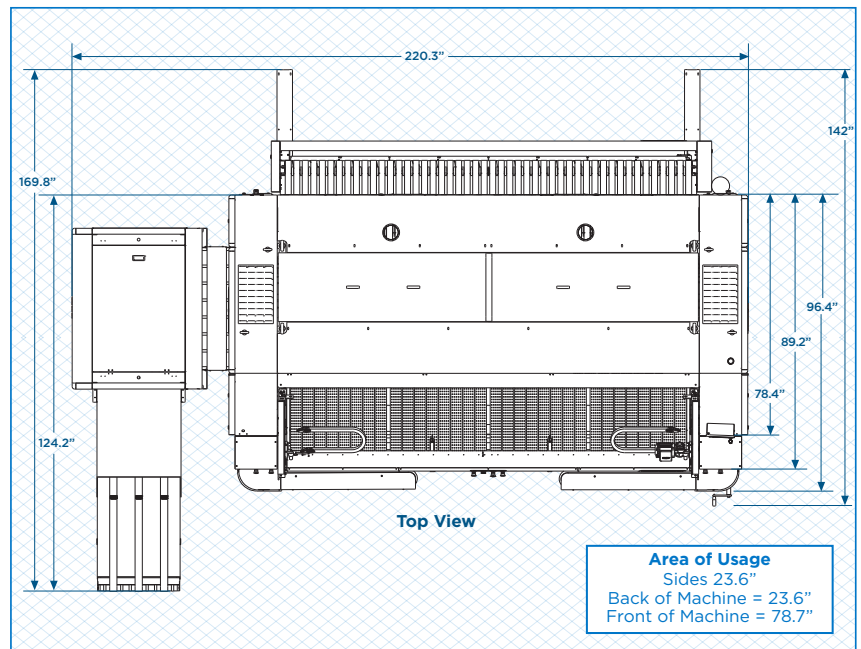
COMPACTPRO 5-IN-ONE IRONING SYSTEM

PRODUCT SPECS

Cylinder Diameter <i>inch</i>	32
Usable Cylinder Width <i>inch</i>	130
Evaporation Capability <i>gal/h</i>	31.7
Ironing Speed <i>ft/min</i>	13-49
Net Weight <i>lbs (machine only)</i>	9240
Crated Weight <i>lbs (machine only)</i>	9921
Machine Width <i>inch</i> machine only	169.4
with stacker	220.3
Machine Depth <i>inch</i> machine only	89.2
with stacker	124.2
with feeder & accumulator	142
with accumulator & stacker	169.8
Machine Height <i>inch</i>	87.7
Shipping Dimensions <i>inch</i> WxDxH	198.8 x 86.6 x 85.8
Feed Height <i>inch</i>	43.3
Electrical Draw <i>Amp</i>	see table below
Exhaust Diameter (x2) <i>inch</i>	4.9
Exhaust Pressure <i>inch W.C.</i>	1.18
Minimum Exhaust Pressure <i>cfm</i>	647 per lane
Gas Connection <i>inch</i> Natural	1
Propane	3/4
Gas Heating <i>BTU/h</i>	481,236
Required Inlet Gas Pressure <i>PSI</i>	2-3
Burner supply pressure (dynamic) <i>inch W.C.</i>	8 W.C.
Compressed Air Connection <i>inch</i>	1/2 NPT ID
Compressed Air Flow <i>cfm</i>	14.2 @ 87-145 PSI



Front View



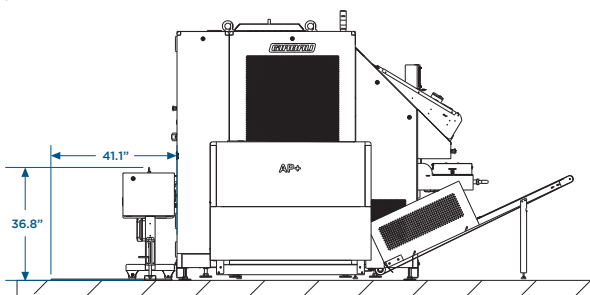
Top View

Area of Usage
Sides 23.6"
Back of Machine = 23.6"
Front of Machine = 78.7"

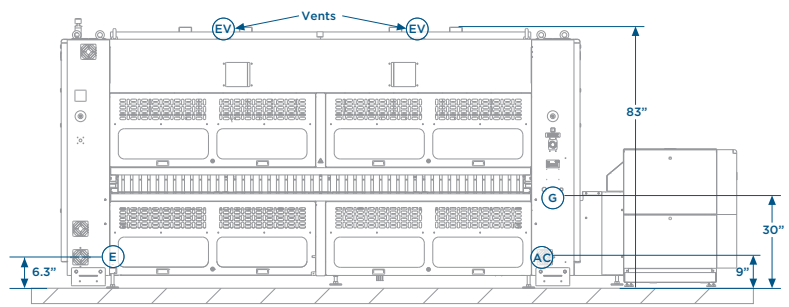
ELECTRICAL CONSUMPTION

	208V - 240V	440V - 480V
CP24	21.5 A	10.1 A
CP32	21.5 A	10.1 A
1AP+ STACKER*	3.1 A	1.5 A
FEEDER DRX1*	2.5 A	1.2 A
REAR RECEIVER .R4*	1.4 A	0.7 A

* Option



Side View



Back View

* Specifications subject to change without notice or obligation. Contact Girbau Industrial at (800) 256-1073 for dimensions not shown or for clarification.